

[54] TOY DUMP TRUCK

[76] Inventor: Martin Blumenthal, 99 Longview Ave., Chatham, N.J. 07928

[\*\*] Term: 14 Years

[21] Appl. No.: 533,370

[22] Filed: Sep. 19, 1983

[52] U.S. Cl. D21/134

[58] Field of Search D21/76, 78, 79, 80, D21/81, 128, 131, 132, 133, 134, 135, 136, 137, 139, 140; 280/87.01, 87.02 R, 87.1, 87.2; 446/440, 451, 465, 466

[56] References Cited

U.S. PATENT DOCUMENTS

- D. 187,932 5/1960 Selby D21/134
- D. 242,734 12/1976 Breneman et al. D21/134

- D. 252,892 9/1979 Shigenori D21/134
- D. 253,186 10/1979 Fratarcangeli D21/135
- D. 258,972 4/1981 Samuels D21/134
- D. 264,106 4/1982 Orenstein D21/134

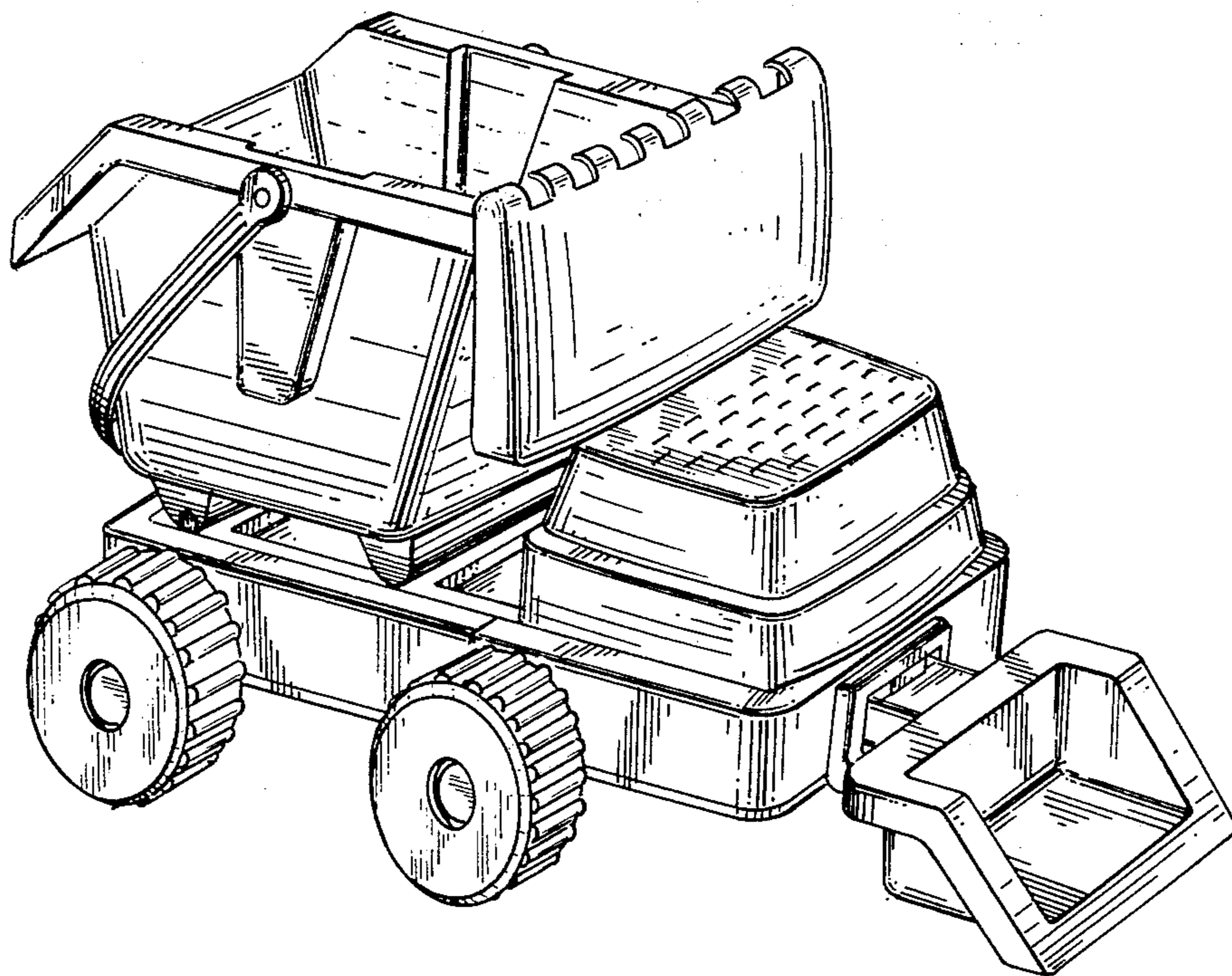
Primary Examiner—Charles A. Rademaker  
Attorney, Agent, or Firm—George E. Kersey

[57] CLAIM

The ornamental design for a toy dump truck, as shown and described.

DESCRIPTION

FIG. 1 is a front perspective view of a toy dump truck showing my new design;  
 FIG. 2 is a side elevational view thereof, the side opposite being substantially a mirror image;  
 FIG. 3 is a front elevational view thereof;  
 FIG. 4 is a rear elevational view thereof;  
 FIG. 5 is a top plan view thereof; and,  
 FIG. 6 is a bottom plan view thereof.



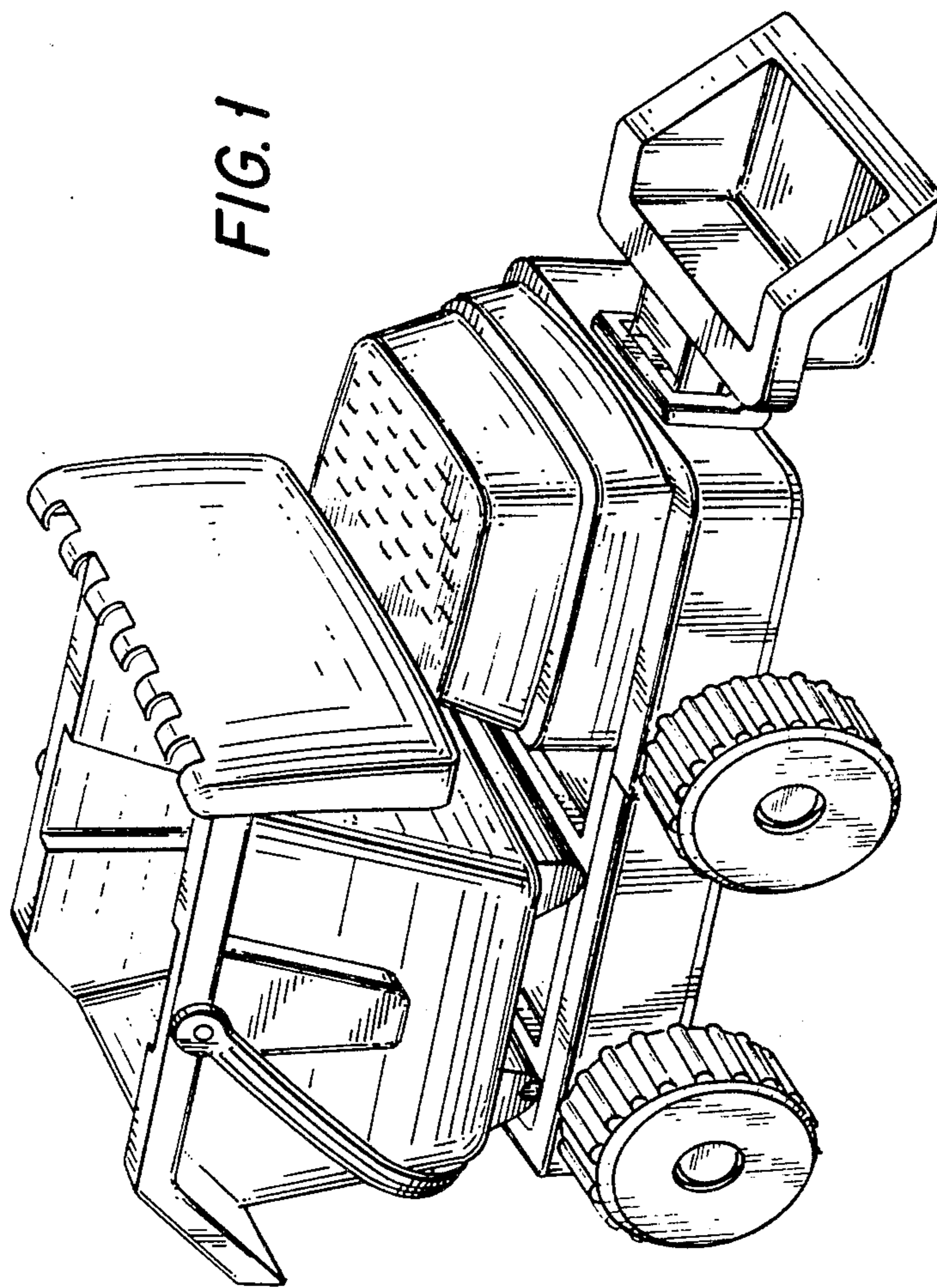


FIG. 1

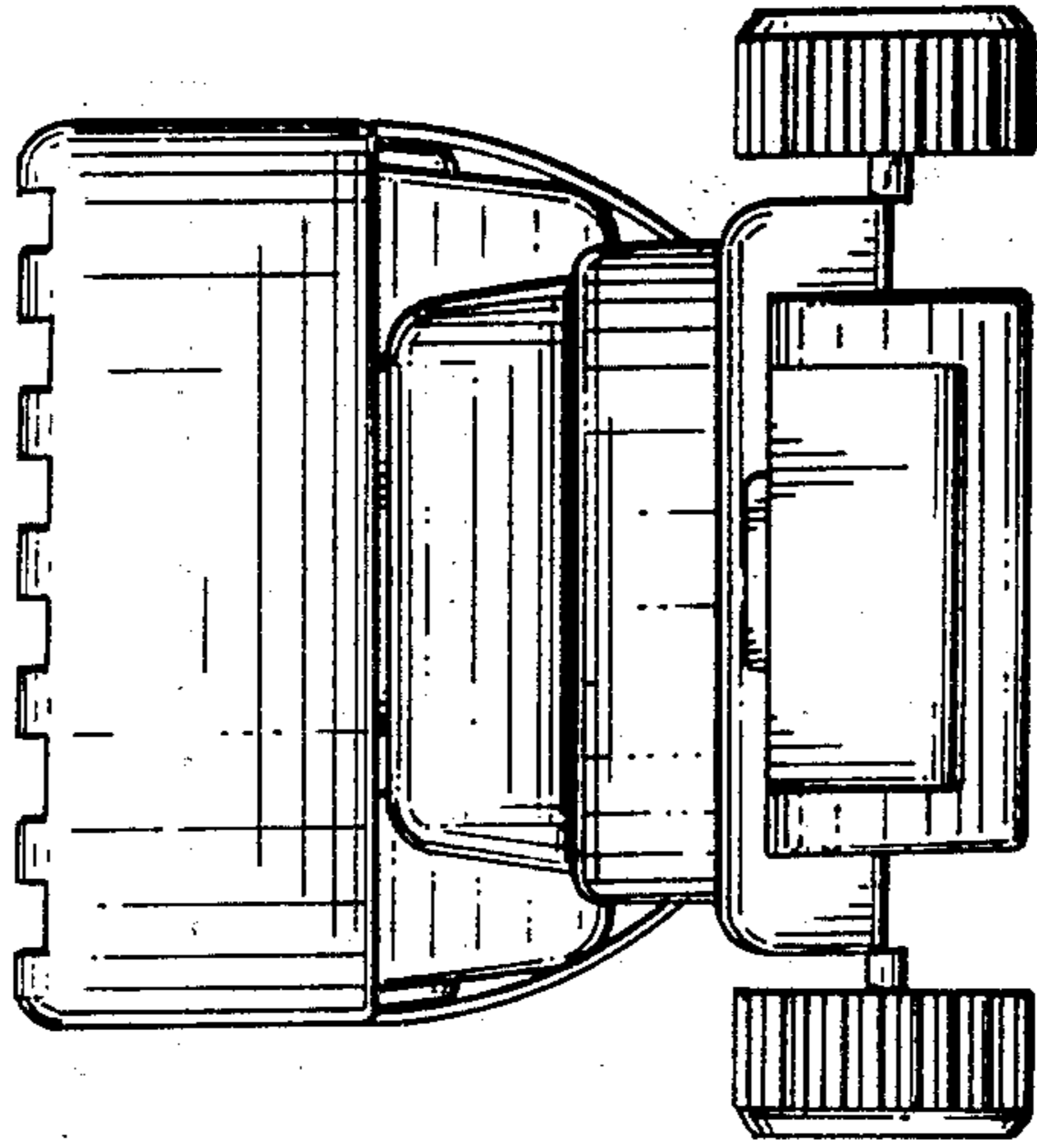


FIG. 2

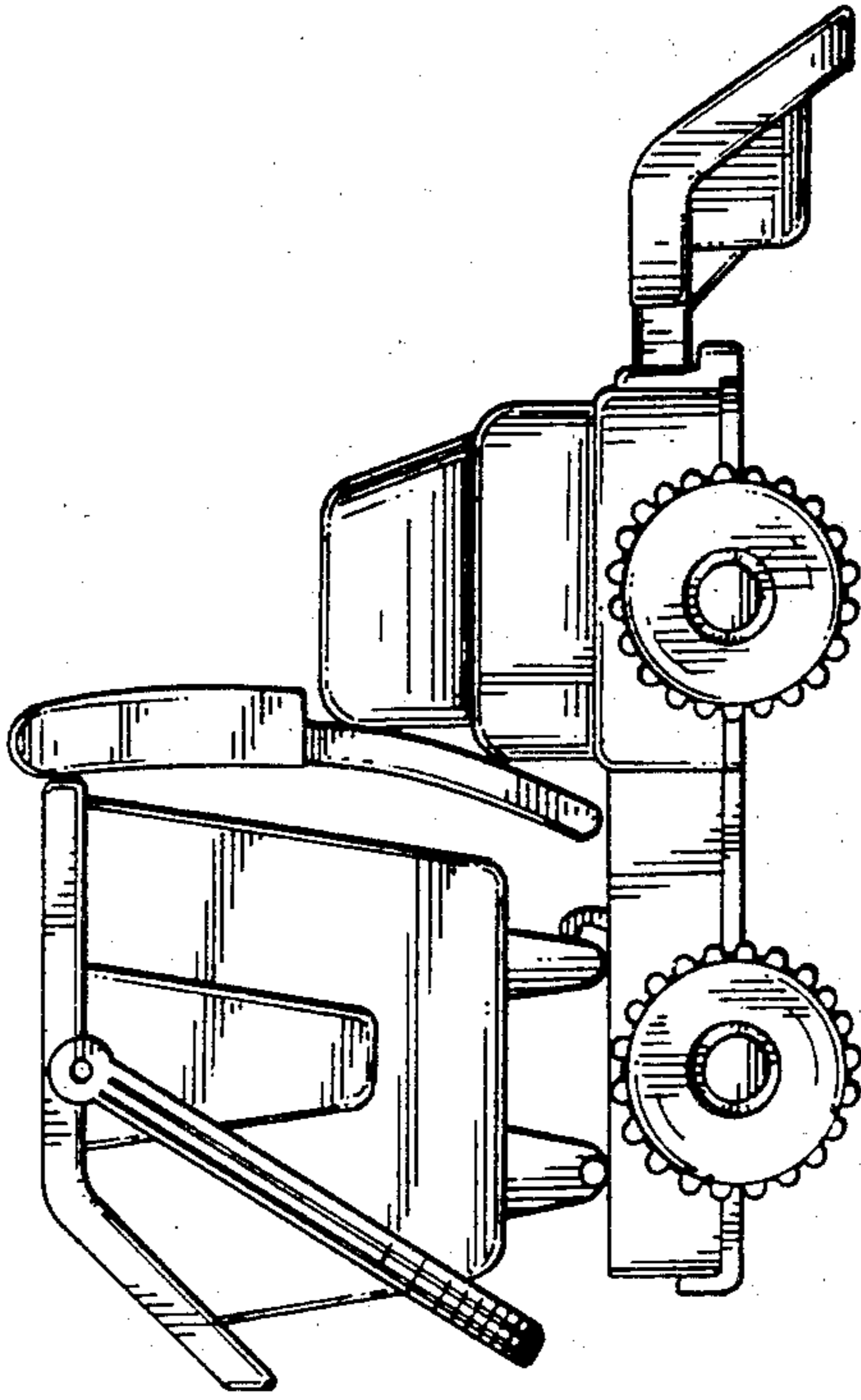


FIG. 3

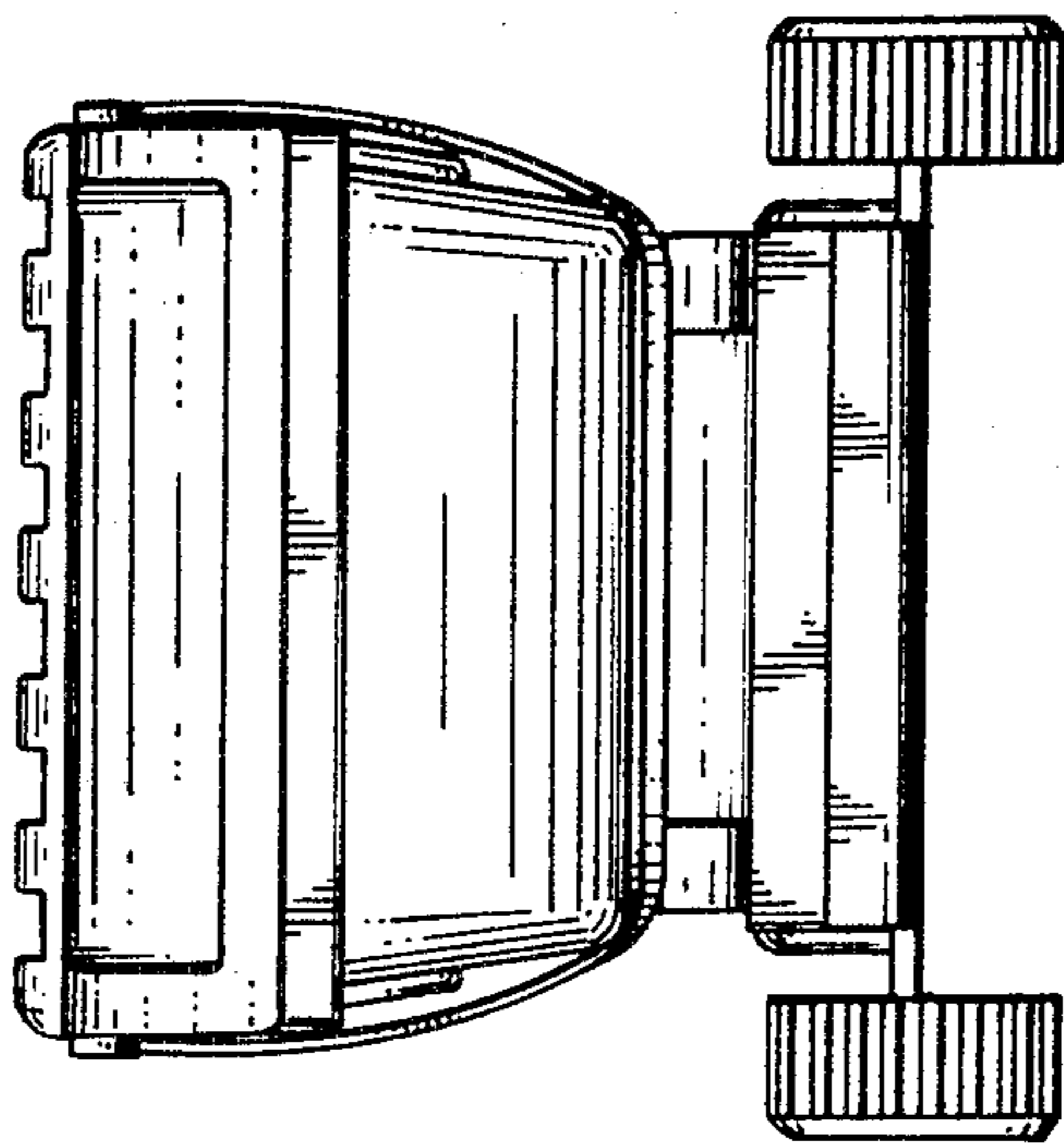


FIG. 4

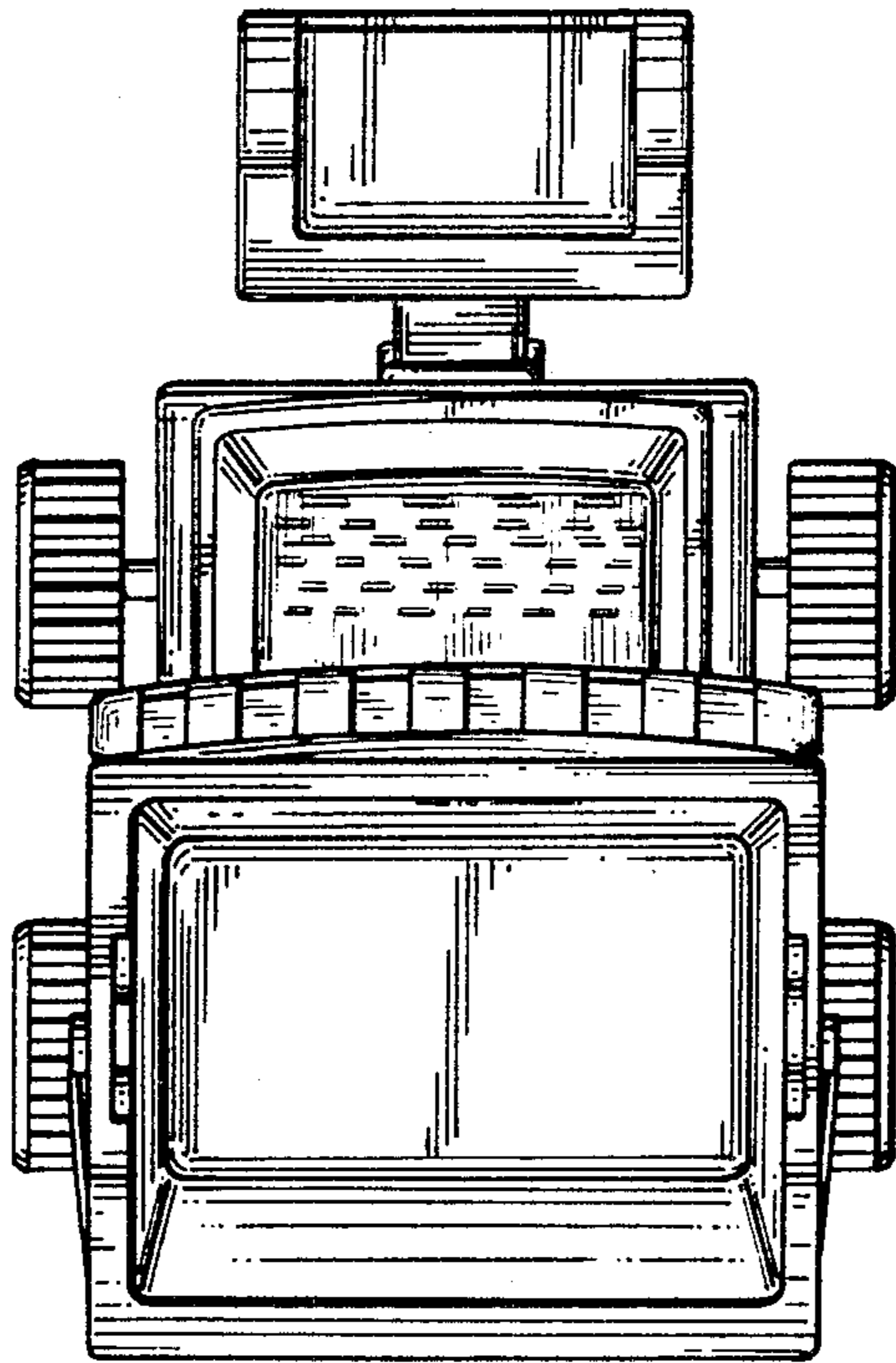


FIG. 5

FIG. 6

