

[54] RECONFIGURABLE RADIO CASSETTE RECORDER TOY

[75] Inventor: Hiroyuki Obara, Tokyo, Japan

[73] Assignee: Takara Co., Ltd., Tokyo, Japan

[\*\*] Term: 14 Years

[21] Appl. No.: 649,439

[22] Filed: Sep. 11, 1984

[30] Foreign Application Priority Data

May 30, 1984 [JP] Japan ..... 50-22207

[52] U.S. Cl. .... D21/112; D14/70; D21/59; D21/150; D21/166

[58] Field of Search ..... D21/59, 109, 150, 166; D14/70, 71; 446/72, 71, 146, 376, 390, 487

[56] References Cited

U.S. PATENT DOCUMENTS

- D. 268,755 4/1983 Culbertson ..... D14/70
- D. 276,804 12/1984 Taniguchi et al. .... D14/70
- D. 277,563 2/1985 Murakami et al. .... D14/70
- D. 281,087 10/1985 Ohno ..... D21/166
- D. 283,335 4/1986 Matsuda ..... D21/150

FOREIGN PATENT DOCUMENTS

55-1662 1/1980 Japan ..... 446/487

Primary Examiner—Charles A. Rademaker  
Attorney, Agent, or Firm—Price, Gess & Ubell

[57] CLAIM

The ornamental design for a reconfigurable radio cassette recorder toy, as shown and described.

DESCRIPTION

FIG. 1 is a front perspective view of a reconfigurable radio cassette recorder toy showing my new design; FIG. 2 is a front elevational view thereof; FIG. 3 is a rear elevational view thereof; FIG. 4 is a top plan view thereof; FIG. 5 is a bottom plan view thereof; FIG. 6 is a right side elevational view thereof, the side opposite being a mirror image; FIG. 7 is another front perspective view of the design shown in FIGS. 1 through 6 in a humanoid robot configuration; FIG. 8 is a front elevational view thereof; FIG. 9 is a rear elevational view thereof; FIG. 10 is a top plan view thereof; FIG. 11 is a bottom plan view thereof; and, FIG. 12 is a right side elevational view thereof, the side opposite being a mirror image.

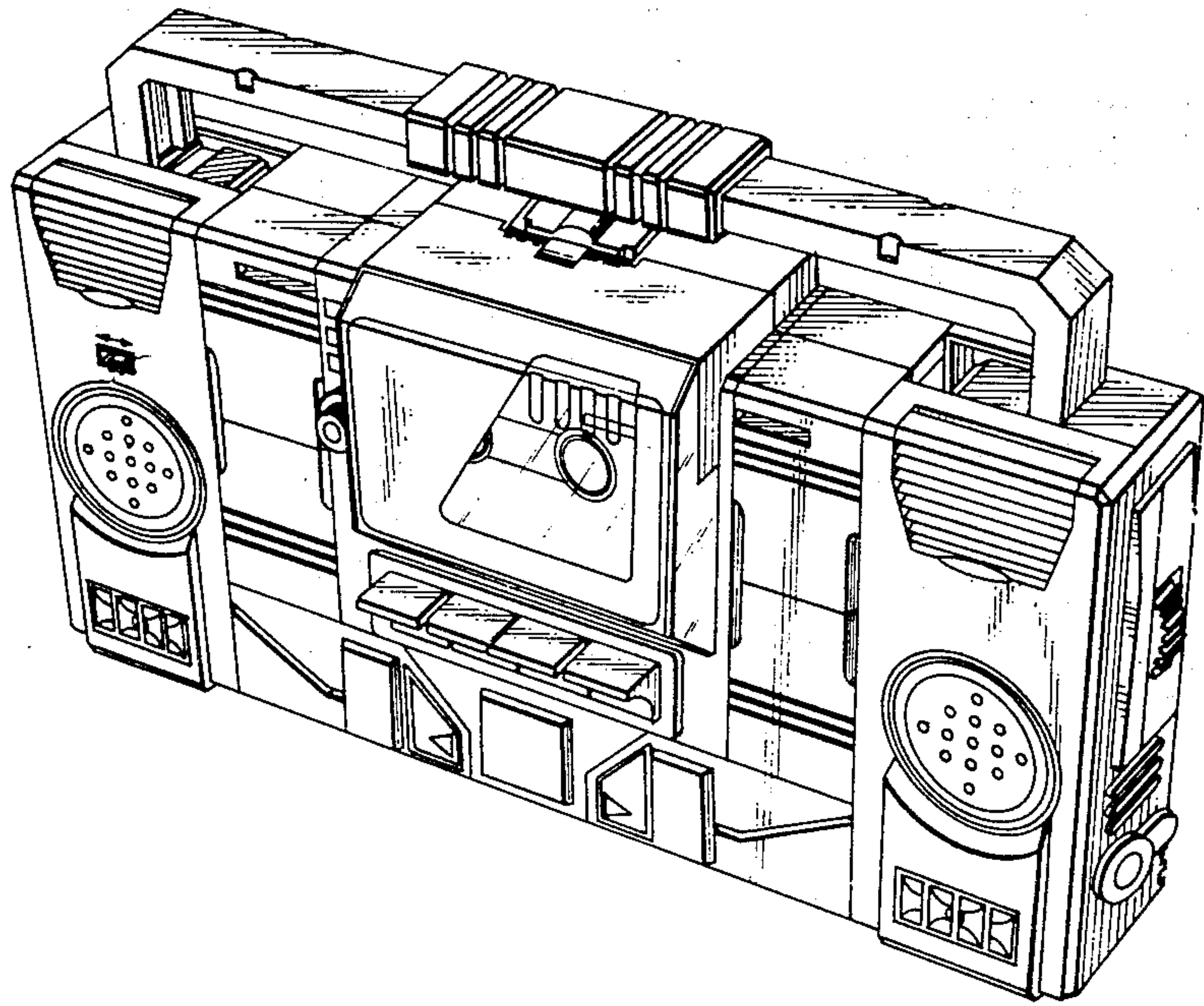


FIG.1

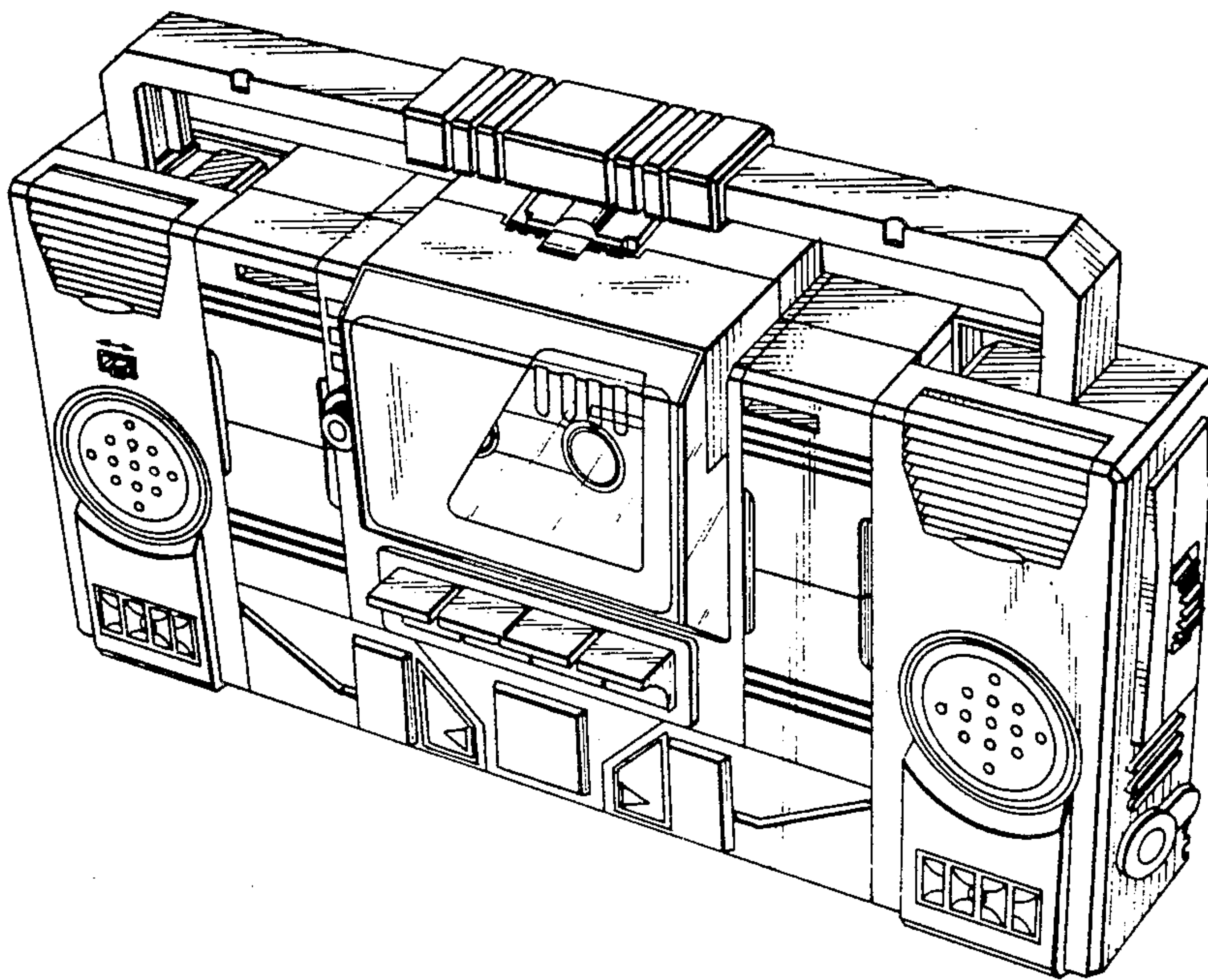


FIG.2

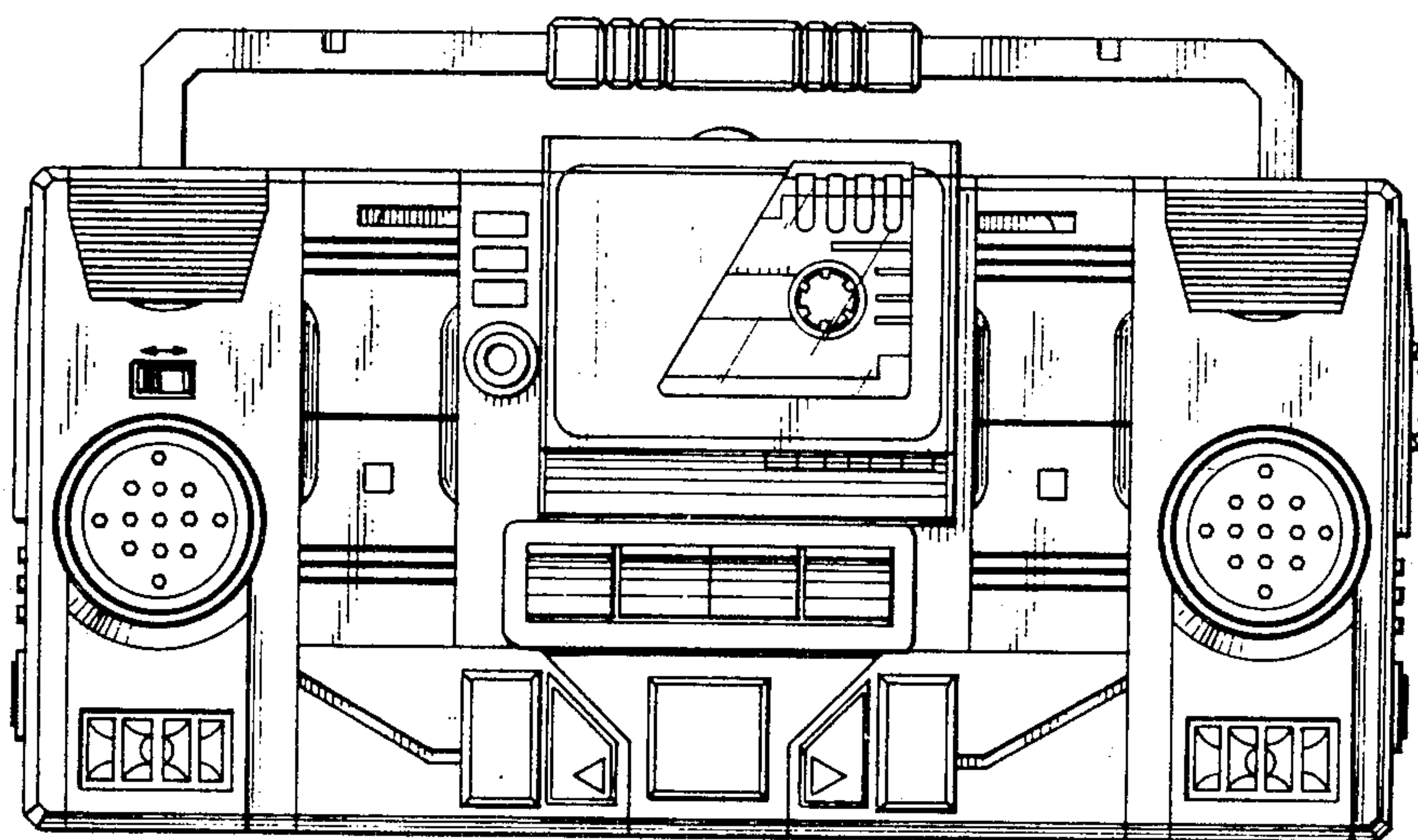




FIG.3

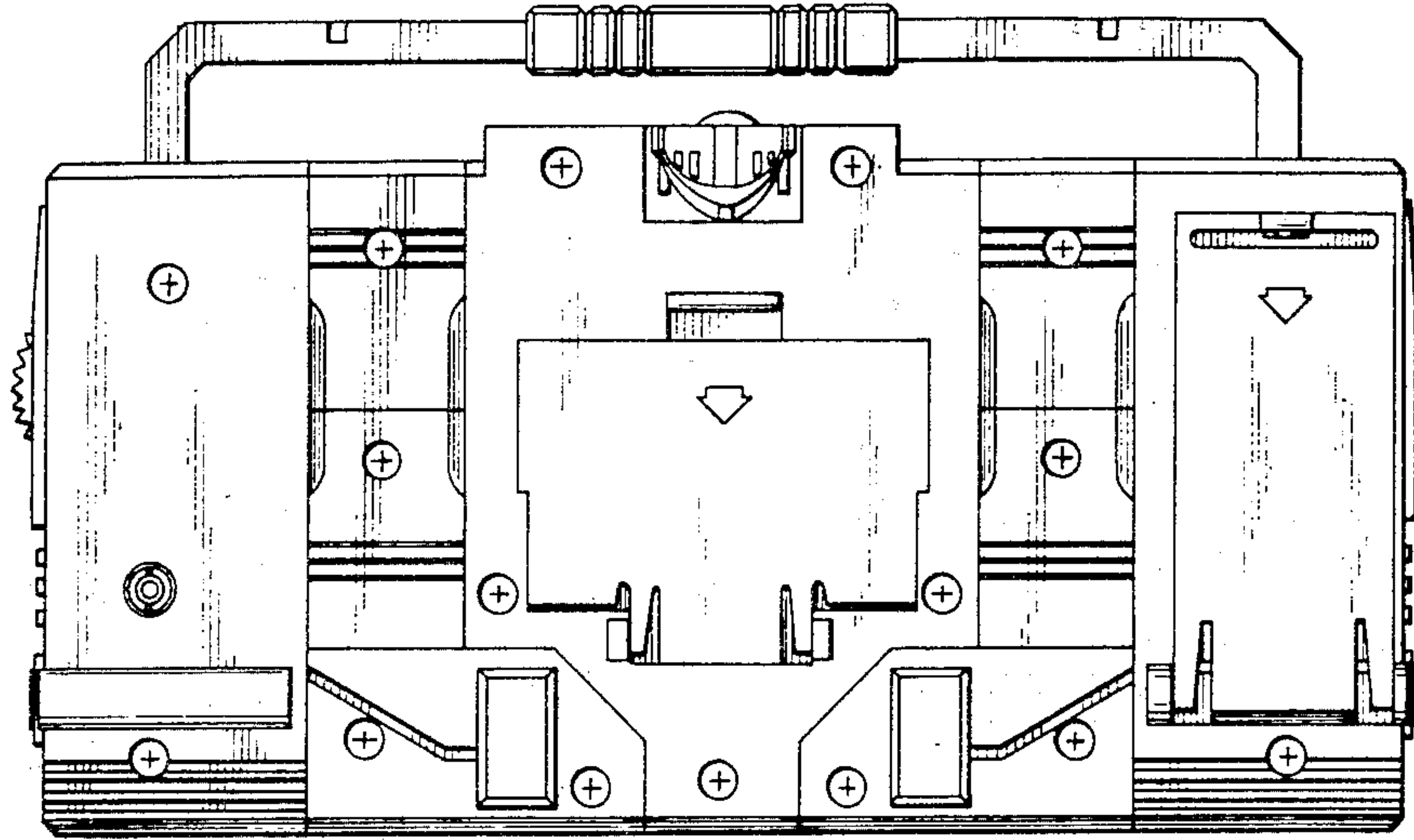


FIG.4

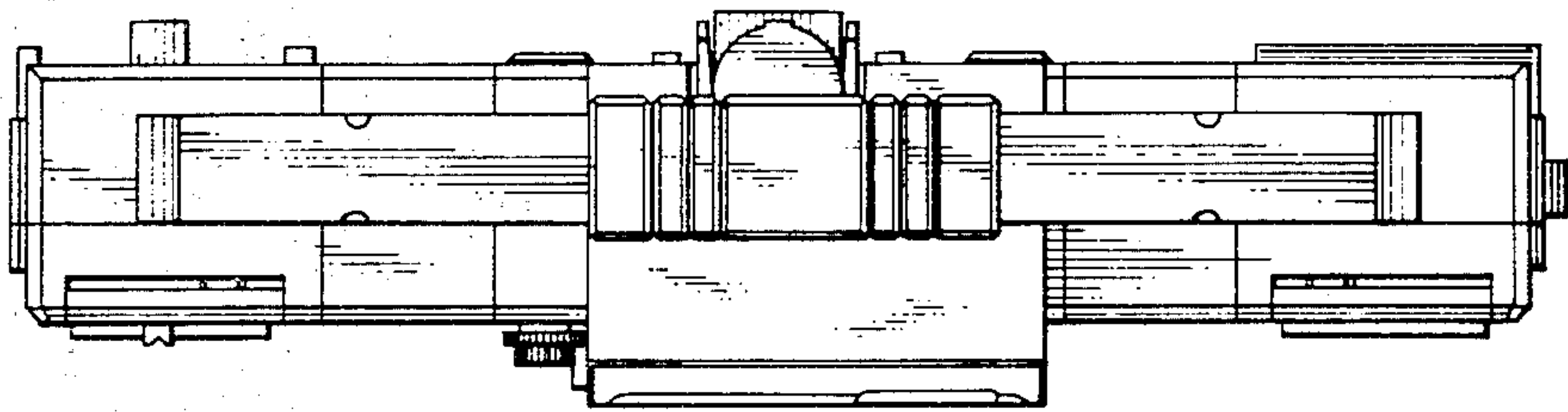


FIG.5

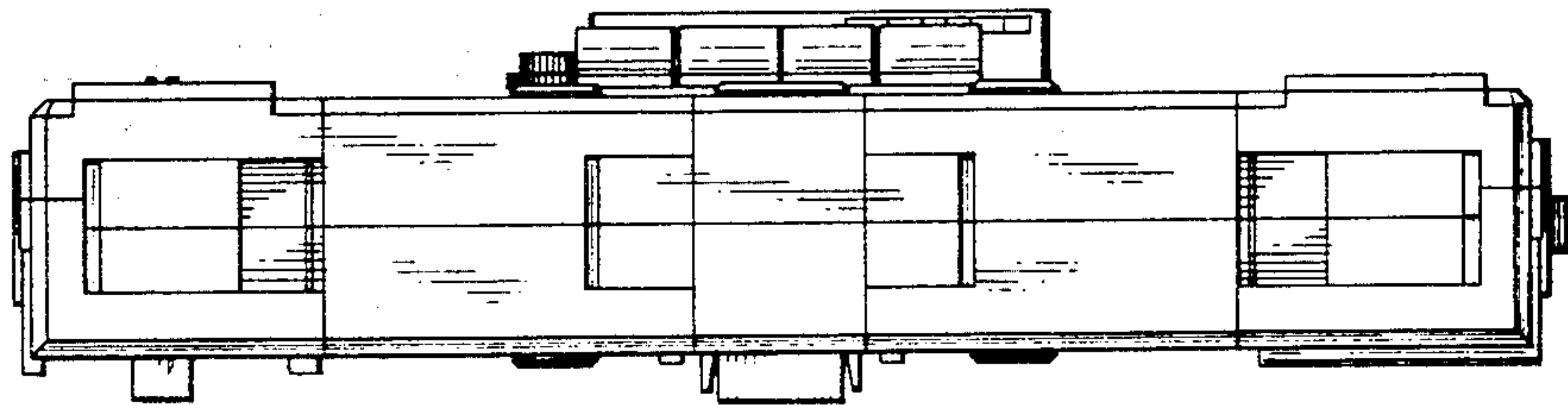


FIG.6

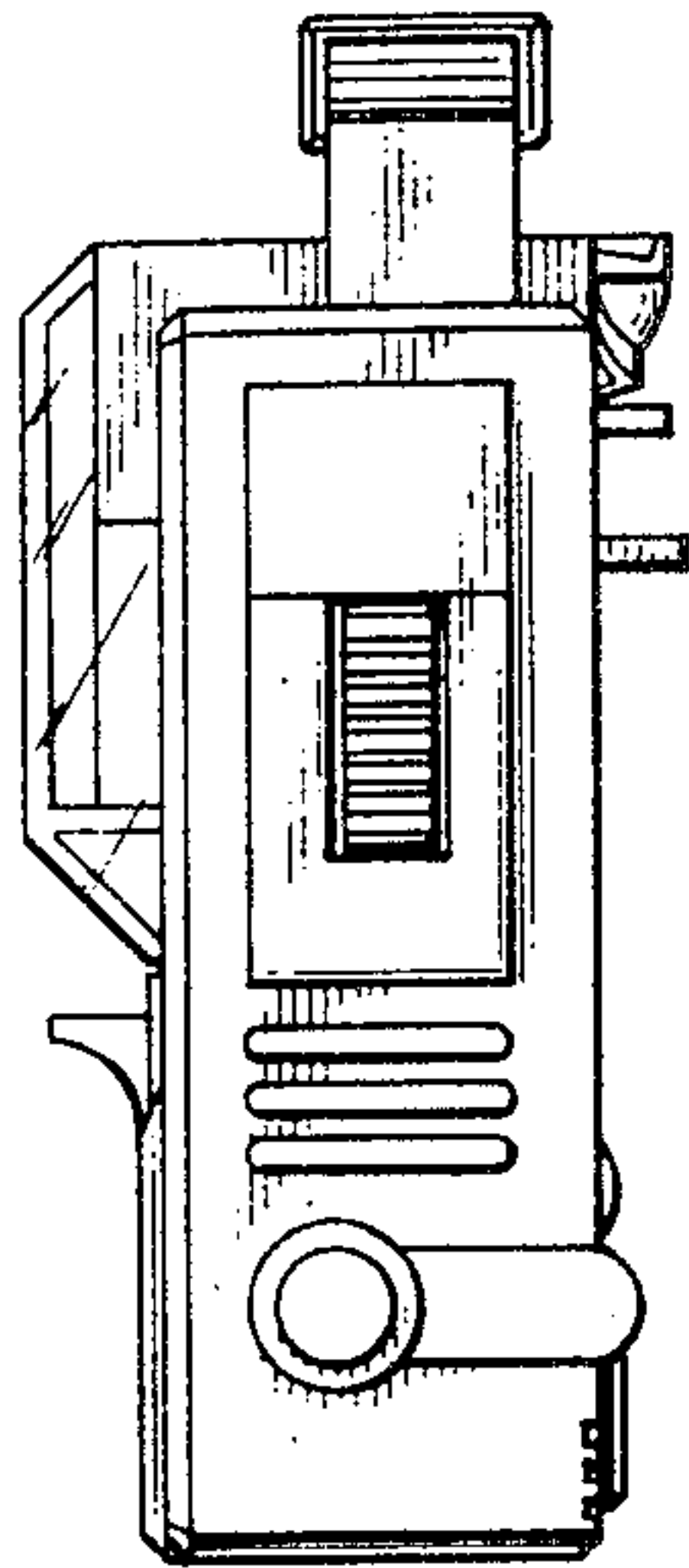


FIG.7

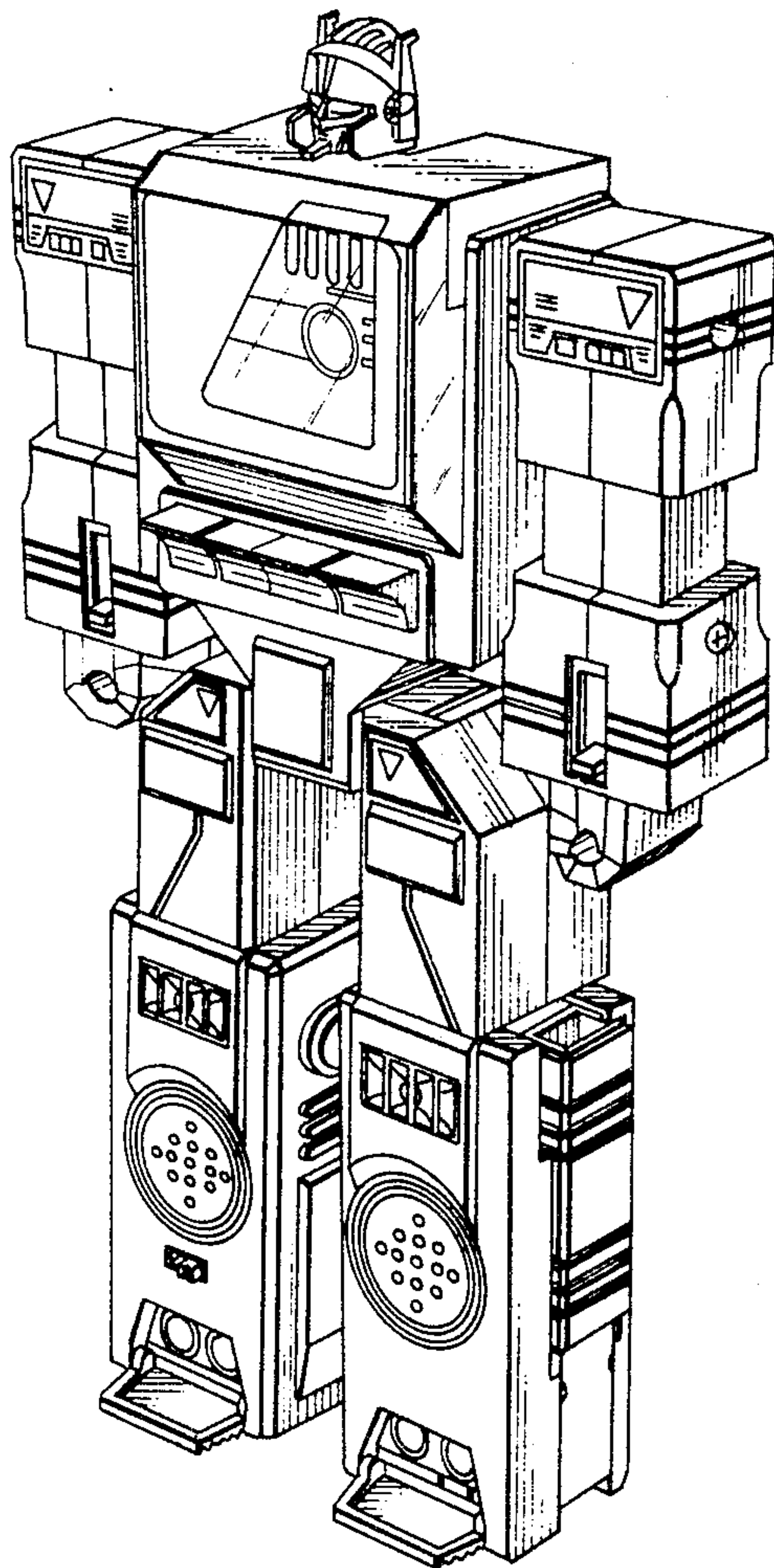


FIG. 9

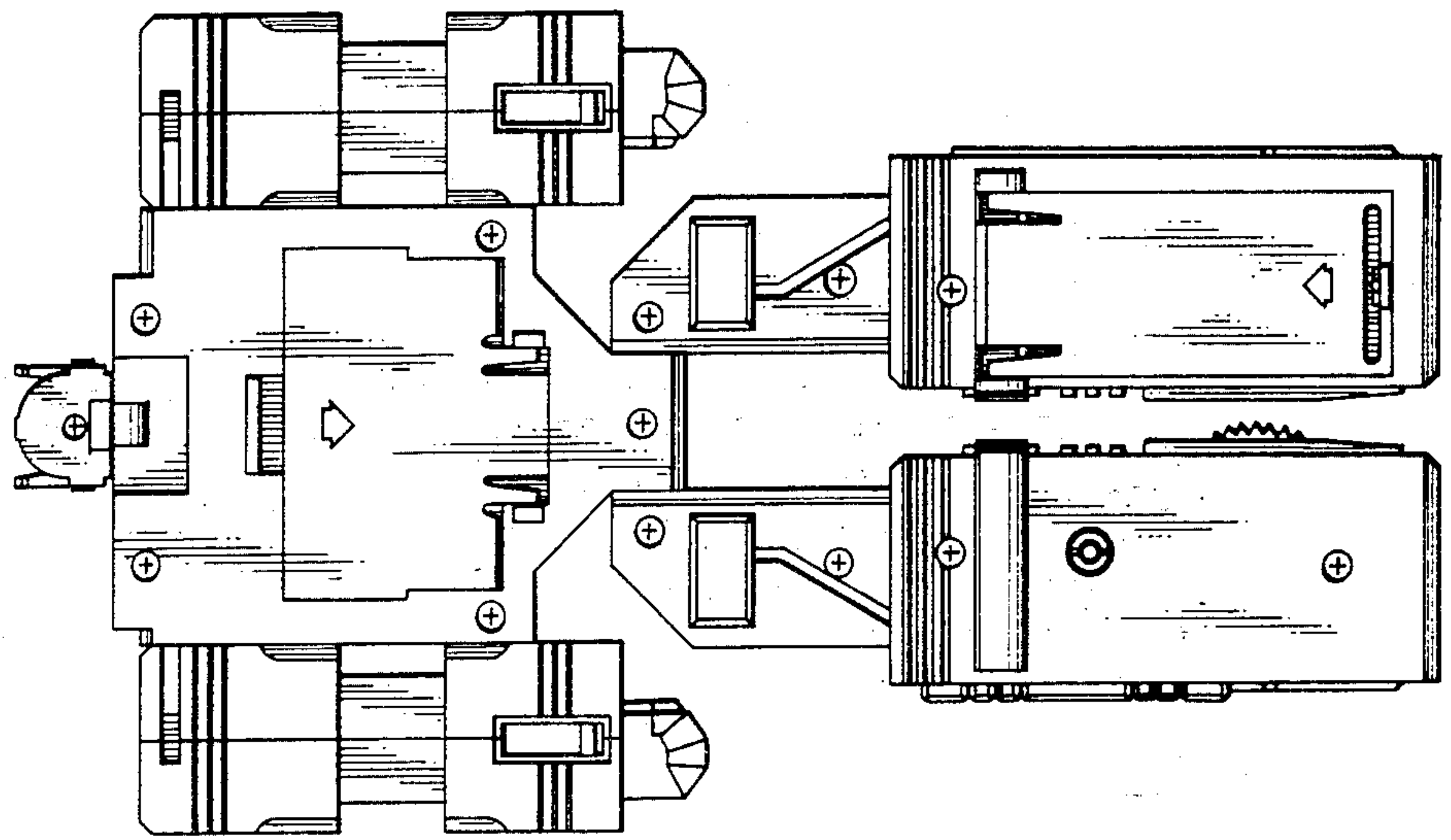


FIG. 8

