

[54] RECONFIGURABLE MICROSCOPE TOY

[75] Inventor: Hideaki Yoke, Tokyo, Japan

[73] Assignee: Takara Co., Ltd., Tokyo, Japan

[\*\*] Term: 14 Years

[21] Appl. No.: 649,471

[22] Filed: Sep. 11, 1984

[30] Foreign Application Priority Data

May 30, 1984 [JP] Japan ..... 59-22184

[52] U.S. Cl. .... D21/109; D16/131; D21/150; D21/166

[58] Field of Search ..... D21/59, 109, 150, 166; D16/131; 446/72, 71, 146, 376, 390, 487

[56] References Cited

U.S. PATENT DOCUMENTS

- D. 233,455 10/1974 Matteo ..... D21/109
- D. 243,601 3/1977 Leeming et al. .... D16/131
- D. 283,335 4/1986 Matsuda ..... D21/150
- 4,192,580 3/1980 Meyer ..... D21/109

FOREIGN PATENT DOCUMENTS

55-1662 1/1980 Japan ..... 446/487

OTHER PUBLICATIONS

FAO Schwarz Catalog, 1975, p. 51, Microscope.

Primary Examiner—Charles A. Rademaker  
Attorney, Agent, or Firm—Price, Gess & Ubell

[57] CLAIM

The ornamental design for a reconfigurable microscope toy, as shown and described.

DESCRIPTION

FIG. 1 is a front elevational view of a reconfigurable microscope toy showing my new design;  
 FIG. 2 is a rear elevational view thereof;  
 FIG. 3 is a top plan view thereof;  
 FIG. 4 is a bottom plan view thereof;  
 FIG. 5 is a right side elevational view thereof, the side opposite being a mirror image;  
 FIG. 6 is a front perspective view of the design shown in FIGS. 1 through 5 in a humanoid robot configuration;  
 FIG. 7 is a front elevational view thereof;  
 FIG. 8 is a rear elevational view thereof;  
 FIG. 9 is a top plan view thereof;  
 FIG. 10 is a bottom plan view thereof;  
 FIG. 11 is a right side elevational view thereof;  
 FIG. 12 is a left side elevational view thereof;  
 FIG. 13 is a front perspective view of the design shown in FIGS. 1 through 5 in a cannon configuration; and,  
 FIG. 14 is another front perspective view thereof with the barrel member in a raised position.

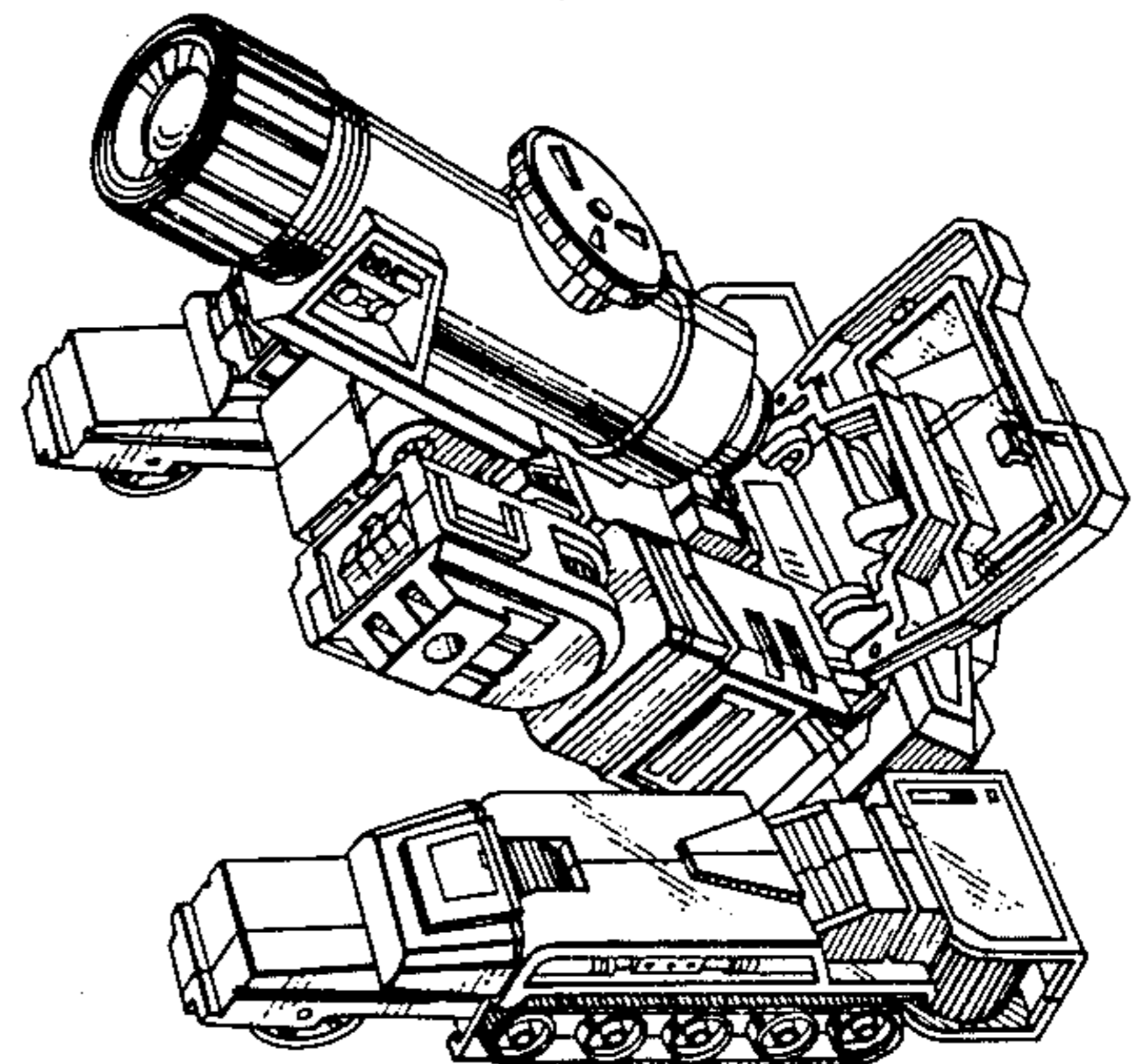
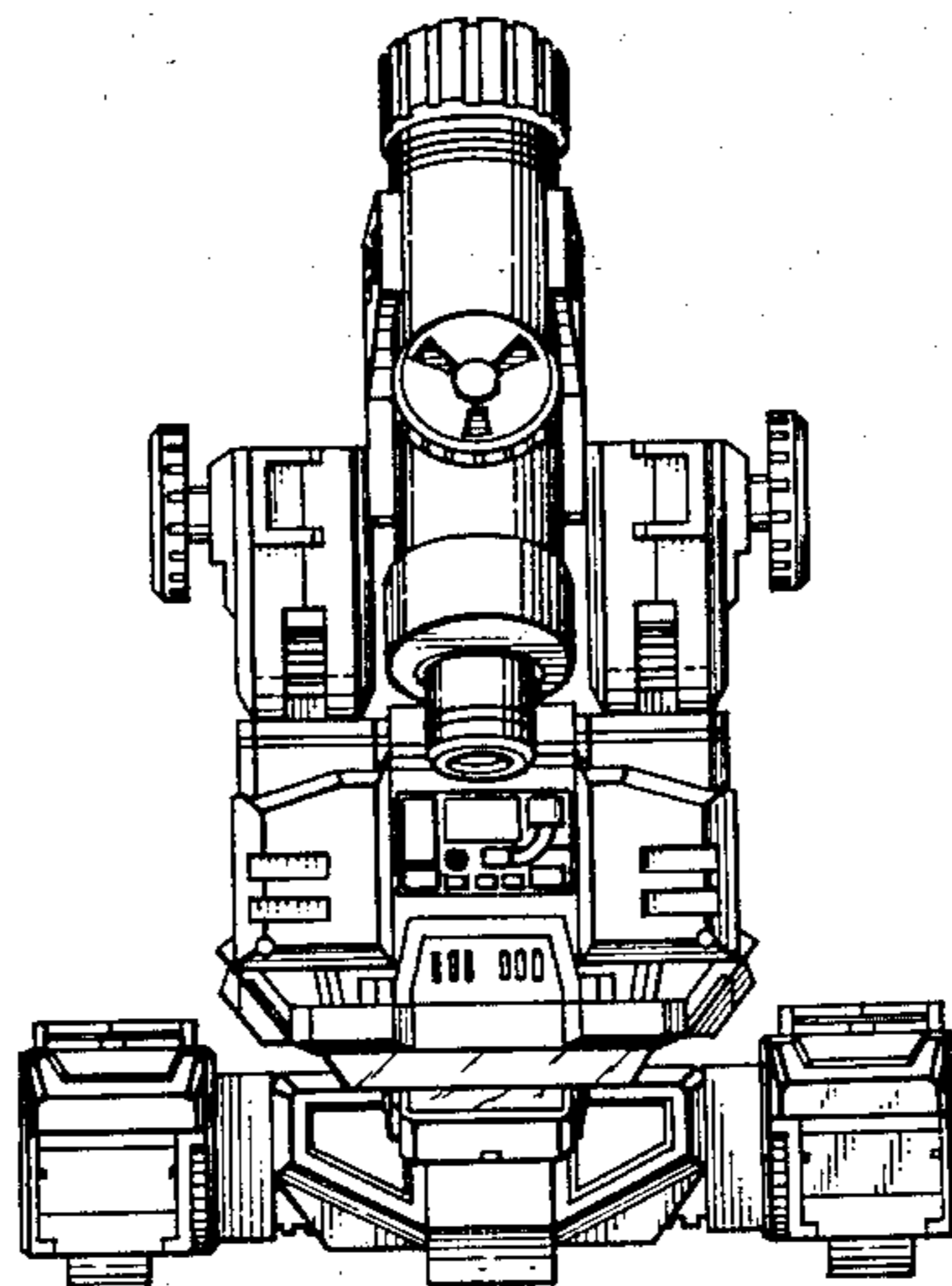
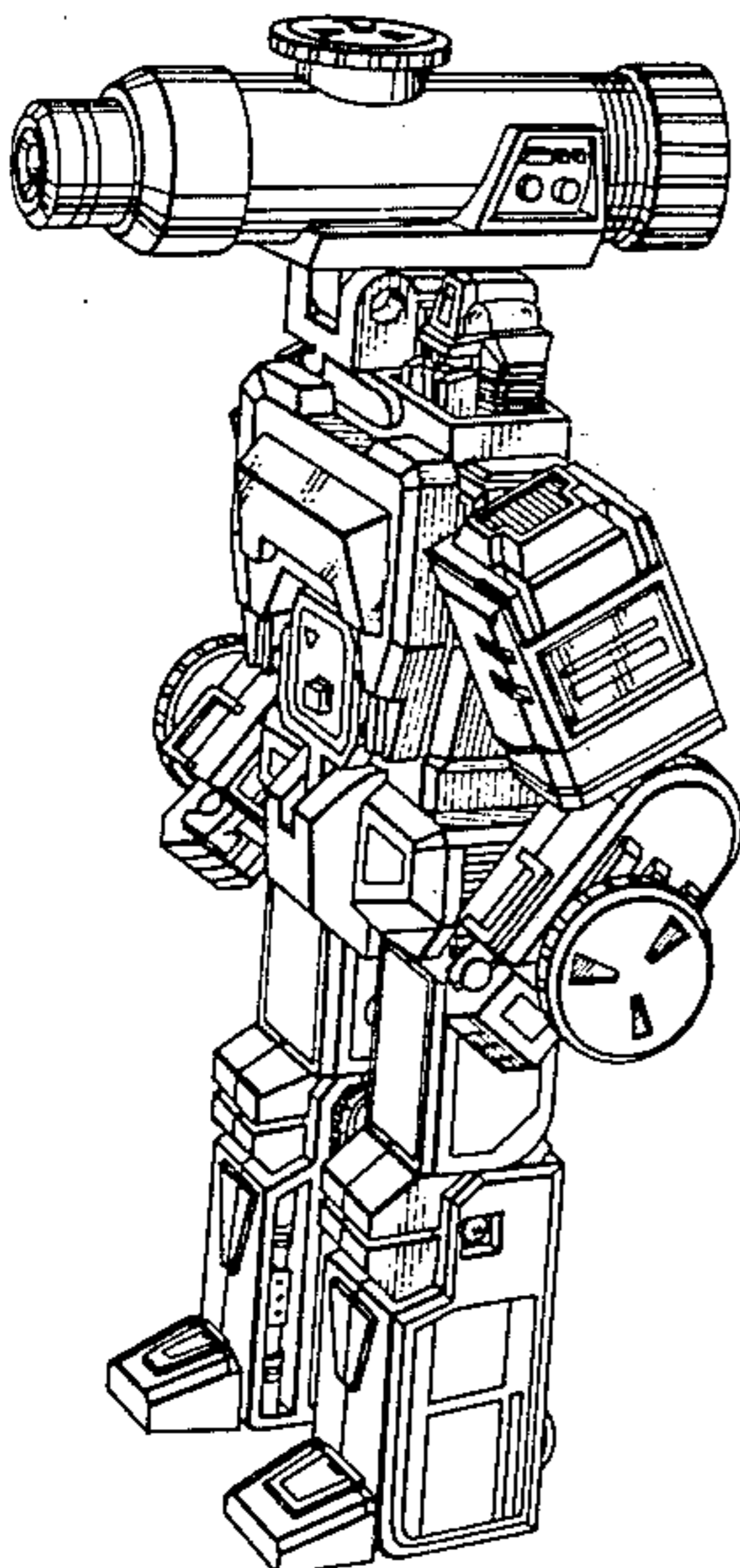


FIG. 2

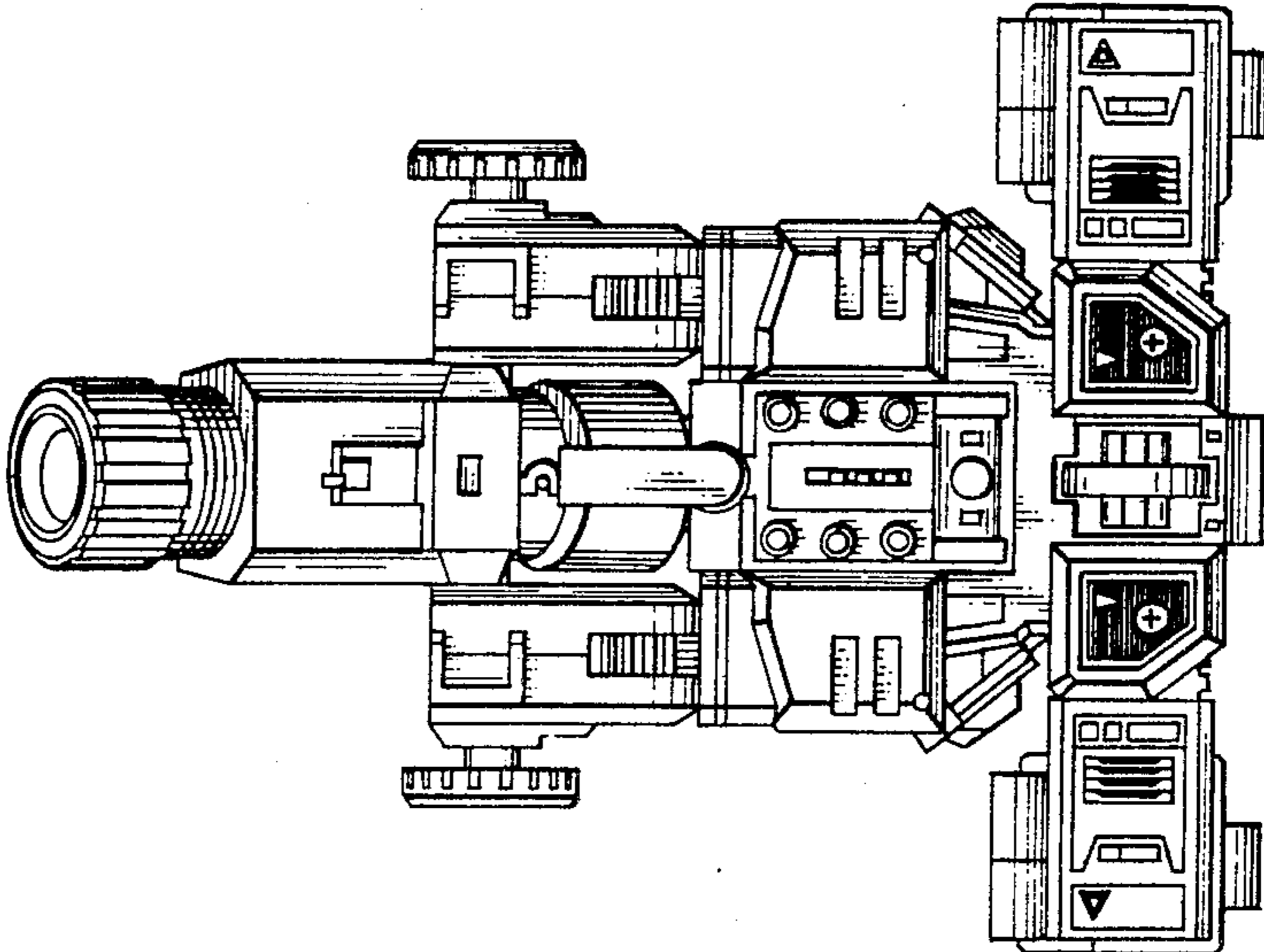


FIG. 1

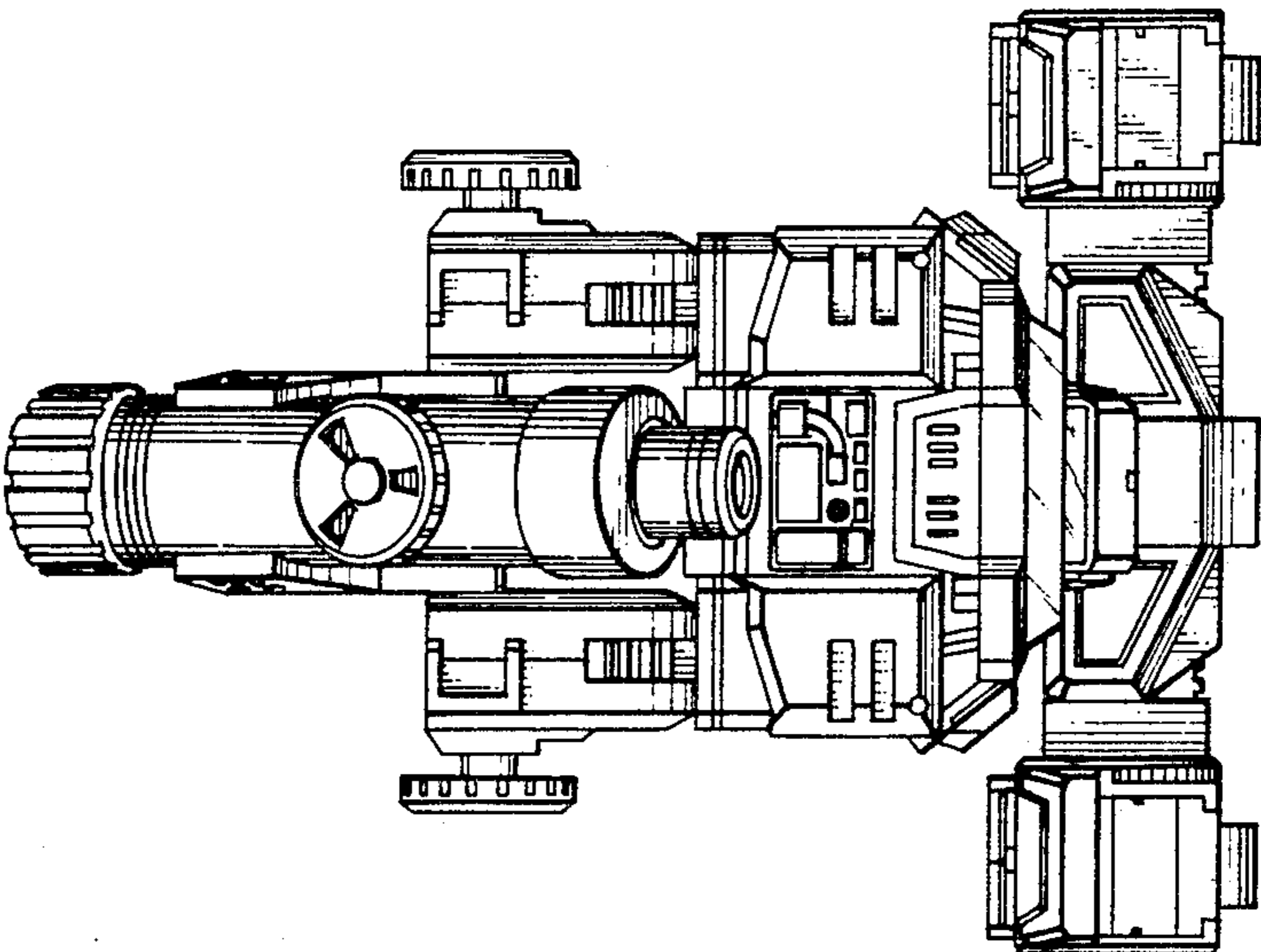


FIG.3

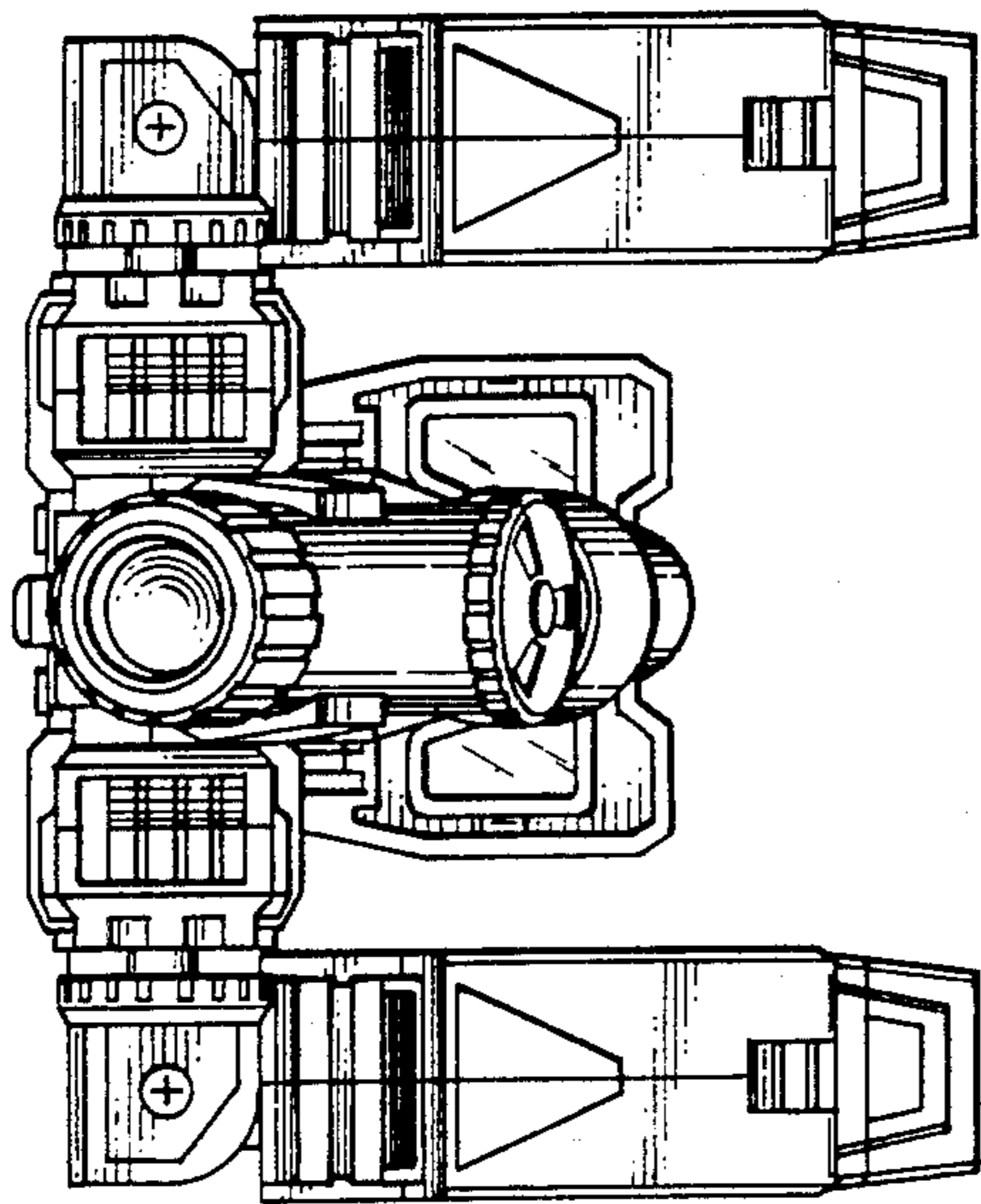


FIG.5

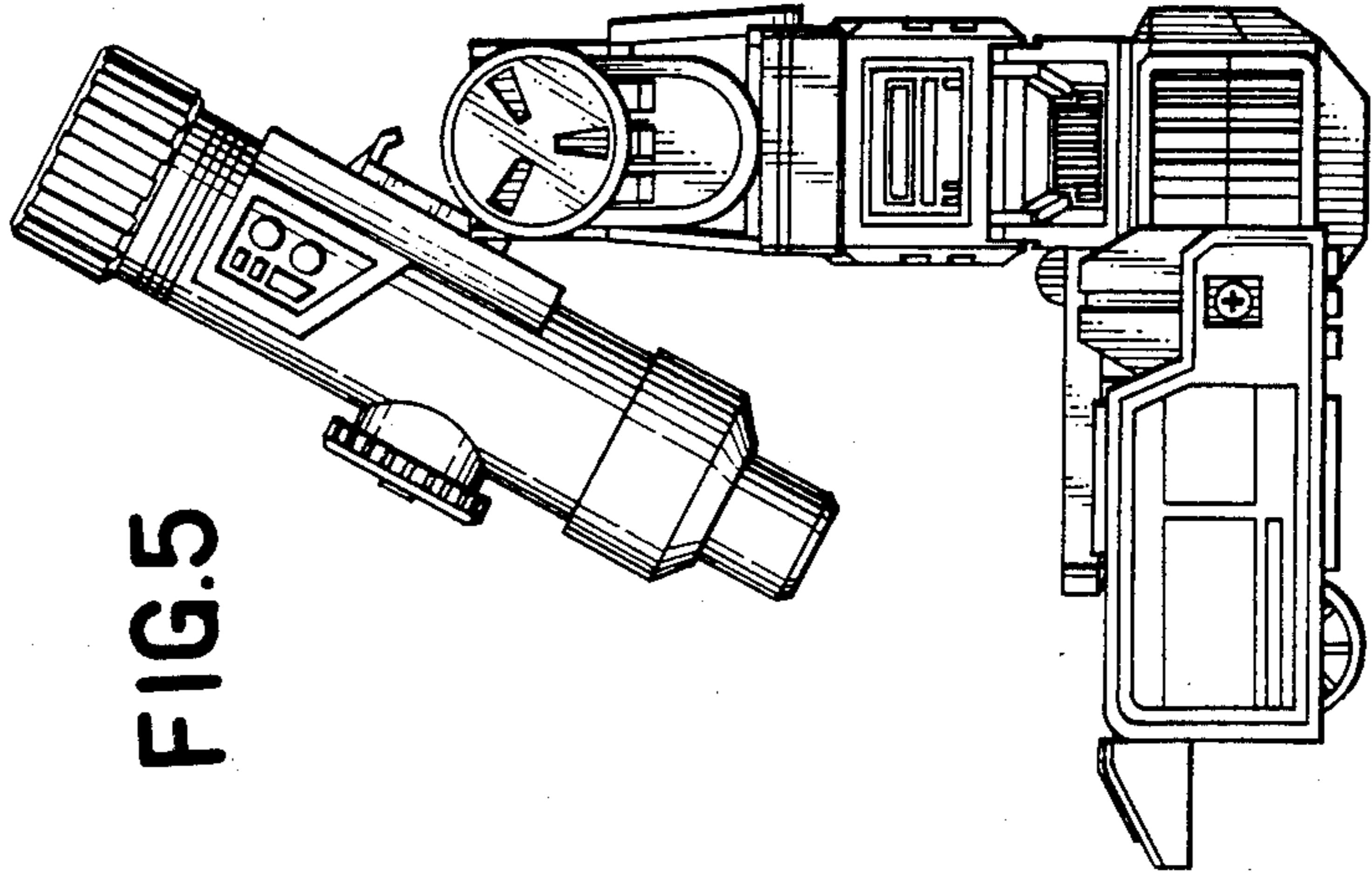


FIG.4

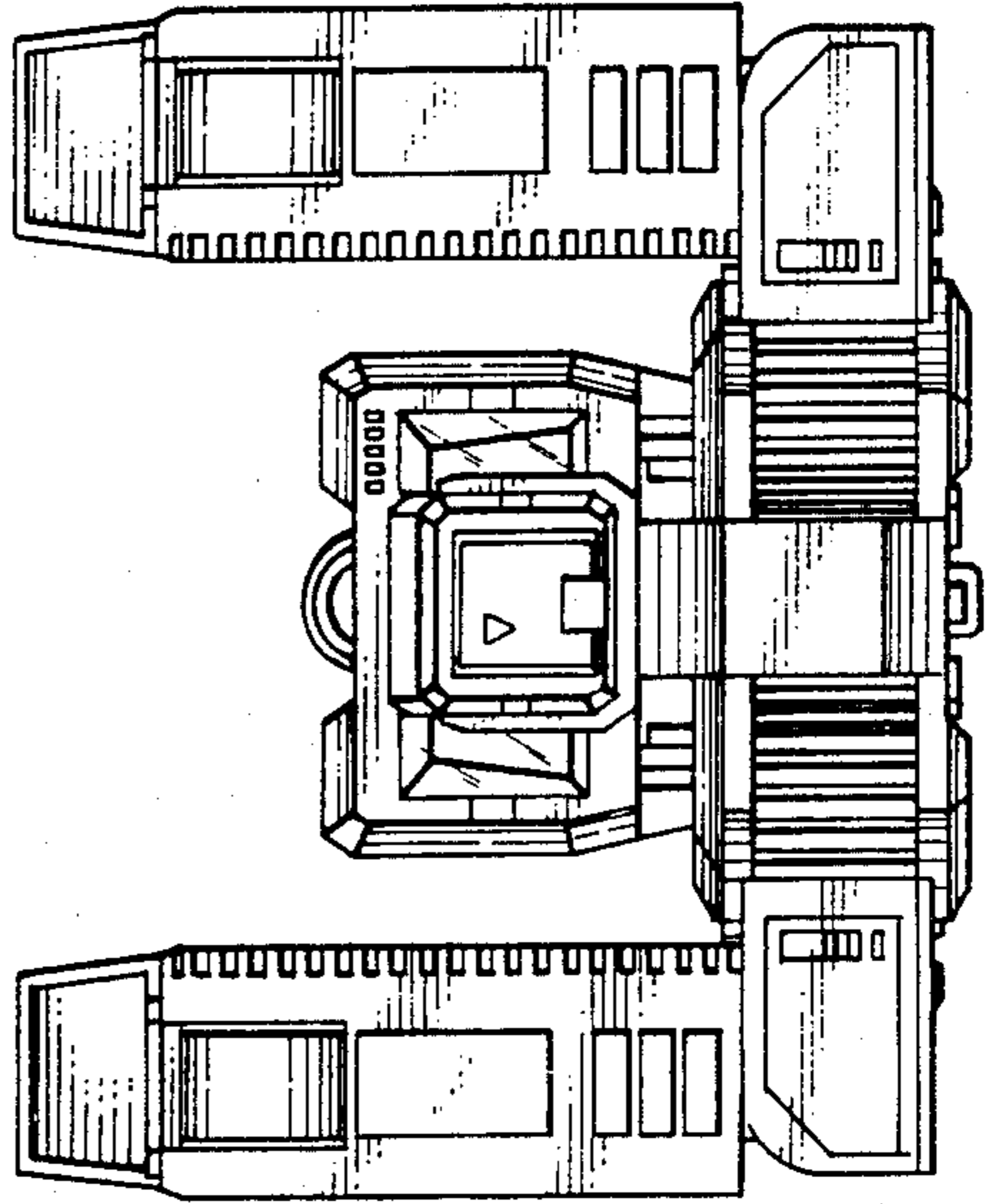


FIG.6

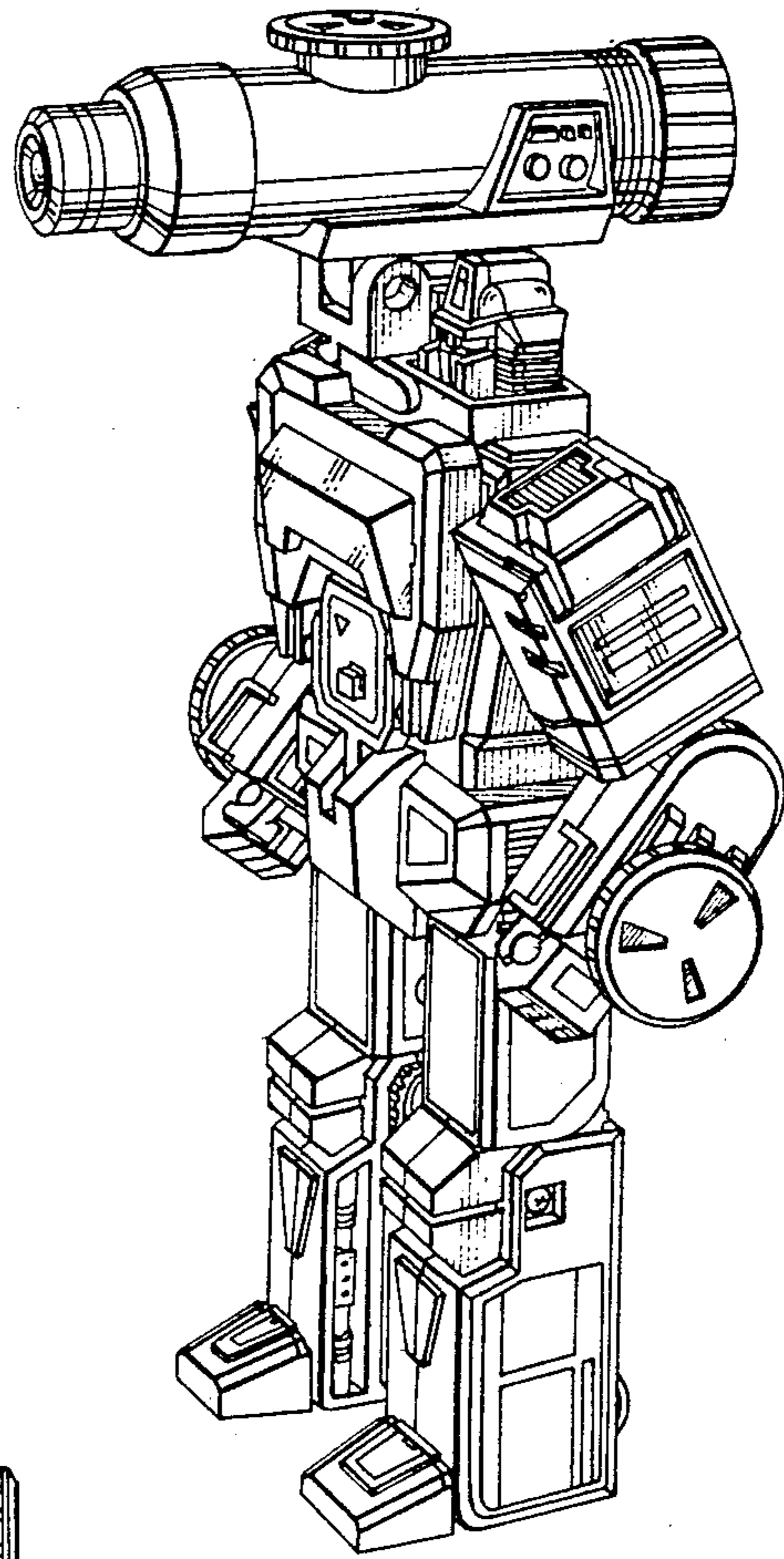


FIG.7

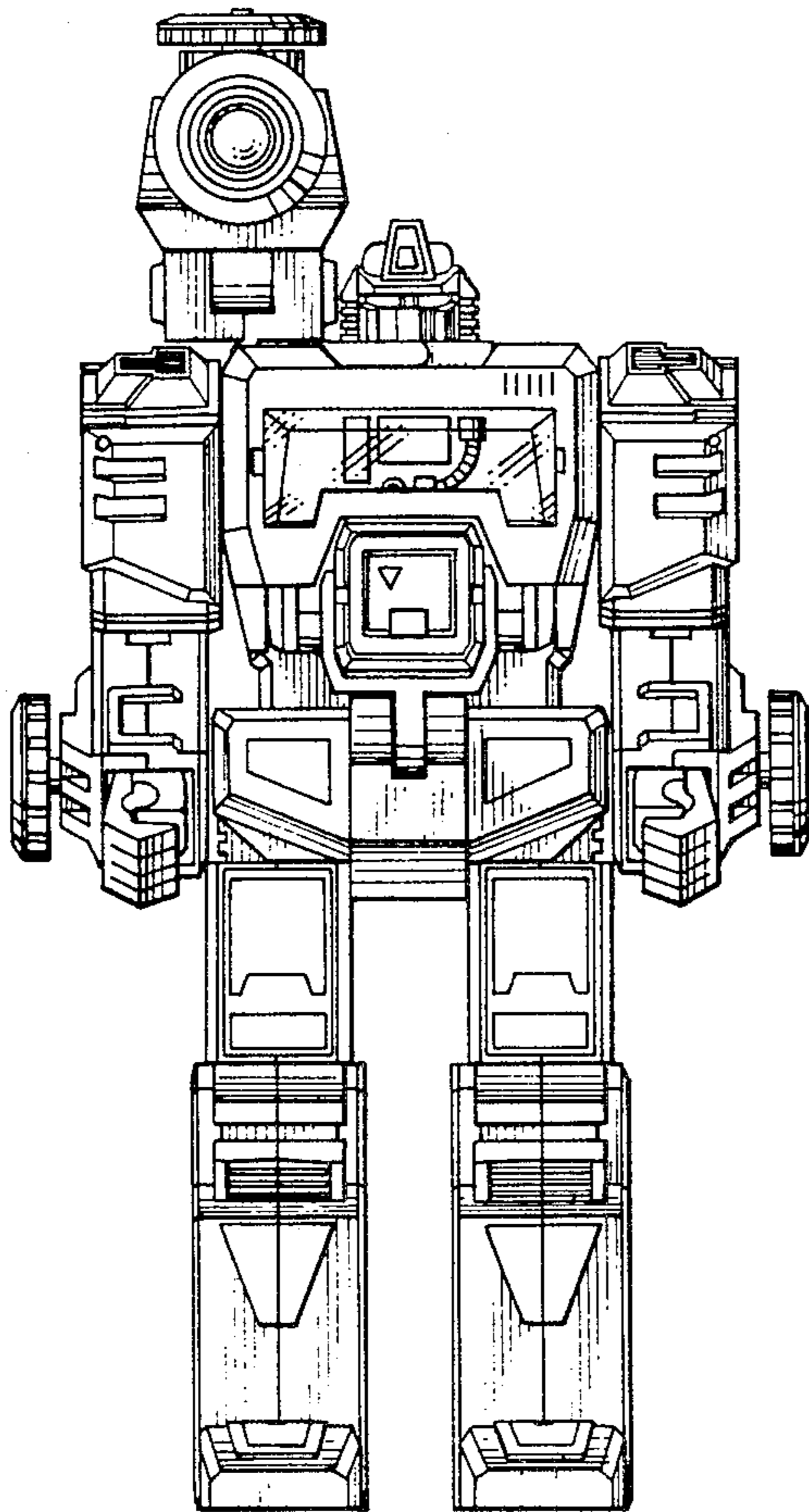


FIG.9

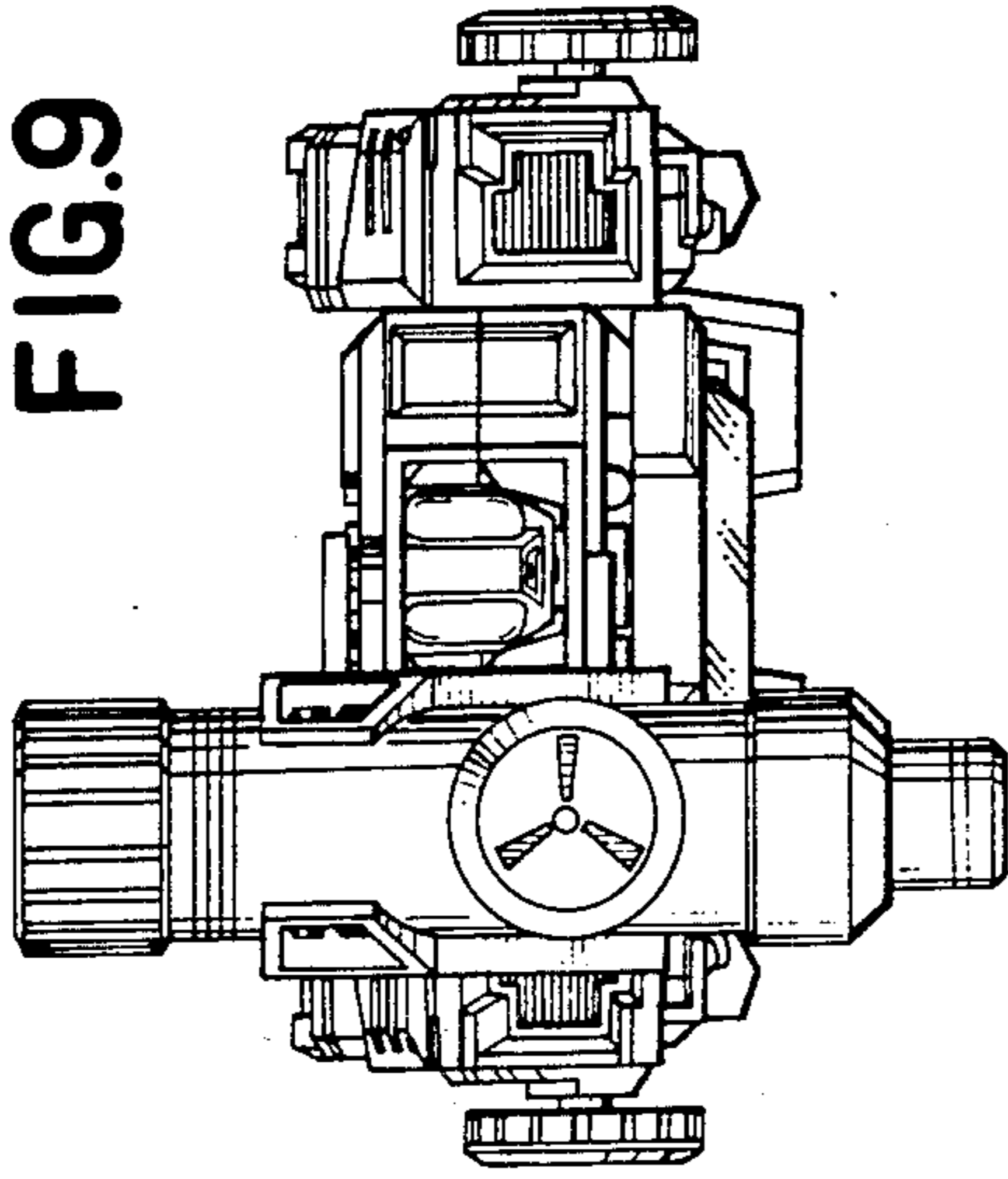


FIG.10

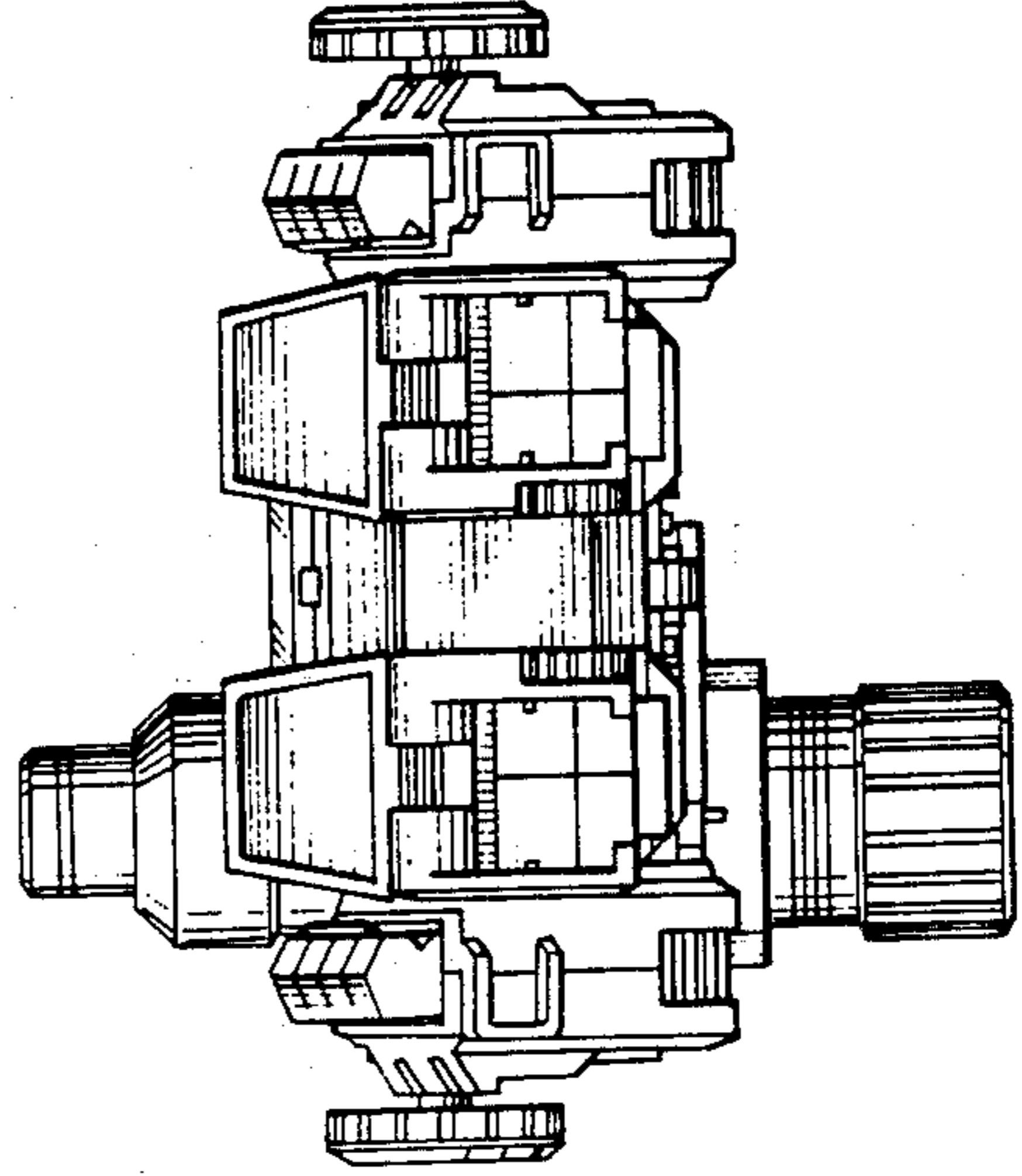


FIG.8

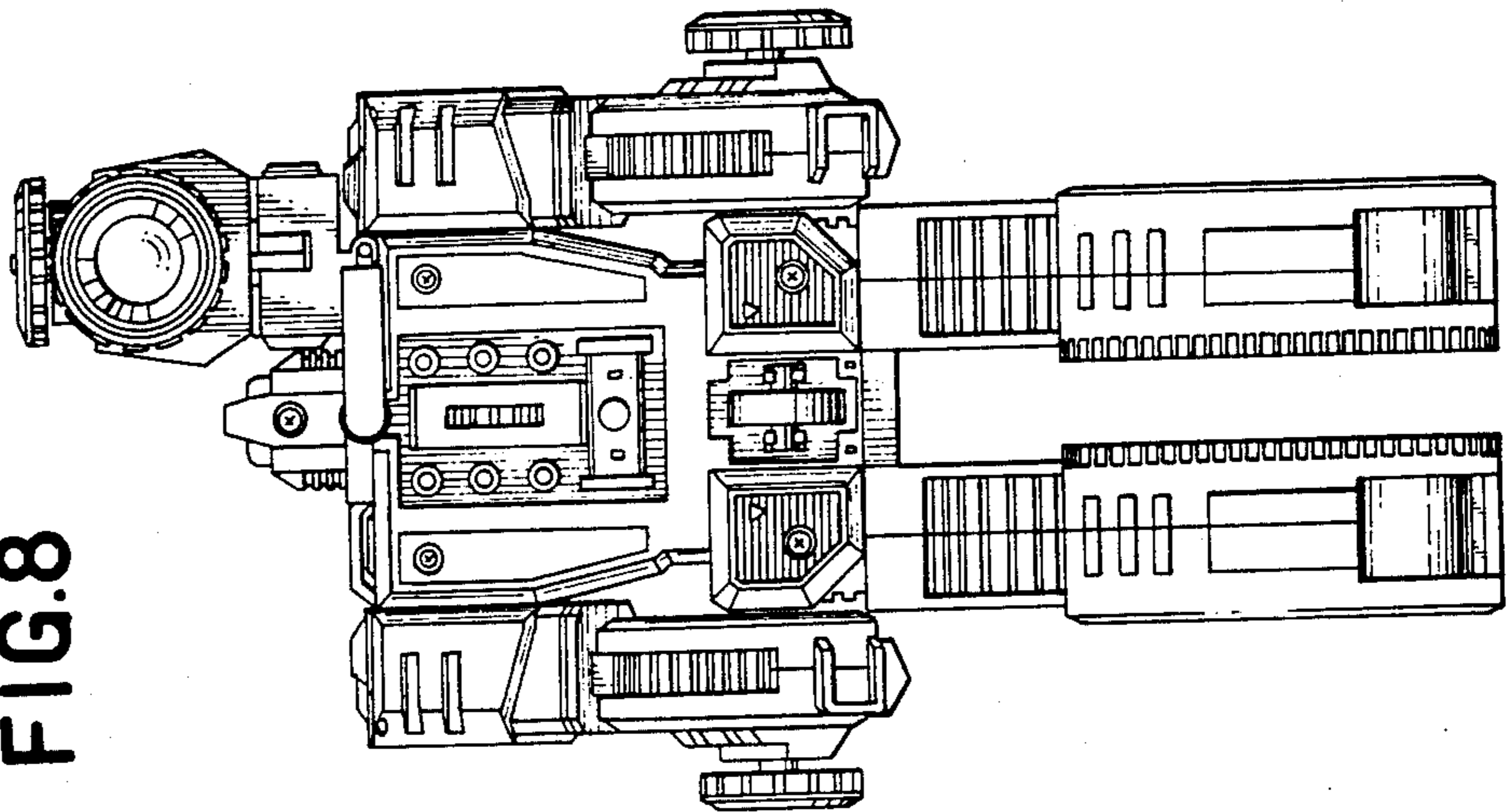


FIG. 11

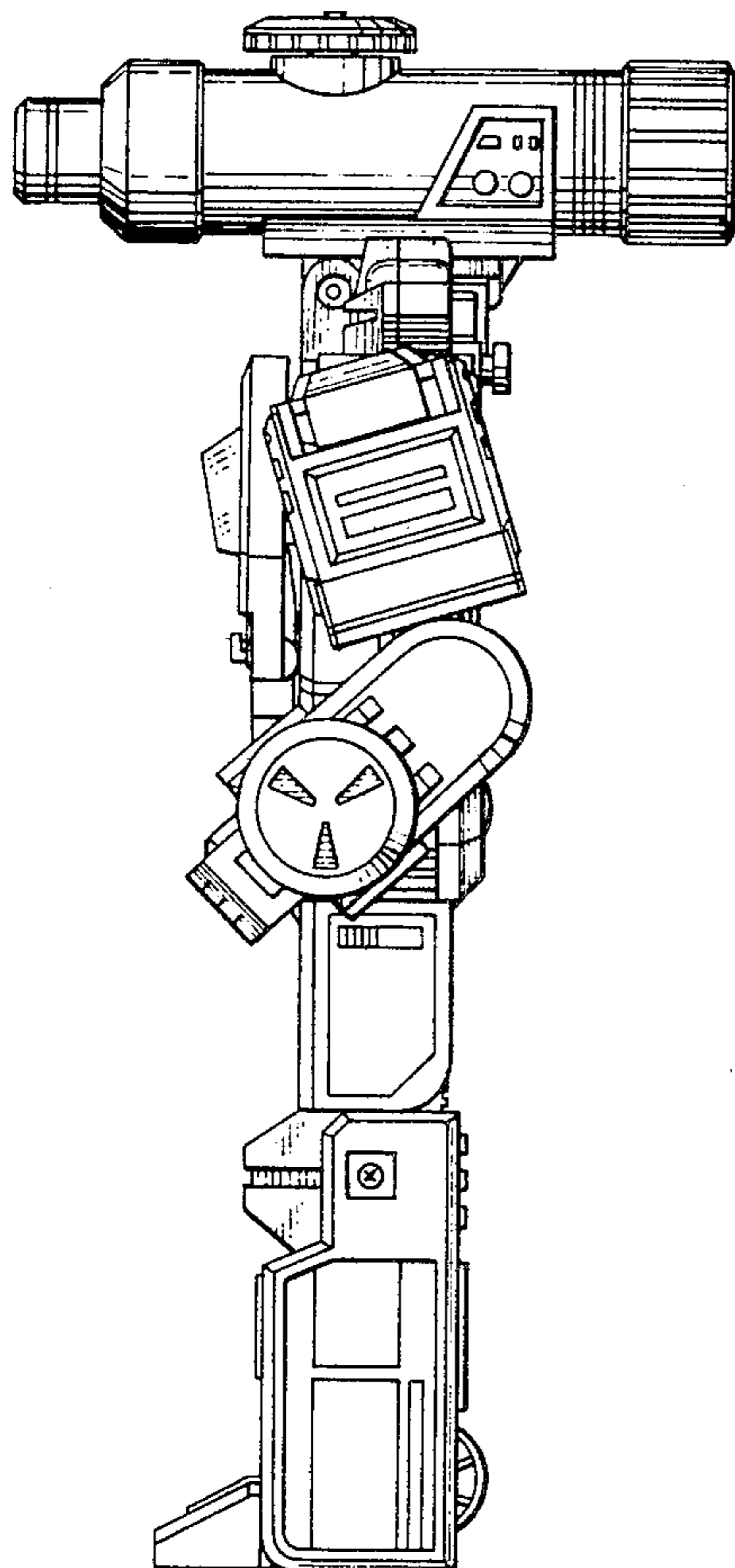


FIG. 12

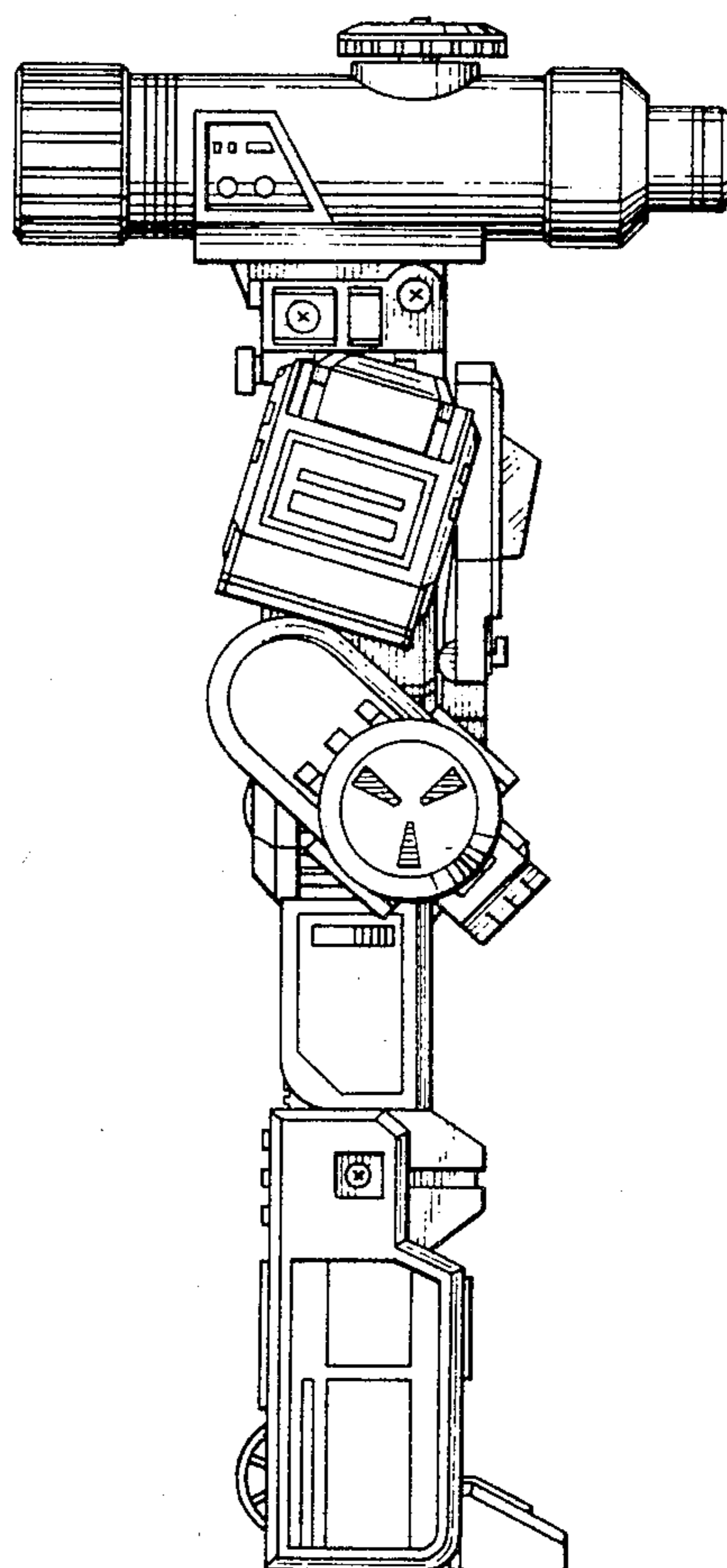


FIG.13

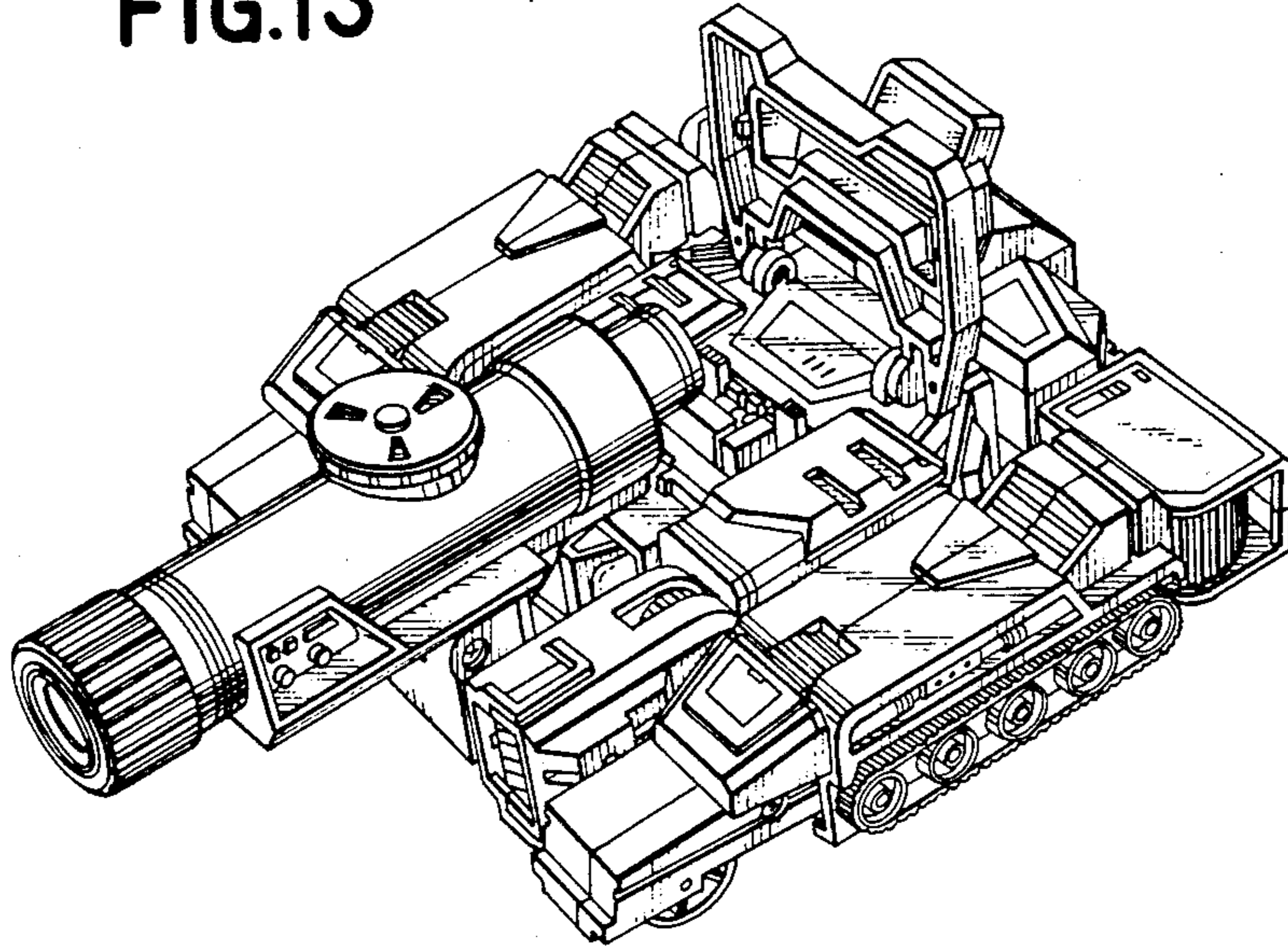


FIG.14

