

[54] **COMBINED PUNCH AND BINDER**

[75] **Inventor: Roger M. Scharer, Des Plaines, Ill.**

[73] **Assignee: General Binding Corporation, Northbrook, Ill.**

[**] **Term: 14 Years**

[21] **Appl. No.: 617,589**

[22] **Filed: Jun. 5, 1984**

[52] **U.S. Cl. D18/34**

[58] **Field of Search D18/34, 14, 99; 412/20, 412/38, 43, 900, 902**

[56] **References Cited**

U.S. PATENT DOCUMENTS

- D. 261,529 10/1981 Hausmann D18/34
- D. 261,530 10/1981 Hausmann D18/34

OTHER PUBLICATIONS

The Sourcebook, ©1984, GBC, p. 5, "The GBC Combo"—on sale before 6/5/83.

Primary Examiner—Louis S. Zarfes
Attorney, Agent, or Firm—Hill, Van Santen, Steadman & Simpson

[57] **CLAIM**

The ornamental design for a combined punch and binder, as shown.

DESCRIPTION

FIG. 1 is a perspective view of a combined punch and binder showing my new design;
FIG. 2 is a top plan view thereof;
FIG. 3 is a right side elevational view thereof;
FIG. 4 is a left side elevational view thereof; and
FIG. 5 is a rear elevational view thereof.

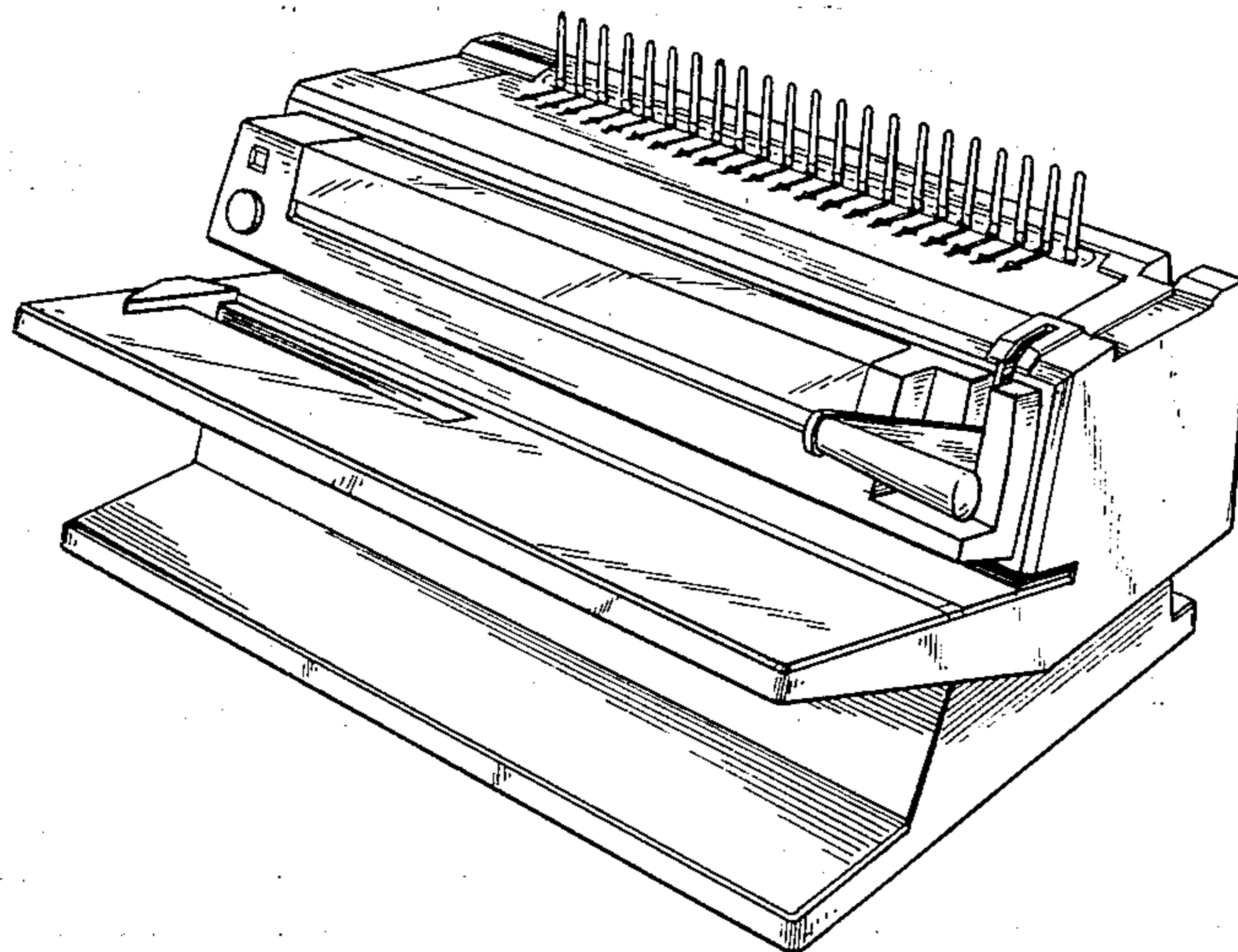


FIG. 1

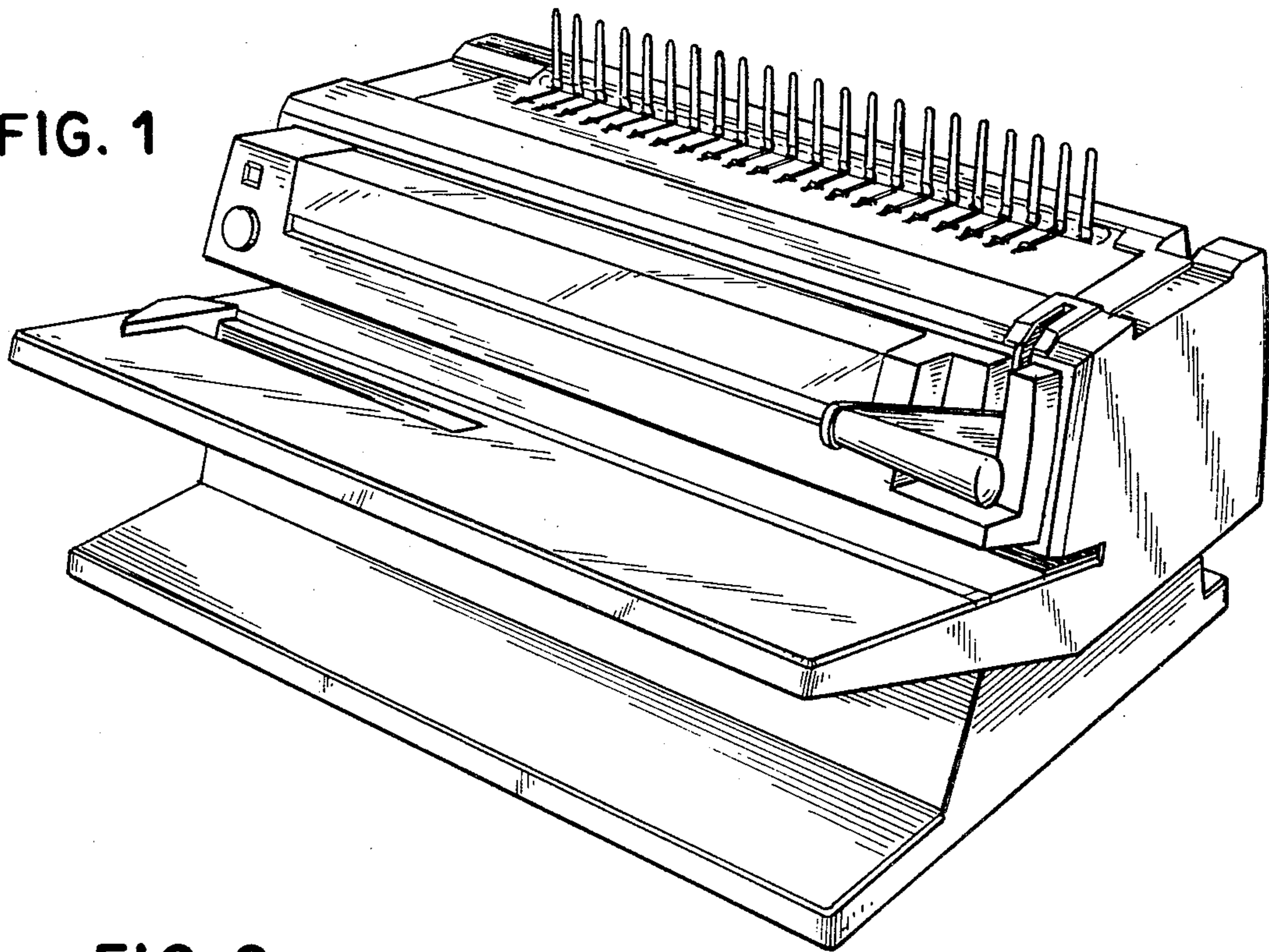


FIG. 2

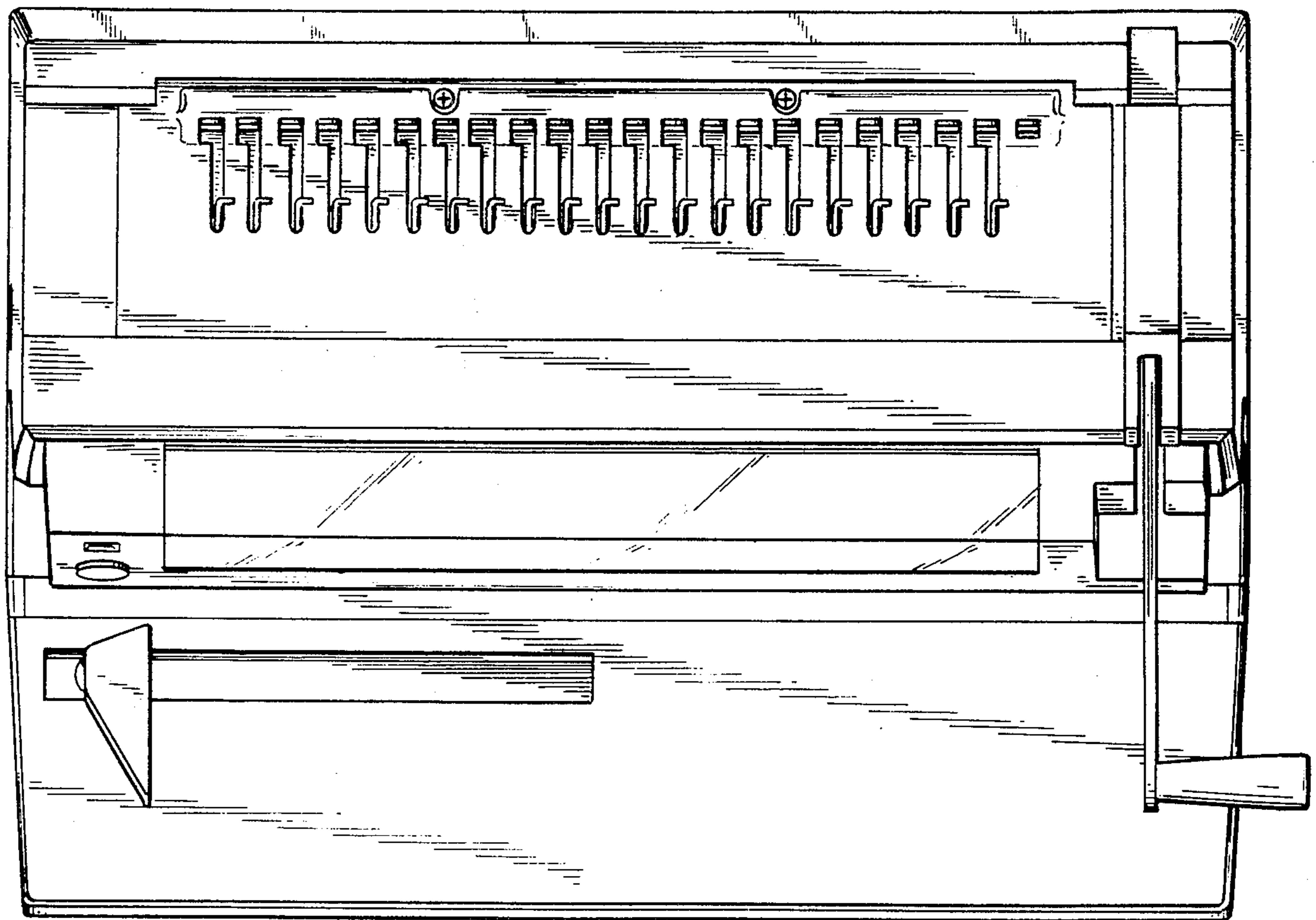


FIG. 3

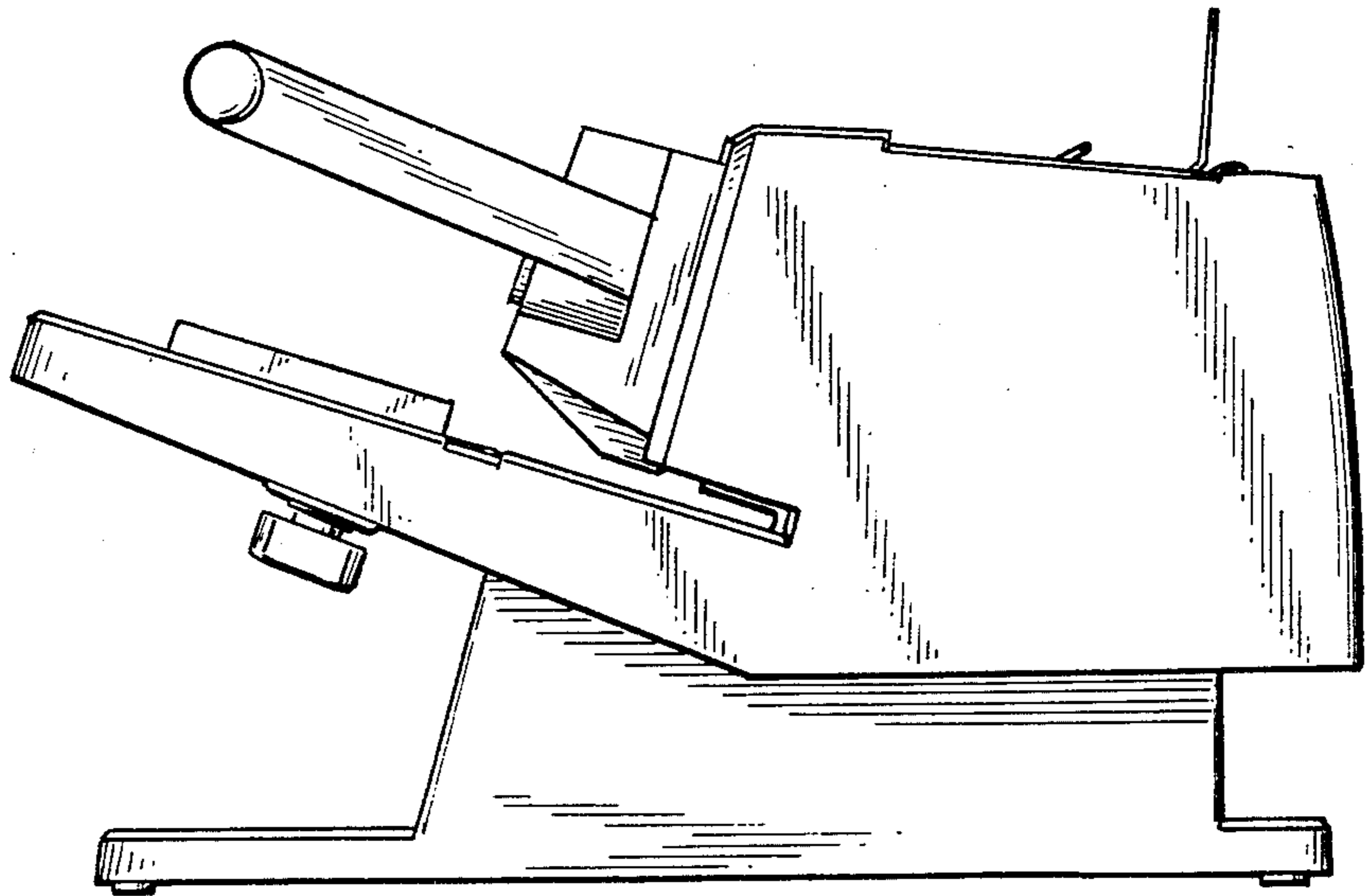


FIG. 4

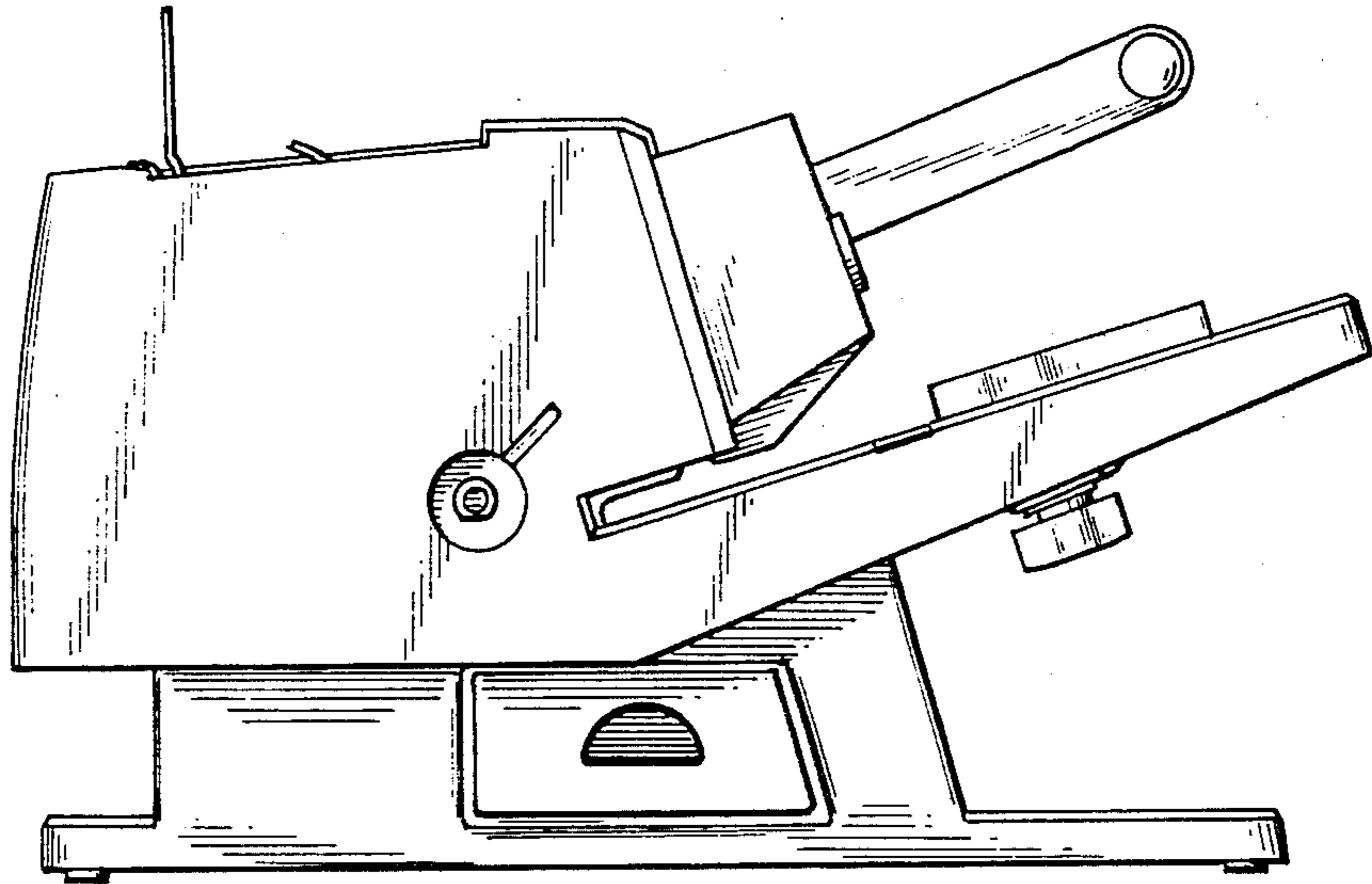


FIG. 5

