

# United States Patent [19]

Nibley et al.

[11] Patent Number: **Des. 287,509**

[45] Date of Patent: **\*\* Dec. 30, 1986**

[54] **PAPER FEEDER FOR PRINTER**

[75] Inventors: **Richard Nibley; Makoto Takemura,**  
both of Tokyo, Japan

[73] Assignee: **Canon Kabushiki Kaisha, Tokyo,**  
Japan

[\*\*] Term: **14 Years**

[21] Appl. No.: **672,782**

[22] Filed: **Nov. 19, 1984**

[30] **Foreign Application Priority Data**

Jun. 4, 1984 [JP] Japan ..... 59-22887  
[52] U.S. Cl. .... **D18/22**  
[58] Field of Search ..... D18/12, 13, 22, 99;  
D14/114; D16/32; 400/625, 629; 271/3.1, 35,  
240

[56] **References Cited**

**U.S. PATENT DOCUMENTS**

D. 283,034 3/1986 Hashimoto ..... D18/22

3,288,461 11/1966 Smith ..... 271/35  
4,407,597 10/1983 Kapp ..... 400/625  
4,565,360 1/1986 Rünzi ..... 400/625 X

*Primary Examiner*—Louis S. Zarfes  
*Attorney, Agent, or Firm*—Fitzpatrick, Cella, Harper &  
Scinto

[57] **CLAIM**

The ornamental design for a paper feeder for printer, as shown and described.

## DESCRIPTION

FIG. 1 is a front elevational view of a paper feeder for printer showing our new design;  
FIG. 2 is a rear elevational view thereof;  
FIG. 3 is a top plan view thereof;  
FIG. 4 is a bottom plan view thereof;  
FIG. 5 is a side elevational view as seen from the left of FIG. 1;  
FIG. 6 is a side elevational view as seen from the right of FIG. 1; and  
FIG. 7 is a perspective view of the paper feeder for printer.

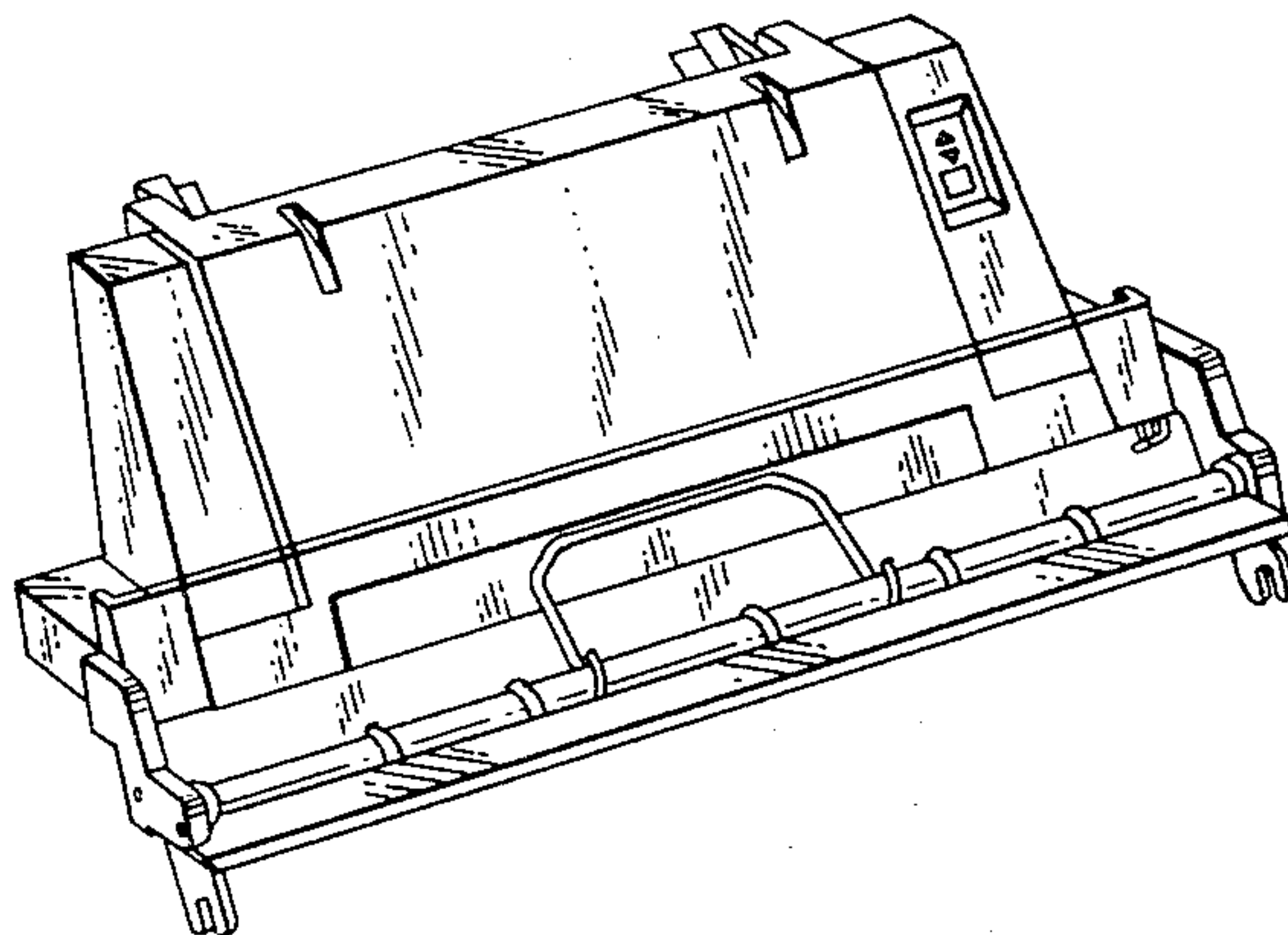


FIG. 1

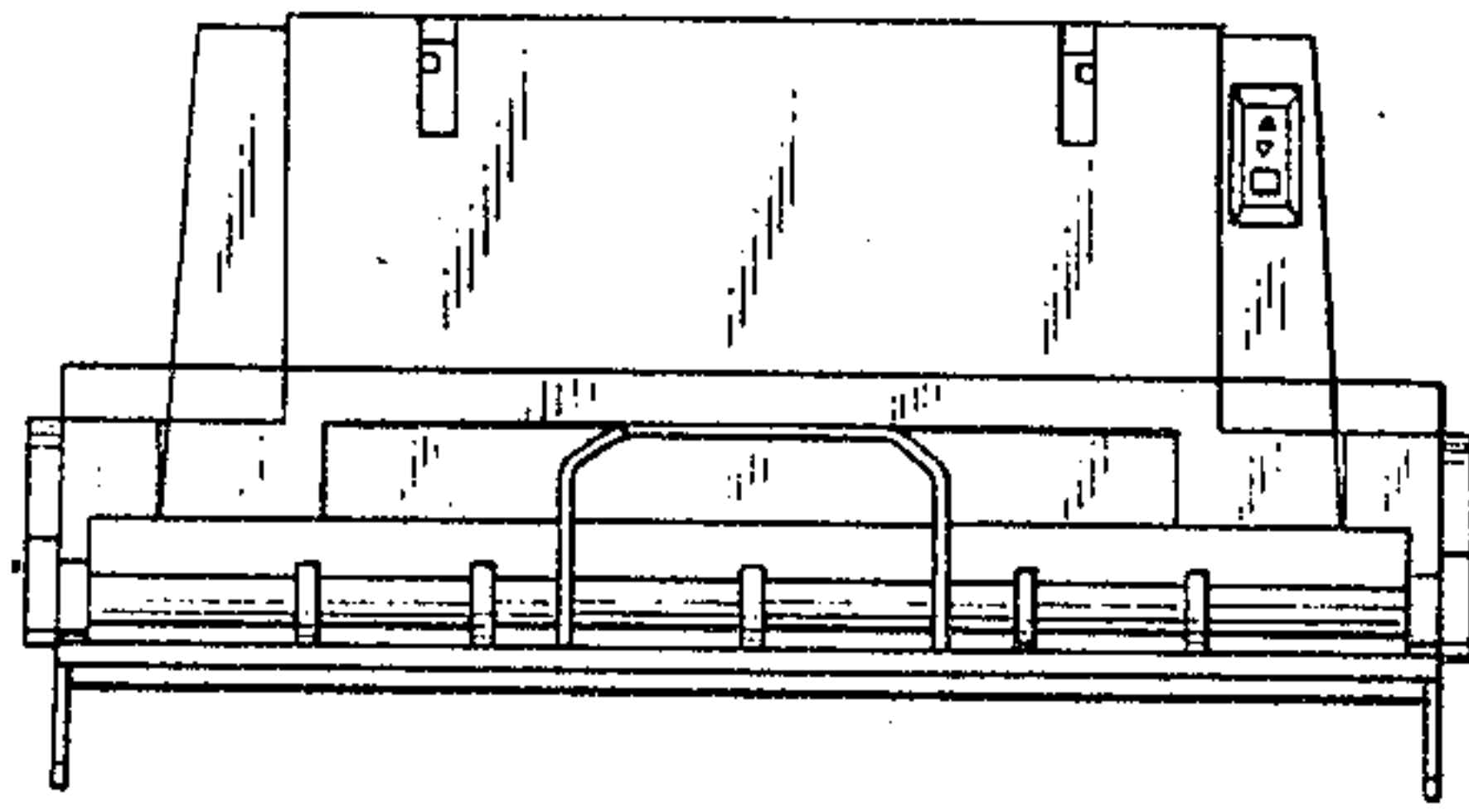


FIG. 2

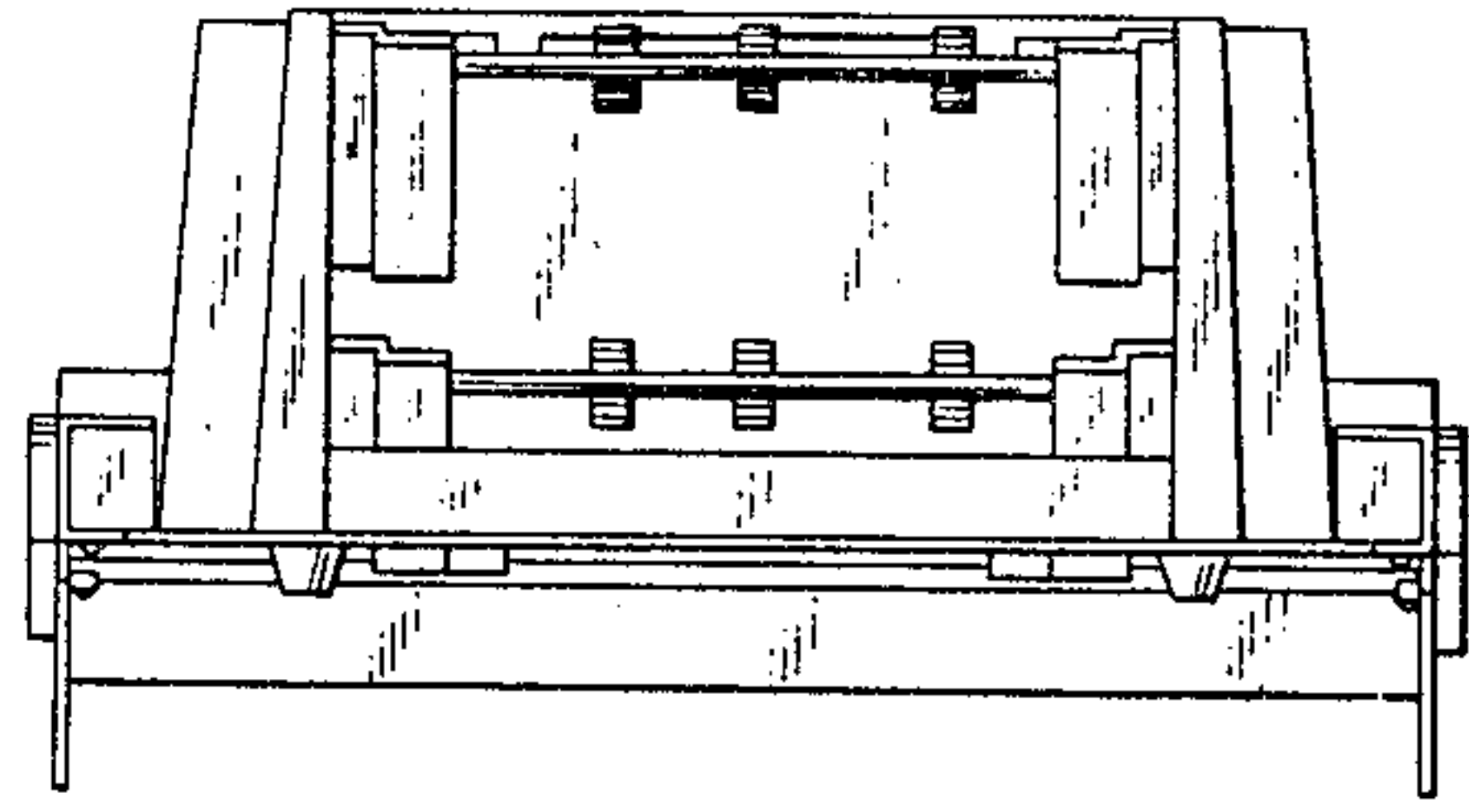


FIG. 3

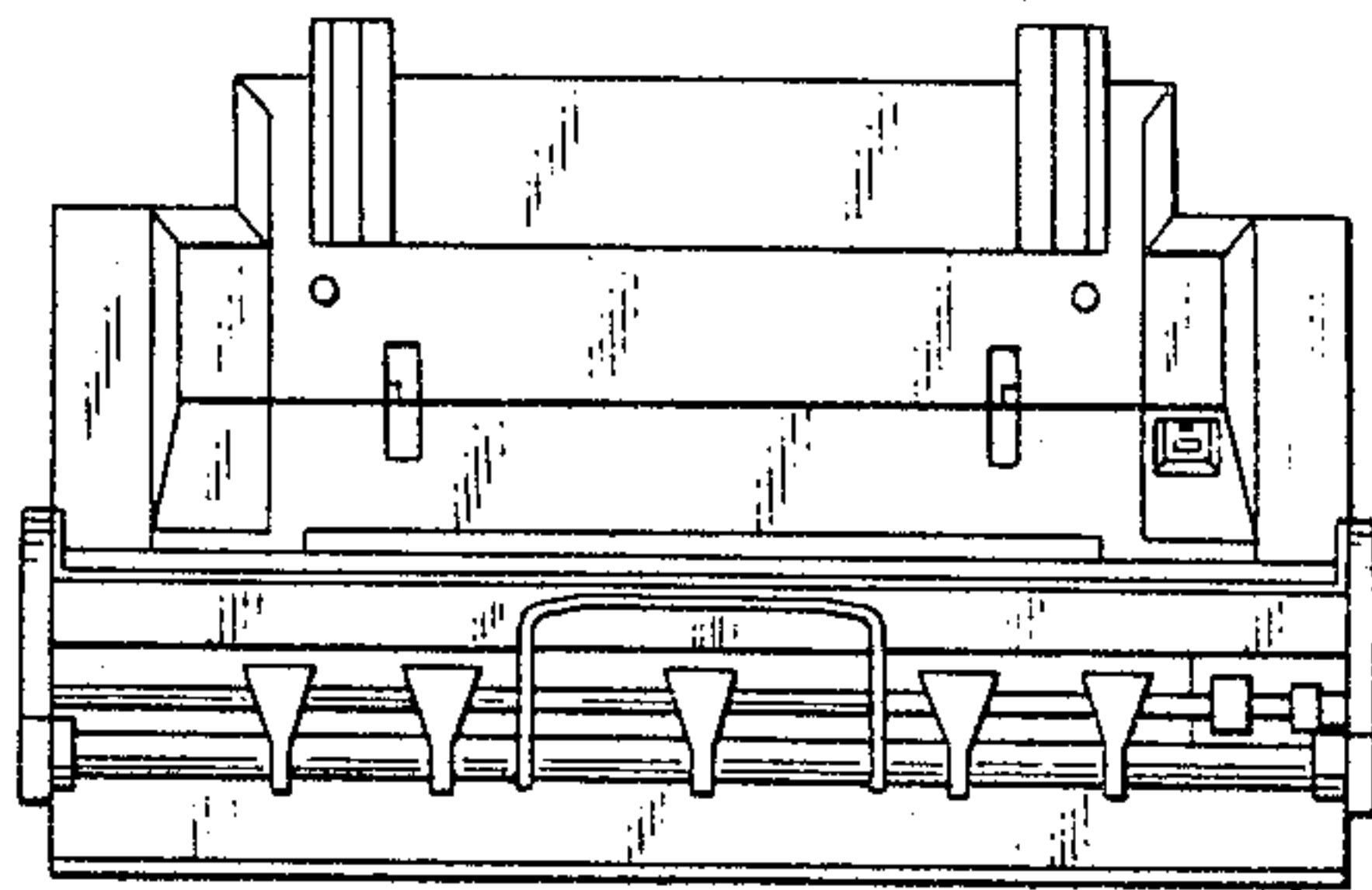


FIG. 4

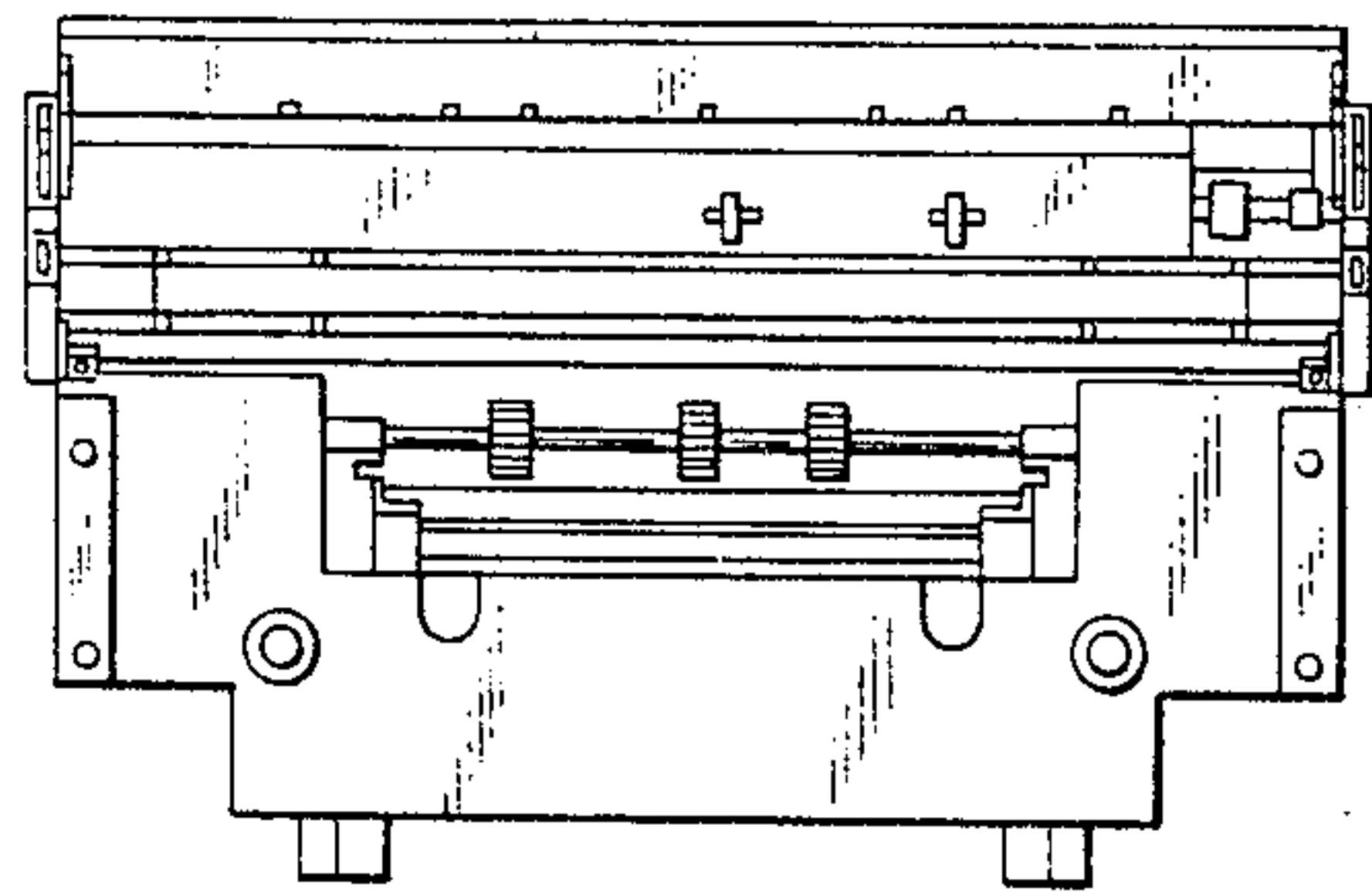


FIG. 5

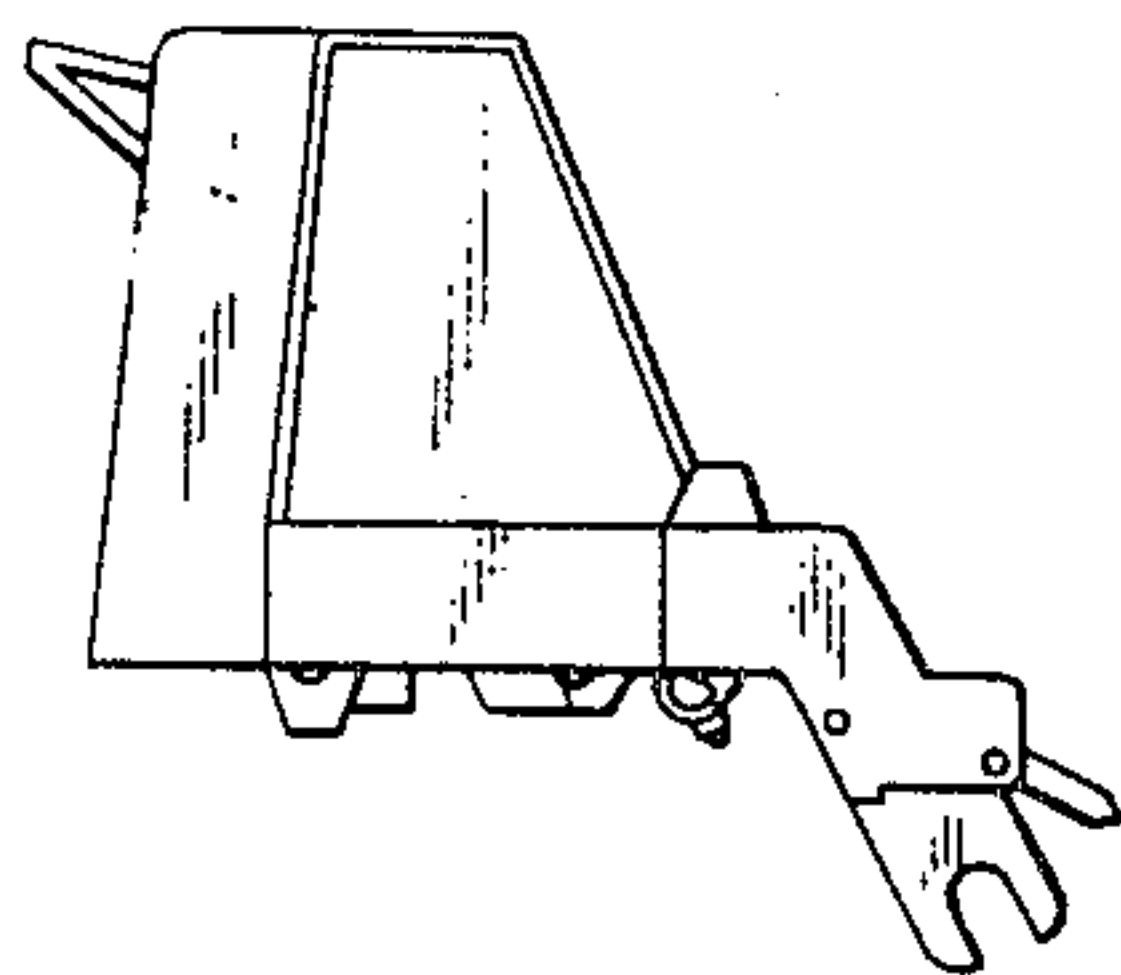


FIG. 6

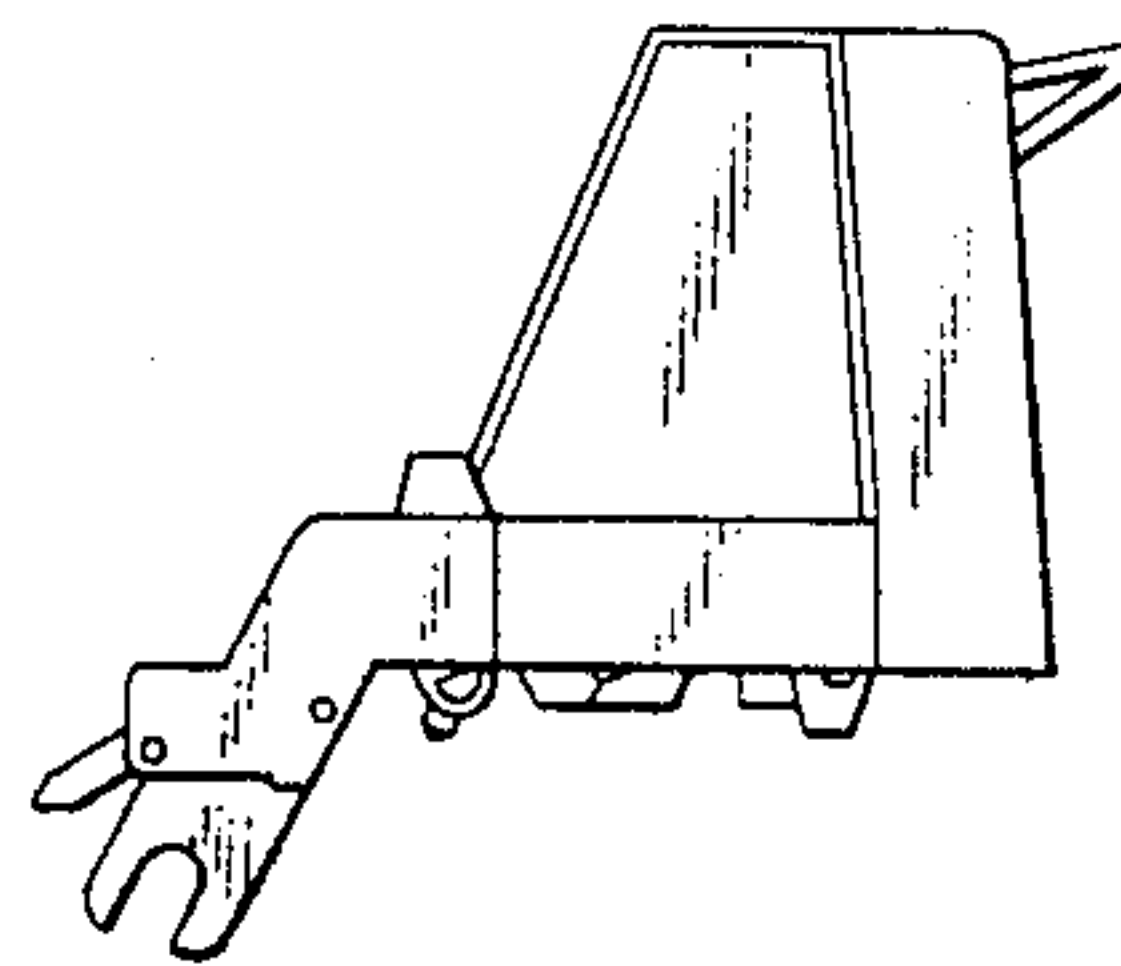


FIG. 7

