

[54] **FLUTE AND PICCOLO PLAYER'S LYRE**

[76] **Inventor: George T. Koprivica, 147 E. Alton Ave., East Alton, Ill. 62024**

[**] **Term: 14 Years**

[21] **Appl. No.: 550,309**

[22] **Filed: Nov. 10, 1983**

Related U.S. Application Data

- [63] Continuation-in-part of Ser. No. 494,001, May 12, 1982, Pat. No. Des. 280,417.
[52] **U.S. Cl.** **D17/99**
[58] **Field of Search** **D17/13, 99; 84/327, 84/453; D6/300, 310-314; 248/444, 444.1**

[56] **References Cited**
U.S. PATENT DOCUMENTS

D. 245,876	9/1977	Sazama	D17/99
D. 255,459	6/1980	Corder	D17/13
1,495,131	5/1924	Griffith	248/444
2,234,086	3/1941	Rosebraugh	248/444.1 X
3,437,002	4/1969	Urban et al.	D17/13

Primary Examiner—Jane E. Corrigan
Assistant Examiner—M. Lawrence
Attorney, Agent, or Firm—Kalish & Gilster

[57] **CLAIM**

The ornamental design for a flute and piccolo player's lyre, substantially as described and shown.

DESCRIPTION

FIG. 1 is a top plan view of a flute and piccolo player's lyre showing my new design;
FIG. 2 is a right side elevational view;
FIG. 3 is a front elevational view;
FIG. 4 is a left side elevational view; and
FIG. 5 is a rear elevational view.

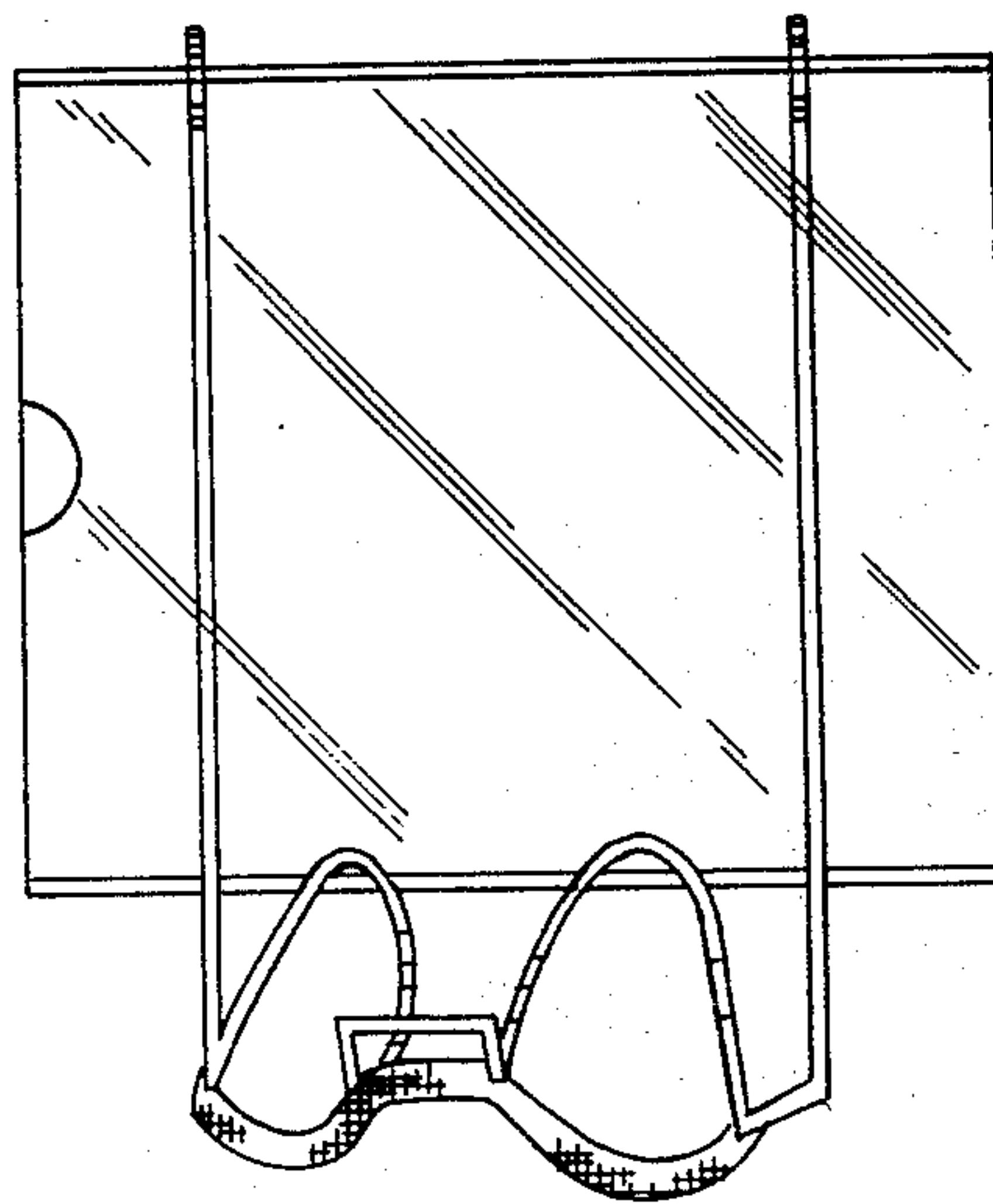


FIG. 1

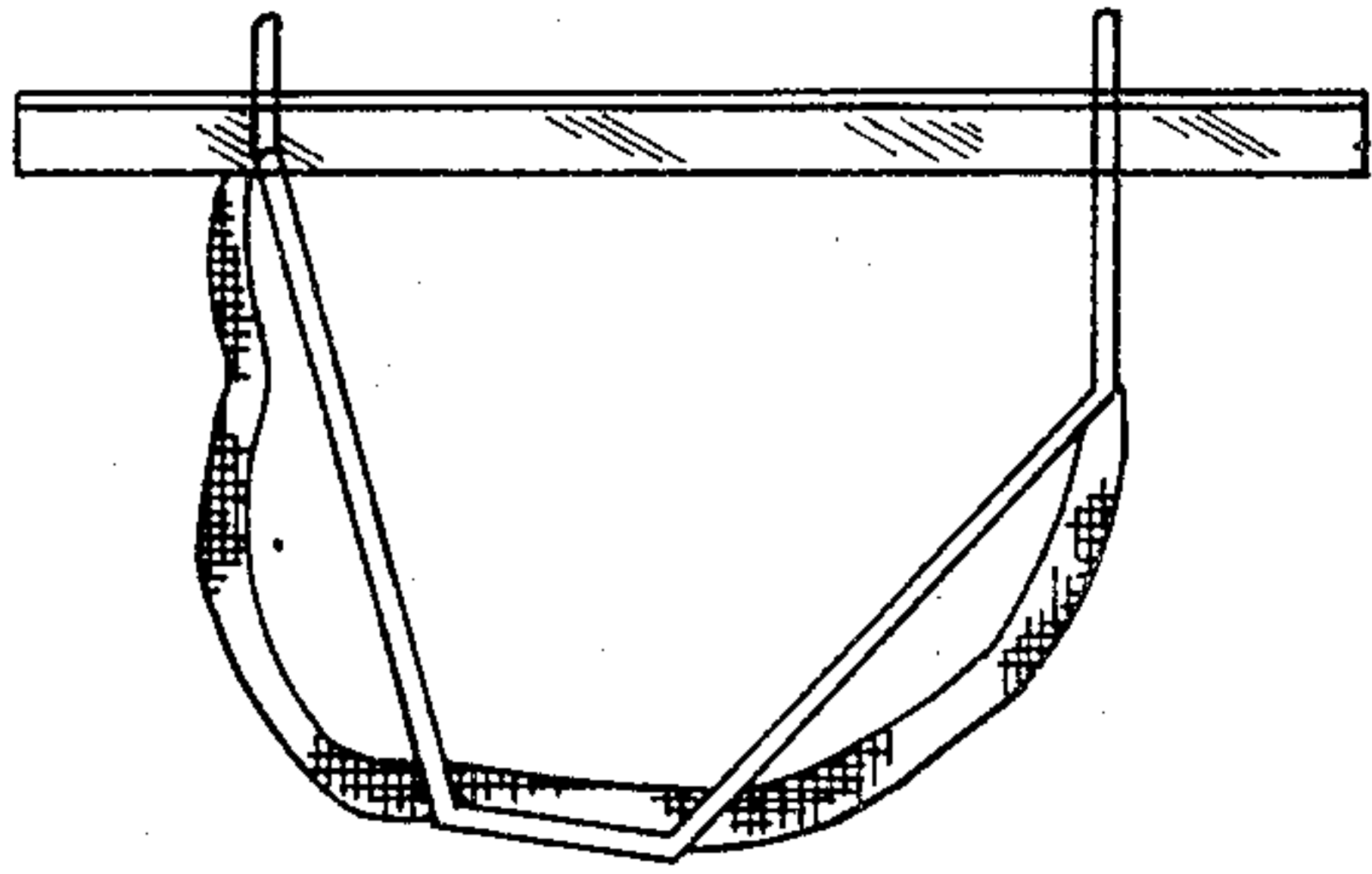


FIG. 2

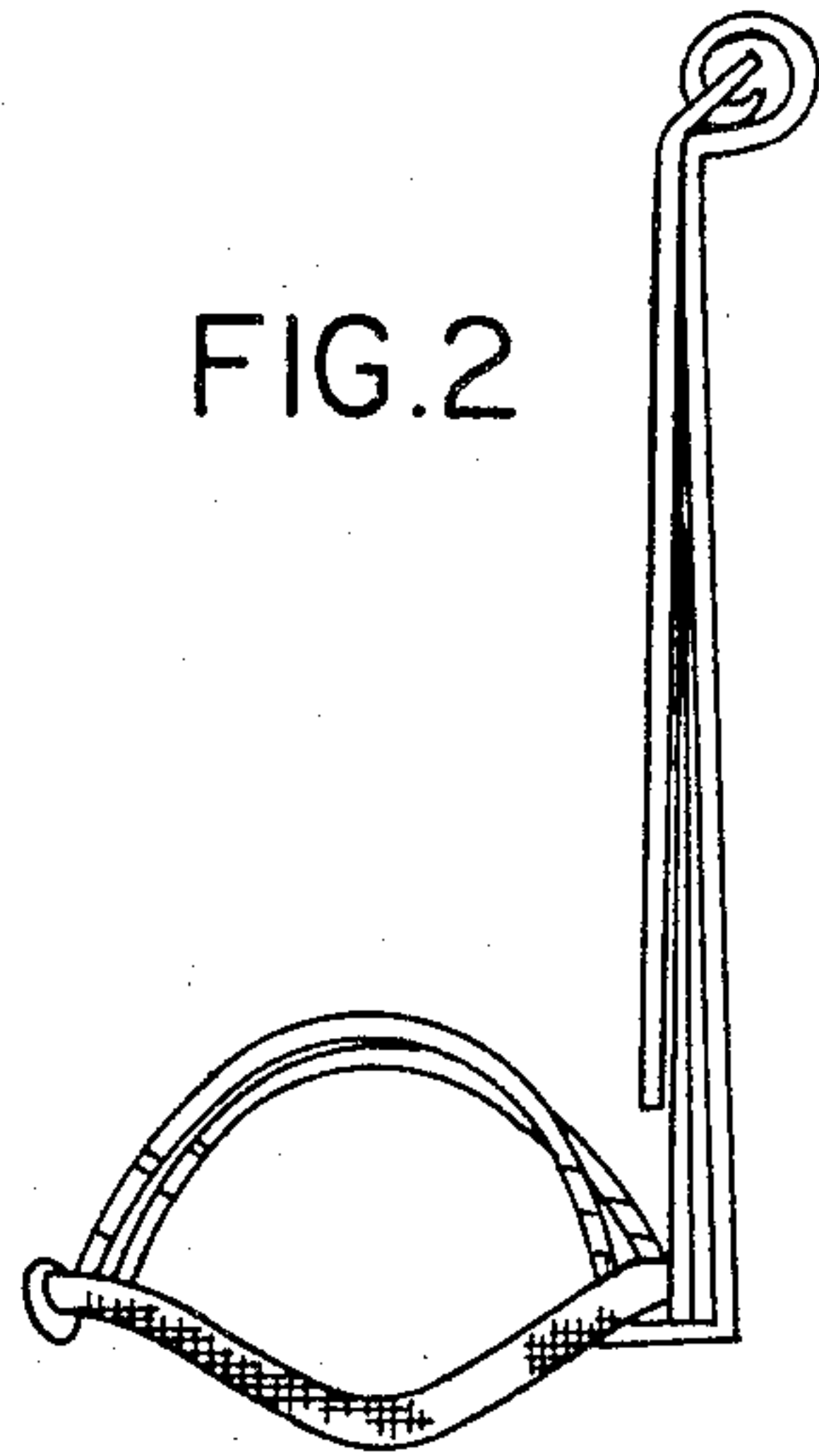


FIG. 3

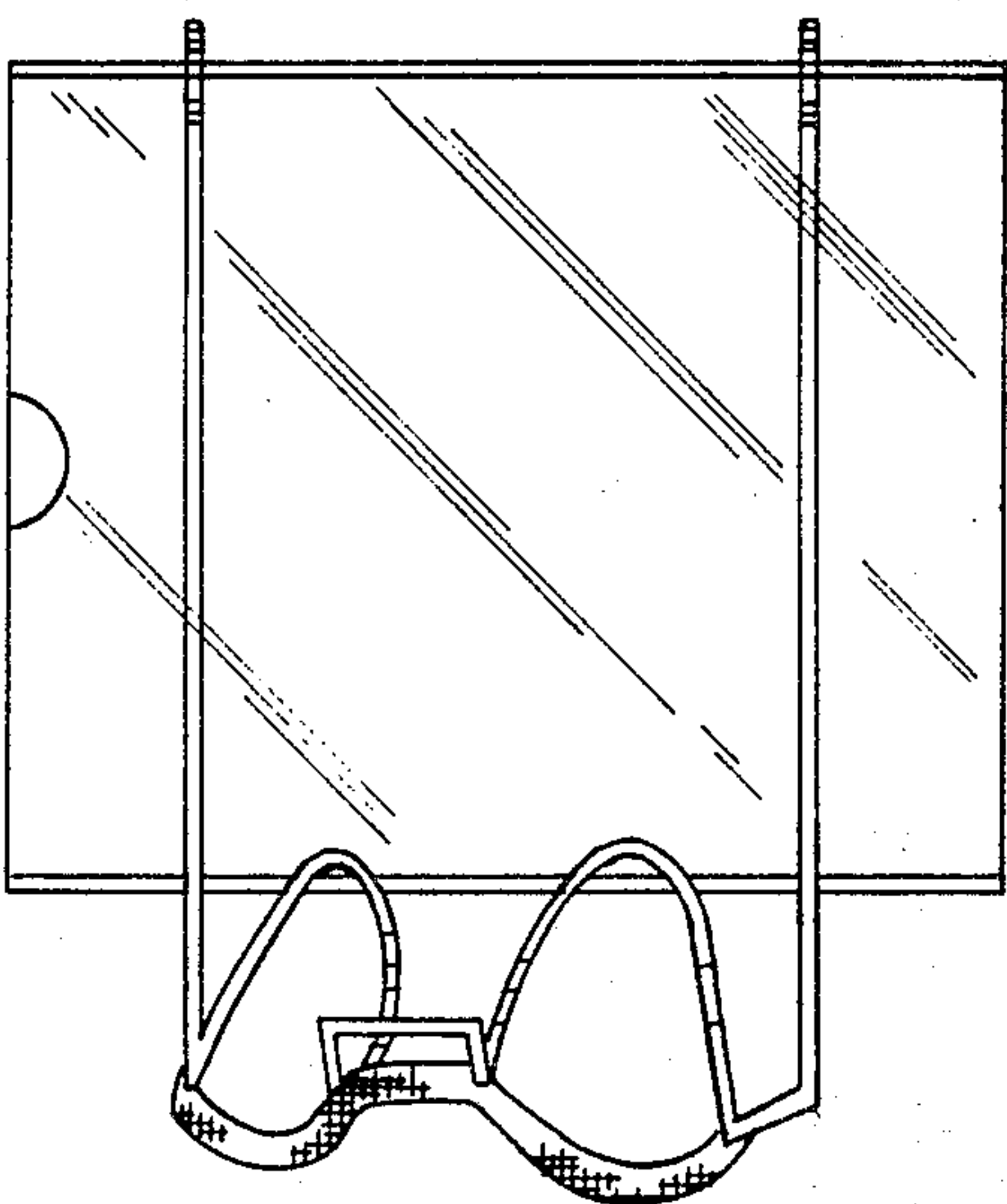


FIG. 4

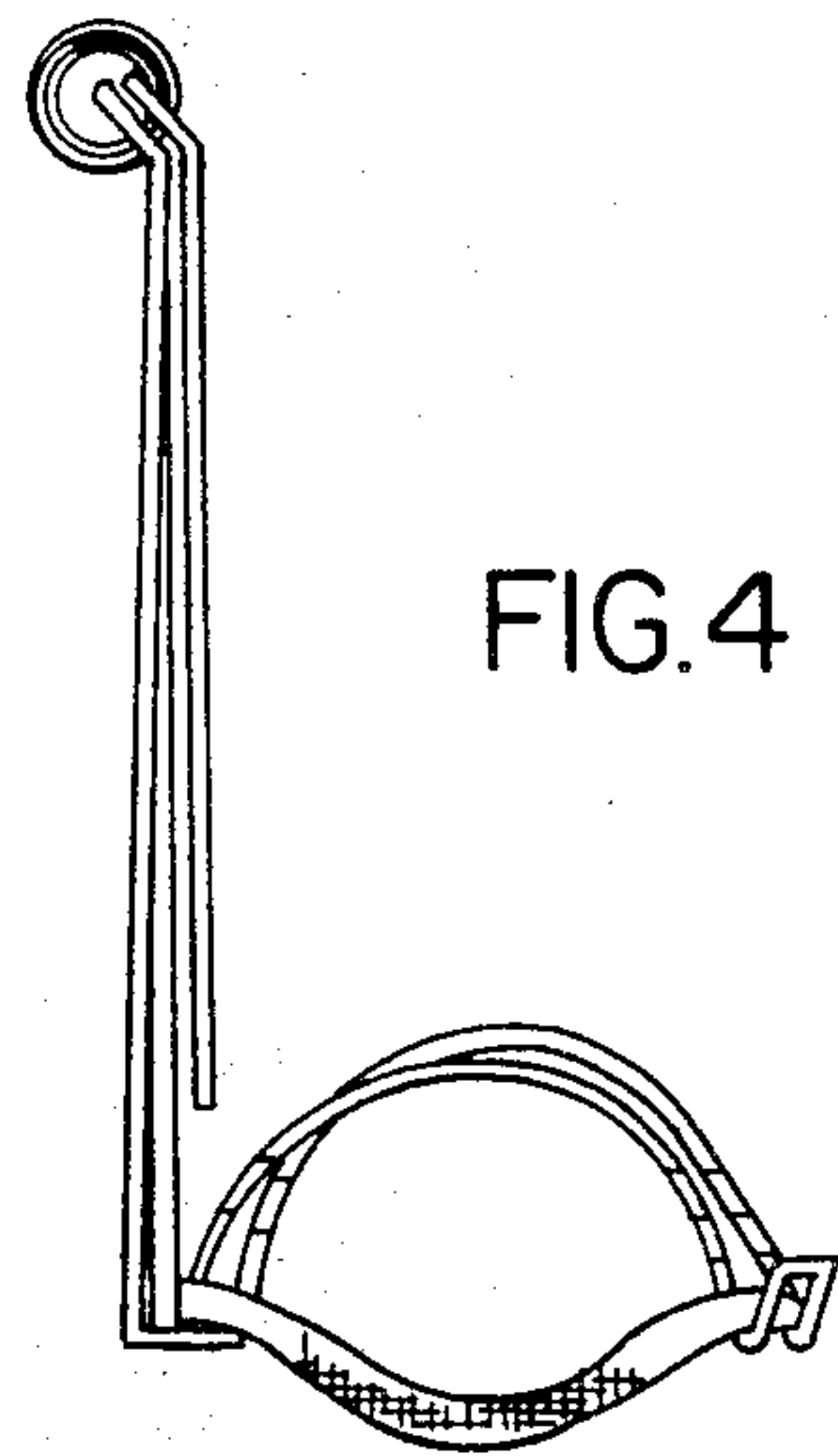


FIG. 5

