

[54] FUEL DISPENSER

[75] Inventors: Glenn W. Monigle, Golden; David W. Roecker, Denver, both of Colo.

[73] Assignee: Dresser Industries, Inc., Dallas, Tex.

[\*\*] Term: 14 Years

[21] Appl. No.: 639,561

[22] Filed: Aug. 10, 1984

[52] U.S. Cl. .... D15/9.2; D15/9.1

[58] Field of Search ..... D15/9.1-9.3; 222/14-22, 74-75, 530

[56] References Cited

U.S. PATENT DOCUMENTS

D. 237,821	11/1975	Gray	.....	D15/9.2
D. 258,437	3/1981	Gray	.....	D15/9.1
D. 266,673	10/1982	Monigle et al.	.....	D15/9.1
D. 272,627	2/1984	Monigle et al.	.....	D15/9.1
D. 272,628	2/1984	Monigle et al.	.....	D15/9.1
D. 272,629	2/1984	Monigle et al.	.....	D15/9.1
D. 272,631	2/1984	Monigle et al.	.....	D15/9.2
D. 273,791	5/1984	Monigle et al.	.....	D15/9.1
3,871,503	3/1975	Greenwood	.....	222/22 X
3,921,854	11/1975	Formica et al.	.....	222/16

4,195,674	4/1980	Madden	.....	222/74 X
4,252,161	2/1981	Krupp	.....	222/530 X
4,522,237	6/1985	Endo et al.	.....	222/14 X

Primary Examiner—Bernard Ansher  
Assistant Examiner—Linda Titolo  
Attorney, Agent, or Firm—Fred A. Winans

[57] CLAIM

The ornamental design for a fuel dispenser, as shown and described.

DESCRIPTION

FIG. 1 is a front elevational view of a fuel dispenser showing our new design, the rear view being a mirror image thereof;

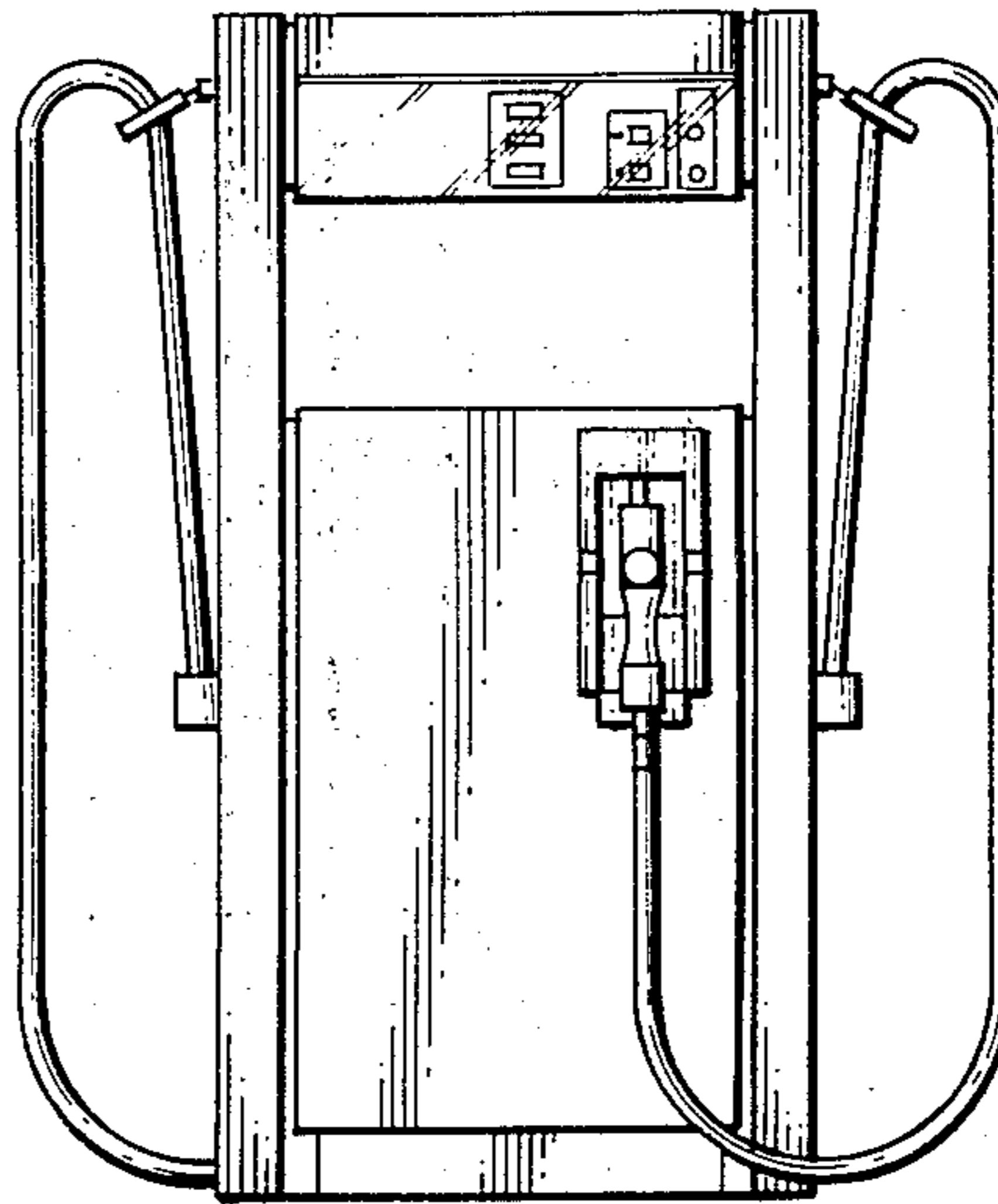
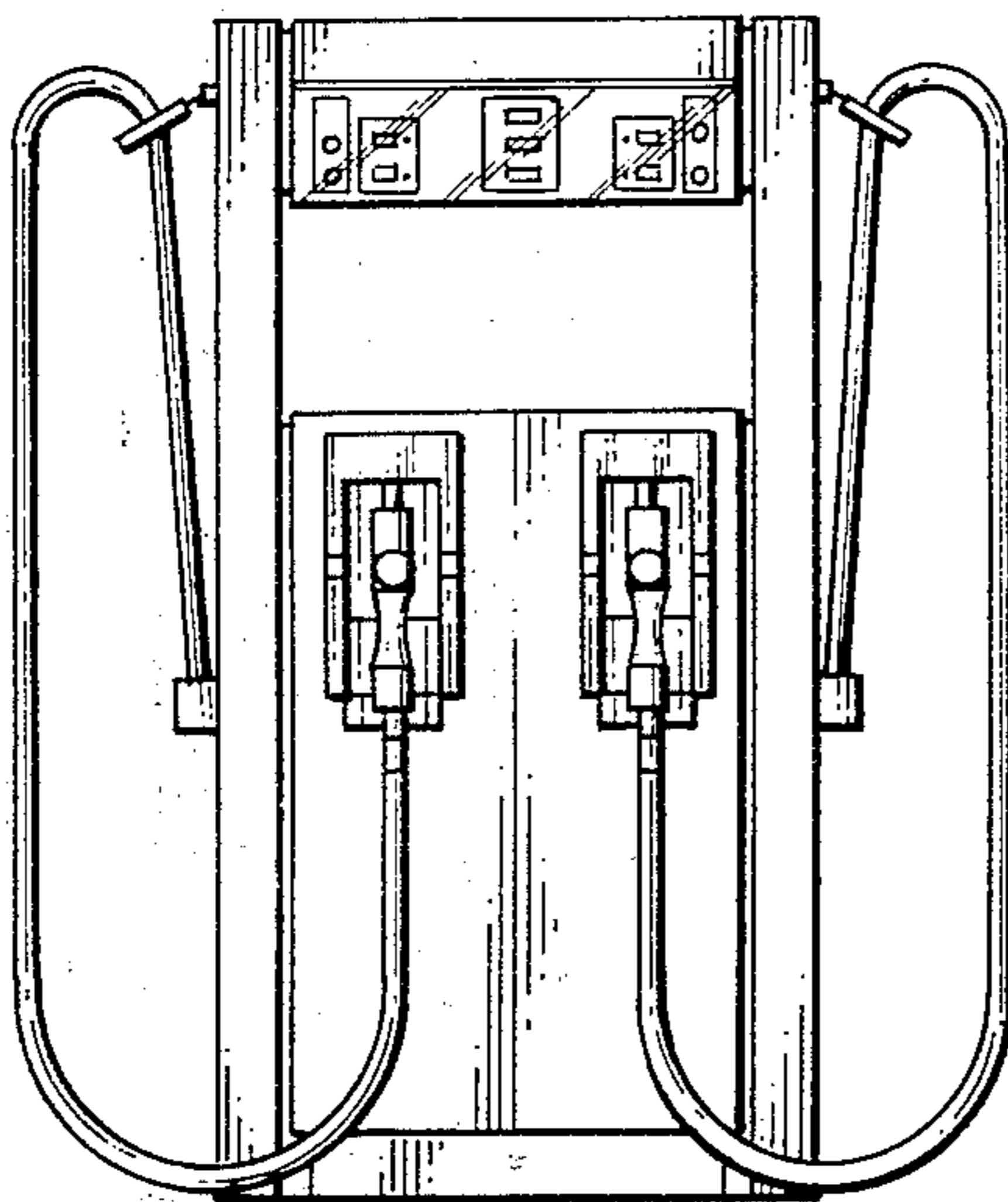
FIG. 2 is a top plan view thereof, portions of the hoses being shown in broken lines for ease of illustration;

FIG. 3 is a right side elevational view thereof, the left side being a mirror image thereof;

FIG. 4 is a front elevational view of a second embodiment of that shown in FIG. 1, the rear view being an identical image thereof;

FIG. 5 is a top plan view thereof, portions of the hoses being shown in broken lines for ease of illustration; and

FIG. 6 is a right side elevational view thereof, the left side being an identical image thereof.



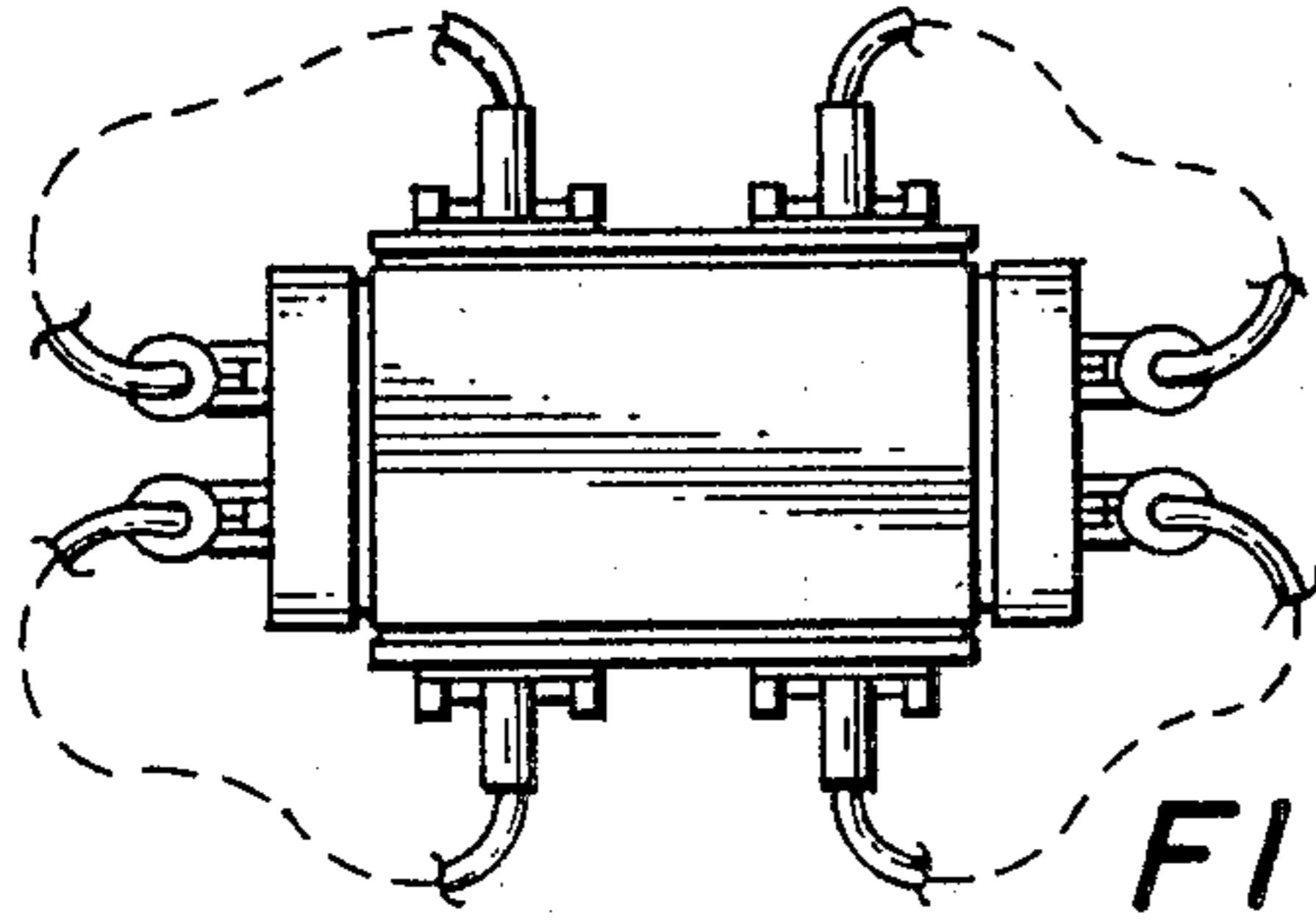


FIG. 2

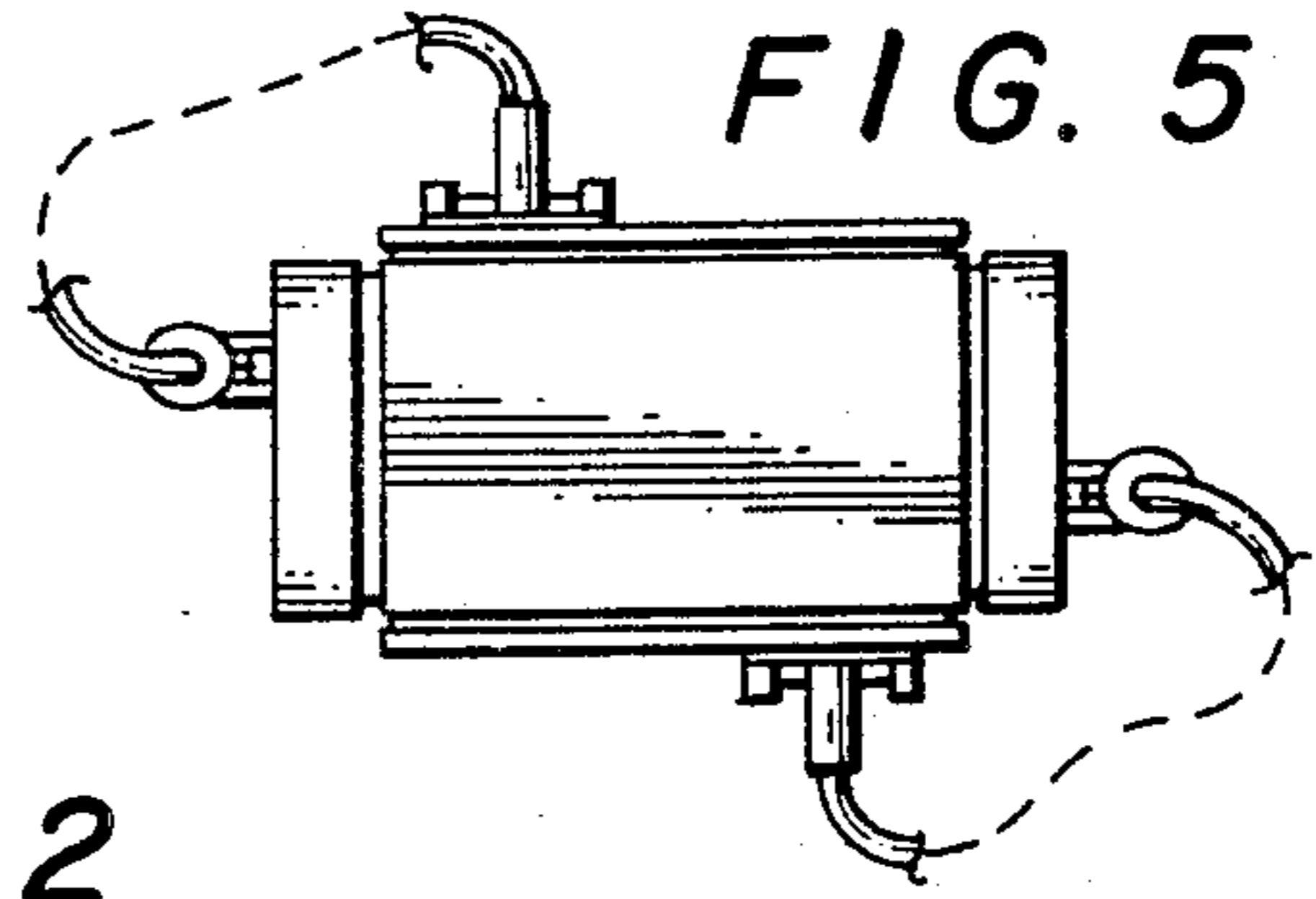


FIG. 5

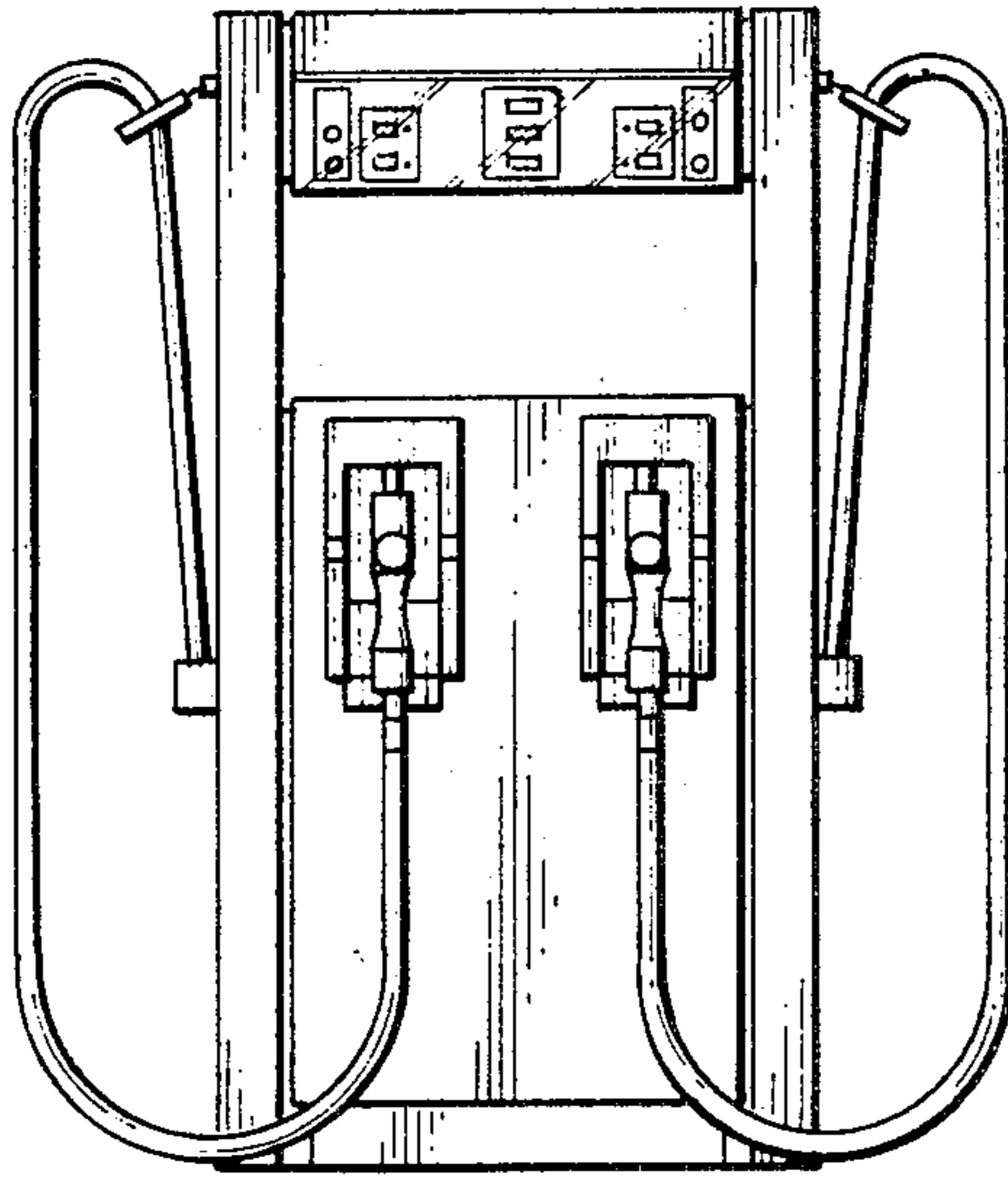


FIG. 1

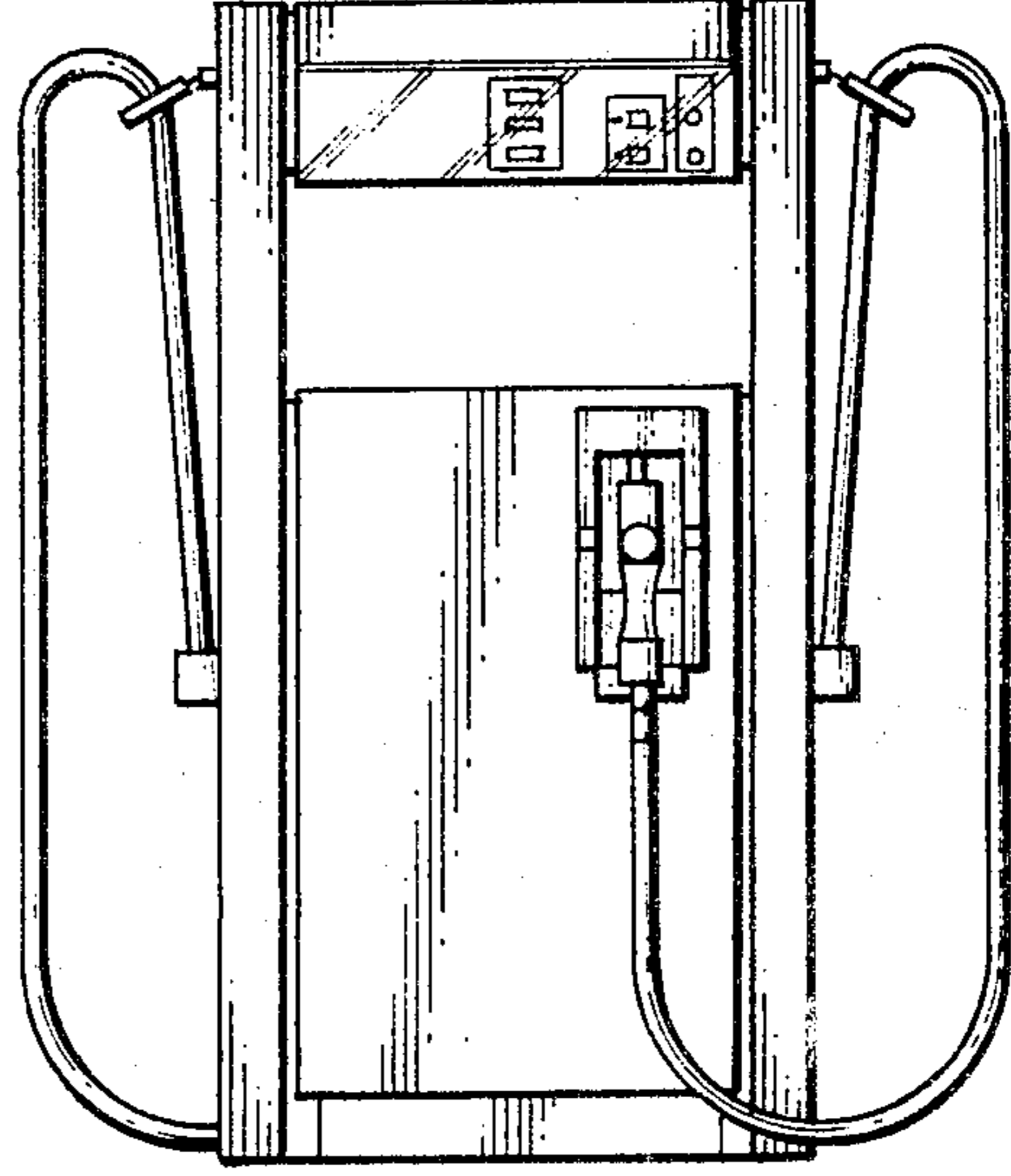


FIG. 4

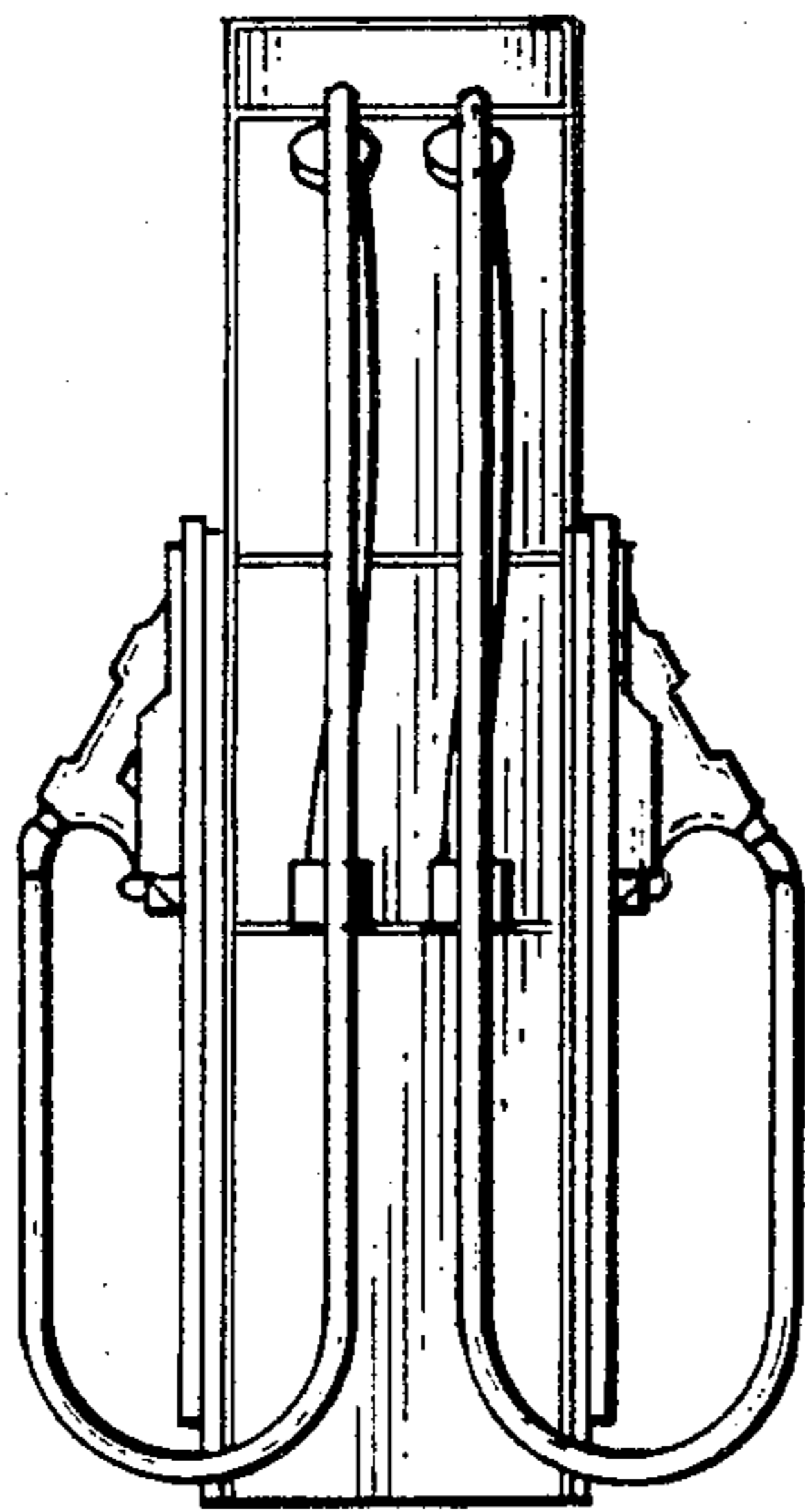


FIG. 3

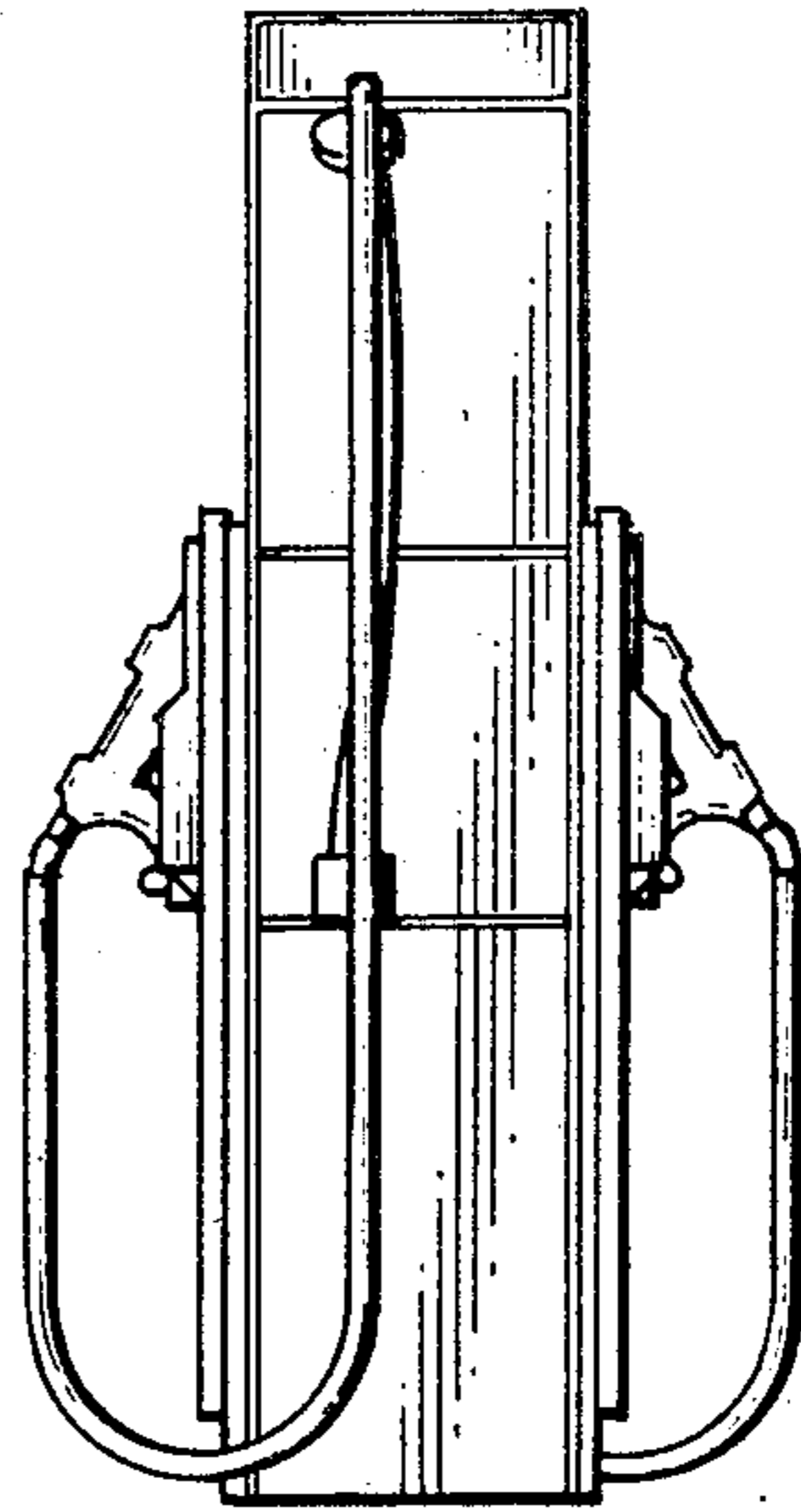


FIG. 6