

[54] TELEPHONE SET

[75] Inventors: Wilbert C. Brown, Fairfield; Eric K. Babbitt, Shelton, both of Conn.; Roger J. Tosto, Yorktown Heights, N.Y.

[73] Assignee: TIE/Communications, Inc., Shelton, Conn.

[*] Notice: The portion of the term of this patent subsequent to Dec. 30, 2000 has been disclaimed.

[**] Term: 14 Years

[21] Appl. No.: 617,171

[22] Filed: Jun. 4, 1984

[52] U.S. Cl. D14/53; D14/62; D14/58

[58] Field of Search D14/52, 53, 56, 58, D14/60, 62, 63, 64; D21/111; 179/179, 100 R, 100 D, 100 C, 100 L, 101, 102, 103

[56] References Cited

U.S. PATENT DOCUMENTS

- D. 257,772 1/1981 Fukutani D14/53
- D. 265,089 6/1982 Bee D14/58
- D. 269,178 5/1983 Foggia et al. D14/53
- D. 269,674 7/1983 Hirota et al. D14/53

- D. 275,751 10/1984 Mahan D14/58
- D. 277,663 2/1985 Sakamoto et al. D14/53
- D. 277,929 3/1985 Sakamoto et al. D14/58
- D. 278,337 4/1985 Banko D14/53
- D. 278,533 4/1985 Ando D14/62
- D. 280,404 9/1985 Inaba D14/62
- D. 280,617 9/1985 Inaba D14/53

Primary Examiner—Wallace R. Burke
Assistant Examiner—Horace B. Fay
Attorney, Agent, or Firm—Francis N. Carten

[57] CLAIM

The ornamental design for a telephone set, substantially as shown and described.

DESCRIPTION

FIG. 1 is a front isometric view of the telephone set, of this invention;
FIG. 2 is a top plan view of the telephone set of FIG. 1;
FIG. 3 is a front elevation of the telephone set of FIG. 1;
FIG. 4 is a left side elevation of the telephone set of FIG. 1;
FIG. 5 is a right side elevation of the telephone set of FIG. 1;
FIG. 6 is a back elevation of the telephone set of FIG. 1; and
FIG. 7 is a bottom plan view of the telephone set of FIG. 1.

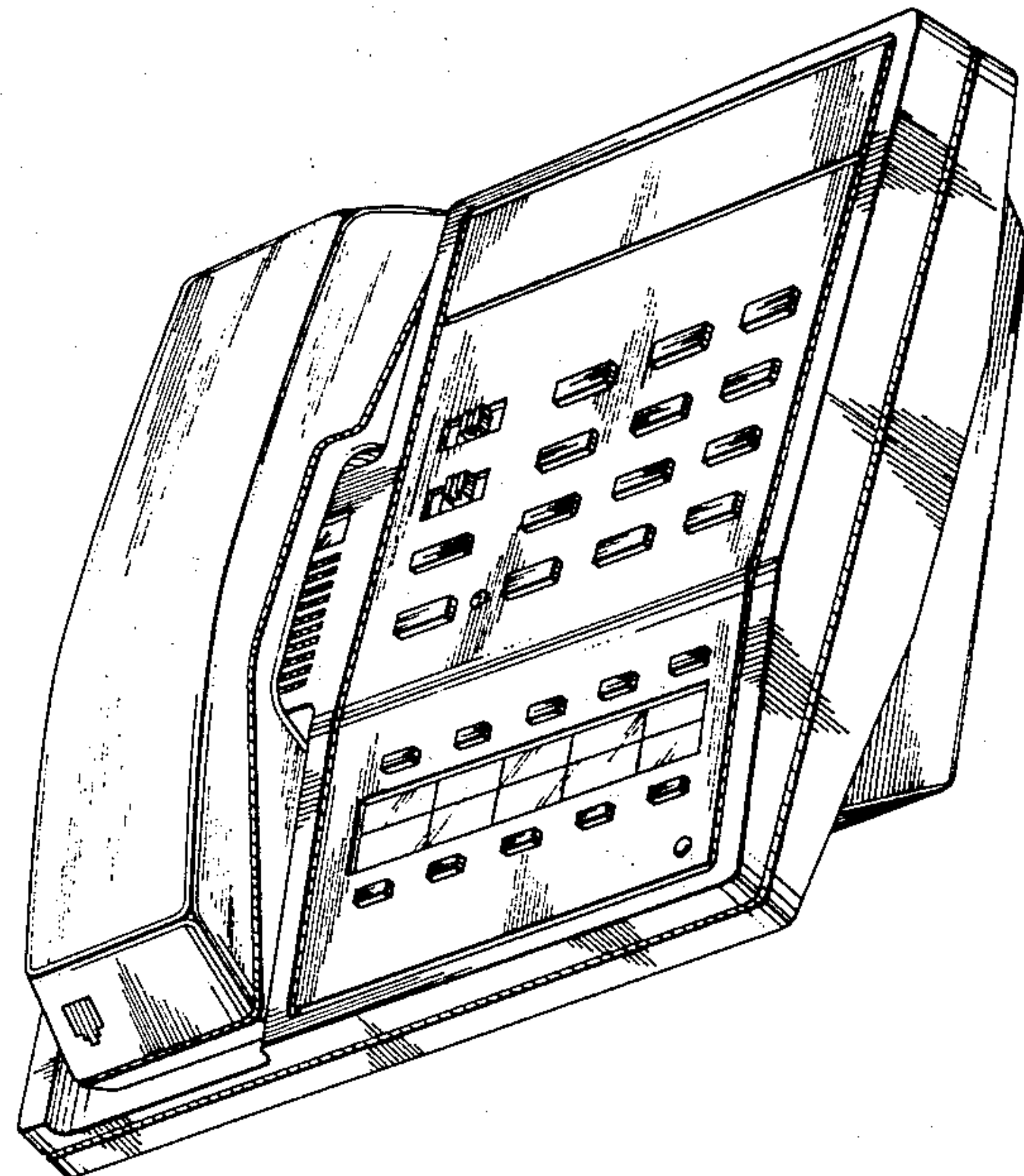
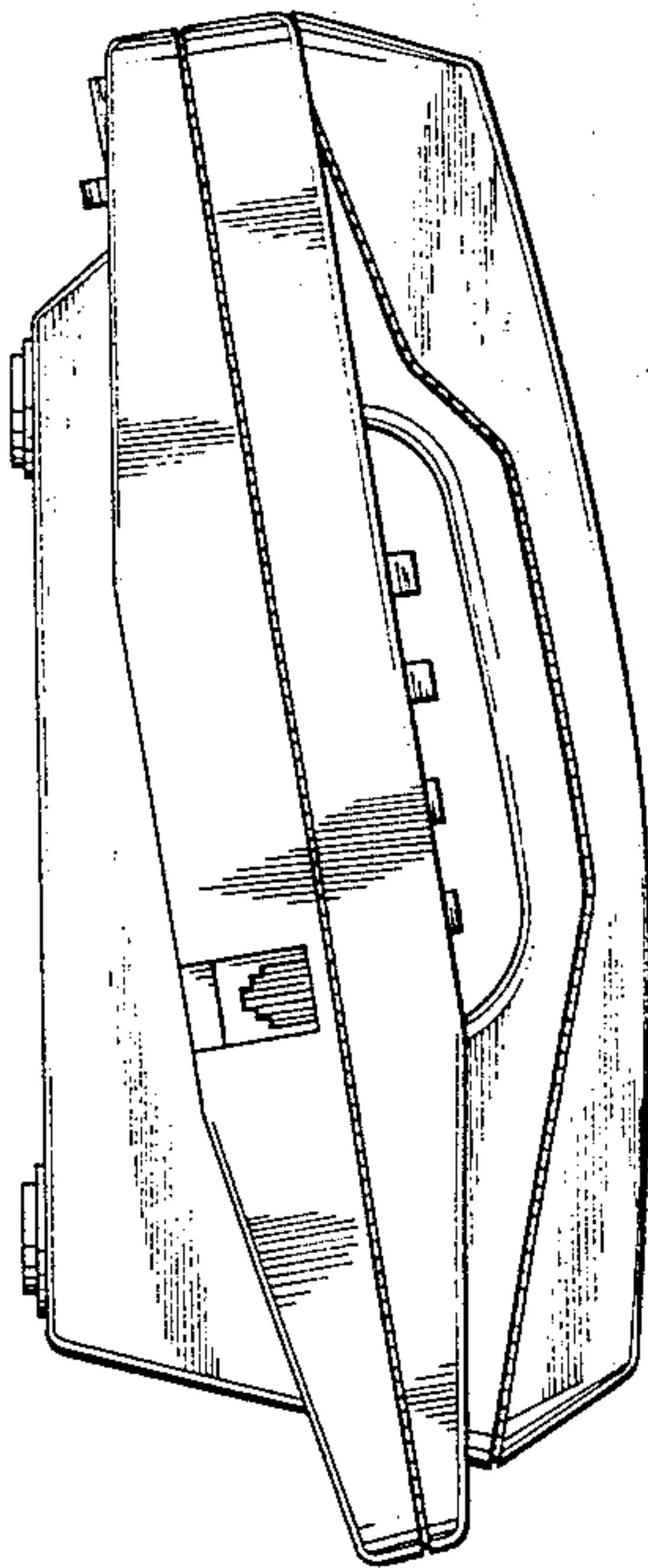


FIG. 1.

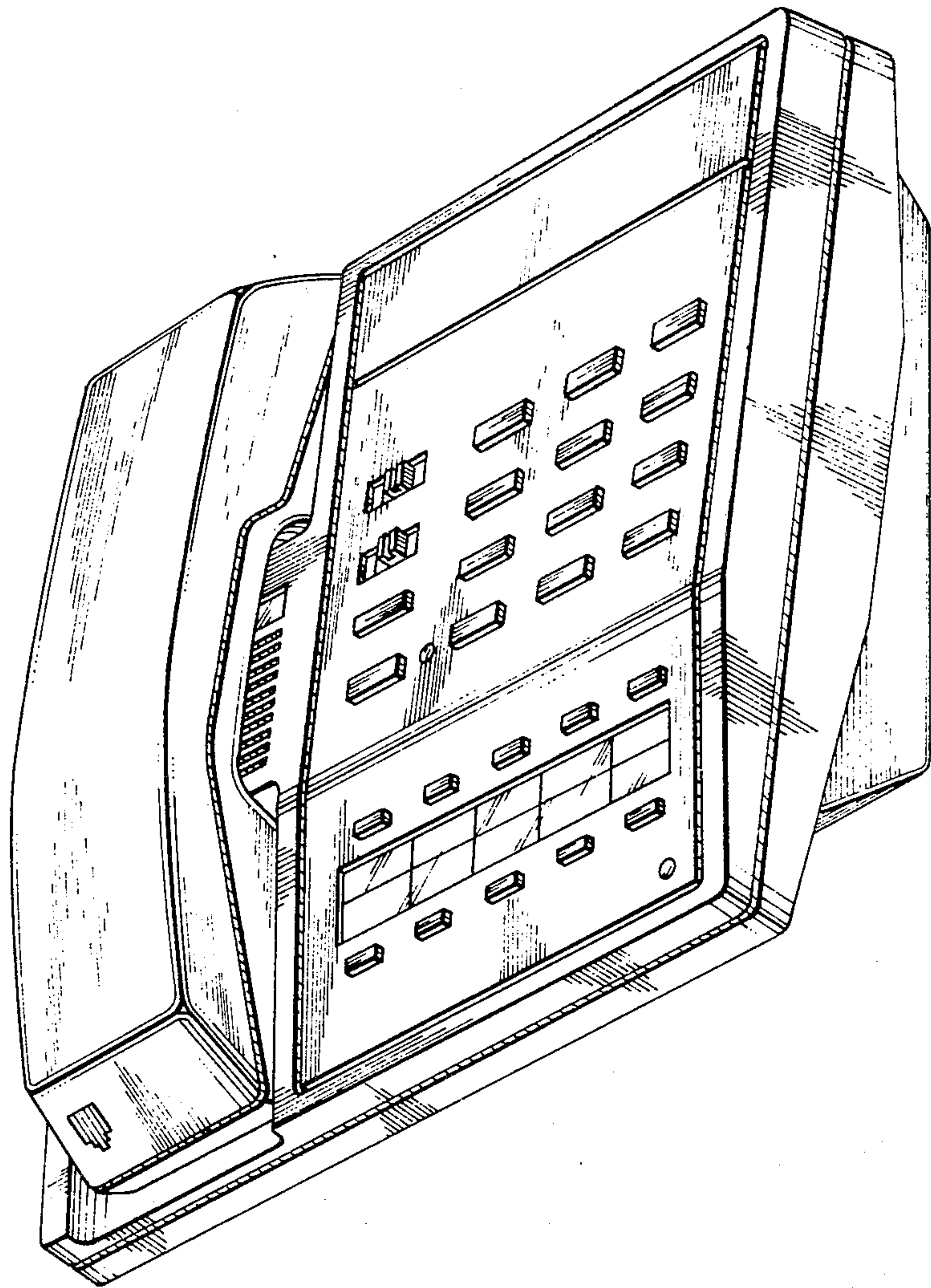


FIG. 2.

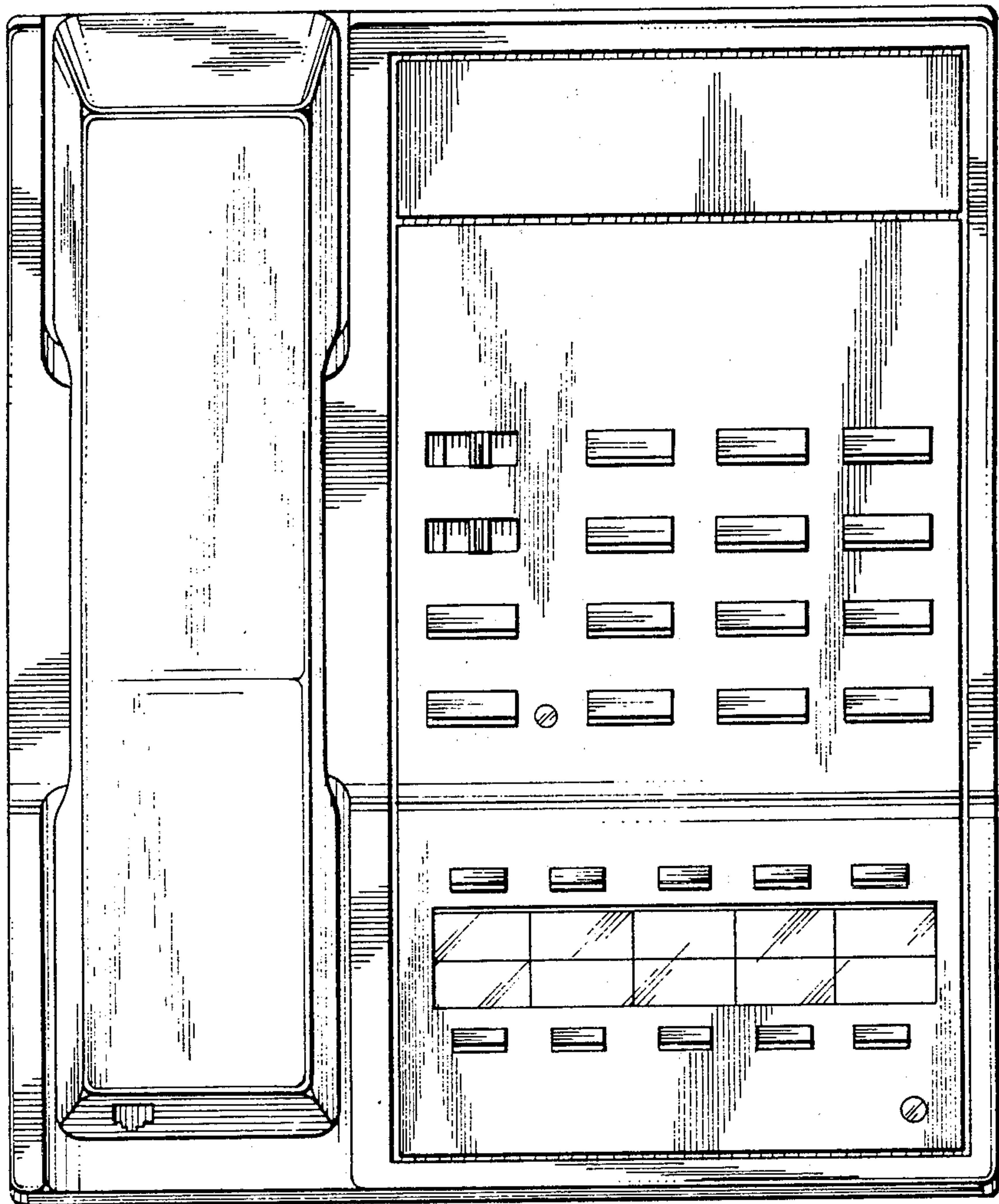


FIG. 3.

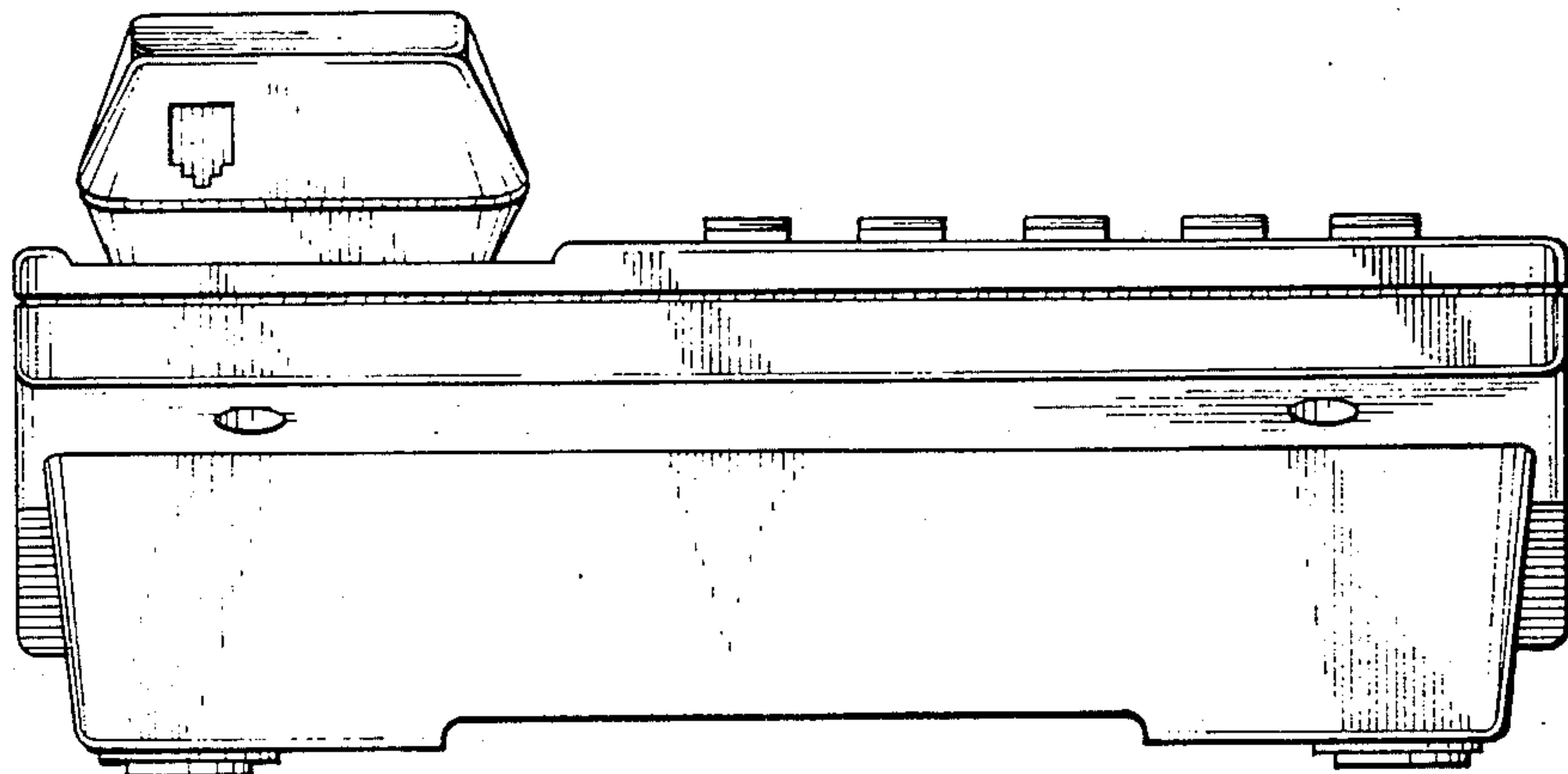


FIG. 4.

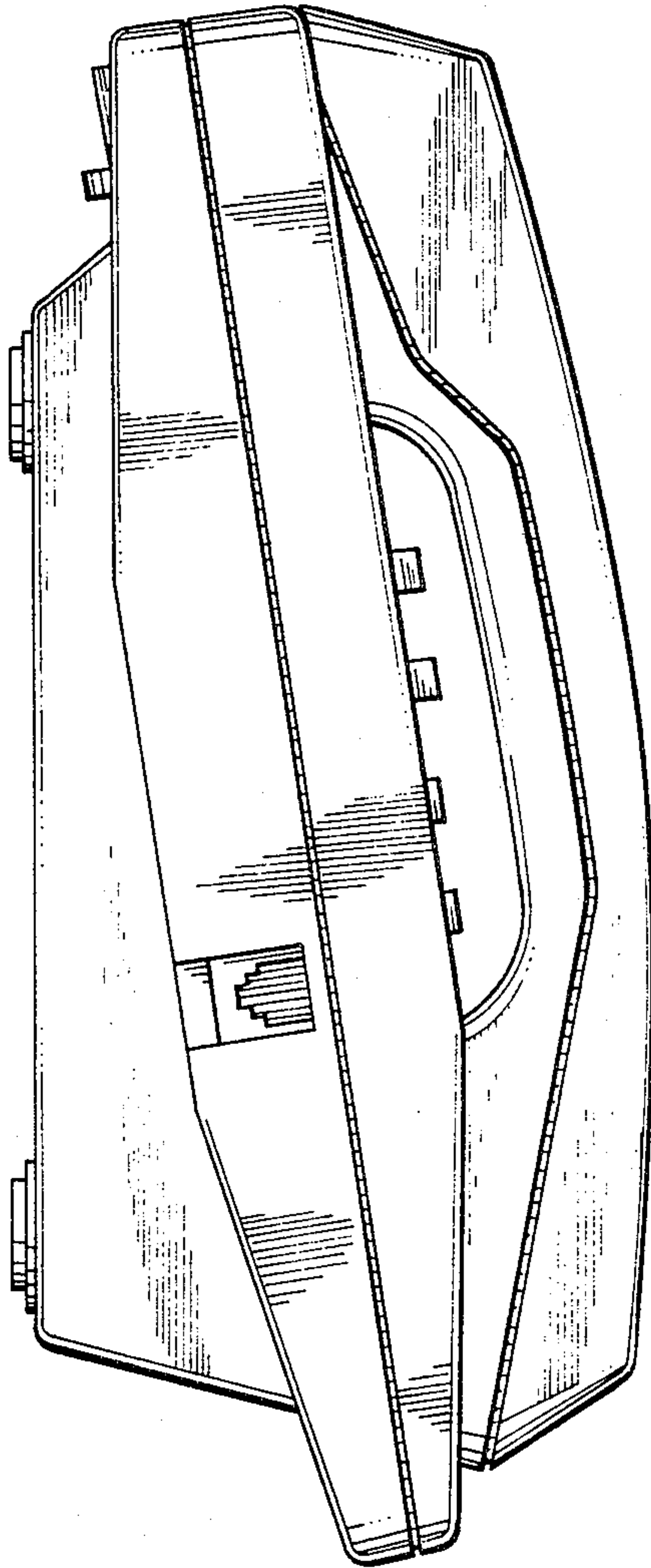


FIG. 6.

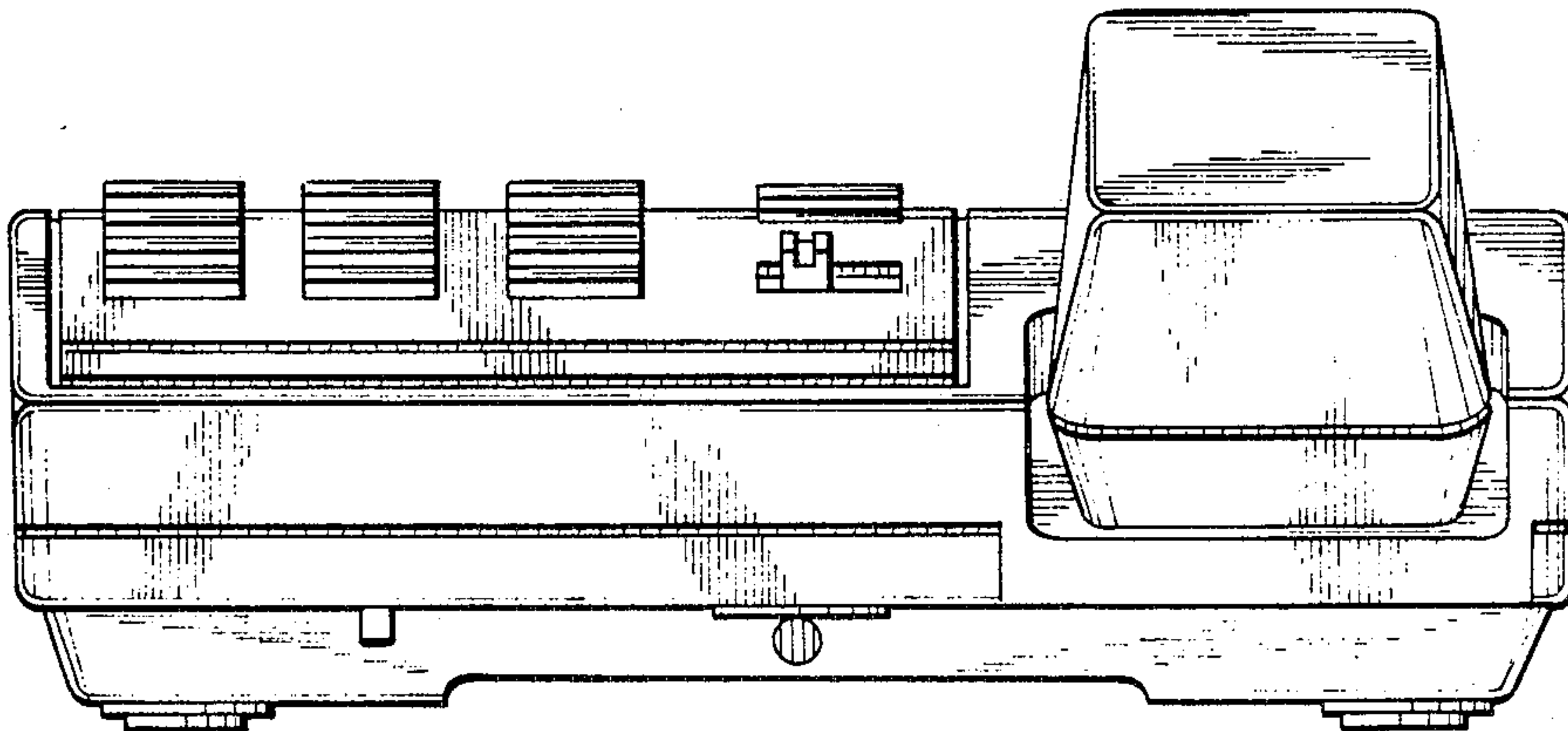


FIG. 7.

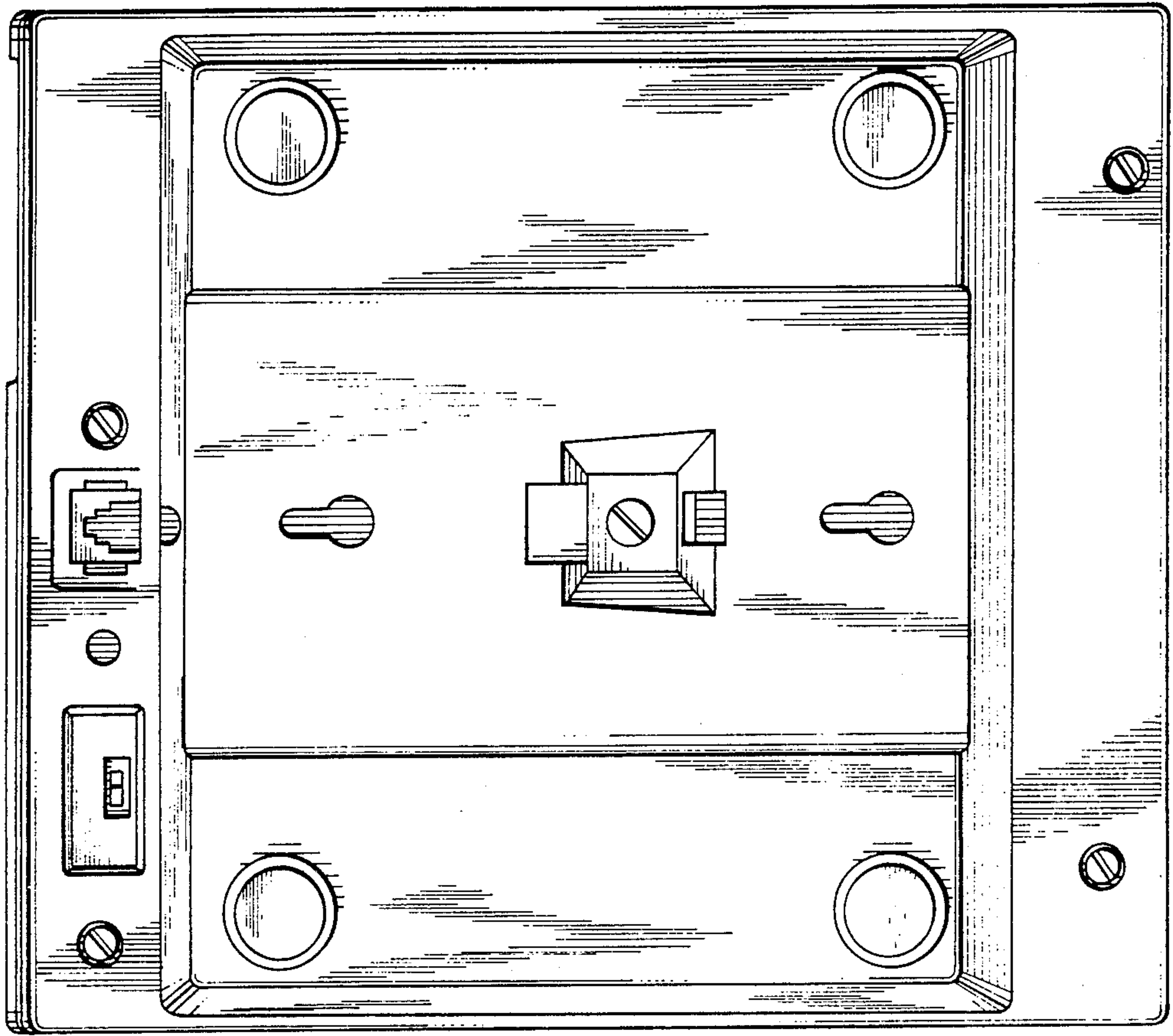


FIG. 5.

