

[54] HANDSET AND STAND TELEPHONE UNIT

4,375,584 3/1983 Mazumdan et al. 179/100 D

[75] Inventors: Akira Sekiguchi, Tokyo; Hideaki Kodama, Sagamihara, both of Japan

Primary Examiner—Wallace R. Burke
Assistant Examiner—Horace B. Fay
Attorney, Agent, or Firm—Oblon, Fisher, Spivak,
McClelland & Maier

[73] Assignee: Iwatsu Electric Co., Ltd., Tokyo, Japan

[**] Term: 14 Years

[57] CLAIM

[21] Appl. No.: 679,122

The ornamental design for a handset and stand telephone unit, as shown and described.

[22] Filed: Dec. 6, 1984

DESCRIPTION

[30] Foreign Application Priority Data

Aug. 28, 1984 [JP] Japan 59-35857
Aug. 28, 1984 [JP] Japan 59-35858
Aug. 28, 1984 [JP] Japan 59-35859

FIG. 1 is a top plan view of a handset and stand telephone unit, showing our new design; FIG. 2 is a front elevational view thereof; FIG. 3 is a bottom plan view thereof; FIG. 4 is a rear elevational view thereof; FIG. 5 is a side elevational view thereof taken from the right side of FIG. 1; FIG. 6 is a side elevational view thereof taken from the left side of FIG. 1; FIG. 7 is a front, top and right side perspective view thereof with the handset cradled in the stand; and FIG. 8 is a front, bottom, and left side associated perspective view of the handset, positioned above the stand, and a front, top and right side perspective view of the stand.

[52] U.S. Cl. D14/53; D14/57; D14/62; D14/63; D14/58

[58] Field of Search D14/52, 53, 56, 58, D14/62, 63; 179/179, 106 R, 100 D, 100 C, 100 L, 101, 102, 103

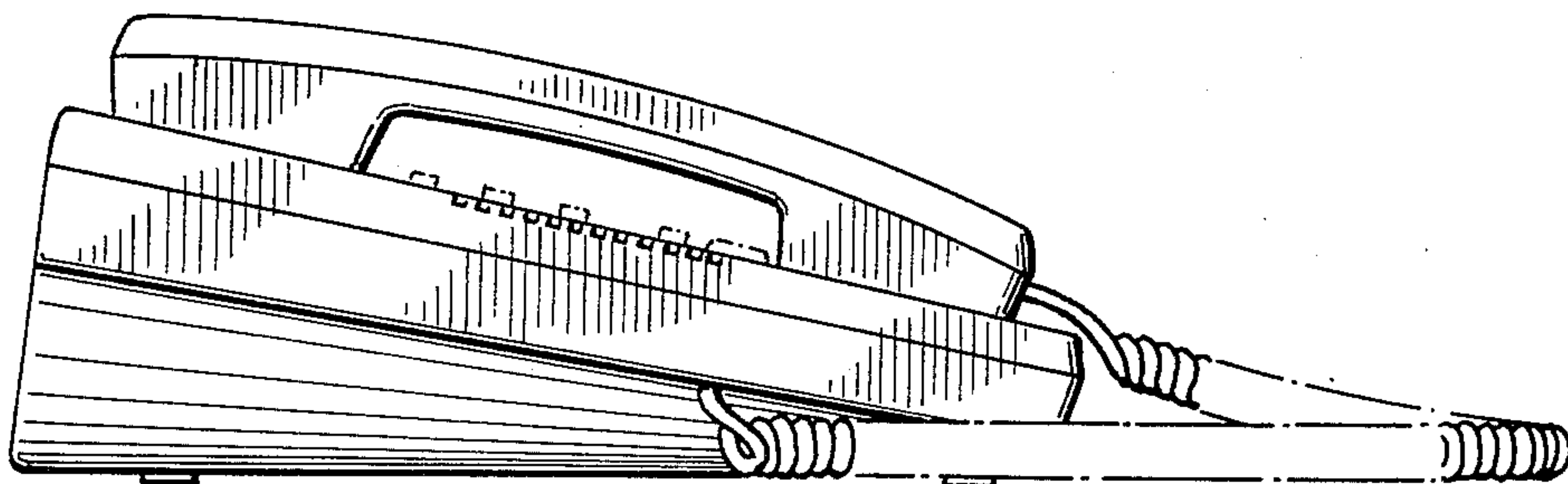
[56] References Cited

U.S. PATENT DOCUMENTS

D. 254,436 3/1980 Bakal D14/53
D. 260,643 9/1981 Foggia et al. D14/60
D. 274,515 7/1984 Kraemen D14/53
D. 274,959 8/1984 Glembocki et al. D6/555
D. 276,338 11/1984 Pardo D14/59
D. 282,066 1/1986 Menei et al. D14/62
D. 282,545 2/1986 Inagi et al. D14/62
D. 283,507 4/1986 Van Gillueve D14/62
4,150,257 4/1979 Fenton et al. 179/18 BE
4,296,282 10/1981 O'Neil et al. 179/99 LS

The broken line showing of keyboard garniture, which includes pushbuttons, light indicators, index, etc., in FIGS. 1, 2, 5, 6, 7 and 8 is for illustrative purposes only and forms no part of the claimed design.

In FIGS. 1, 3, 5, 6, 7 and 8, portions of the cord are shown in broken lines for facility of illustration and clarity of representation.



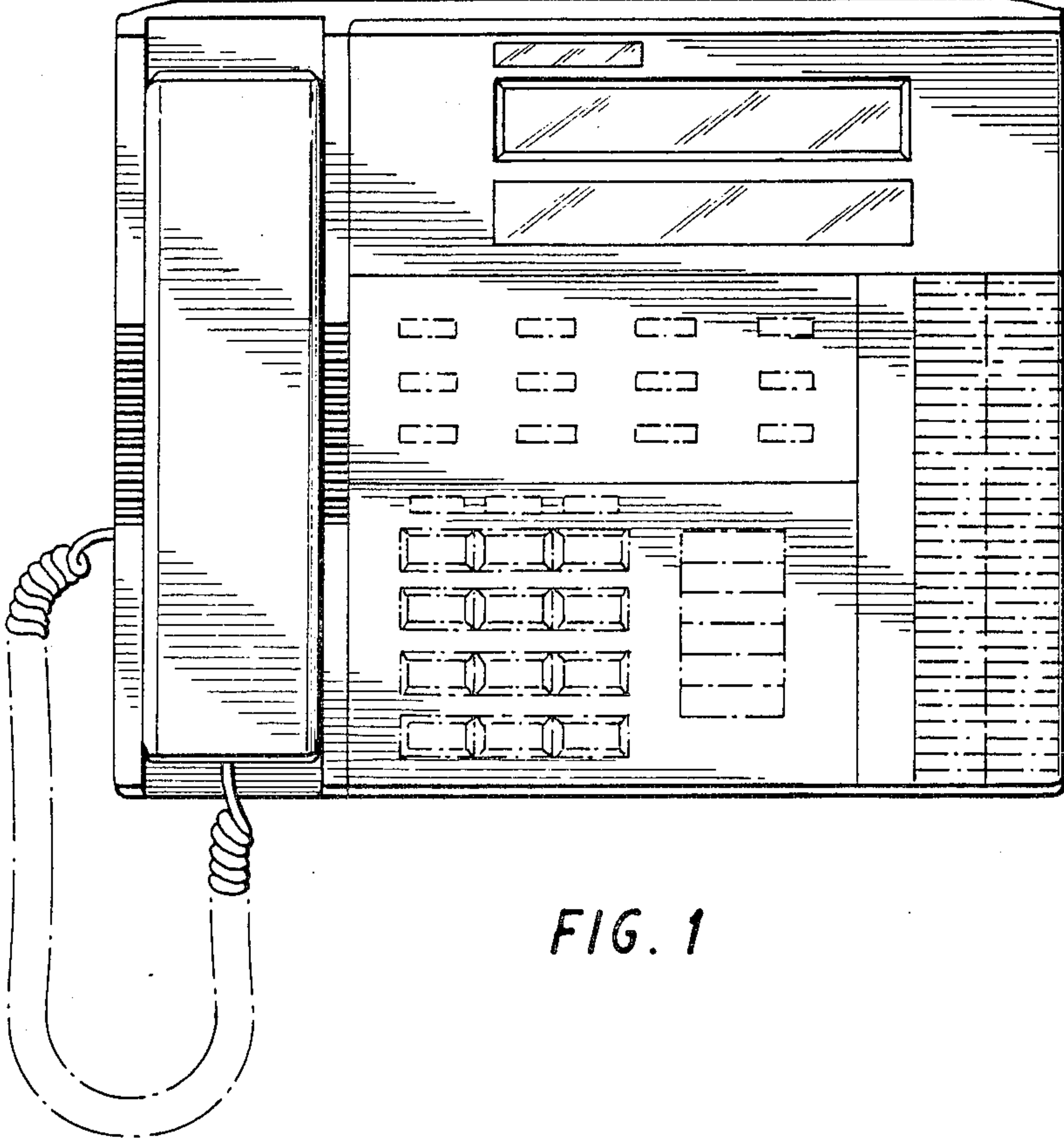


FIG. 1

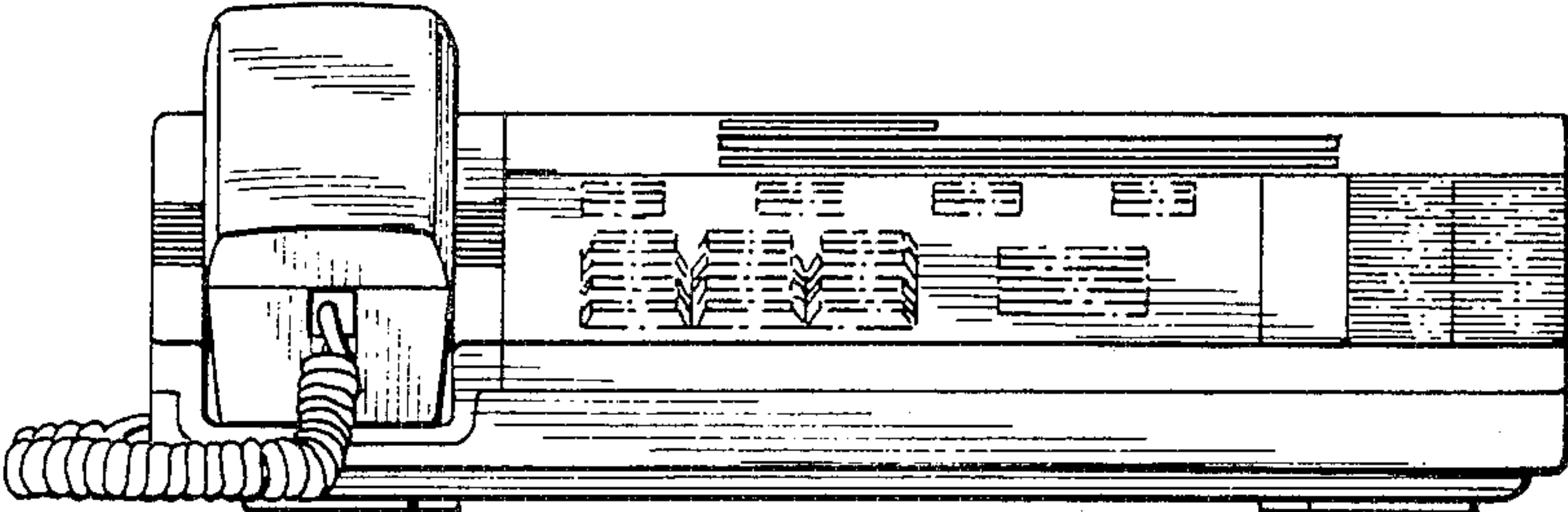


FIG. 2

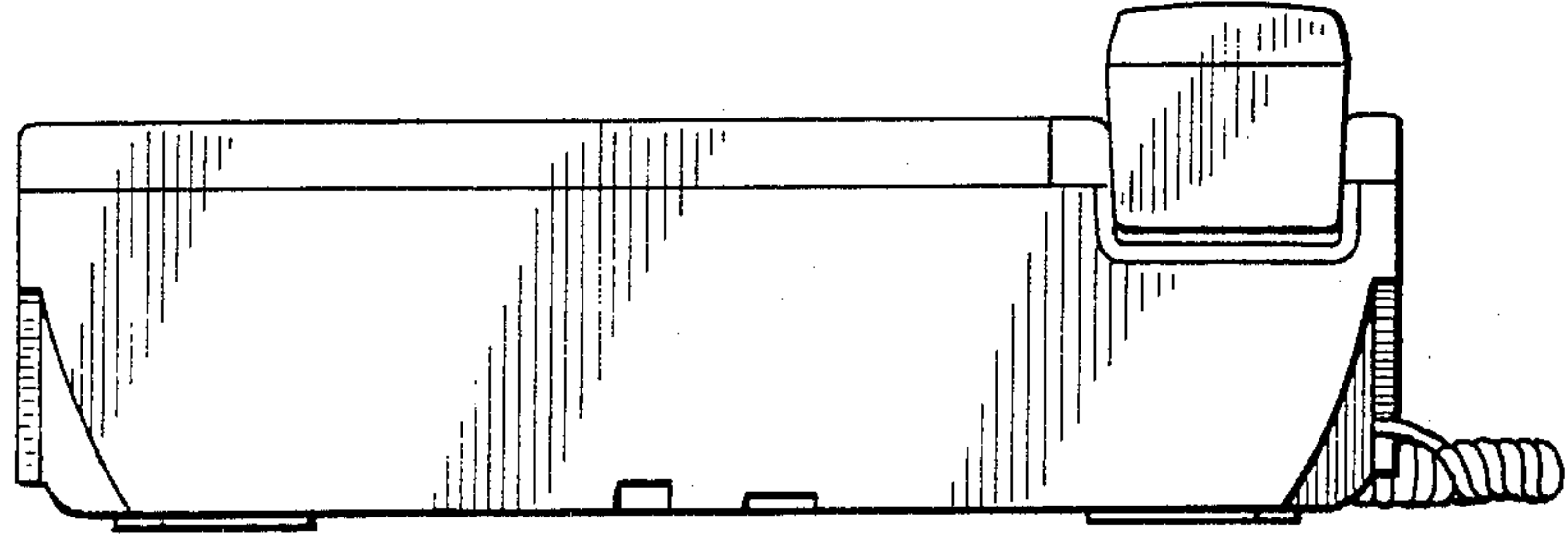


FIG. 4

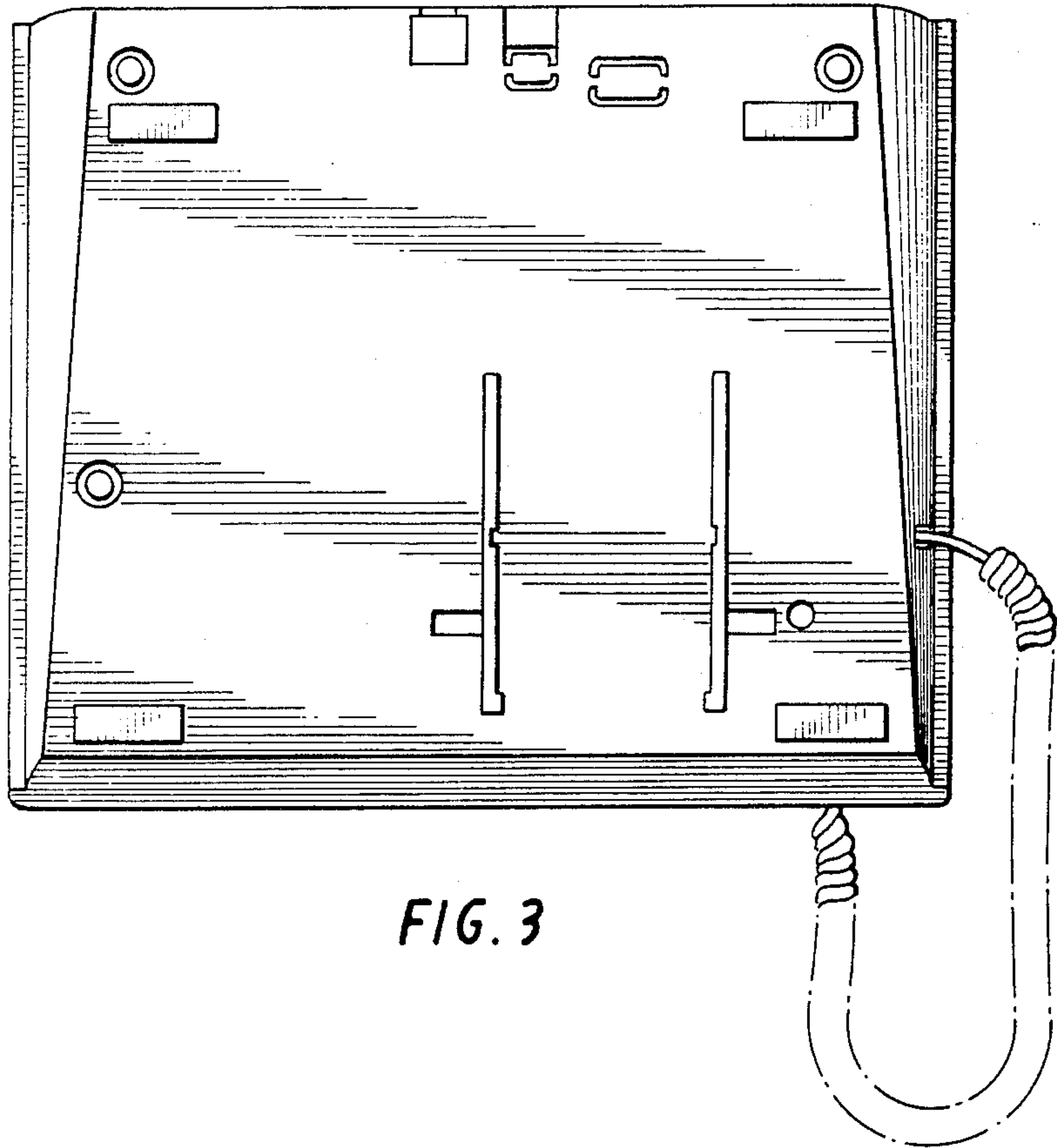


FIG. 3

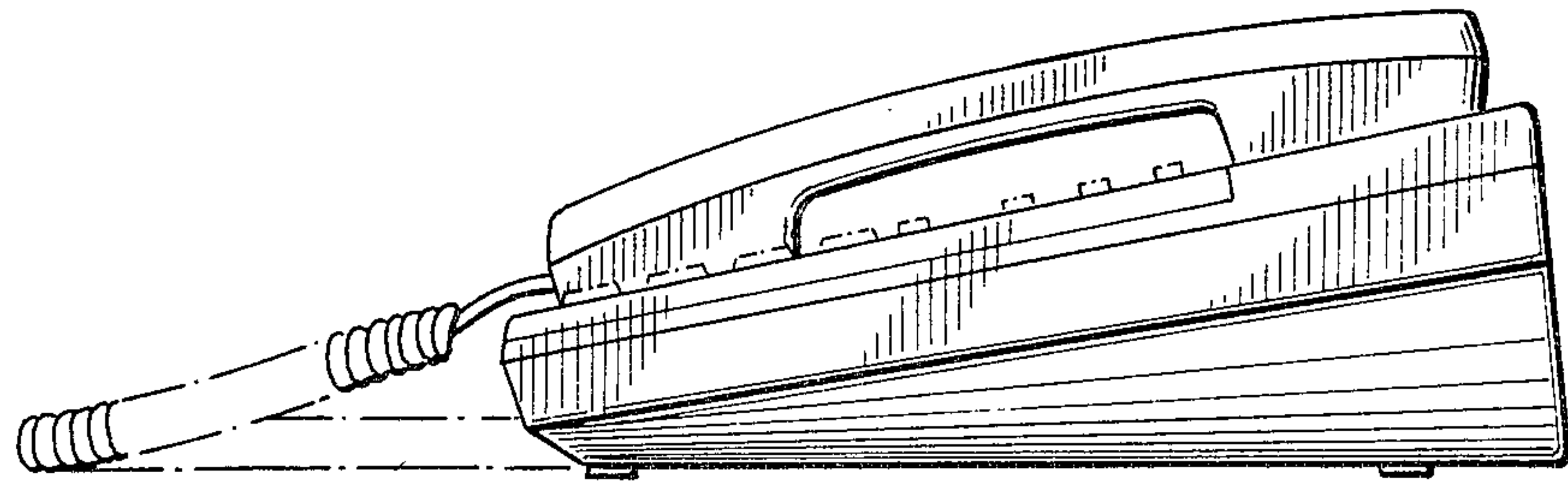


FIG. 5

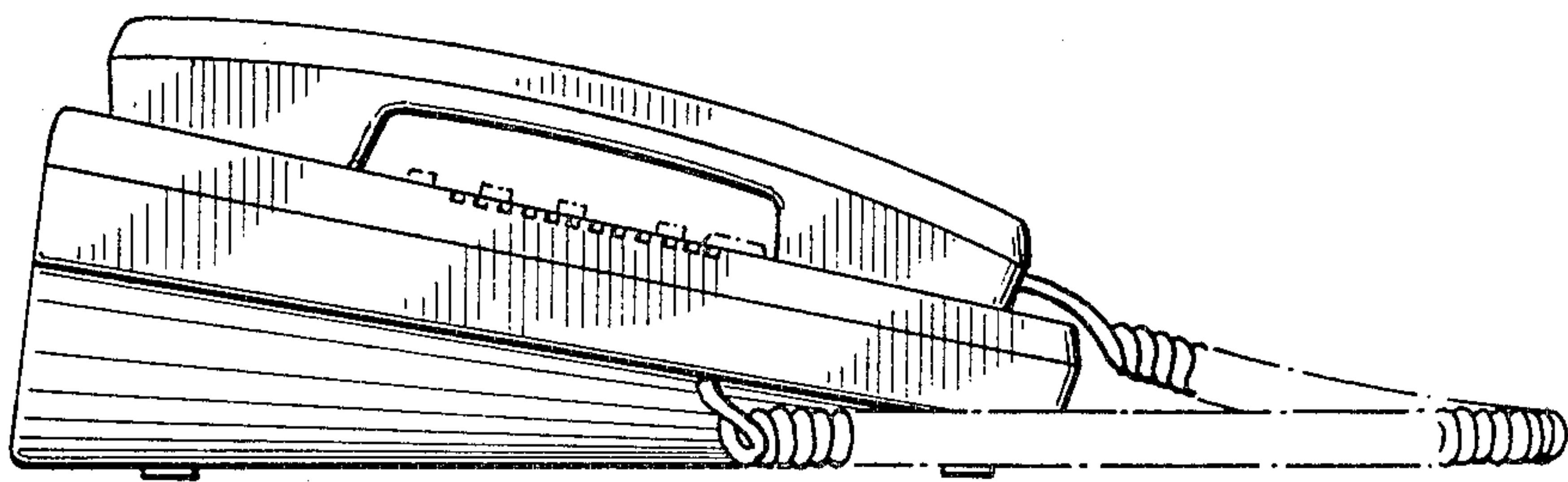


FIG. 6

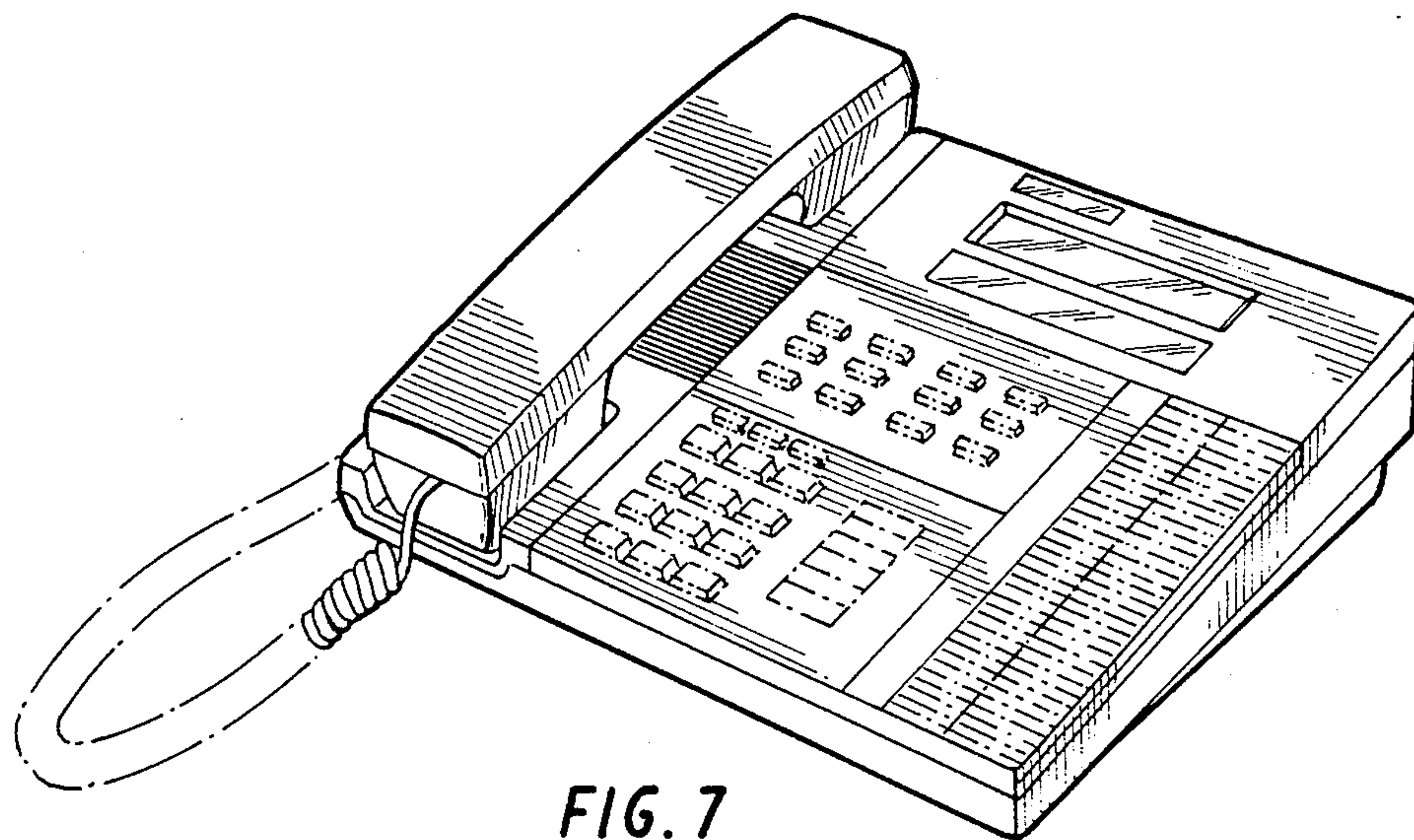


FIG. 7

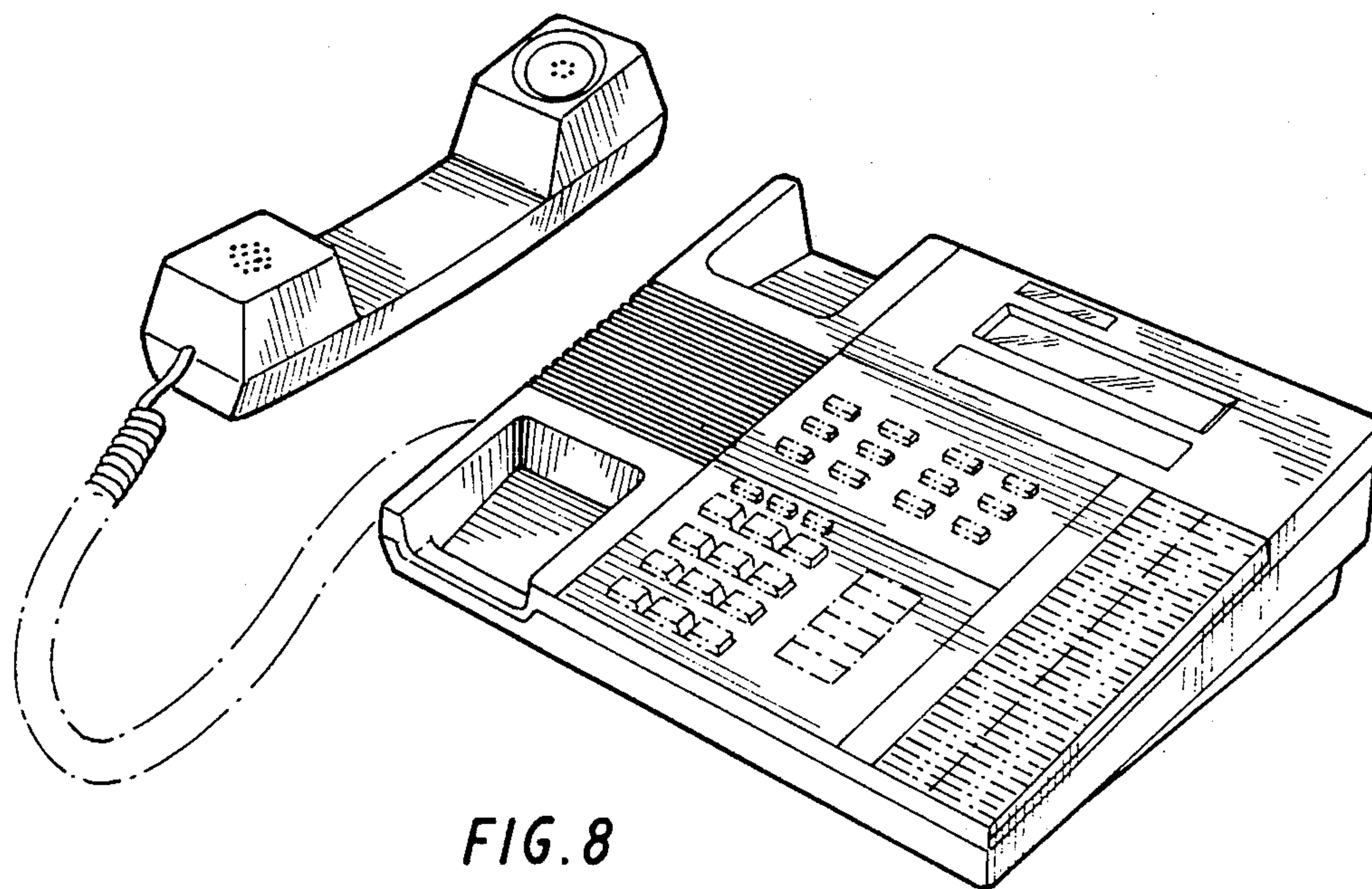


FIG. 8

UNITED STATES PATENT AND TRADEMARK OFFICE
CERTIFICATE OF CORRECTION

PATENT NO. : D287,490

DATED : 12/30/86

INVENTOR(S) : AKIRA SEKIGUCHI ET AL

It is certified that error appears in the above-identified patent and that said Letters Patent is hereby corrected as shown below:

Title page:

In the Foreign Application Priority Data, please change the following Serial Numbers "59-35857, 59-35858, 59-35859" to --59-35860, 59-35861--.

**Signed and Sealed this
Fifteenth Day of November, 1988**

Attest:

DONALD J. QUIGG

Attesting Officer

Commissioner of Patents and Trademarks