

# United States Patent [19]

Hamer et al.

[11] Patent Number: **Des. 287,485**

[45] Date of Patent: **\*\* Dec. 30, 1986**

[54] SAFETY LOCK FOR AN ELECTRICAL PLUG

[76] Inventors: **Merlin L. Hamer**, 724 Prospect St.,  
La Jolla, Calif. 92037; **Wayne T. Mitchell**, 1864 Lake Dr.,  
Cardiff-by-the-Sea, Calif. 92007

[\*\*] Term: **14 Years**

[21] Appl. No.: **655,147**

[22] Filed: **Sep. 27, 1984**

[52] U.S. Cl. .... **D13/28**

[58] Field of Search ..... **D13/24, 25, 27-31;**  
**339/37**

[56] **References Cited**

**U.S. PATENT DOCUMENTS**

2,664,734 1/1954 McEneaney ..... 339/37

2,733,416 1/1956 Evalt ..... 339/37  
4,025,140 5/1977 Matys ..... 339/37

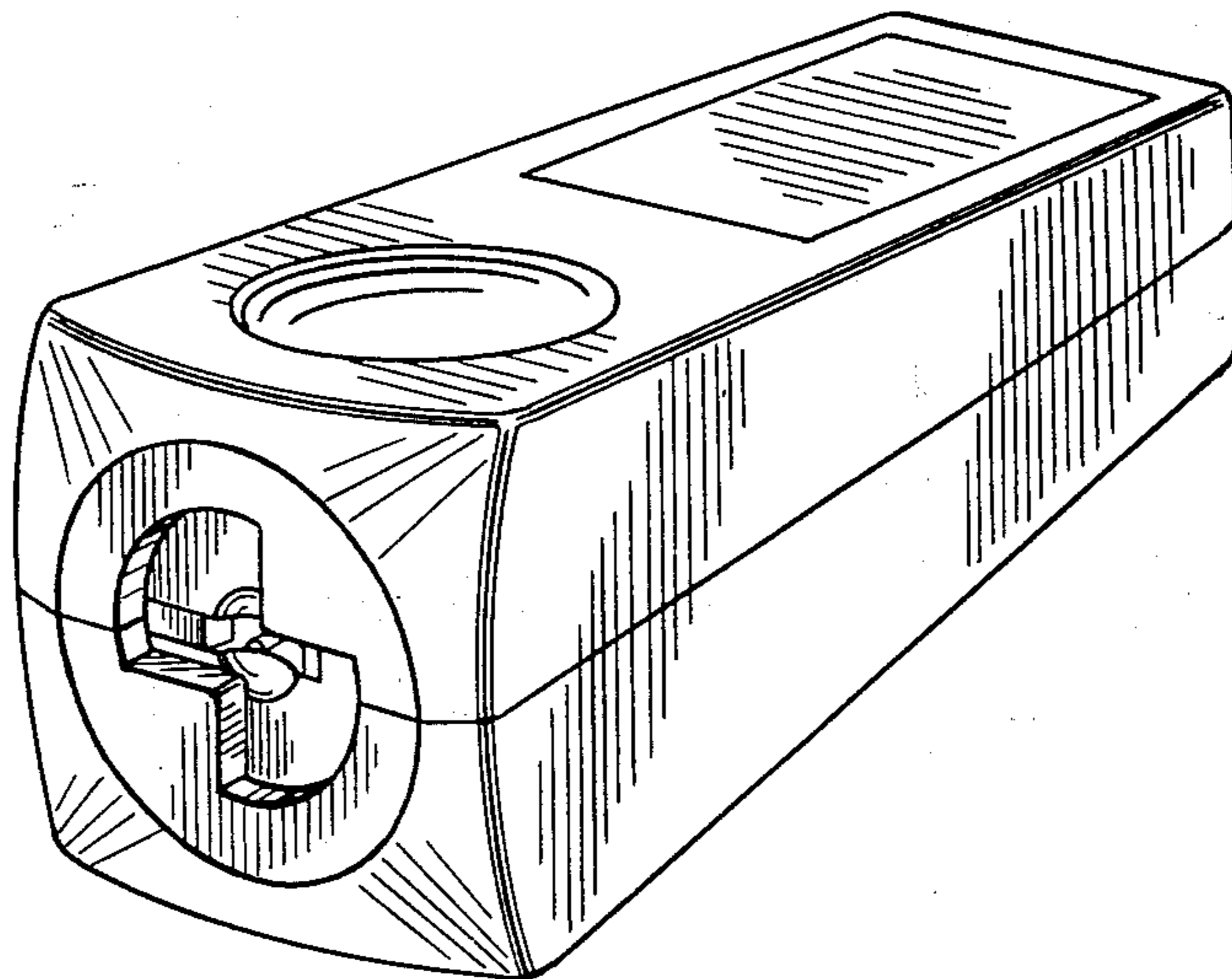
*Primary Examiner*—Susan J. Lucas  
*Attorney, Agent, or Firm*—Brown, Martin, Haller &  
Meador

[57] **CLAIM**

The ornamental design for a safety lock for an electrical plug, as shown and described.

### DESCRIPTION

FIG. 1 is a perspective view from the front of a safety lock for an electrical plug, showing my new design; FIG. 2 is a perspective view from the rear thereof; FIG. 3 is a top plan view thereof; the bottom view being similar; FIG. 4 is a front elevational view thereof; and FIG. 5 is a rear elevational view thereof.



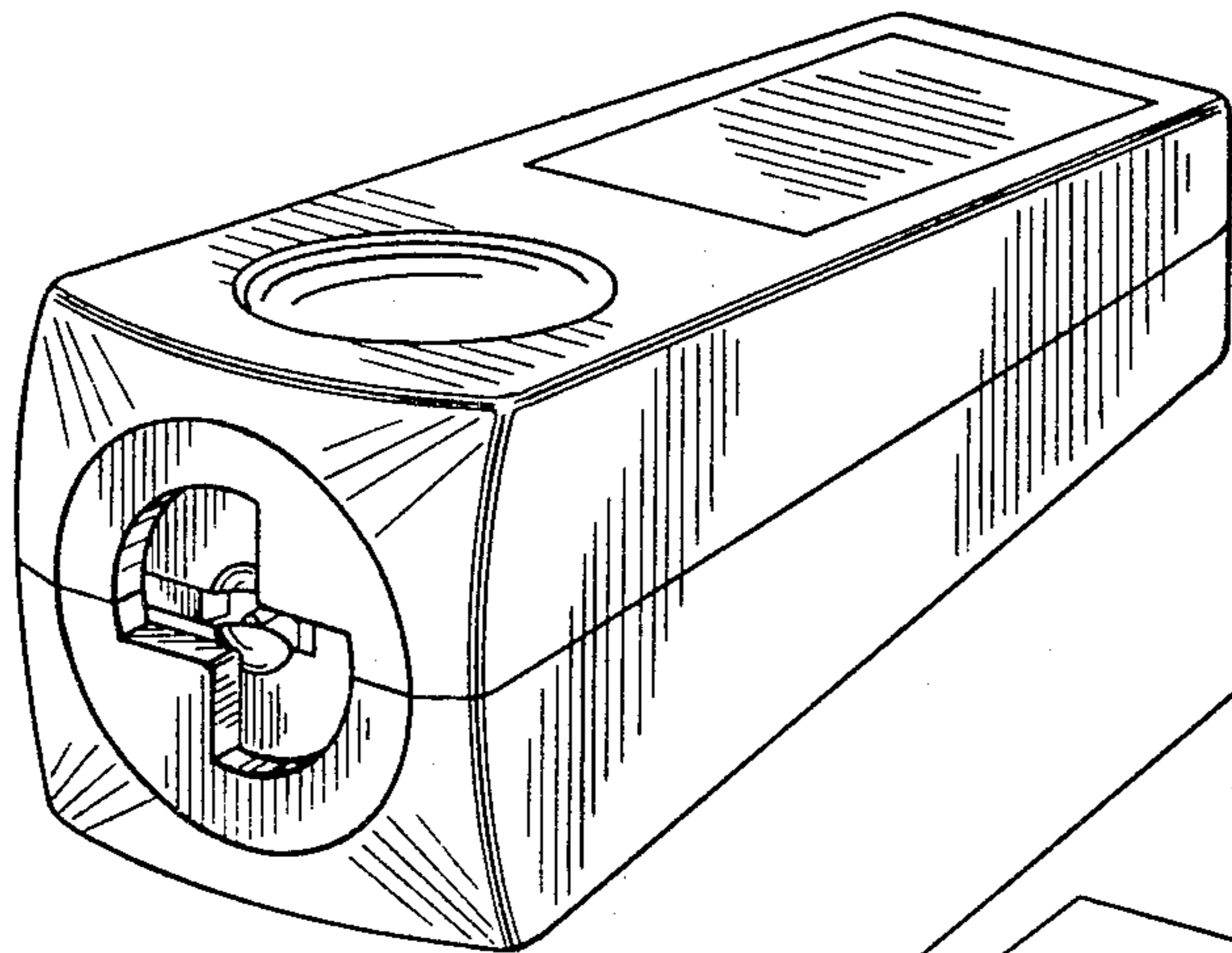


Fig. 1

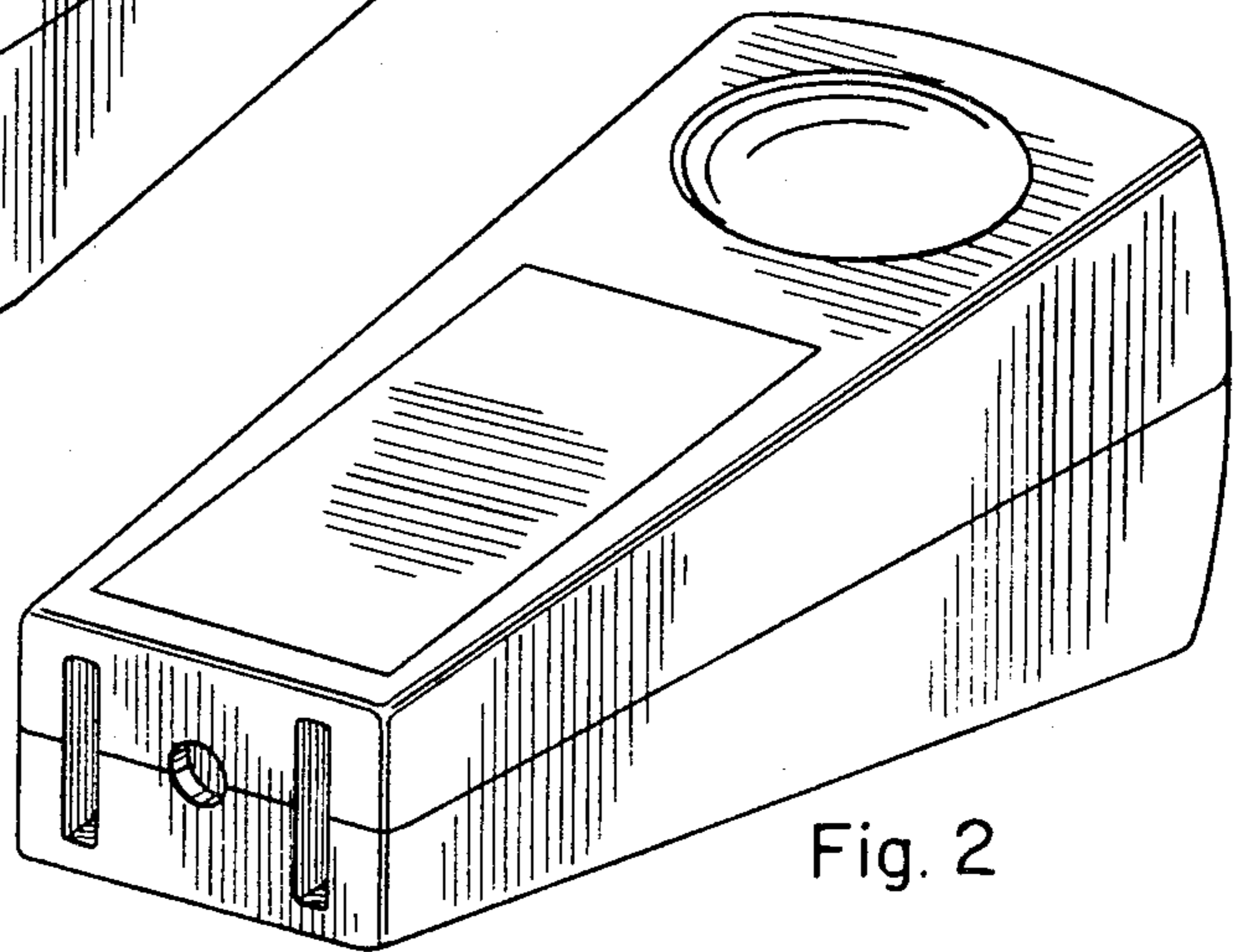


Fig. 2

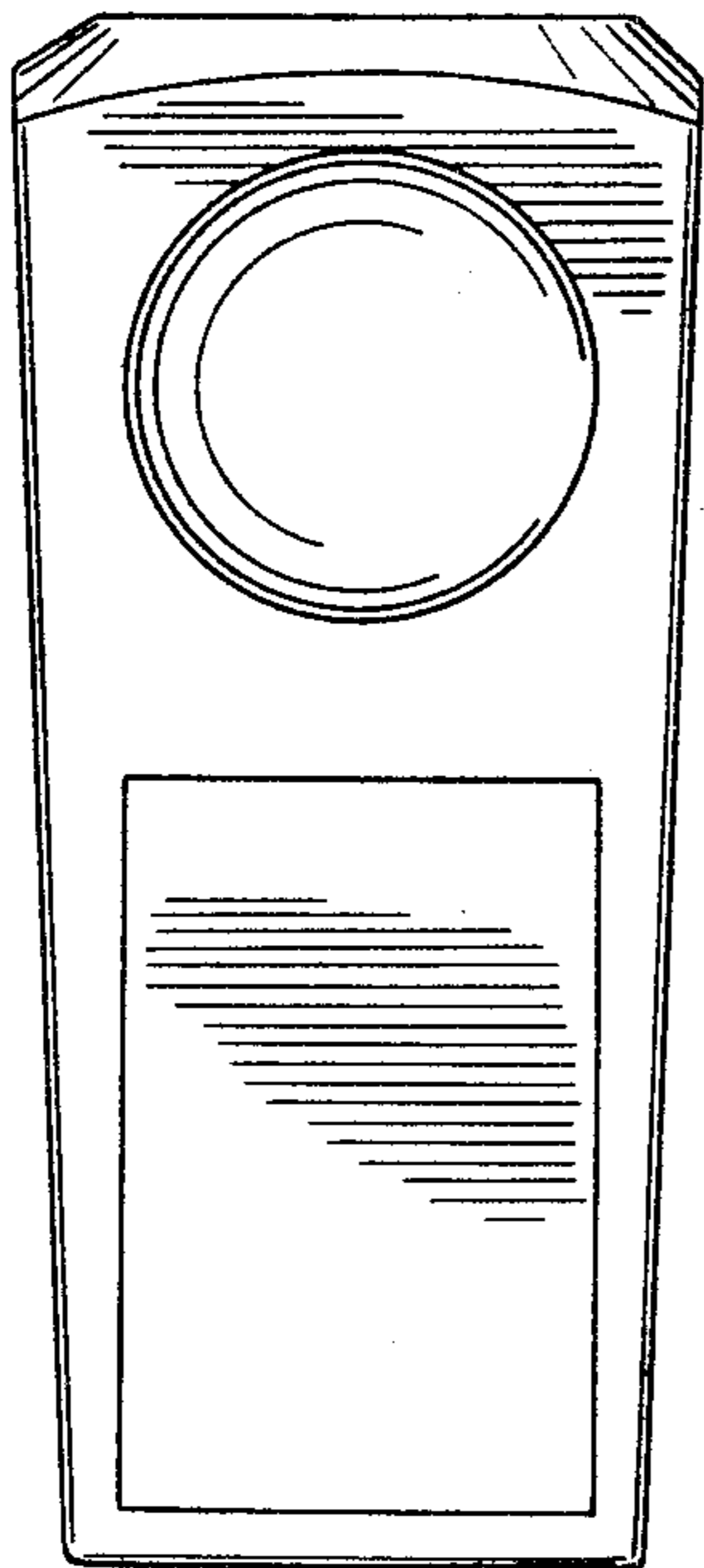


Fig. 3

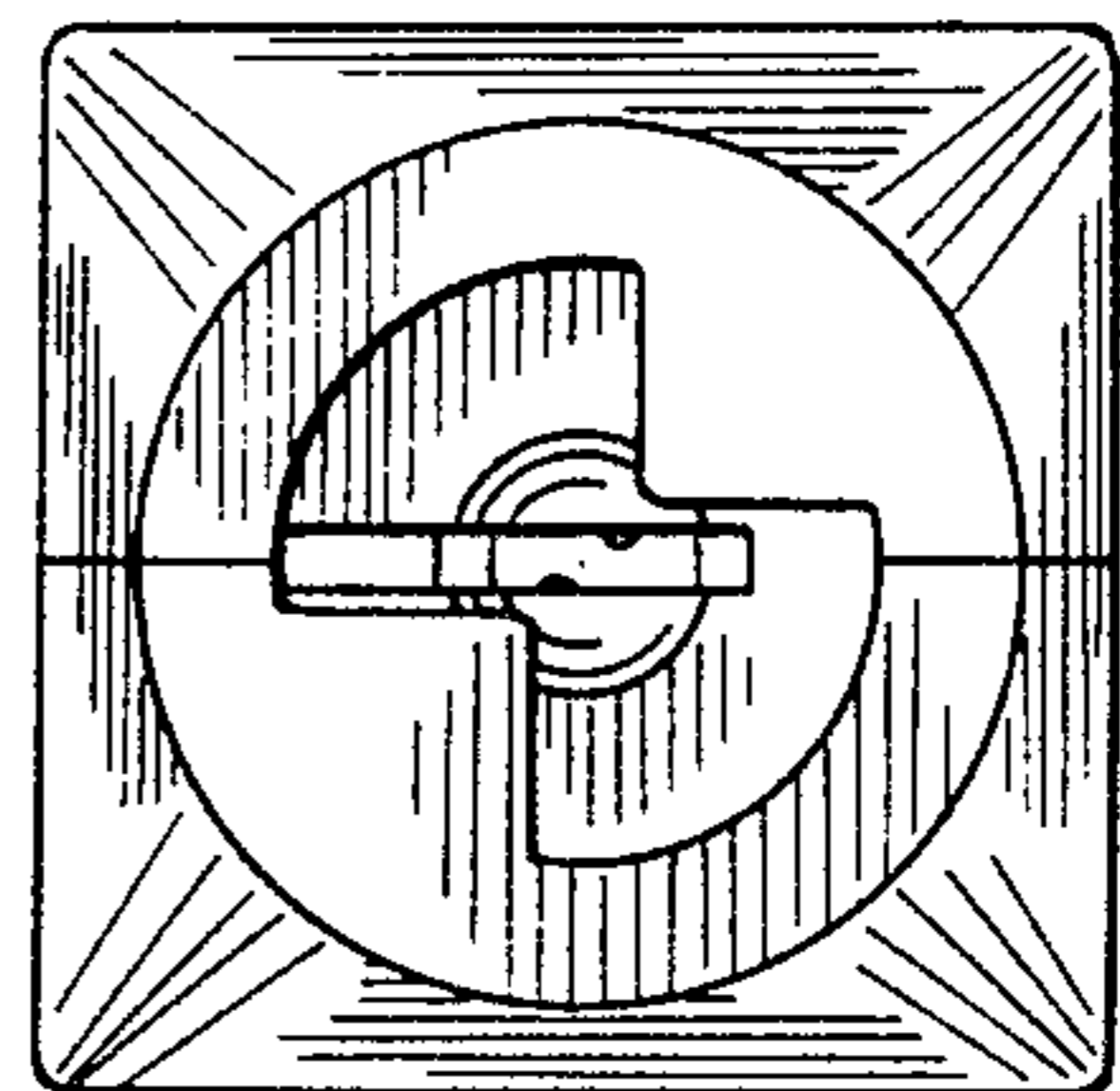


Fig. 4

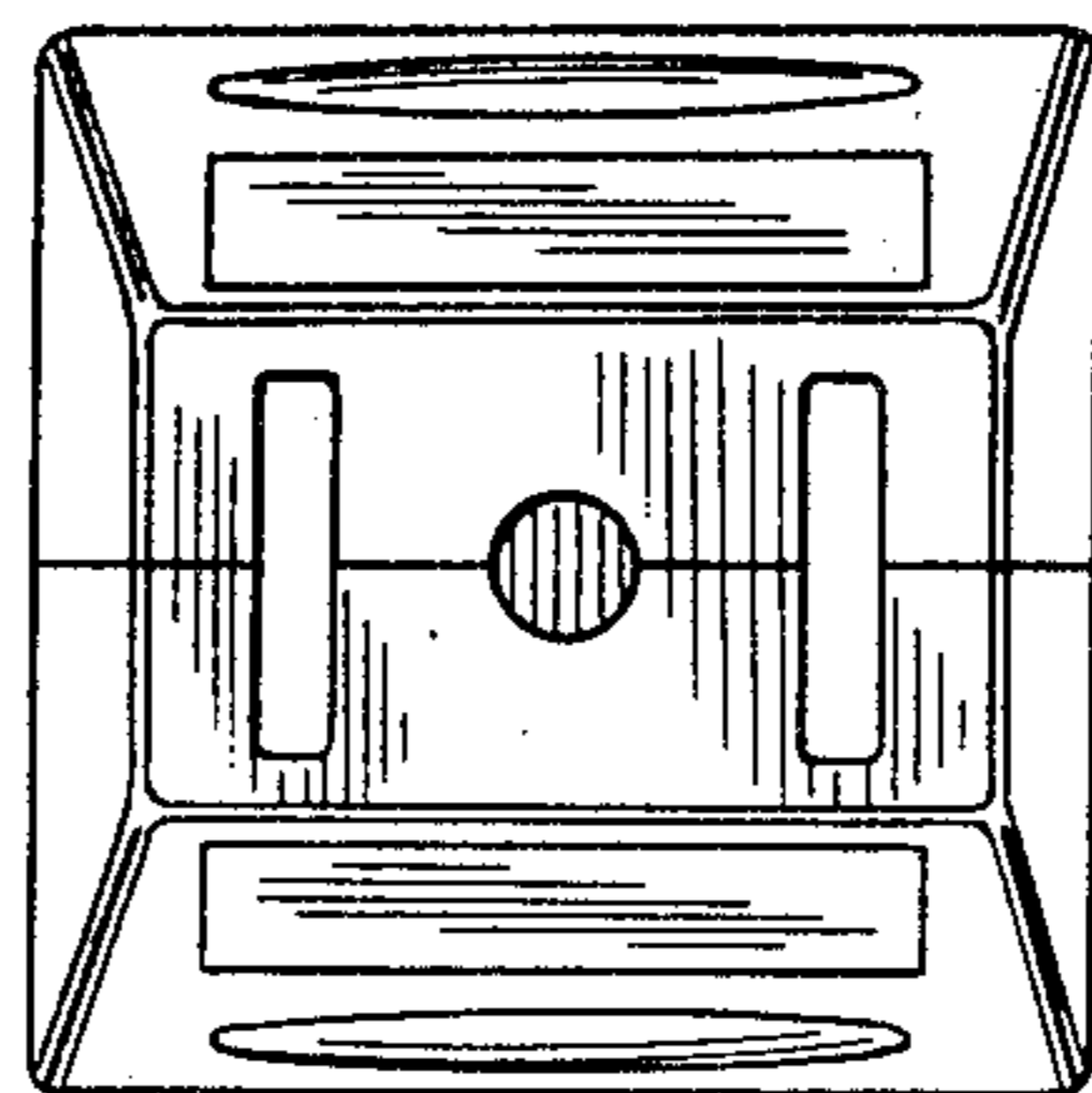


Fig. 5