

[54] ELECTRODE HOUSING OR THE LIKE

[75] Inventor: Guy F. Rodomista, Natick, Mass.

[73] Assignee: Abbott Laboratories, North Chicago, Ill.

[**] Term: 14 Years

[21] Appl. No.: 620,357

[22] Filed: Jun. 13, 1984

[52] U.S. Cl. D13/11; D13/99

[58] Field of Search D13/11-13, D13/17, 22, 24, 40-41, 99; D10/46, 49, 75, 80, 96, 100-101, 103; 220/4 A, 4 R, 76; 204/400, 416-419, 302-304; 174/17 R, 17 LF, 17.06, 23 R, 48, 50, 52 R, 65 R

[56] References Cited

U.S. PATENT DOCUMENTS

3,725,237 4/1973 Matsuyama et al. 204/417

3,737,379	6/1973	Tosteson	204/417
4,447,398	5/1984	Schwartz et al.	204/400
4,490,235	12/1984	Calzi	204/416
4,517,071	5/1985	Seshimoto	204/419

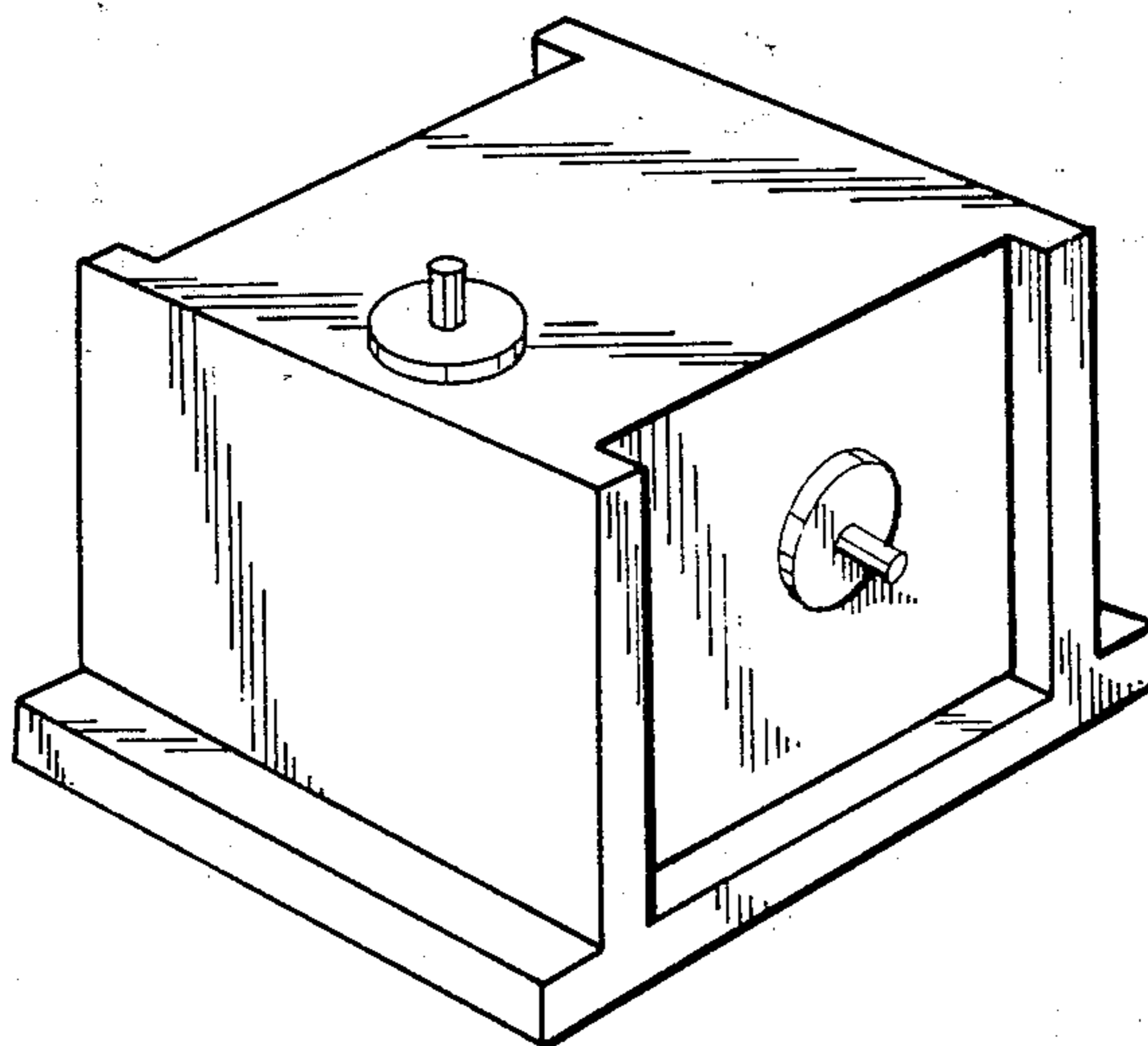
Primary Examiner—B. J. Bullock
Assistant Examiner—Ruth E. Takemoto
Attorney, Agent, or Firm—James L. Wilcox

[57] CLAIM

The ornamental design for an electrode housing or the like, substantially as shown and described.

DESCRIPTION

FIG. 1 is a top and front perspective view of an electrode housing or the like showing my new design; FIG. 2 is a front elevational view thereof; FIG. 3 is a bottom plan view thereof; FIG. 4 is a left side elevational view thereof; FIG. 5 is a top plan view thereof; FIG. 6 is a rear elevational view thereof; and FIG. 7 is a right side elevational view thereof.



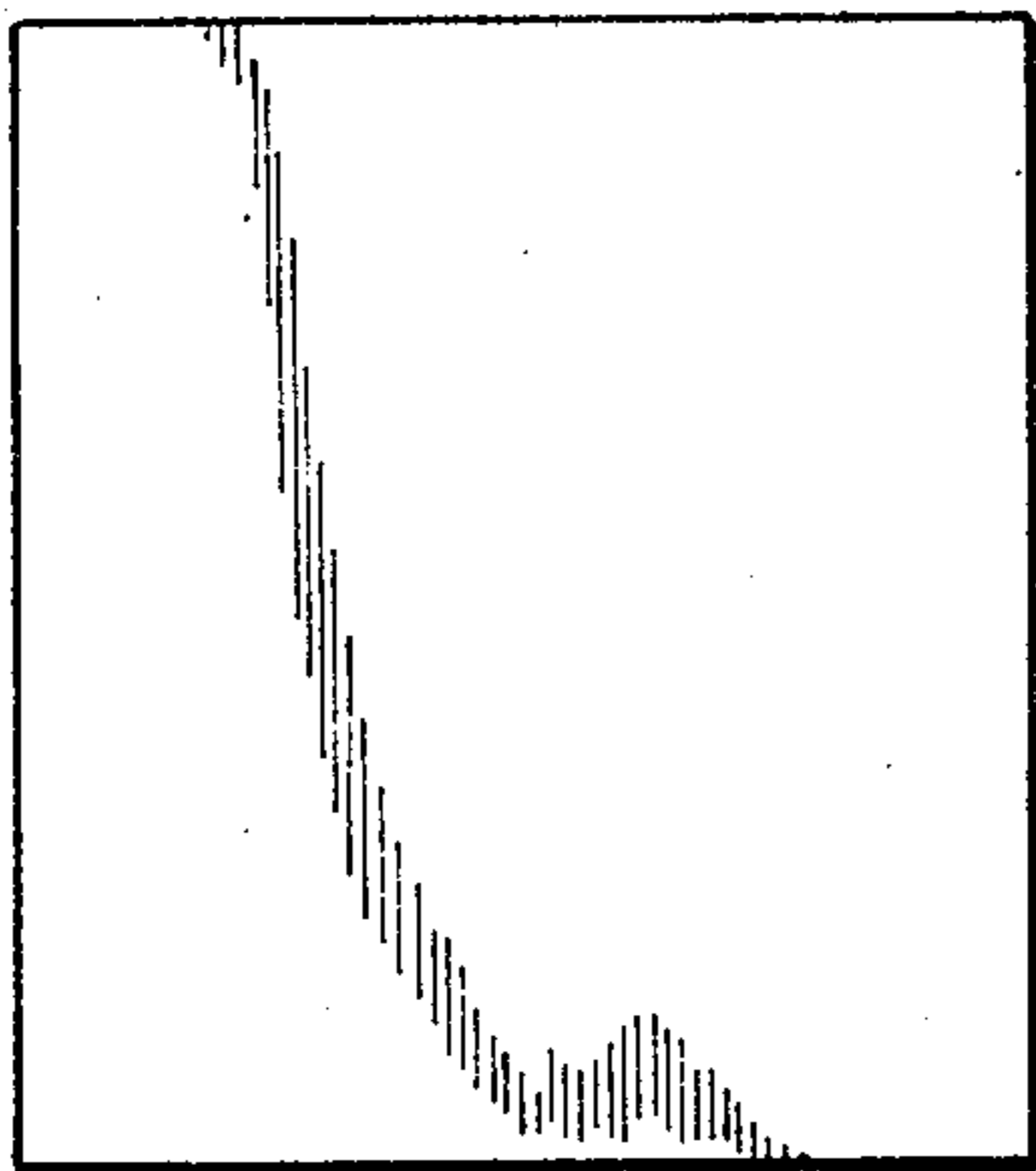


FIG. 3

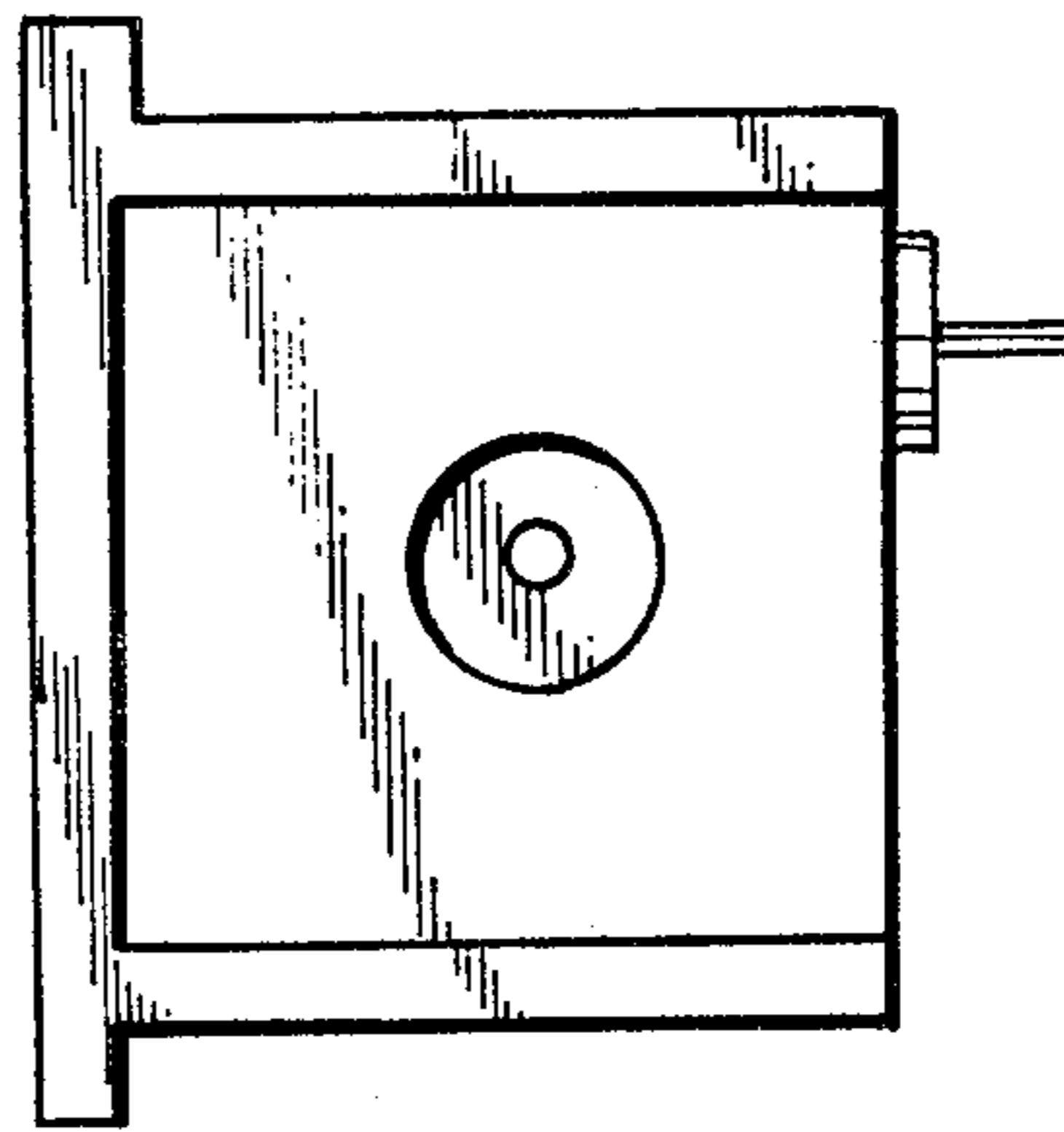


FIG. 2

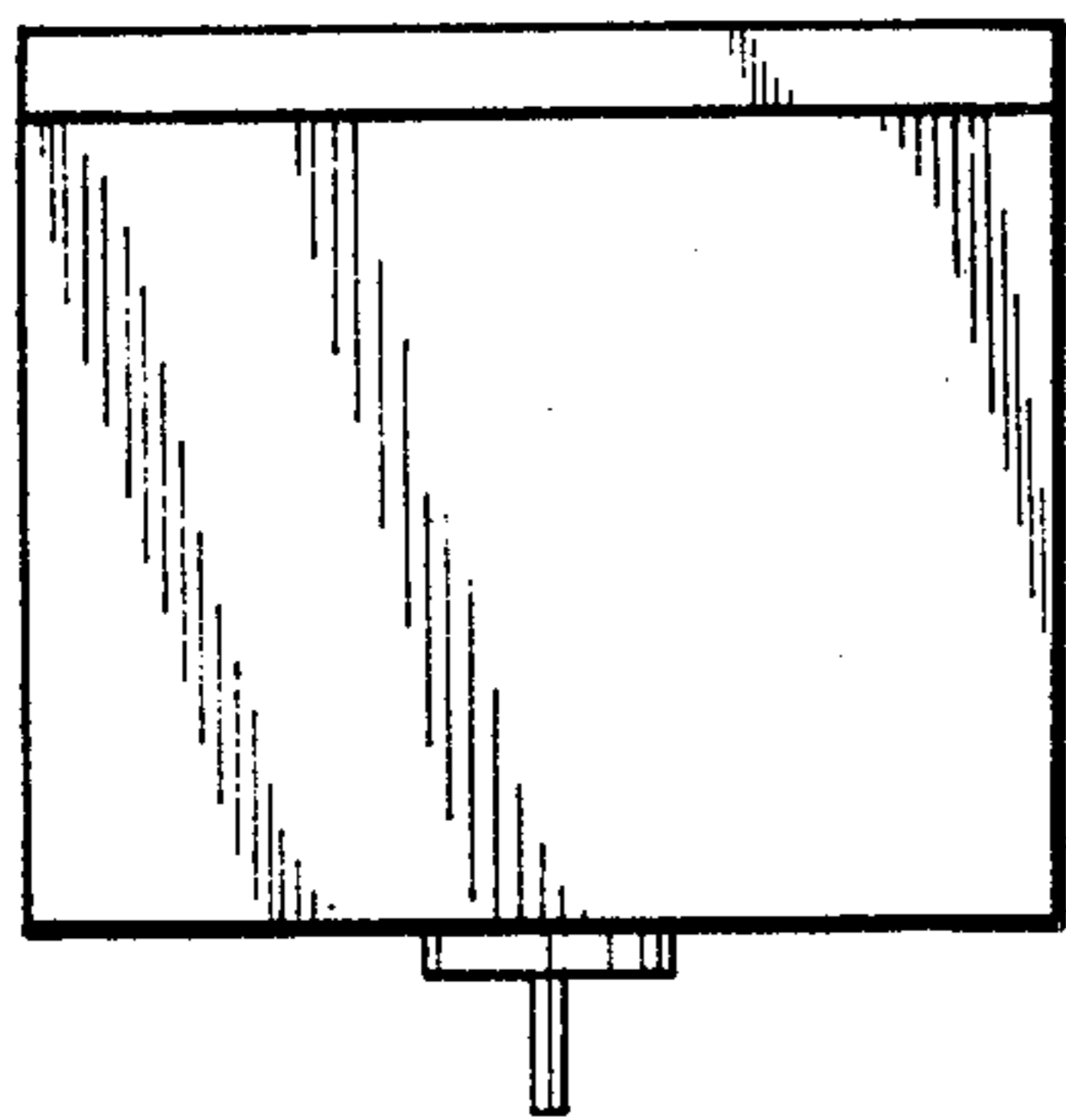


FIG. 4

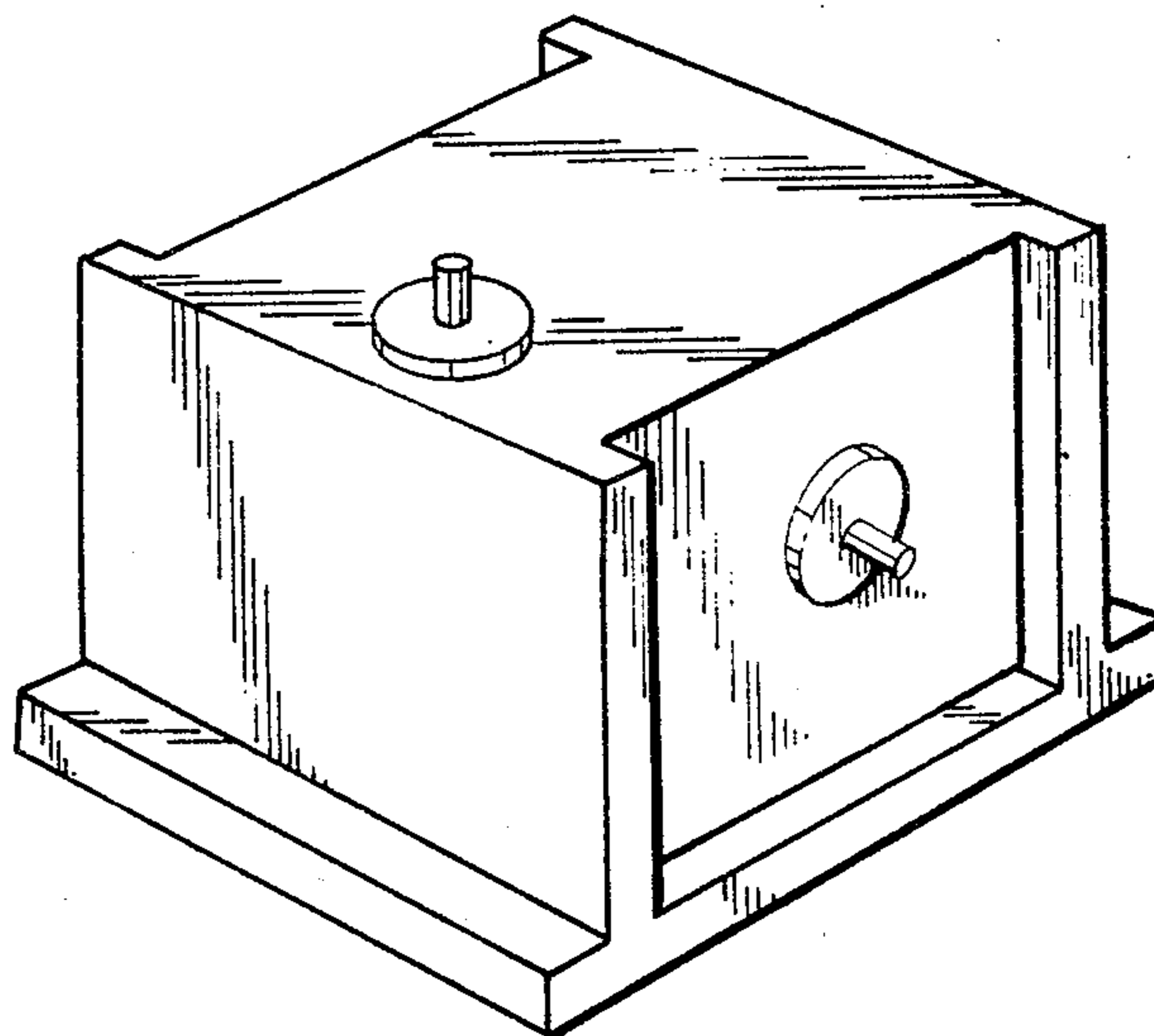


FIG. 1

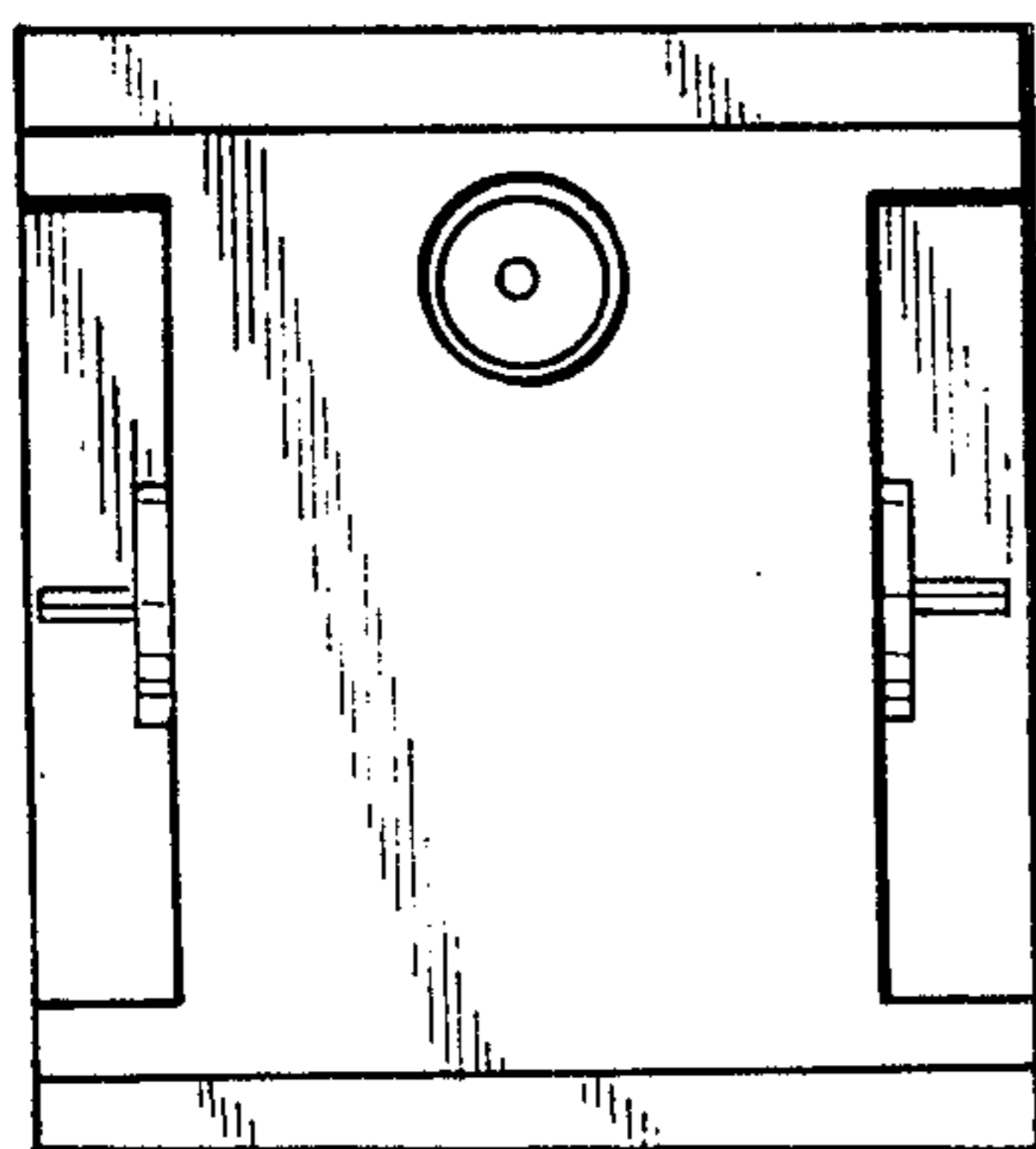


FIG. 5

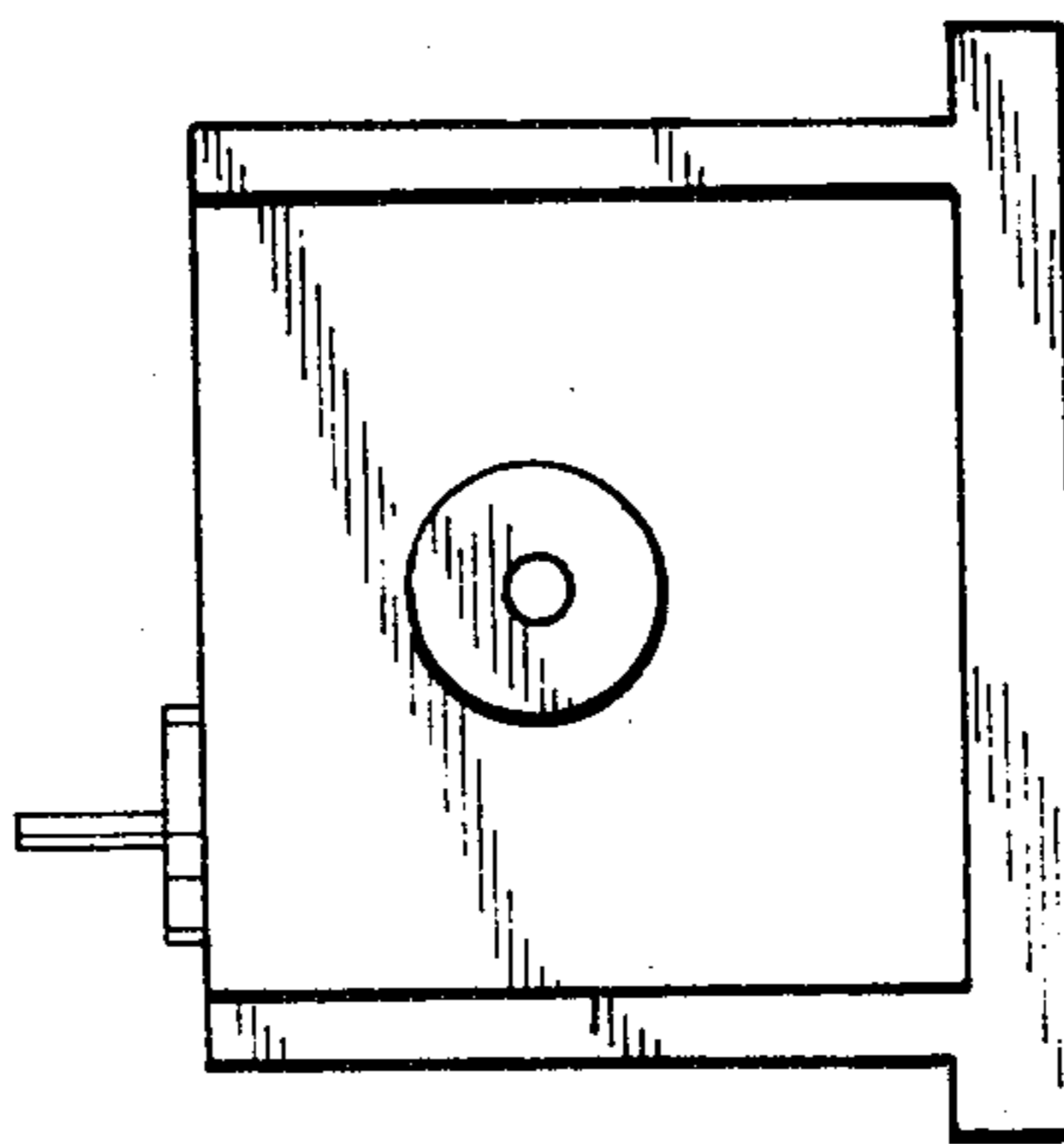


FIG. 6

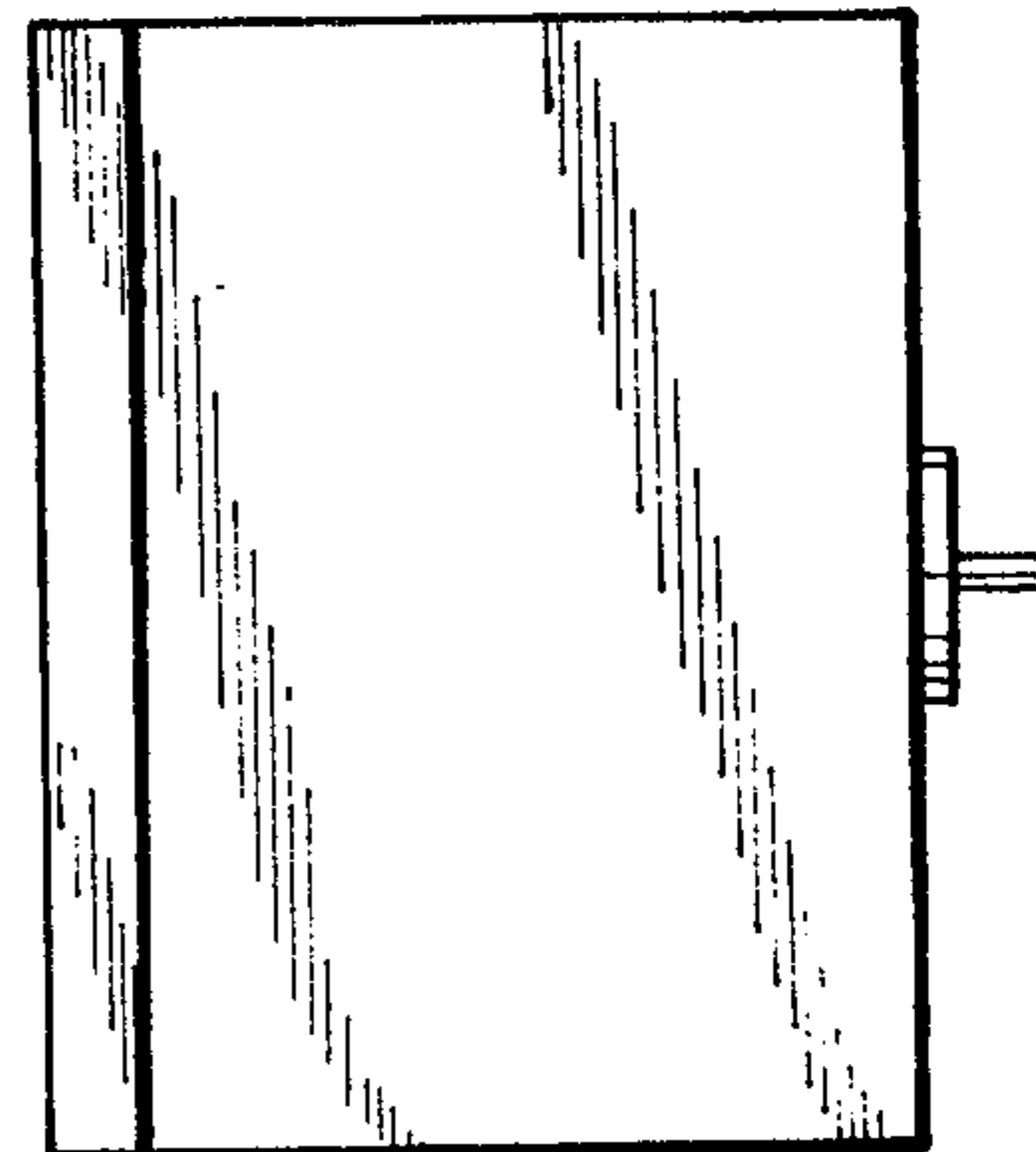


FIG. 7