

[54] STROLLER

[76] Inventor: Nancy J. Miles, 824 Ken Way, Anaheim, Calif. 92805

[\*\*] Term: 14 Years

[21] Appl. No.: 652,128

[22] Filed: Sep. 20, 1984

[52] U.S. Cl. .... D12/129

[58] Field of Search ..... D12/129, 128, 130; 280/642, 643, 644, 42, 647, 648, 649, 650; 297/458, 459, 460, DIG. 4

[56] References Cited

U.S. PATENT DOCUMENTS

D. 244,325 5/1977 Voytko ..... D6/333

FOREIGN PATENT DOCUMENTS

2260481 9/1975 France ..... 280/648

OTHER PUBLICATIONS

Columbian Rope Co. brochure, Co-ro-lite Baby Stroller (upper right).

Primary Examiner—James M. Gandy

Assistant Examiner—Kay H. Chin

Attorney, Agent, or Firm—Fulwider, Patton, Rieber, Lee & Utecht

[57] CLAIM

The ornamental design for a stroller, as shown and described.

DESCRIPTION

FIG. 1 is a perspective view of a stroller showing my new design;

FIG. 2 is a side elevation view thereof, the opposite side being a mirror image of that shown;

FIG. 3 is a front elevation view thereof;

FIG. 4 is a rear elevation view thereof;

FIG. 5 is a top plan view thereof; and

FIG. 6 is a bottom plan view thereof.

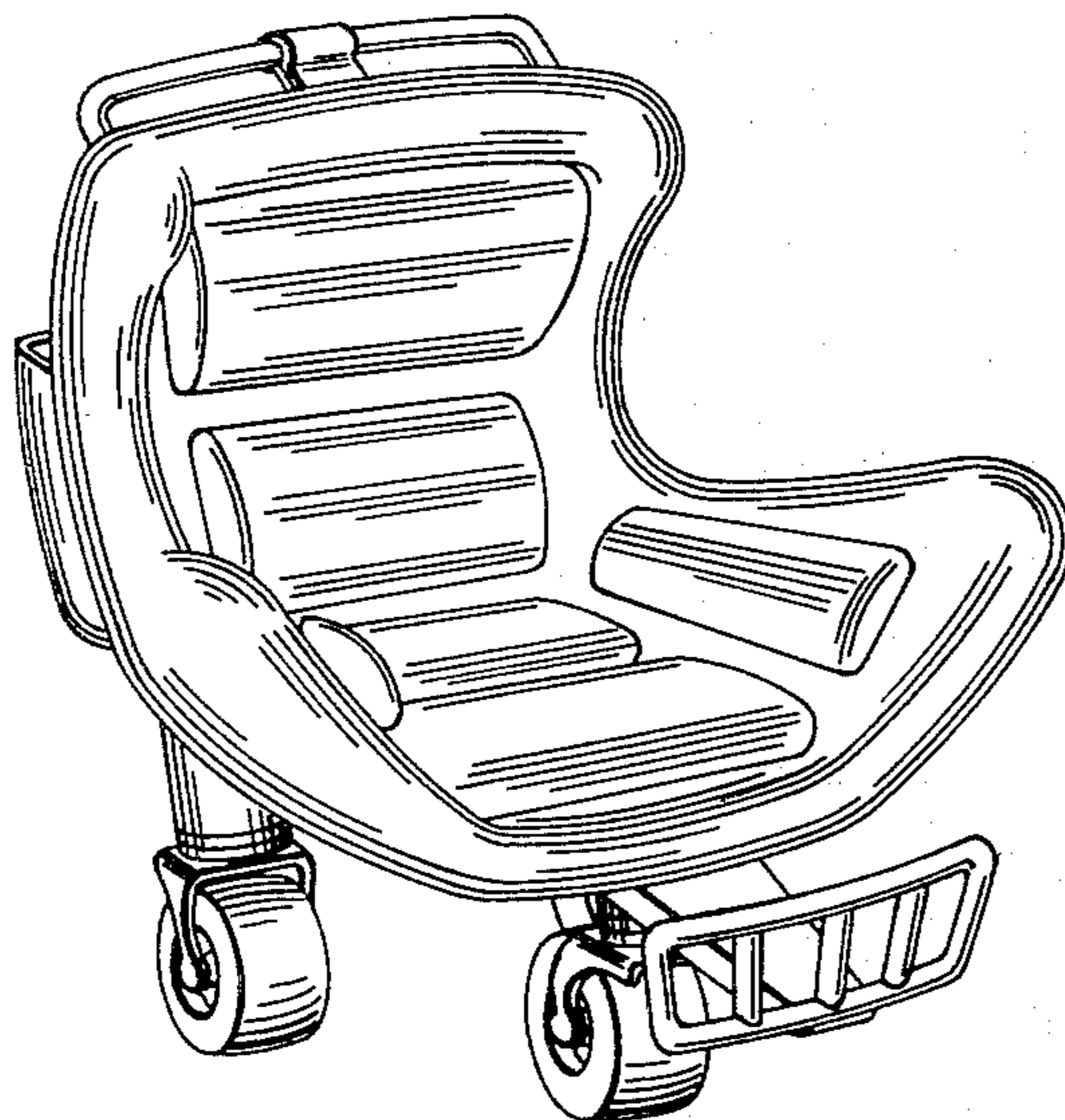


FIG. 1

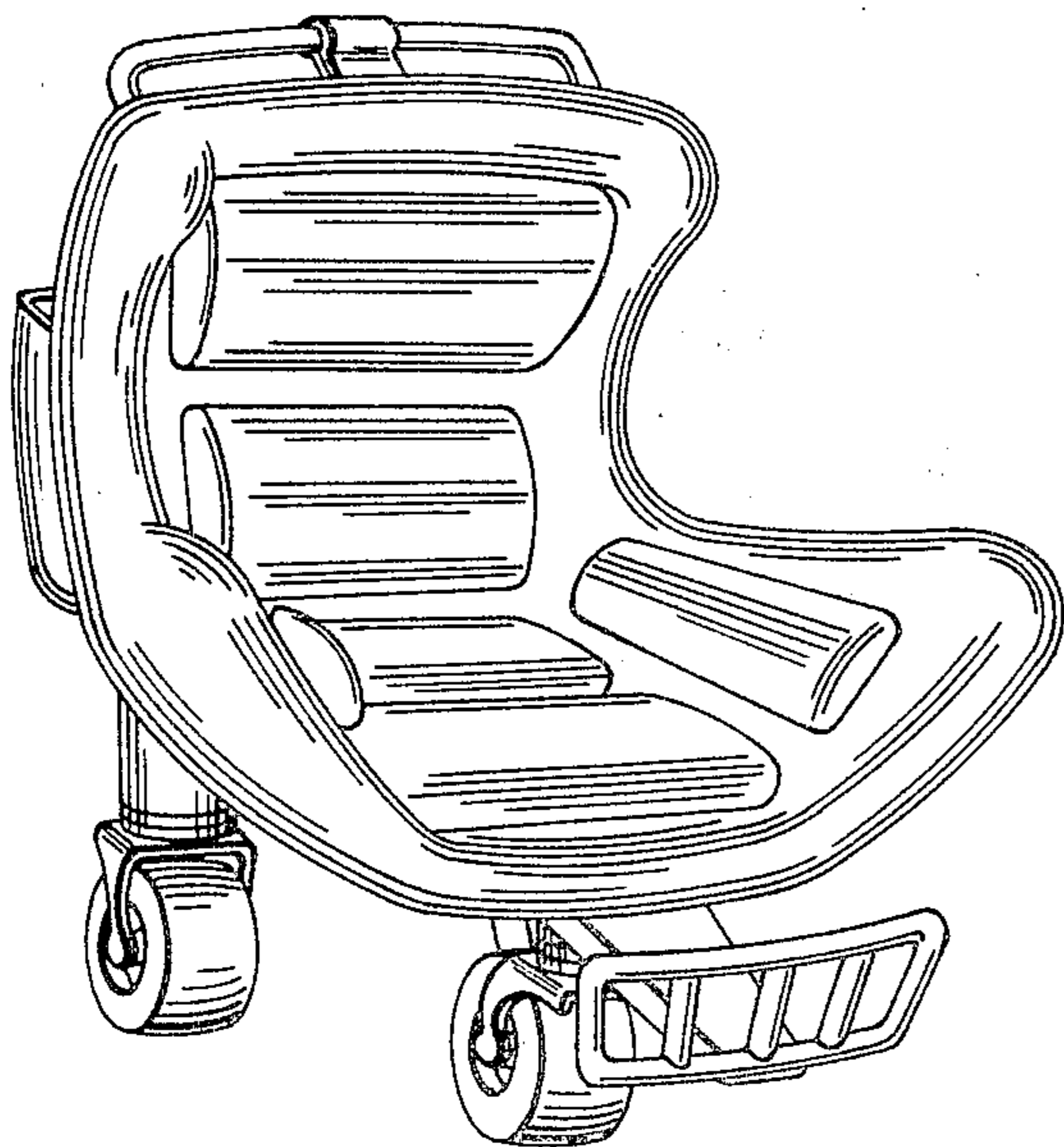


FIG. 2

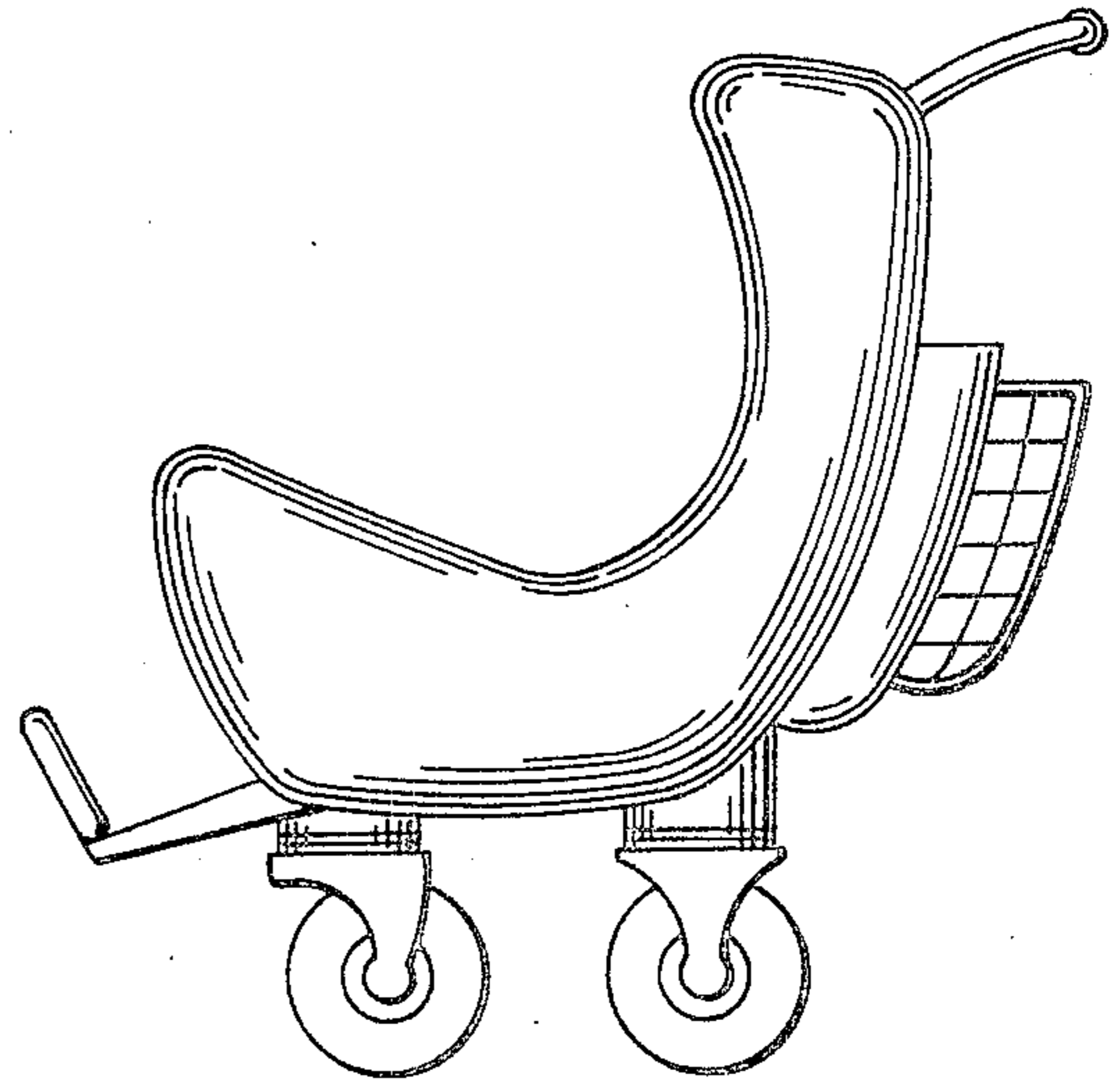


FIG. 3

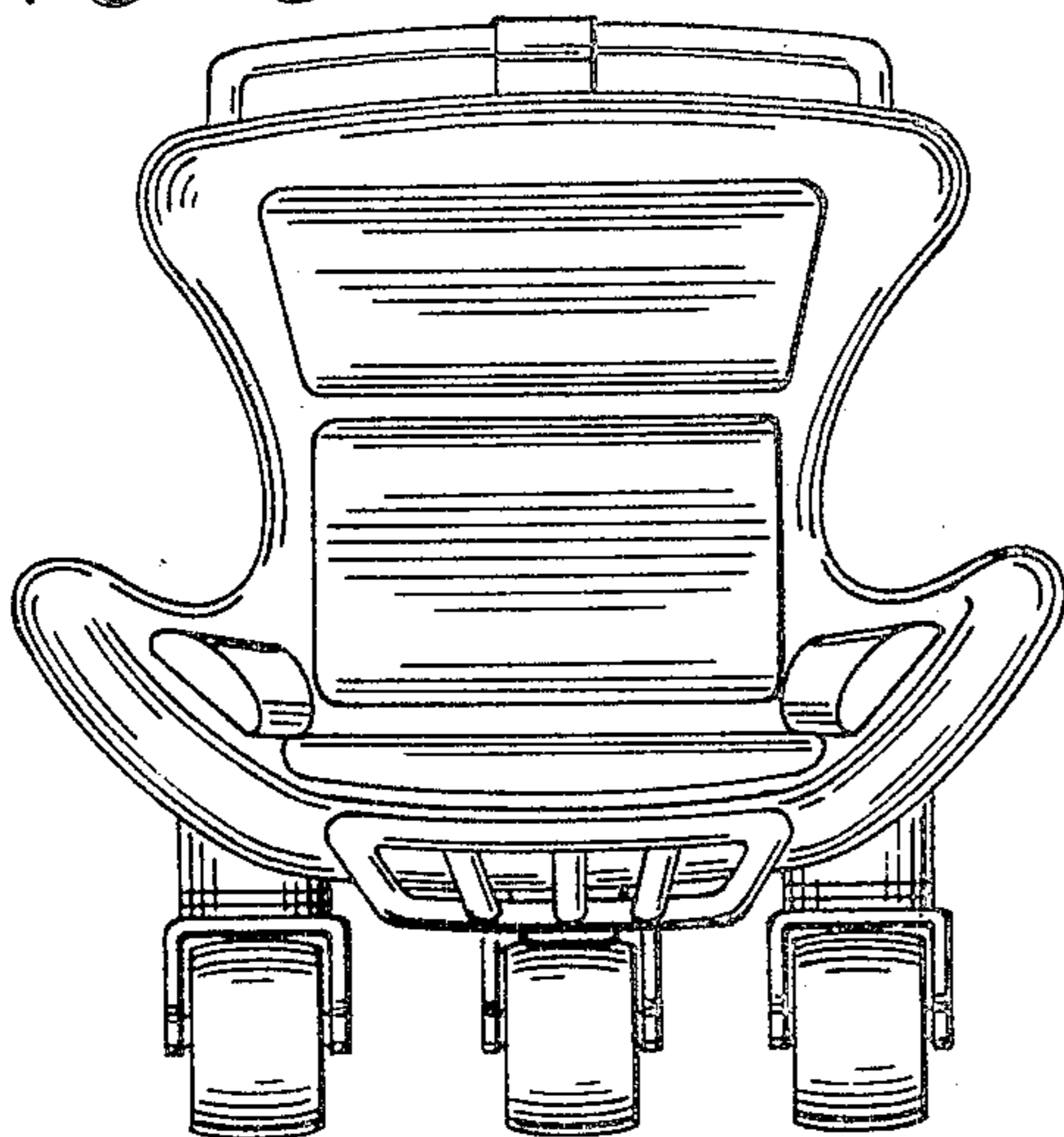


FIG. 4

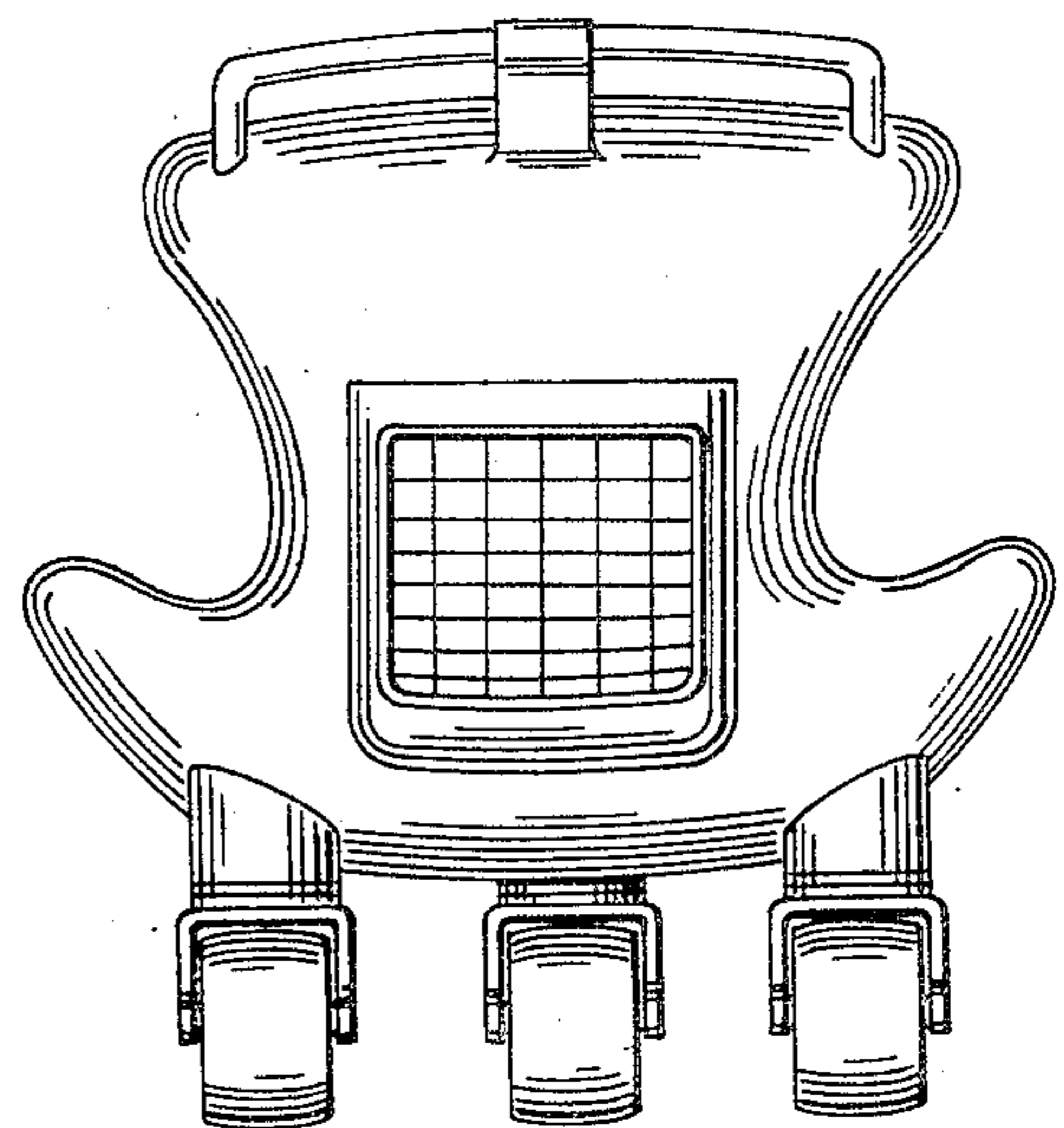


FIG. 5

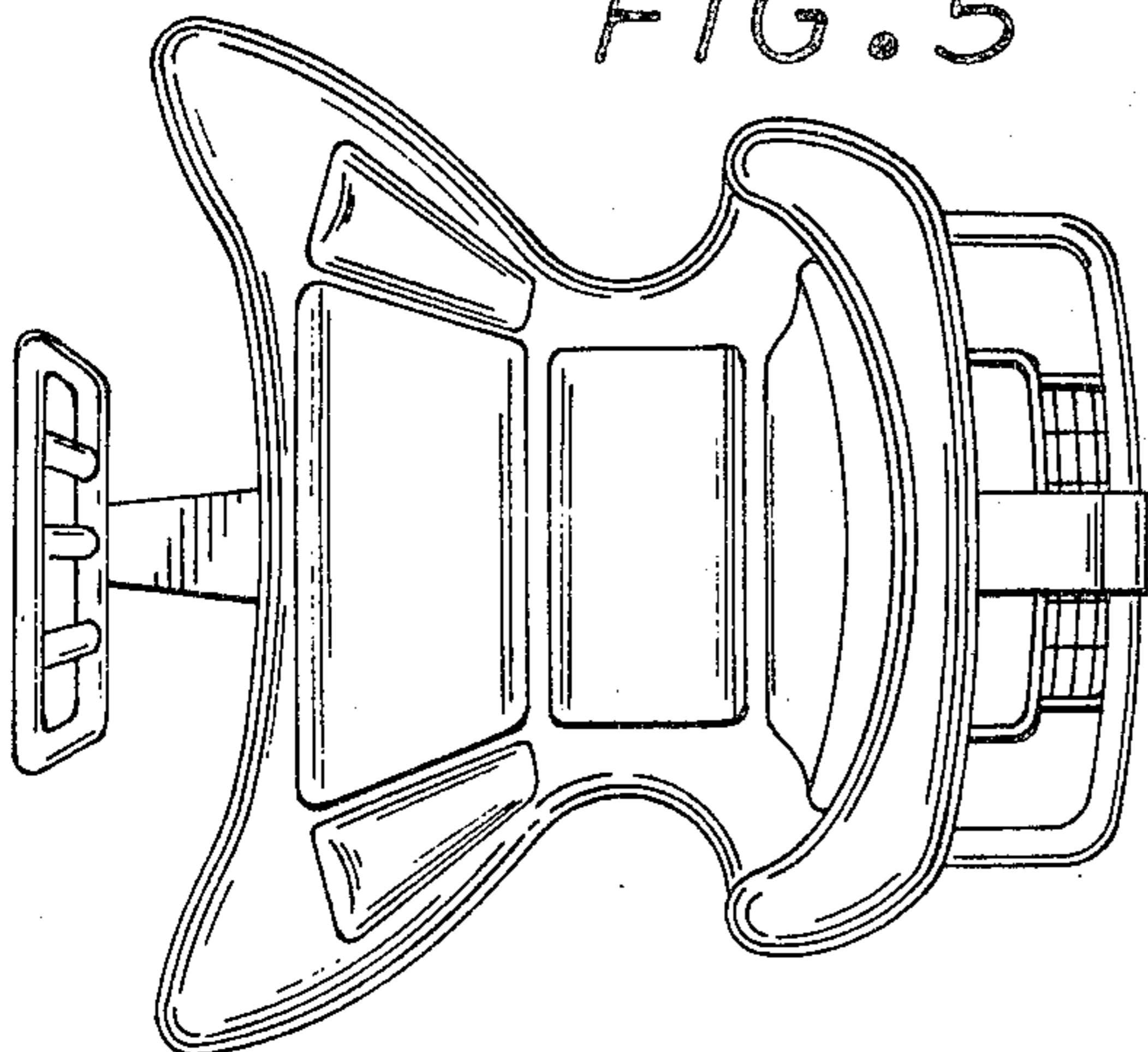


FIG. 6

