

[54] MOTOR VEHICLE BODY

[76] Inventor: Tadabumi Takasu, 3315 Laurel Canyon Blvd., Studio City, Calif. 91604

[\*\*] Term: 14 Years

[21] Appl. No.: 591,674

[22] Filed: Mar. 20, 1984

[52] U.S. Cl. .... D12/85; D12/90

[58] Field of Search ..... D12/85, 90; 296/185; 180/211, 215, 216

[56] References Cited

FOREIGN PATENT DOCUMENTS

118460 7/1983 Japan ..... 296/185

OTHER PUBLICATIONS

Austro Motor, 7/70, P300, Bond "Bug" Vehicle. Design, 7/76, P40 & 41, Vehicle for the Disabled.

Primary Examiner—James M. Gandy

Attorney, Agent, or Firm—Fulwider, Patton, Rieber, Lee & Utecht

[57] CLAIM

The ornamental design for a motor vehicle body, as shown and described.

DESCRIPTION

FIG. 1 is a perspective view of a motor vehicle body embodying my new design and showing the front and right sides thereof;

FIG. 2 is a perspective view showing the rear and left sides thereof;

FIG. 3 is a front elevation view thereof;

FIG. 4 is a left side elevation view thereof, the right side being a mirror image of the left side as shown;

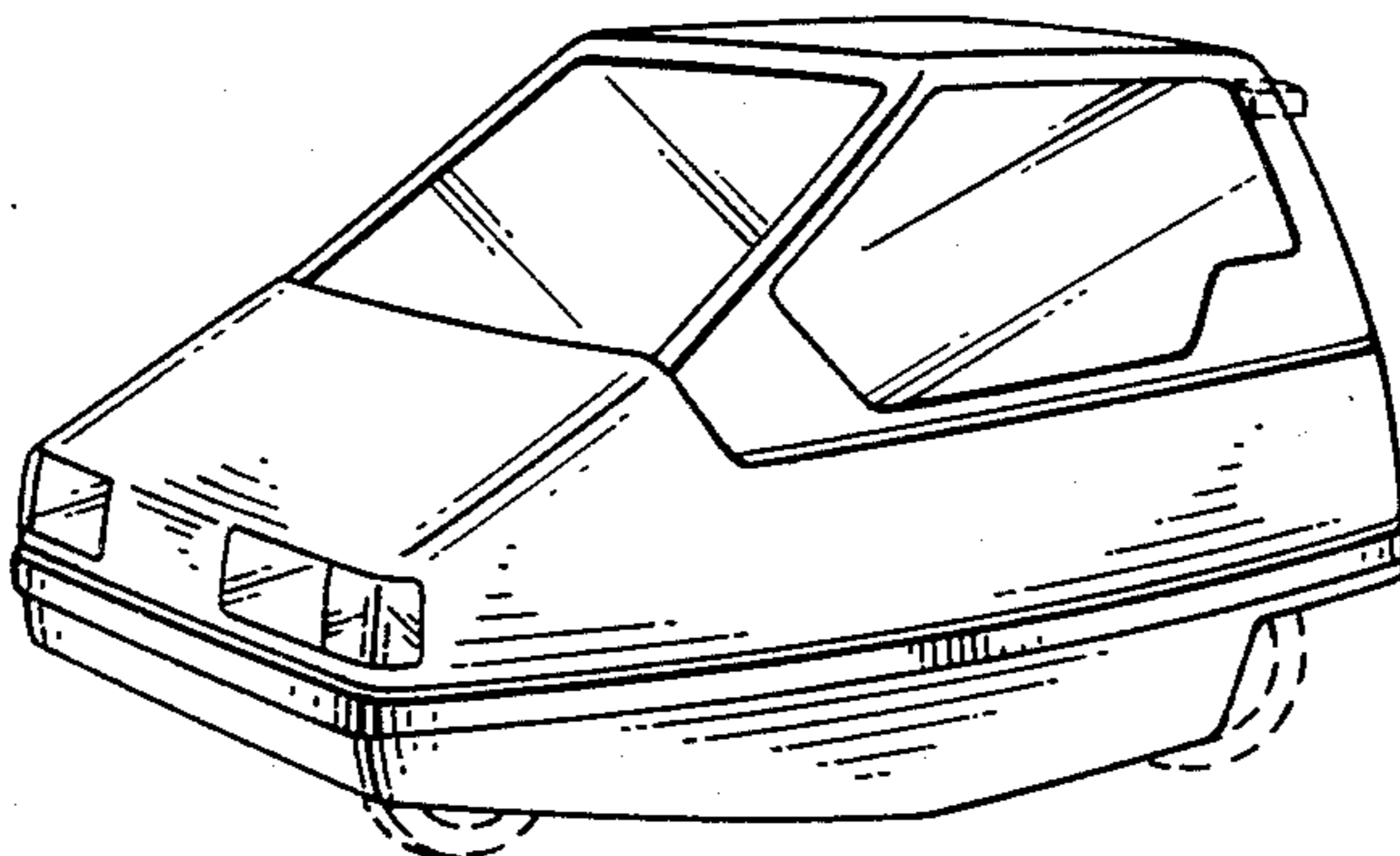
FIG. 5 is a rear elevation view thereof;

FIG. 6 is a top plan view thereof;

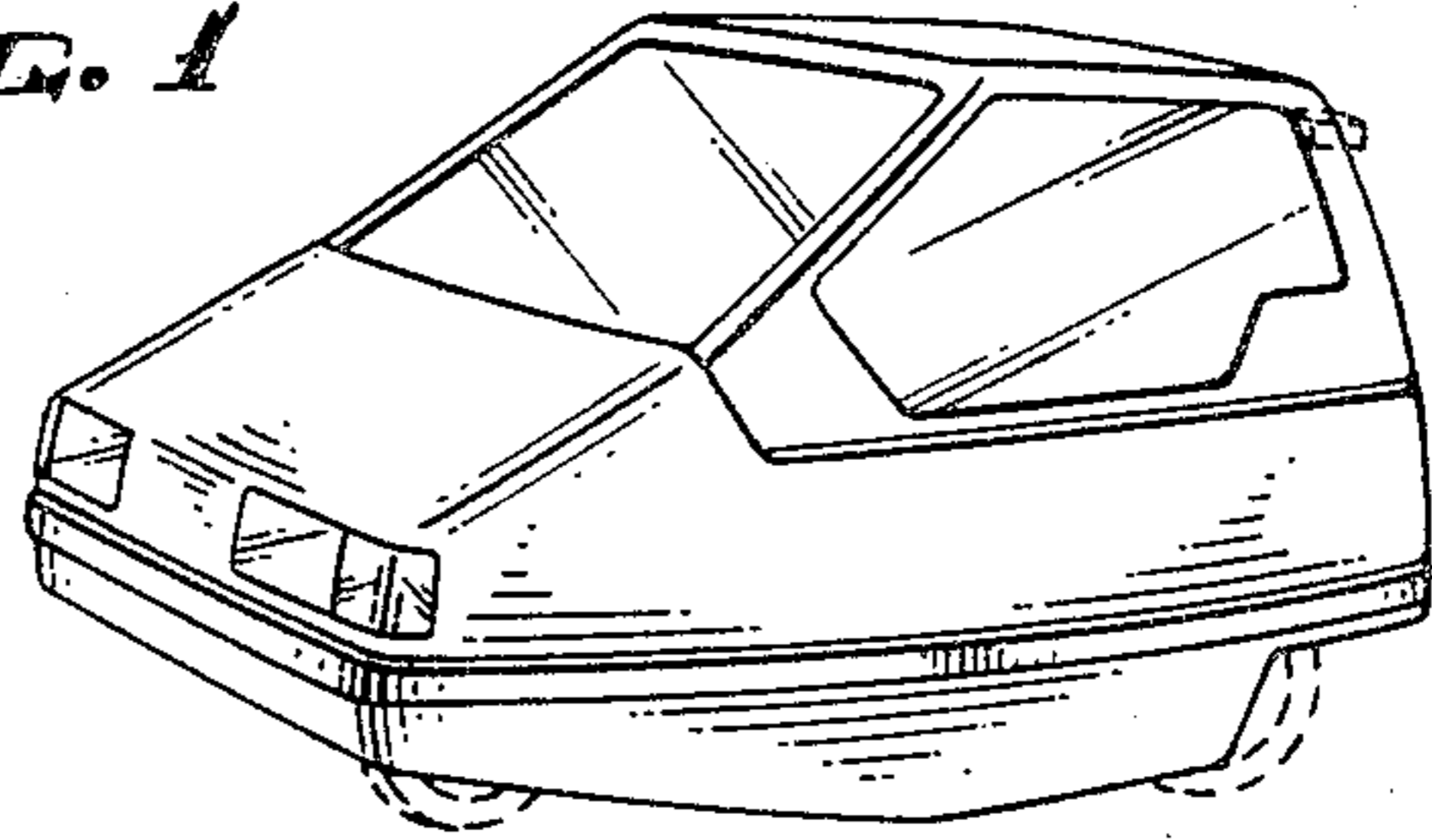
FIG. 7 is a bottom plan view thereof; and

FIG. 8 is a perspective view of the front and right side of a motor vehicle body showing a second embodiment of my new design, it being understood that the left side is a mirror image of the right side shown and the rear is the same as that of the first embodiment shown in FIG. 5.

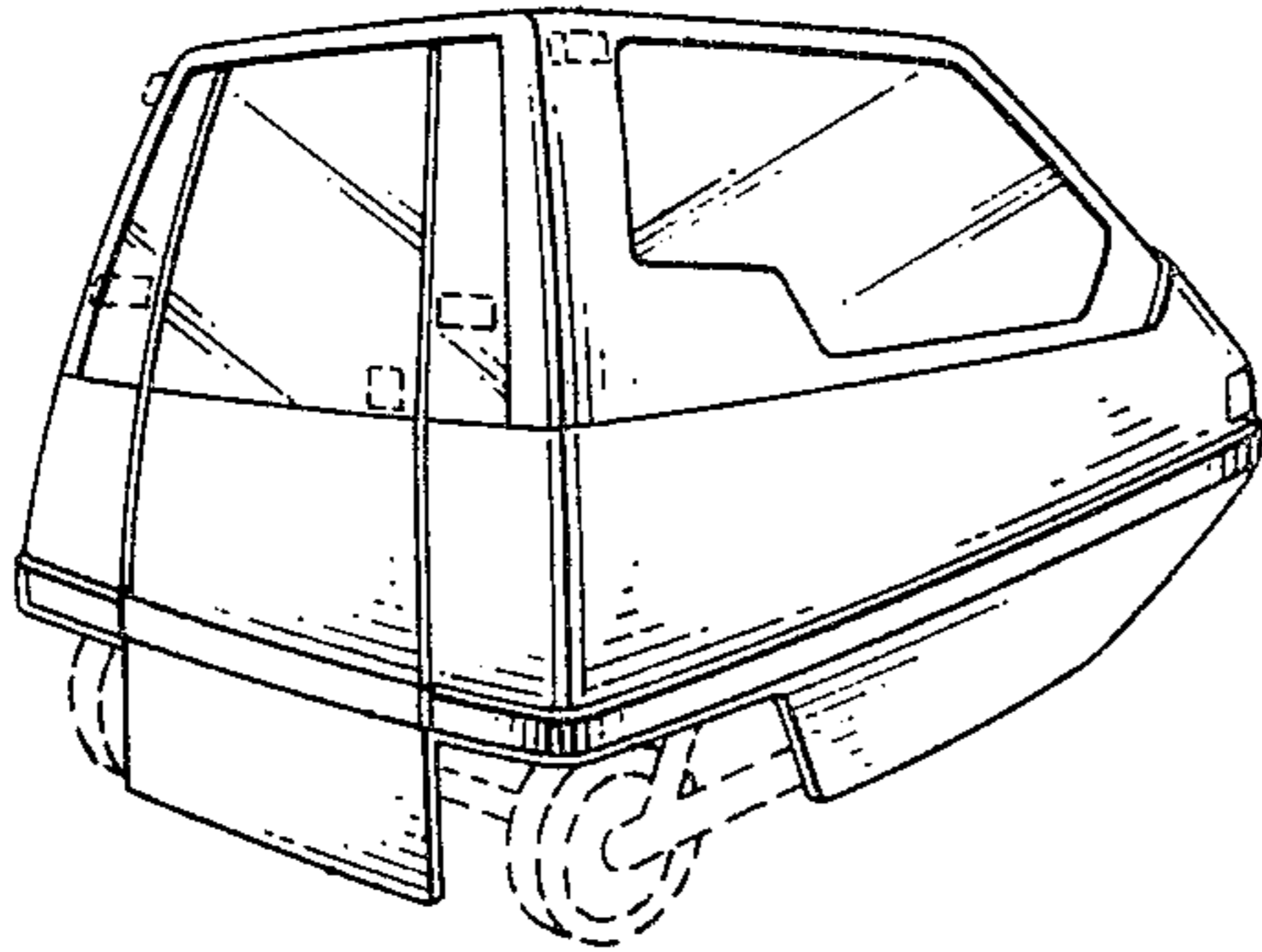
The broken lines in the drawing are for illustrative purposes only and form no part of the claimed design.



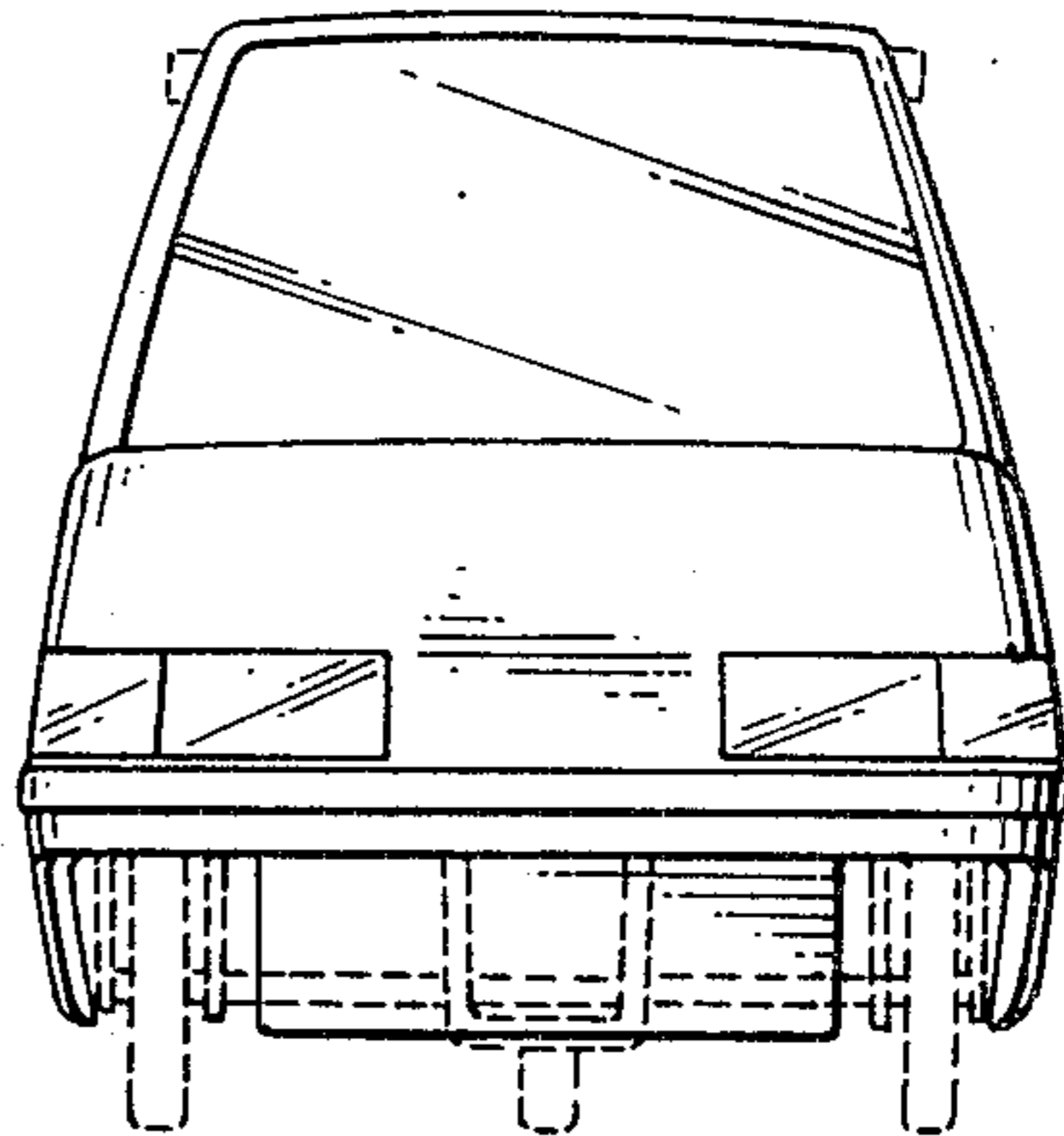
*FIG. 1*



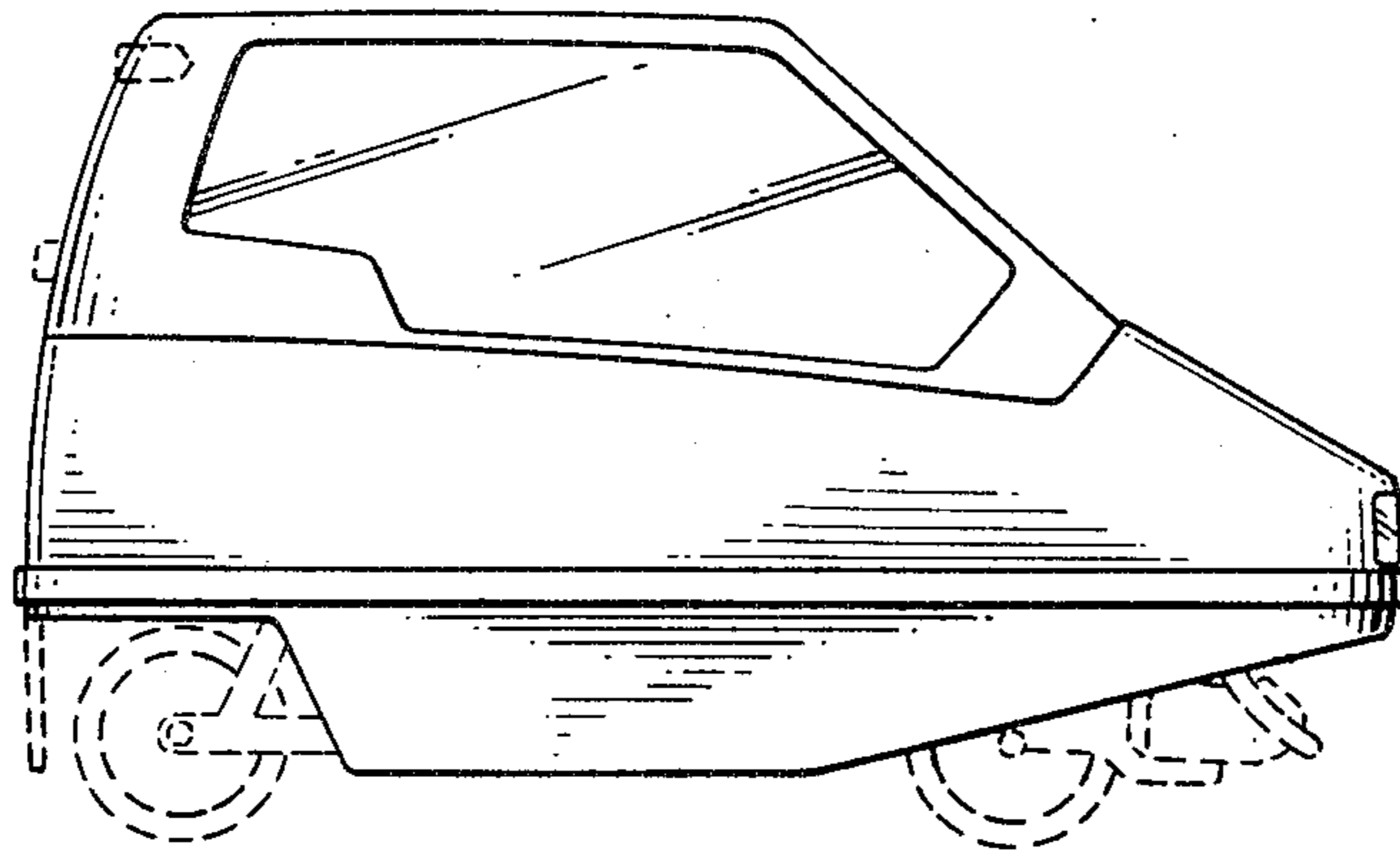
*FIG. 2*



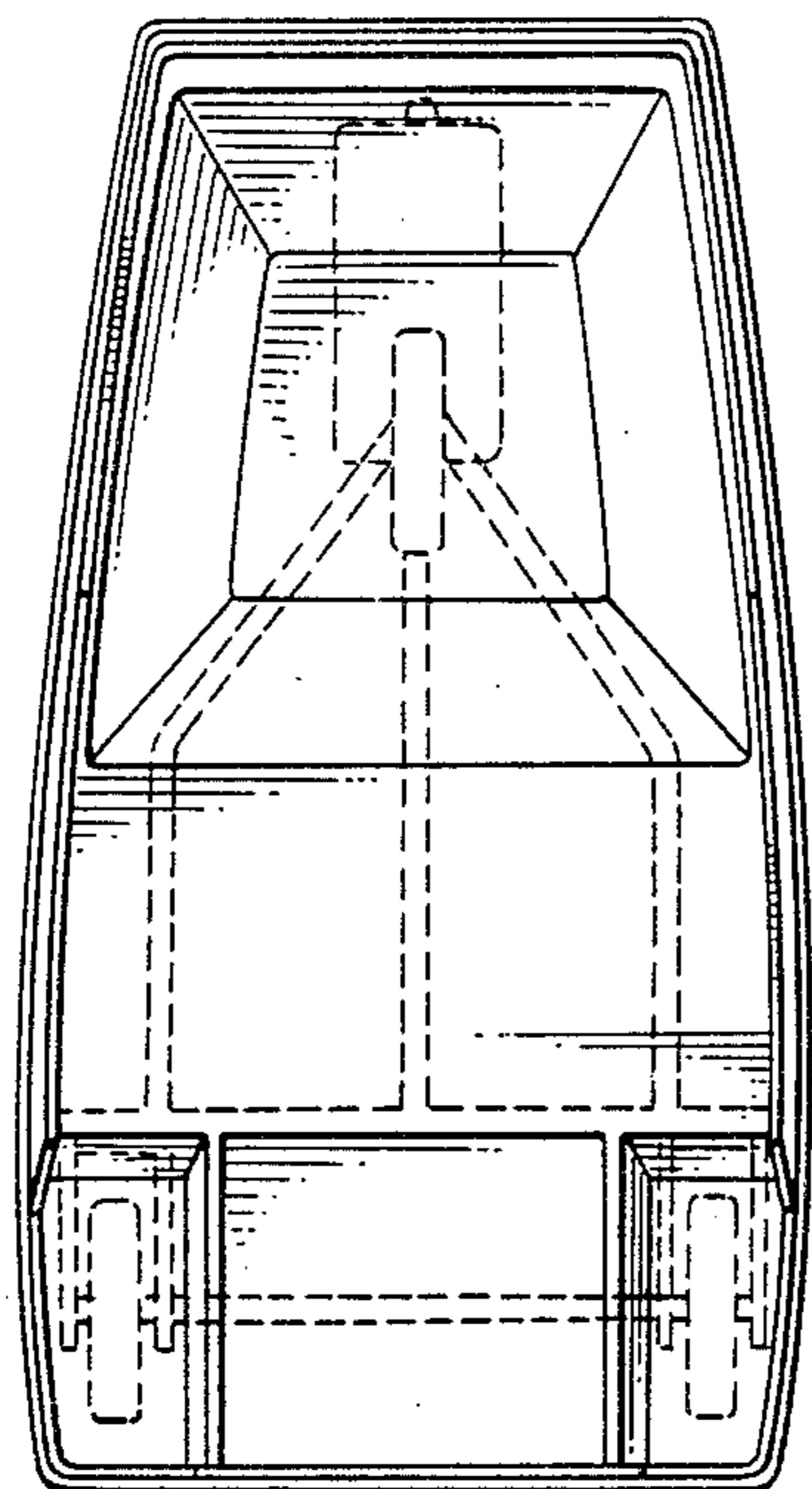
*FIG. 3*



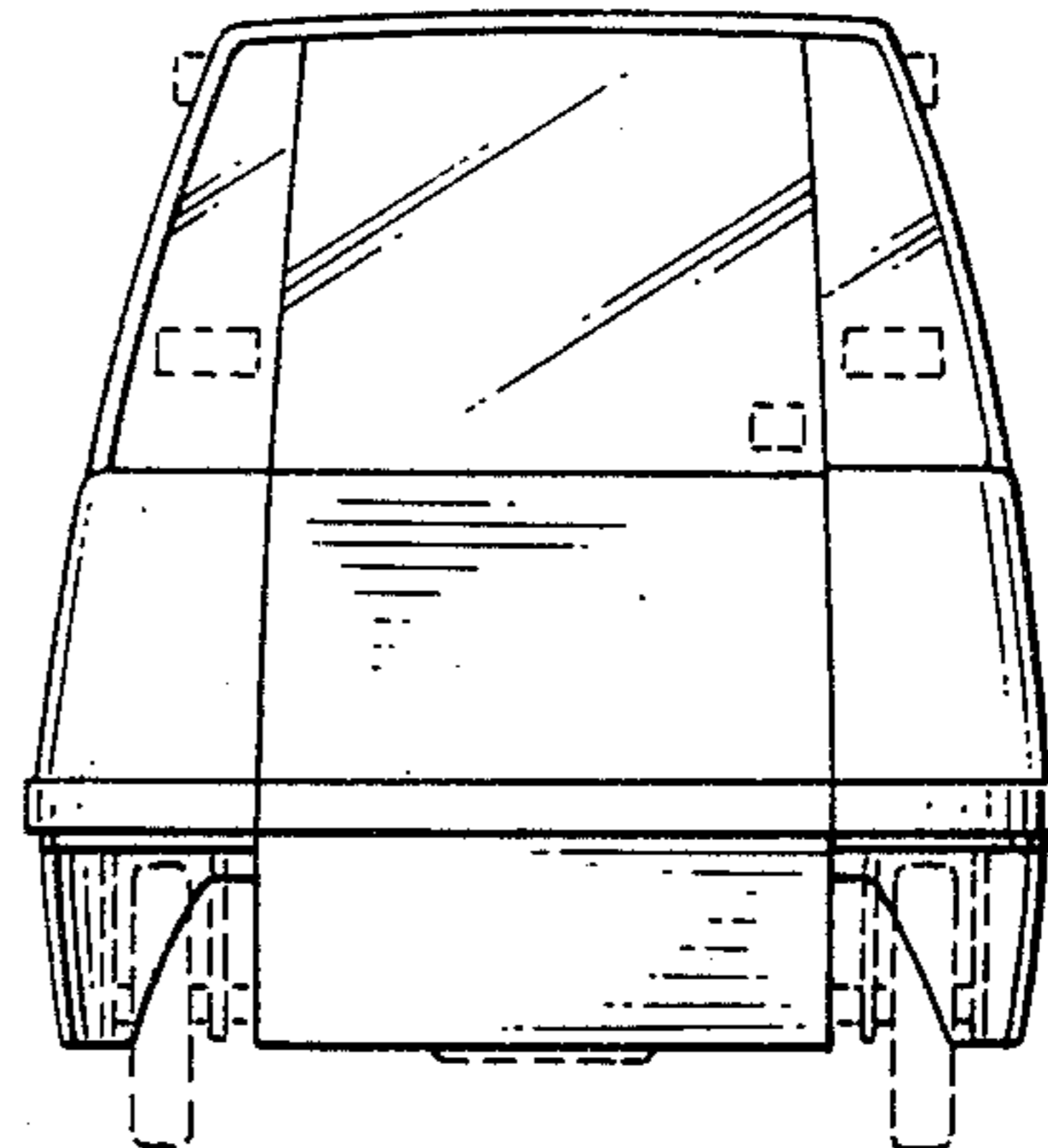
*FIG. 4*



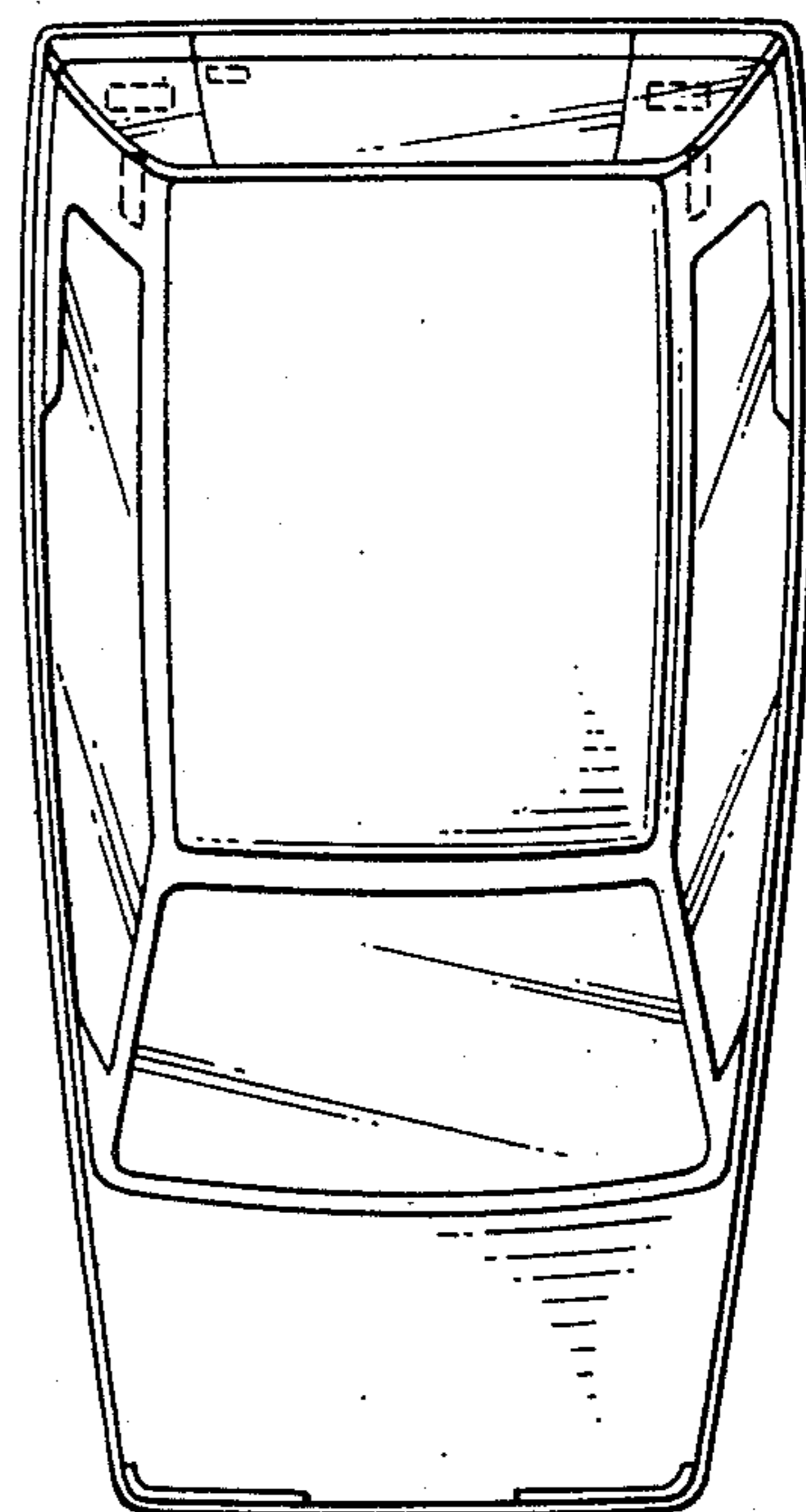
*Fig. 7*



*Fig. 5*



*Fig. 6*



*Fig. 8*

