

[54] **CASE FOR A WRISTWATCH**

[75] **Inventor: John T. Houlihan, Watertown, Conn.**

[73] **Assignee: Timex Corporation, Waterbury, Conn.**

[**] **Term: 14 Years**

[21] **Appl. No.: 637,363**

[22] **Filed: Aug. 3, 1984**

[52] **U.S. Cl. D10/30; D10/38**

[58] **Field of Search D10/30-39,
D10/122-126; 368/82-84, 239-242, 276-277,
285, 281-282**

[56] **References Cited**

U.S. PATENT DOCUMENTS

D. 255,333 6/1980 Sulek D10/38

OTHER PUBLICATIONS

Swiss Watch & Jewelry Journal-2/80-p. 254-Watches at left.

European Jeweler-7/83-p. 59-Watches at top left and at bottom.

Swiss Watch & Jewelry Journal-2/82, p. 229-Watch at left.

Jeweler's-Circular-Keystone-9/84-p. 90-Watch at center.

Primary Examiner-Nelson C. Holtje

Attorney, Agent, or Firm-William C. Crutcher

[57] **CLAIM**

The ornamental design for a case for a wristwatch, as shown and described.

DESCRIPTION

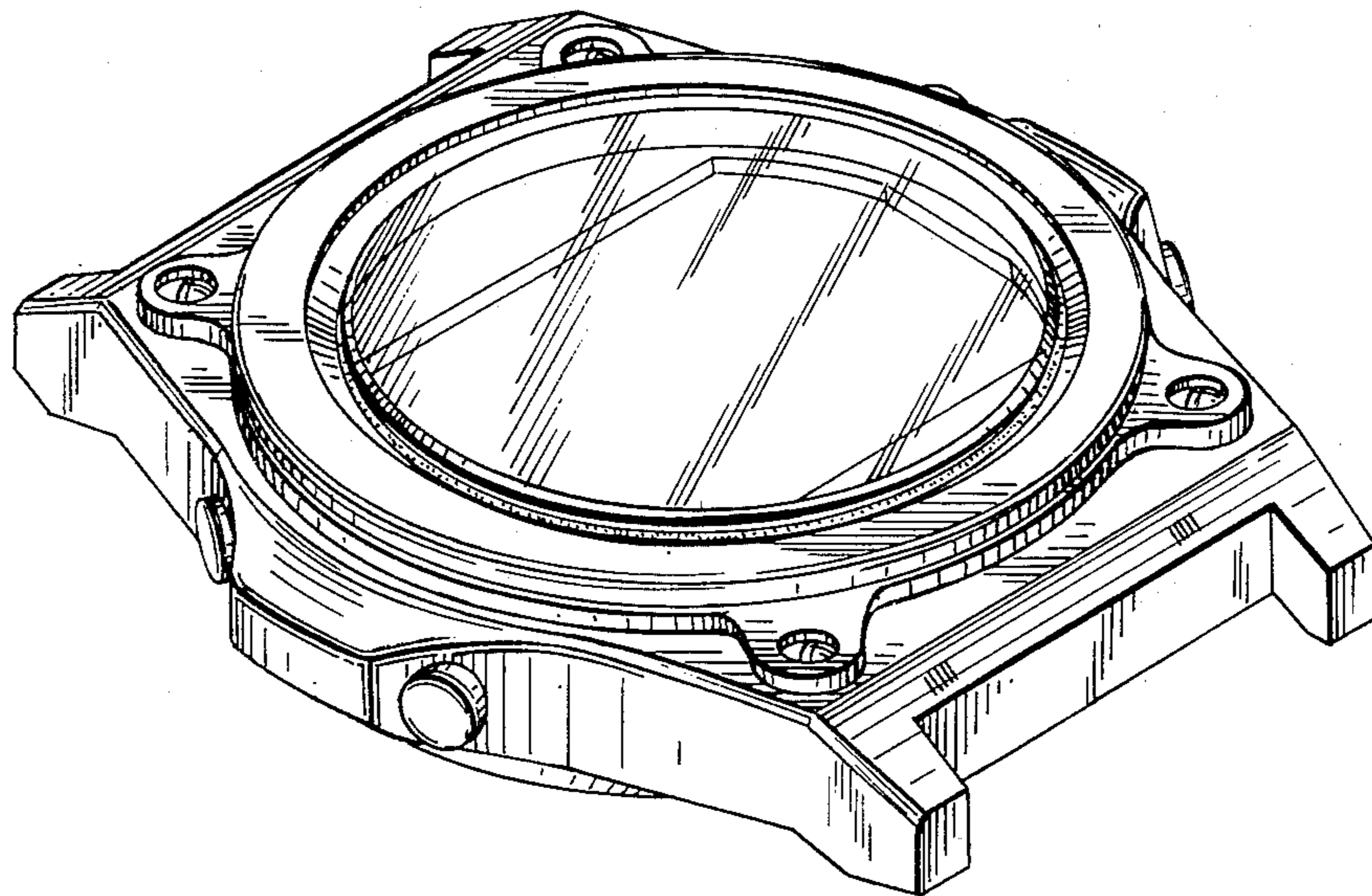
FIG. 1 is a left-front perspective view of a case for a wristwatch showing my new design;

FIG. 2 is a top plan view thereof;

FIG. 3 is a front elevational view thereof, the rear being a mirror image thereto;

FIG. 4 is a right side elevational view thereof;

FIG. 5 is a bottom plan view thereof.



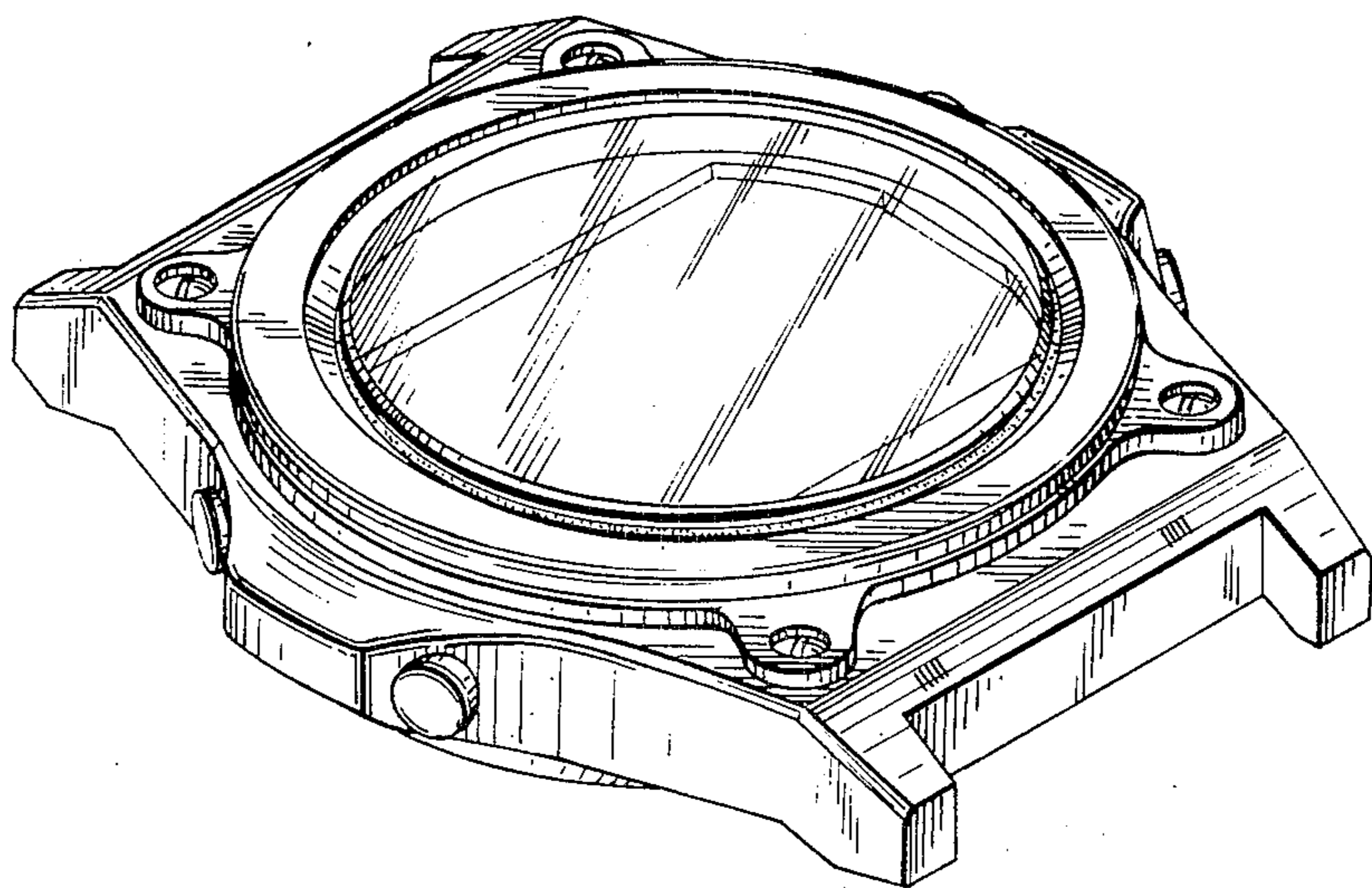


FIG. 1

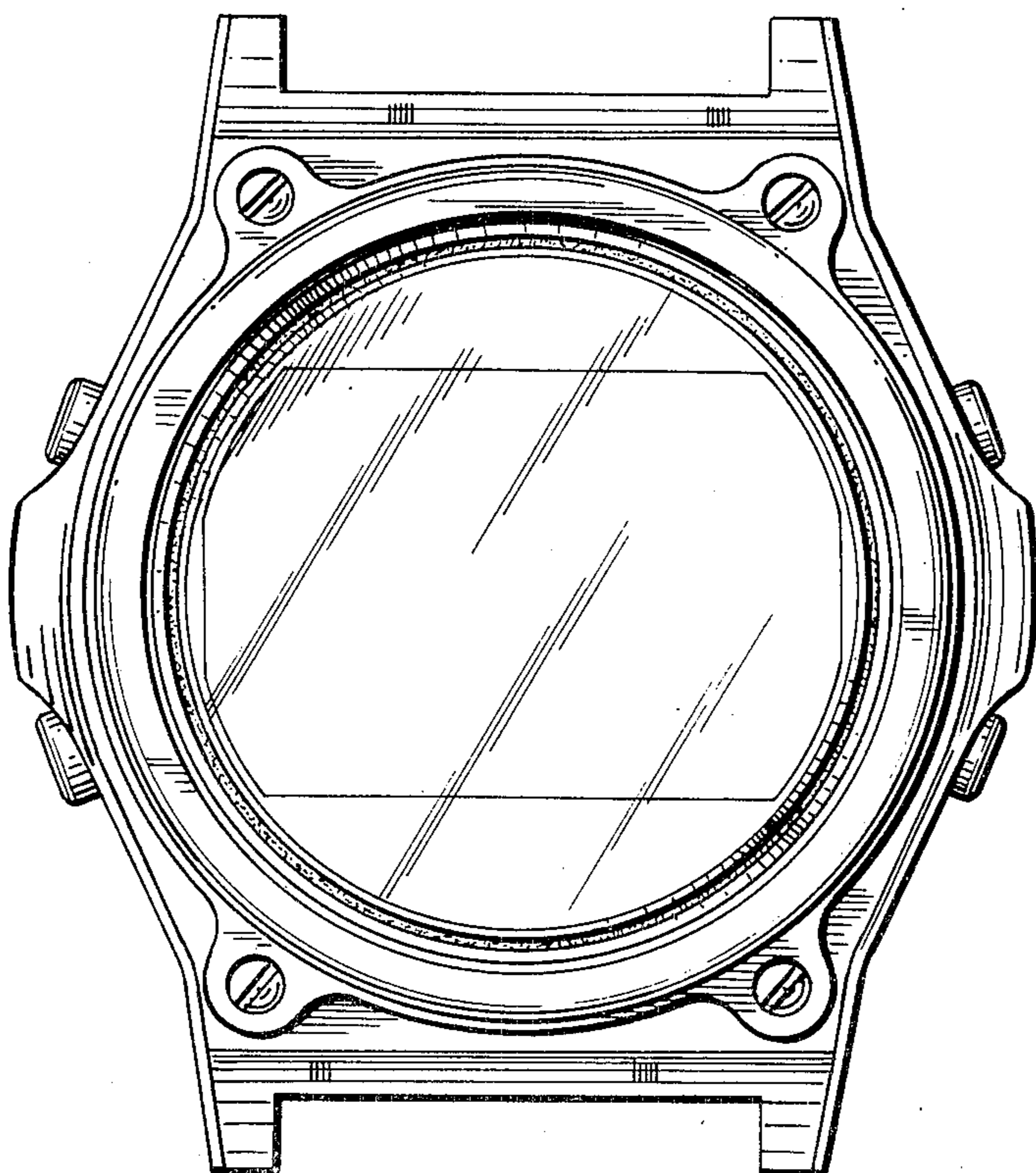


FIG. 2

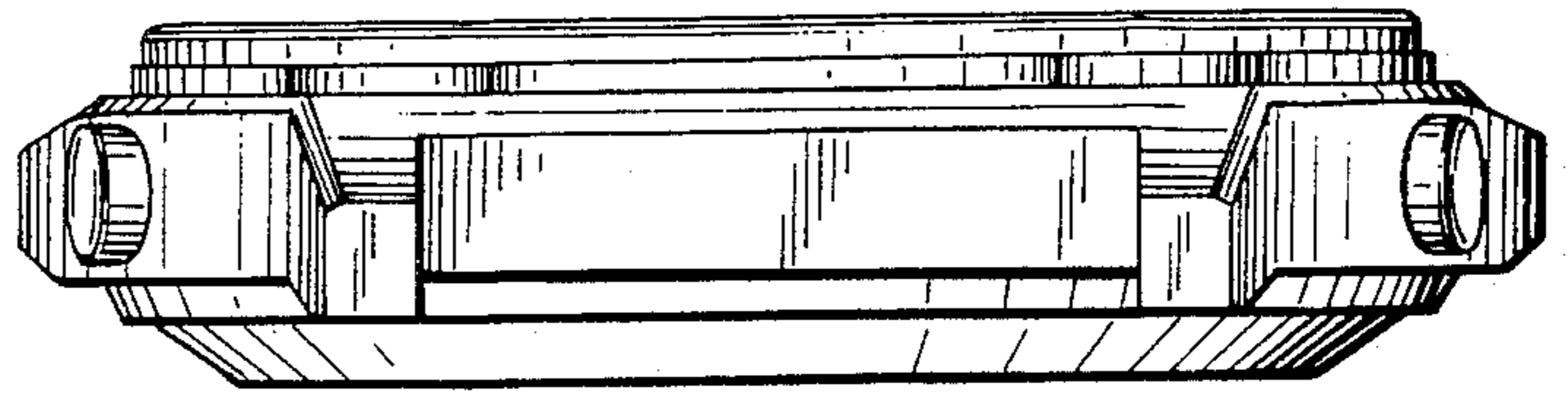


FIG. 3

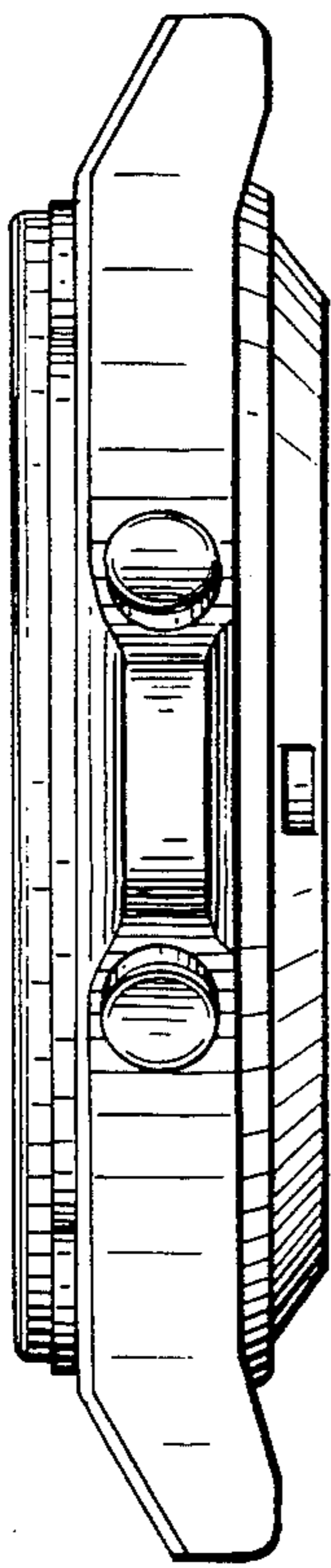


FIG. 4

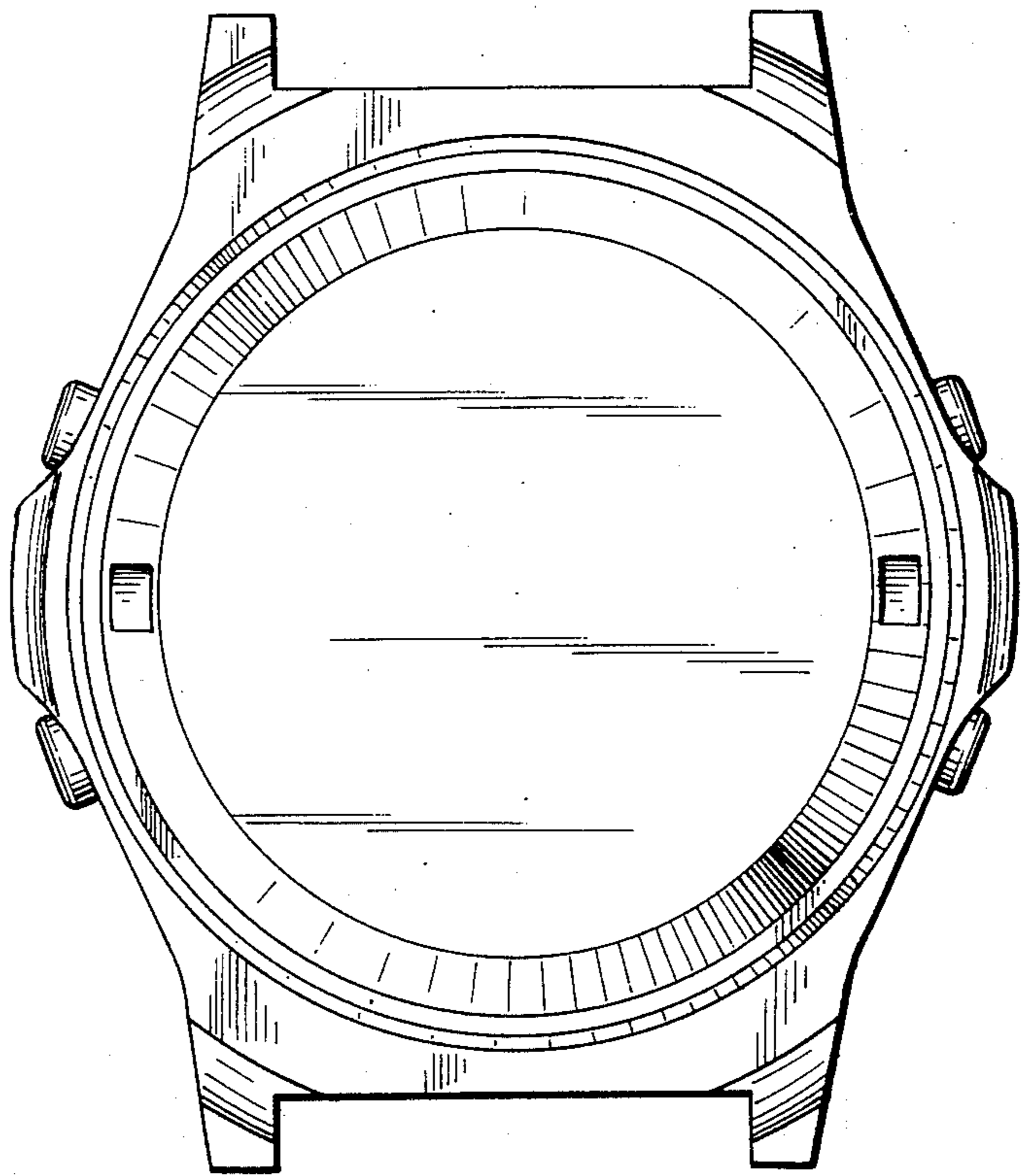


FIG. 5