

[54] CONTAINER WITH A HINGED LID

[75] Inventor: John D. Mallon, Tiburon, Calif.

[73] Assignee: All State Fasteners Co., Ltd., Inc., San Francisco, Calif.

[**] Term: 14 Years

[21] Appl. No.: 644,430

[22] Filed: Aug. 27, 1984

[52] U.S. Cl. D9/415; D9/423

[58] Field of Search D9/341, 345, 415, 423, D9/420; 206/461, 463, 470; 229/44 R, 44 CB, 6 R; 220/1 R, 334, 337

[56] References Cited

U.S. PATENT DOCUMENTS

- D. 206,771 1/1967 Valiulis D9/415
- D. 232,918 9/1974 Kaplan D9/415

D. 241,721 10/1976 Hourahine D9/415 X

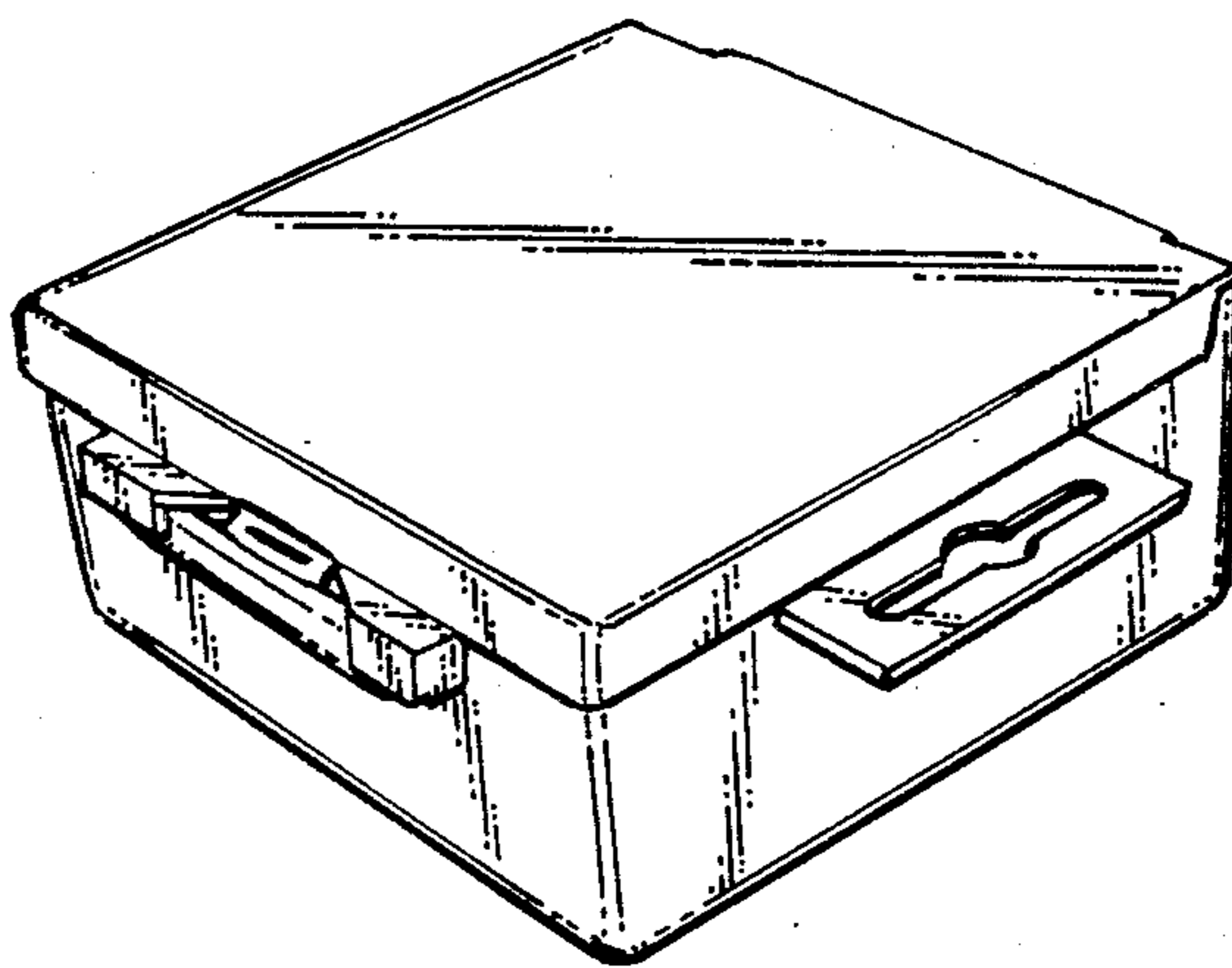
Primary Examiner—Robert C. Spangler
Attorney, Agent, or Firm—Townsend and Townsend

[57] CLAIM

The ornamental design for a container with a hinged lid, as shown and described.

DESCRIPTION

FIG. 1 is a perspective view of a container with a hinged lid, showing my new design;
 FIG. 2 is a top plan view;
 FIG. 3 is a front elevational view;
 FIG. 4 is a right elevational view;
 FIG. 5 is a left elevational view;
 FIG. 6 is a rear elevational view;
 FIG. 7 is a bottom plan view; and
 FIG. 8 is a perspective view of the container with the attached hinged lid partially opened.



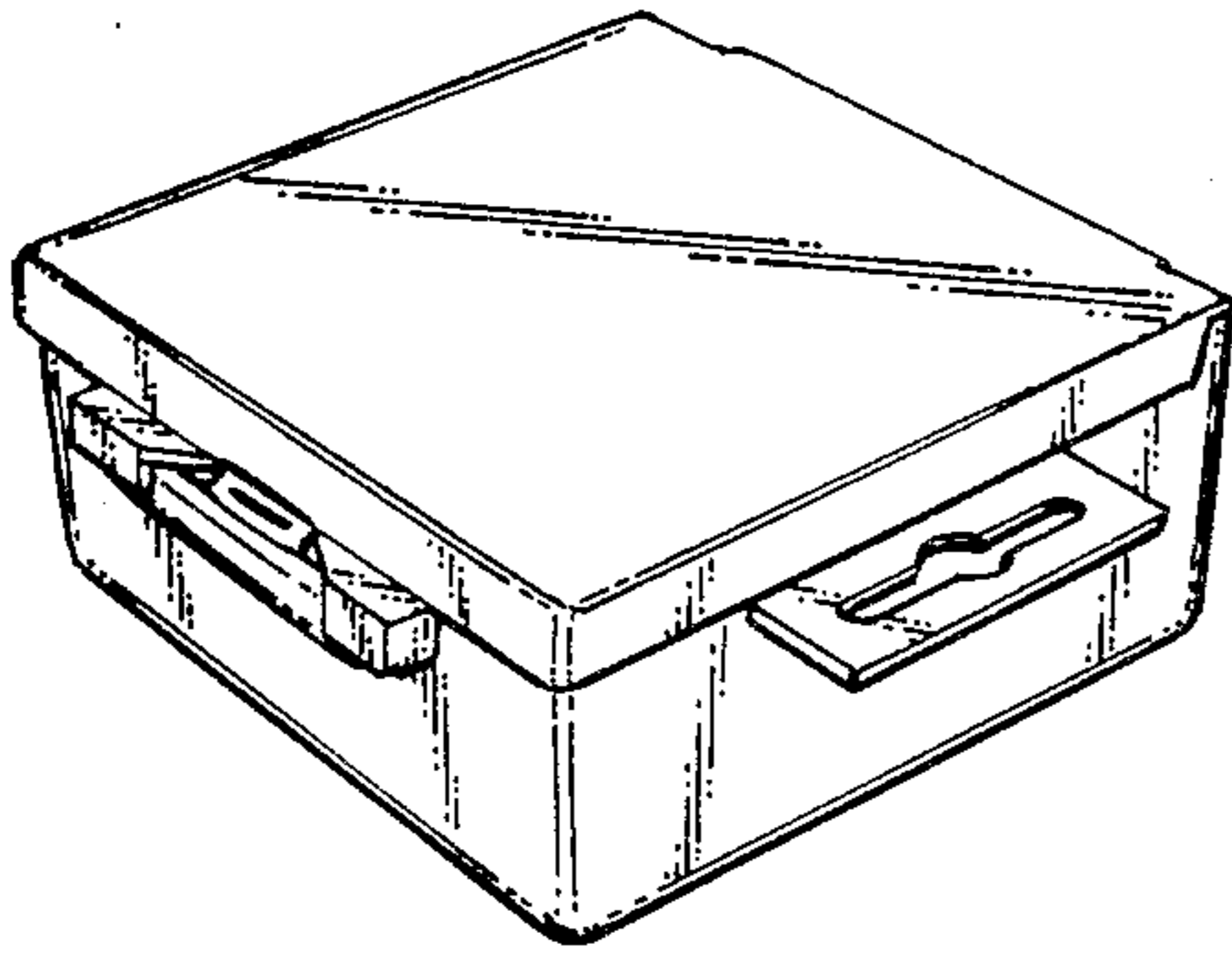


FIG. 1.

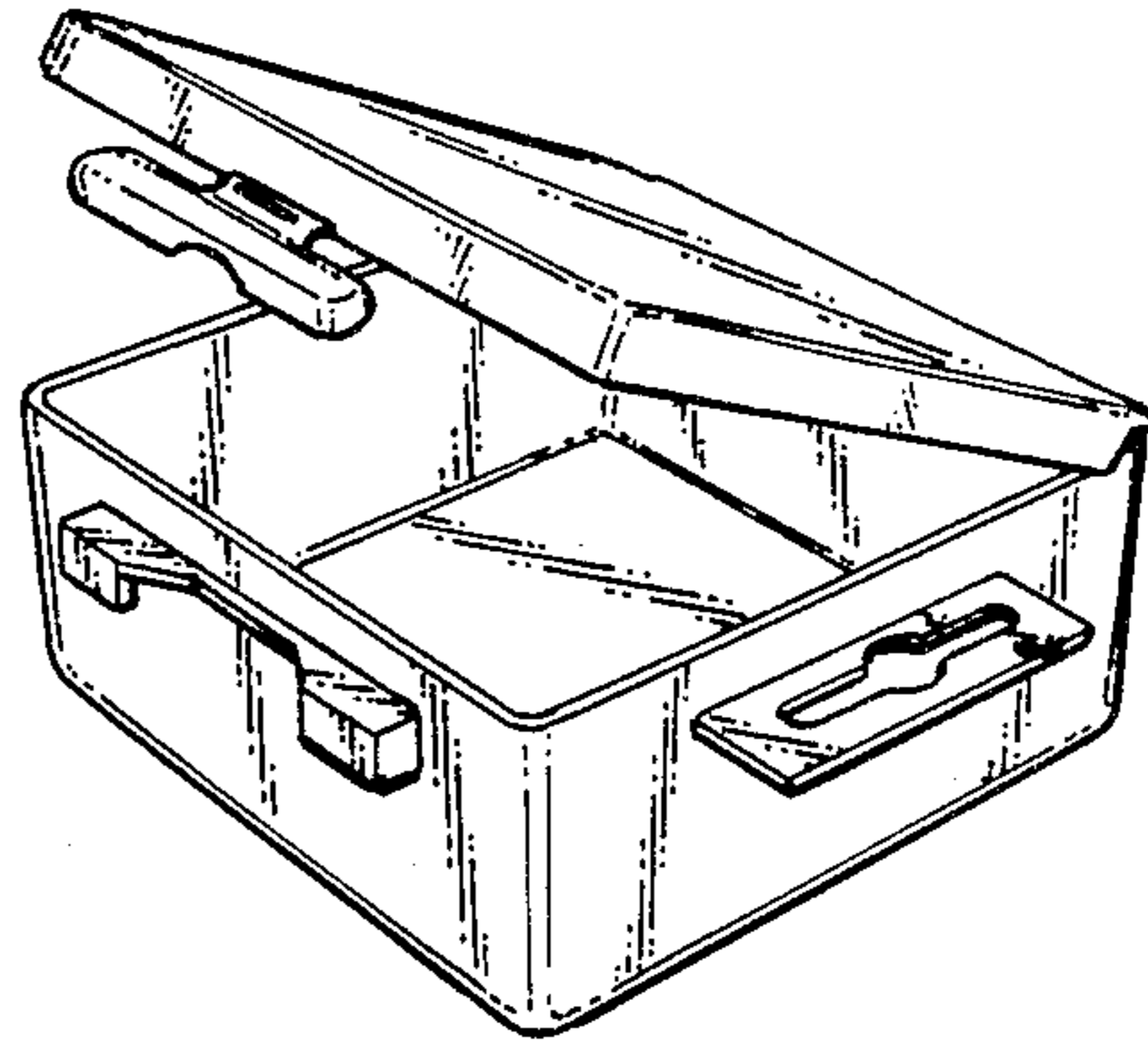


FIG. 8.

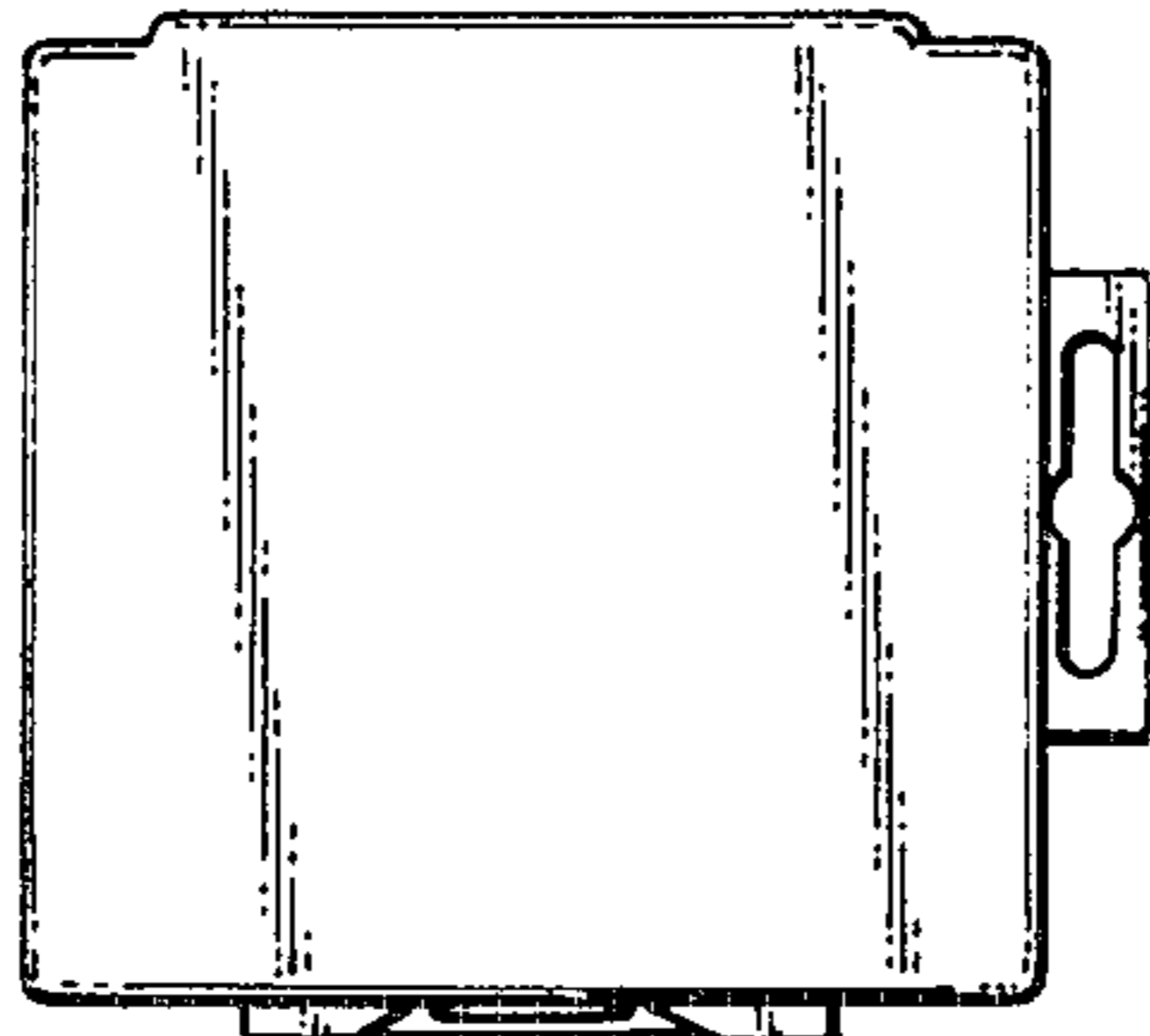


FIG. 2.

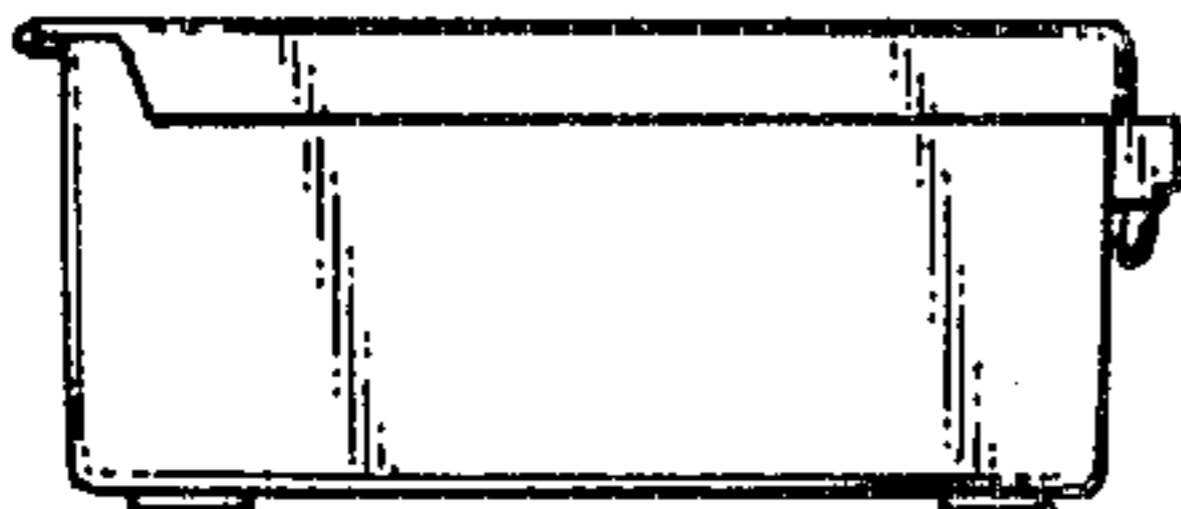


FIG. 5.

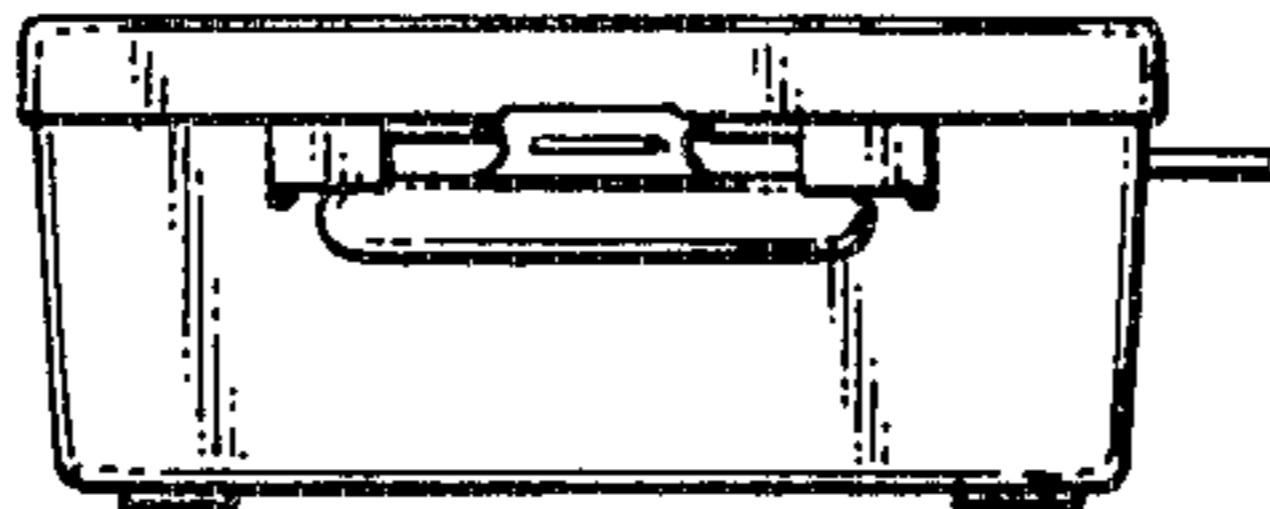


FIG. 3.

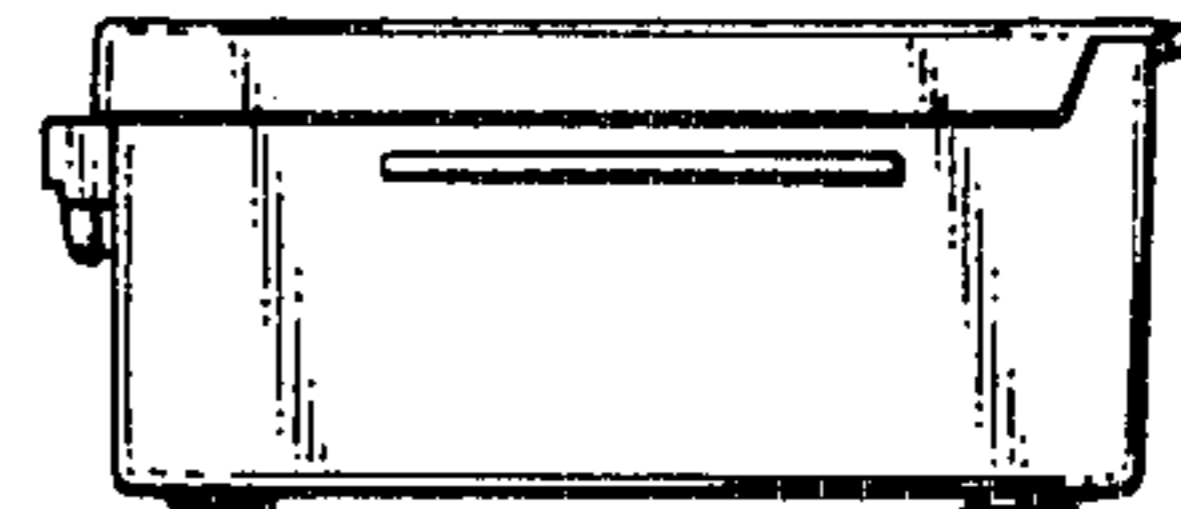


FIG. 4.

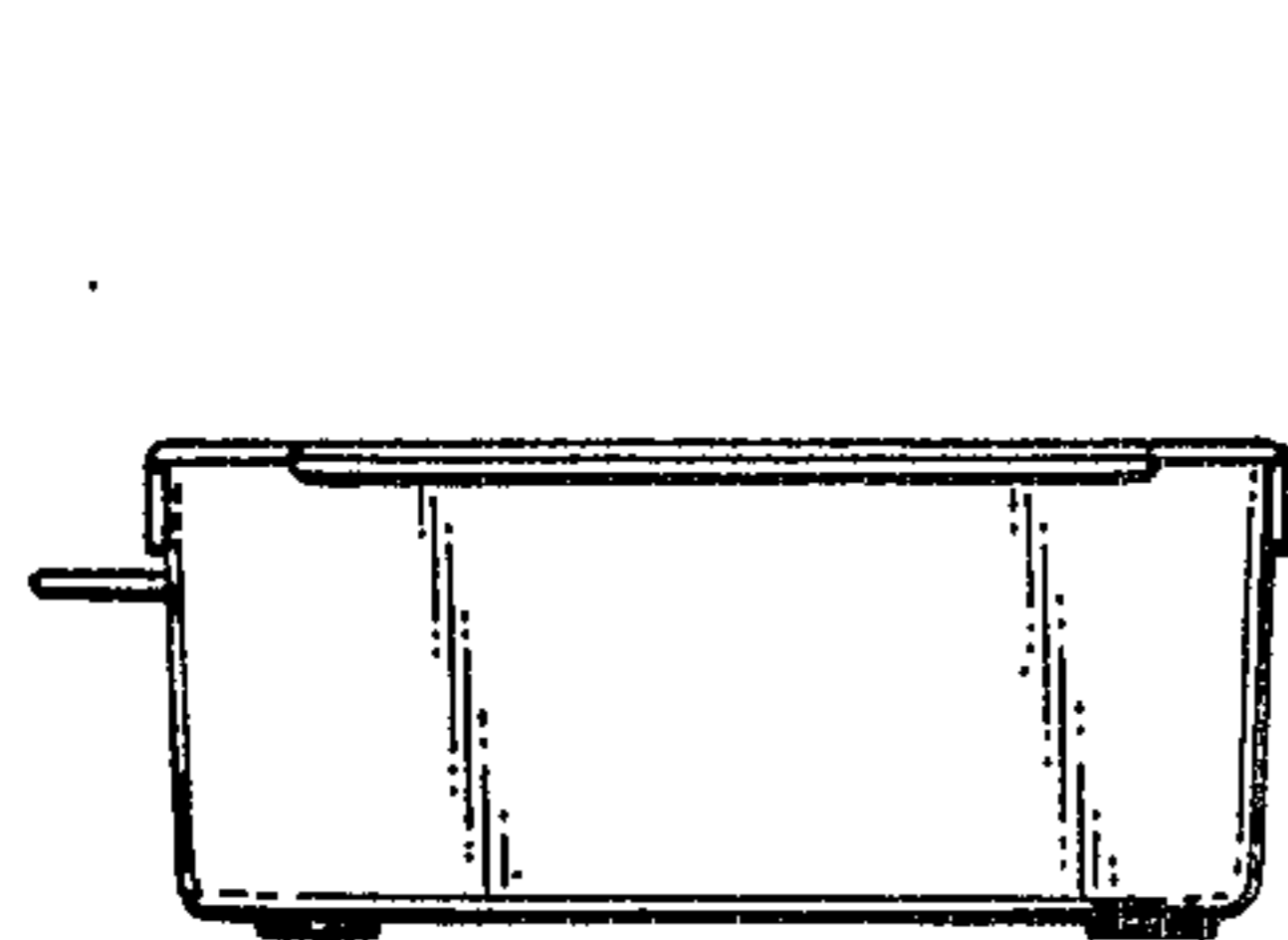


FIG. 6.

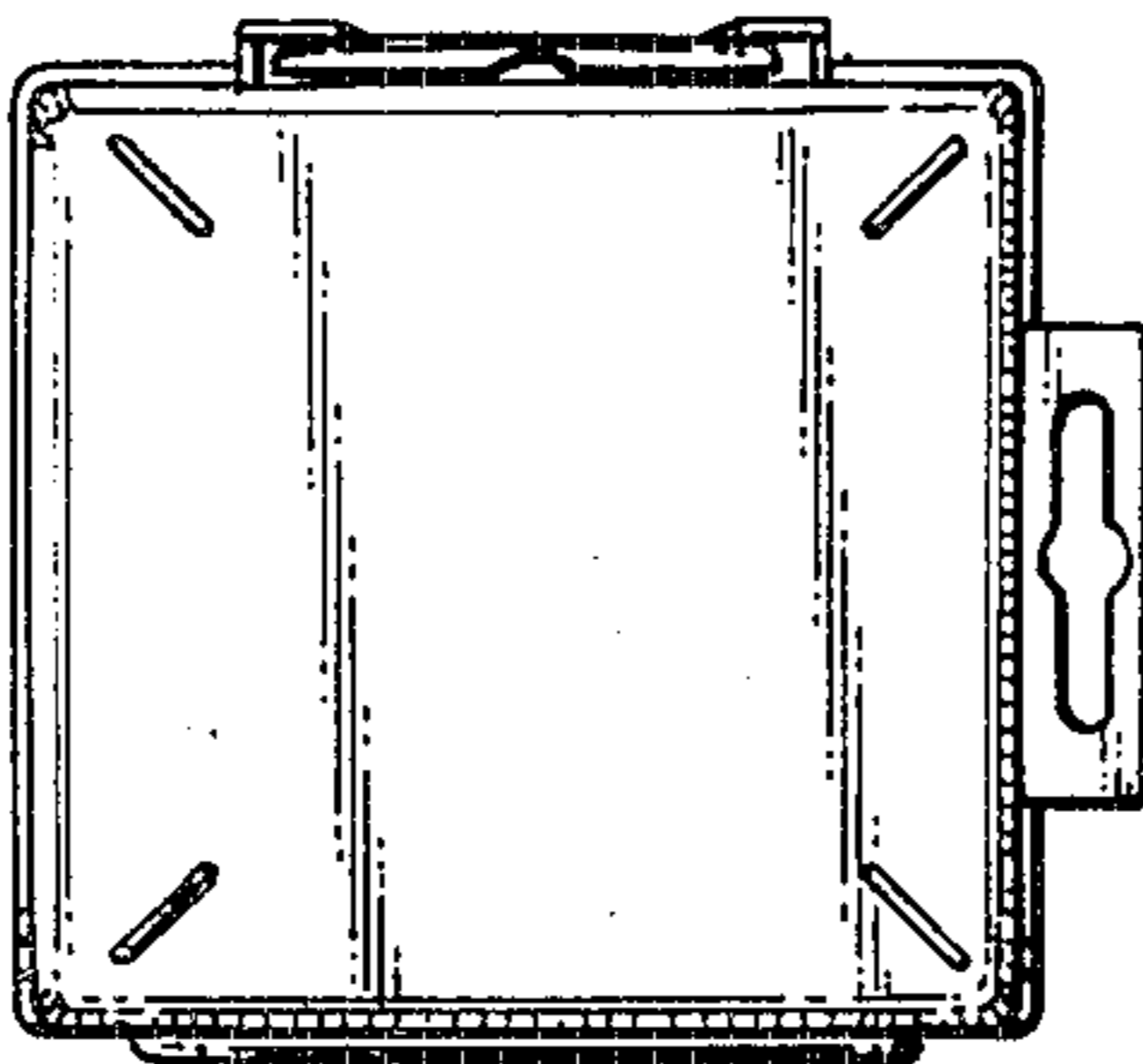


FIG. 7.