

[54] CONTAINER FOR LIQUIDS

[76] Inventor: Kenneth A. Latta, 7011 Silverleaf La., Houston, Tex. 77088

[**] Term: 14 Years

[21] Appl. No.: 643,179

[22] Filed: Aug. 22, 1984

[52] U.S. Cl. D9/390

[58] Field of Search D9/349, 350, 351, 355, D9/390, 396, 399, 400; 215/1 R, 1 F; 220/1 R, 1 S

[56] References Cited

U.S. PATENT DOCUMENTS

- D. 53,447 6/1919 Kasai .
- D. 114,557 5/1939 Mitardy D9/400
- D. 201,400 6/1965 Kneeland D9/400
- D. 223,899 6/1972 United 9/218

- D. 229,891 1/1974 Barrash D9/351
- D. 255,544 6/1980 Humphries 9/159
- D. 261,106 10/1981 Winchell et al. 9/360
- D. 261,985 11/1981 Fowles et al. 9/390
- D. 265,888 8/1982 Epperson 9/375
- 2,415,589 2/1947 Hahn D9/355 X
- 3,391,824 7/1968 Wiseman .
- 4,416,373 11/1983 deLarosiere 206/432

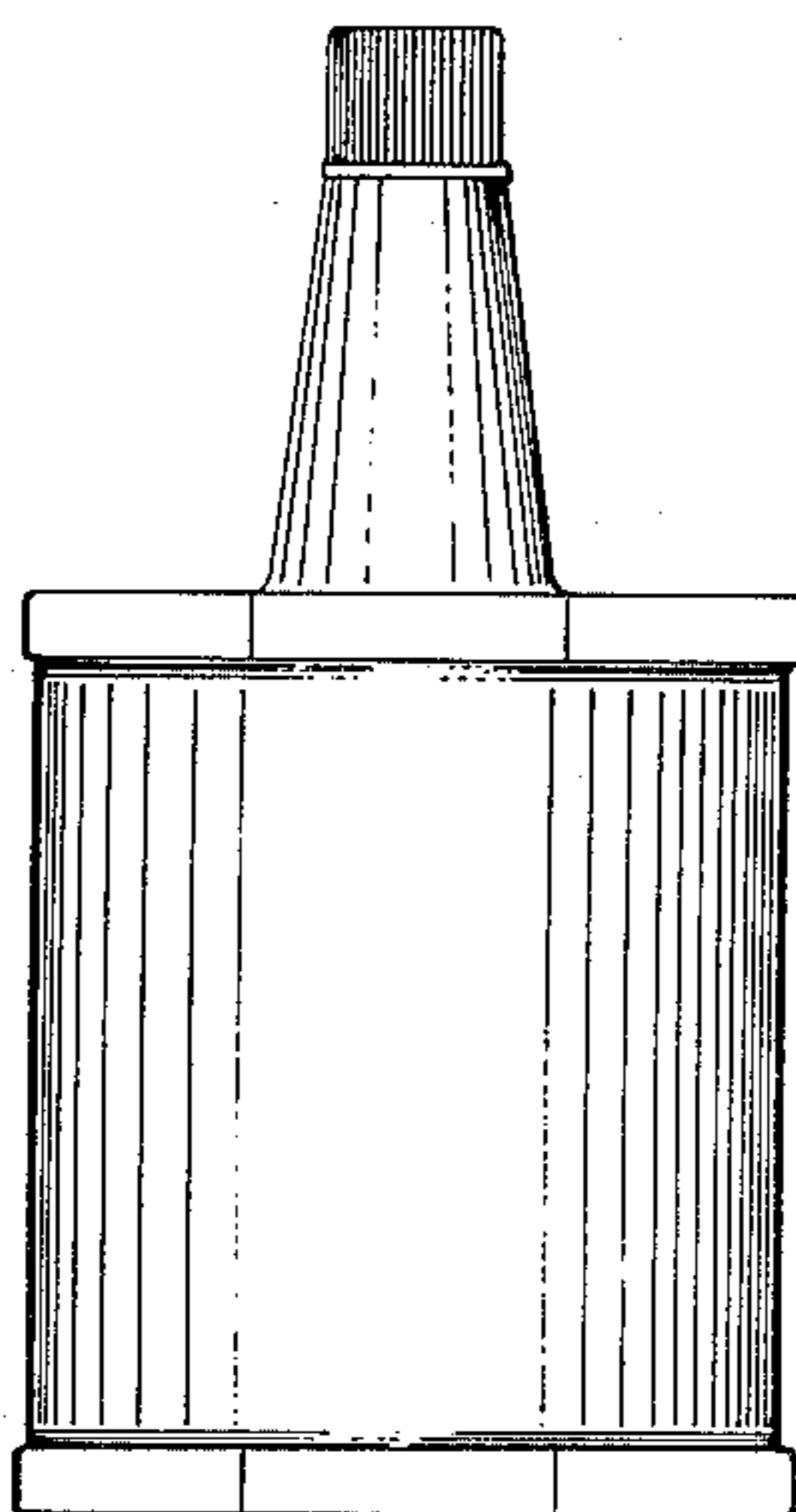
Primary Examiner—Robert C. Spangler
Attorney, Agent, or Firm—Arnold, White & Durkee

[57] CLAIM

The ornamental design for a container for liquids, substantially as shown and described.

DESCRIPTION

FIG. 1 is an elevational view of a container for liquids showing my new design, the opposite side being the same in appearance;
FIG. 2 is a top plan view; and
FIG. 3 is a bottom plan view thereof.



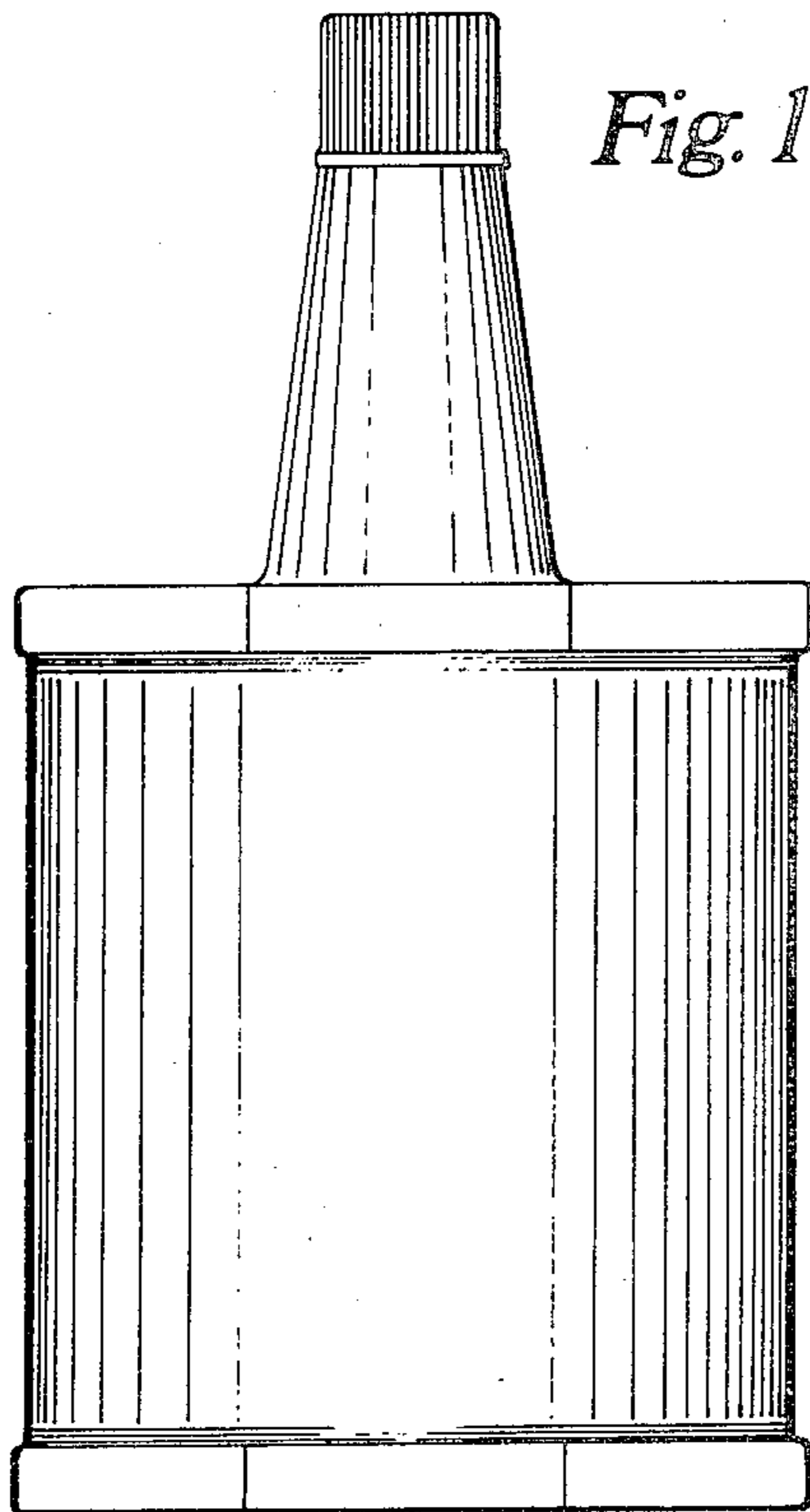


Fig. 1

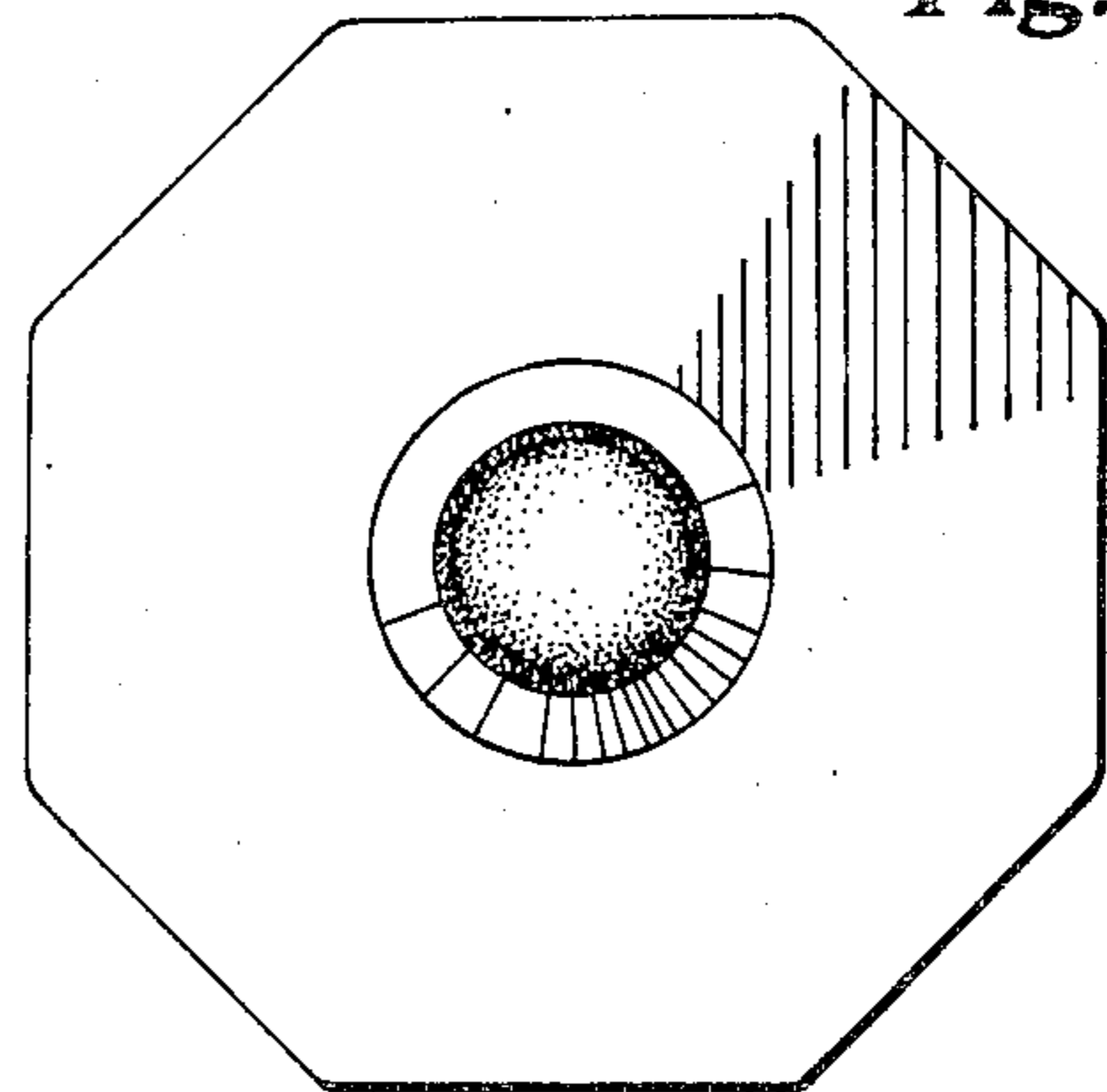


Fig. 2

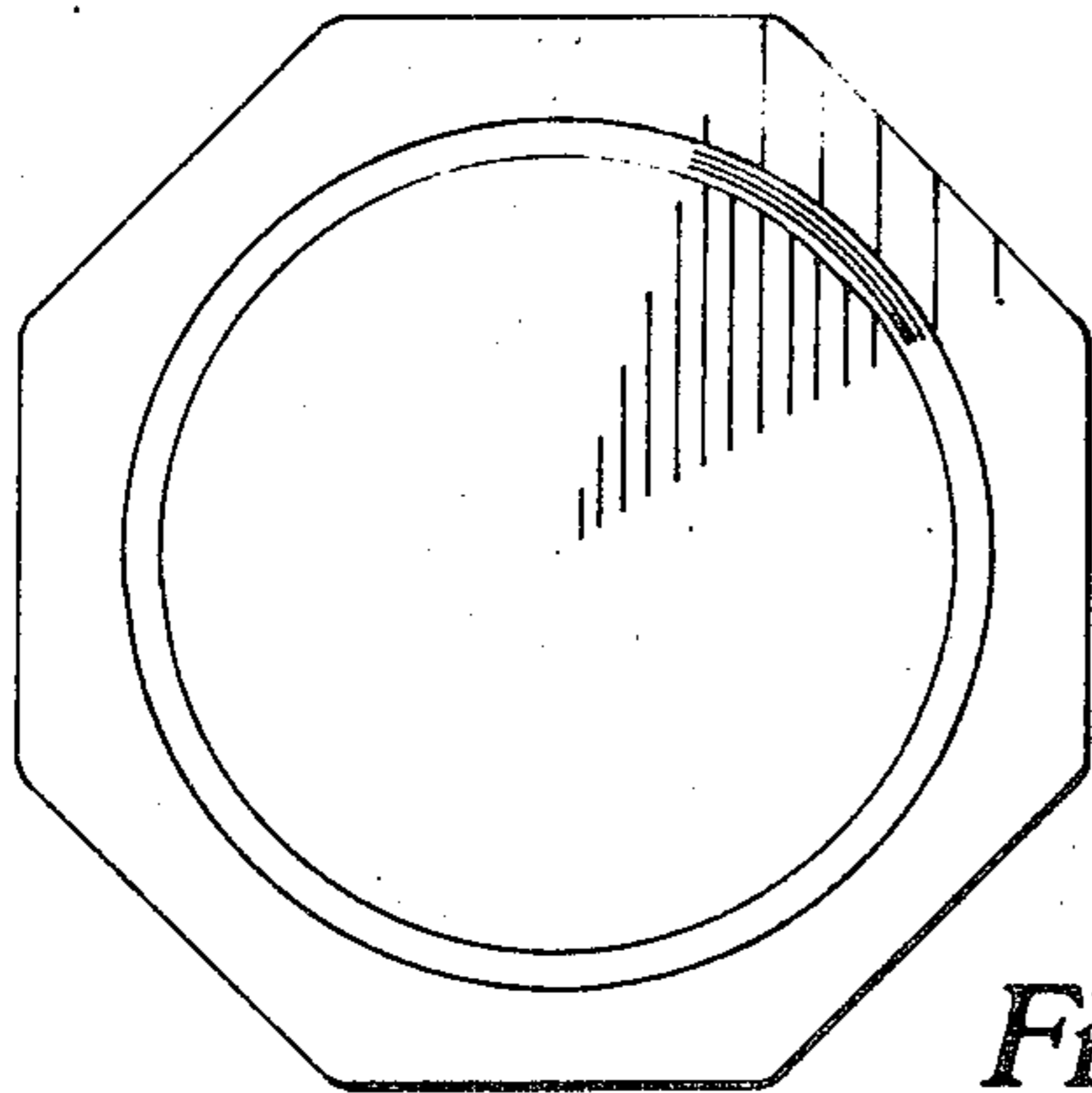


Fig. 3