

[54] ROCK ANCHOR

[75] Inventor: Charles J. MacKarvich, Atlanta, Ga.

[73] Assignee: Tie Down Engineering, Inc., Atlanta, Ga.

[**] Term: 14 Years

[21] Appl. No.: 655,244

[22] Filed: Sep. 28, 1984

[52] U.S. Cl. D8/388; D8/356; D21/255

[58] Field of Search D8/1, 356, 388; D21/255; 52/155; 135/118; 248/499

[56] References Cited

U.S. PATENT DOCUMENTS

- D. 245,224 8/1977 Bowers D8/388
- D. 270,365 8/1983 Hawk D8/356
- 2,863,177 12/1958 Nelson et al. 52/155

- 3,937,436 2/1976 Stewart 248/499
- 4,473,332 9/1984 Sturdy 248/499

FOREIGN PATENT DOCUMENTS

- 0286554 1/1965 Australia 52/155

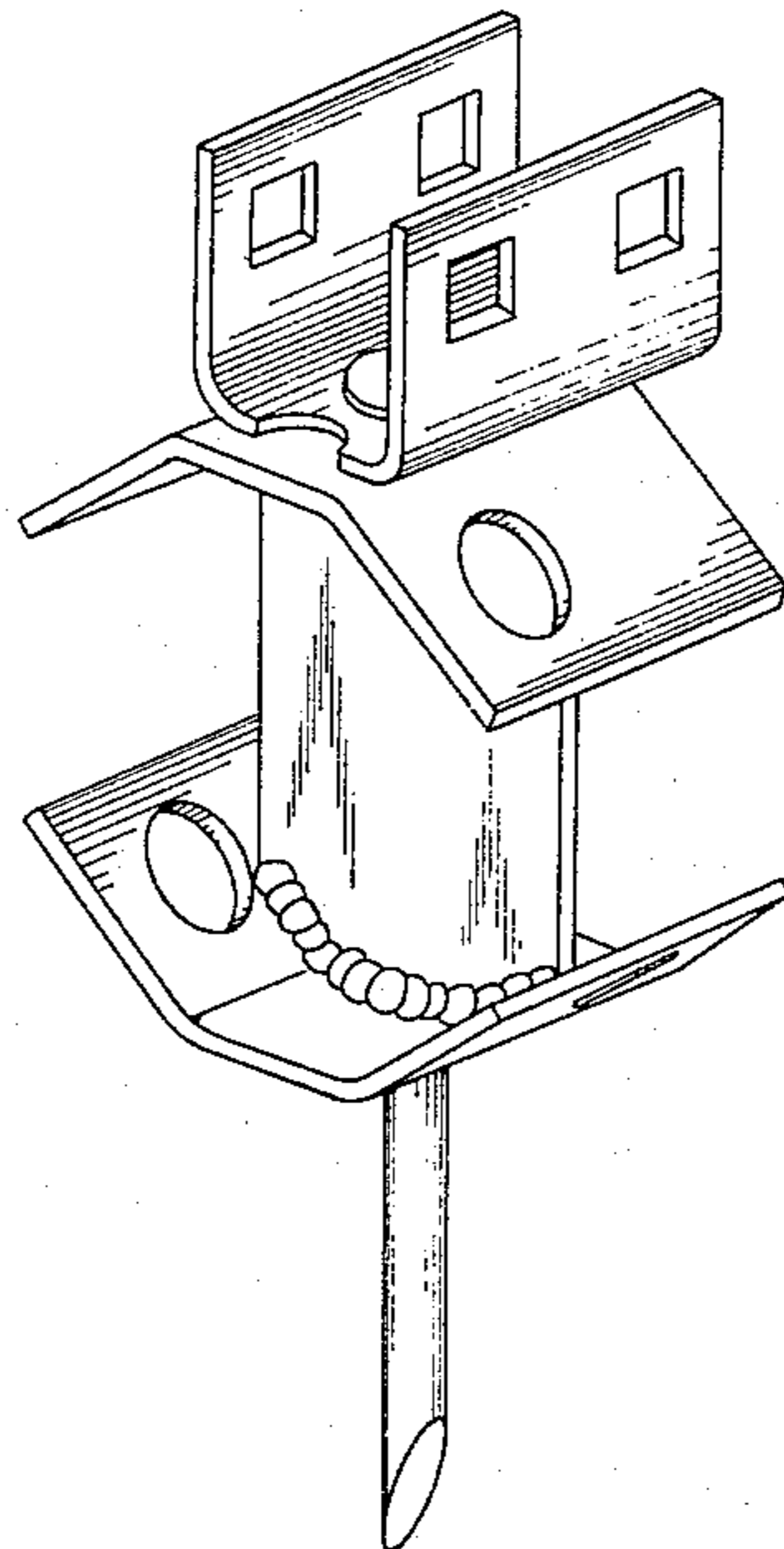
Primary Examiner—B. J. Bullock
Attorney, Agent, or Firm—James R. Haller

[57] CLAIM

The ornamental design for a rock anchor, as shown and described.

DESCRIPTION

- FIG. 1 is a perspective view of a rock anchor showing my new design;
- FIG. 2 is a front side view thereof, the rear being a mirror image;
- FIG. 3 is a right side view thereof;
- FIG. 4 is a left side view thereof;
- FIG. 5 is a top view thereof;
- FIG. 6 is a bottom view thereof.



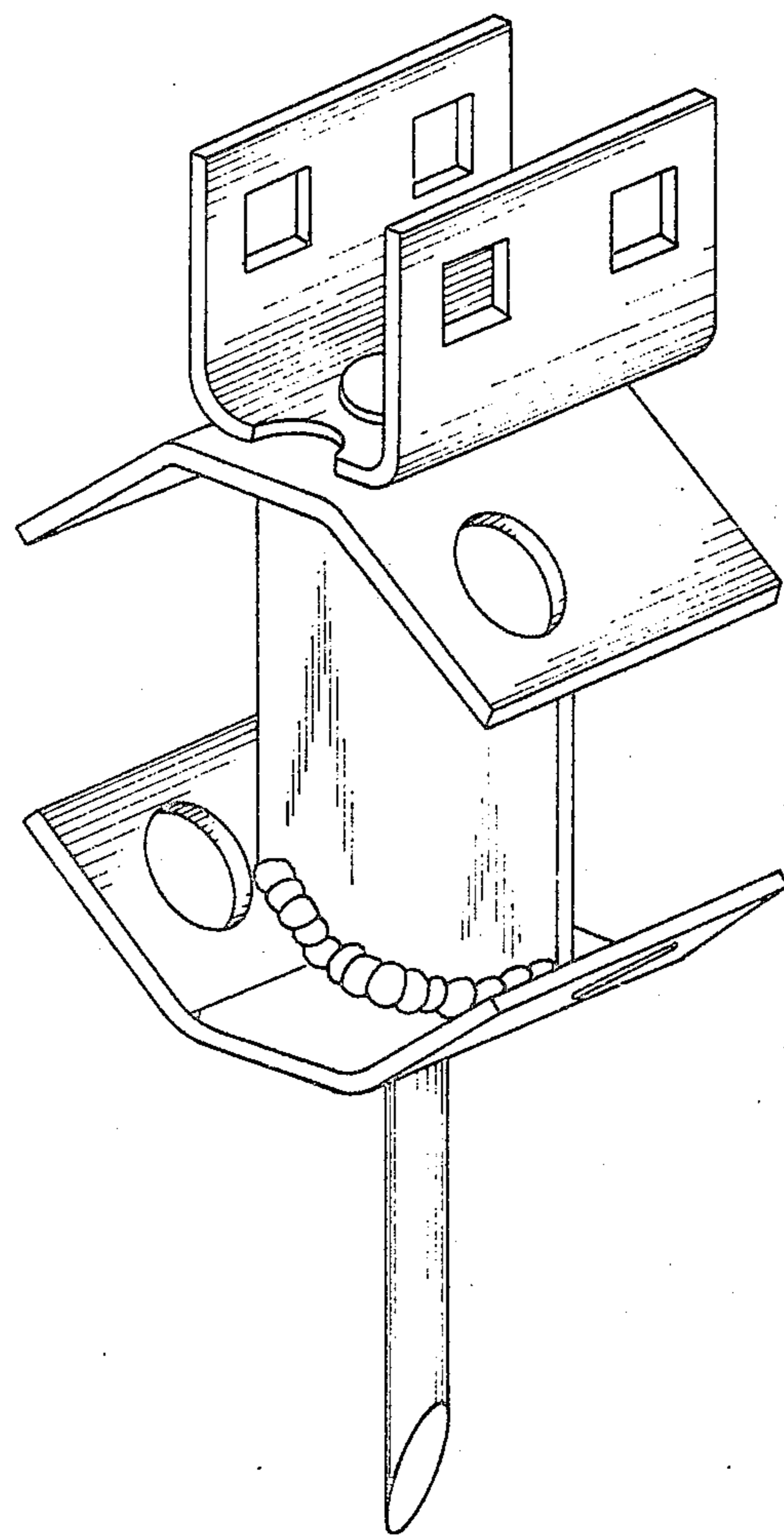
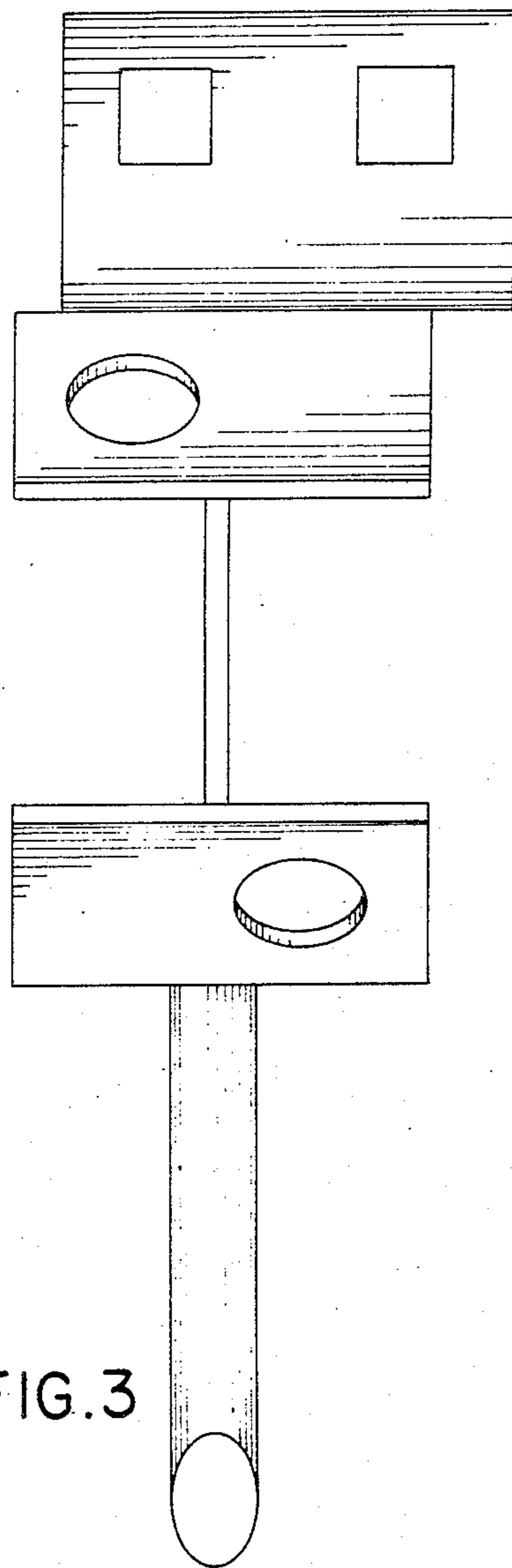
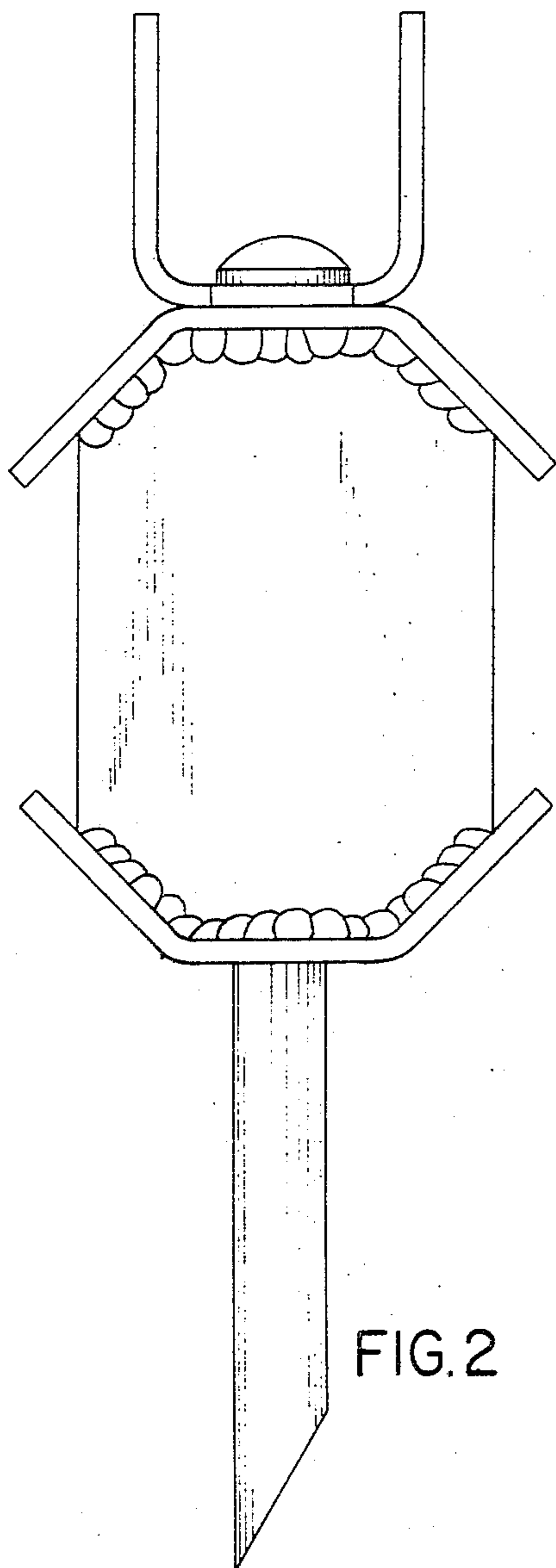


FIG. 1



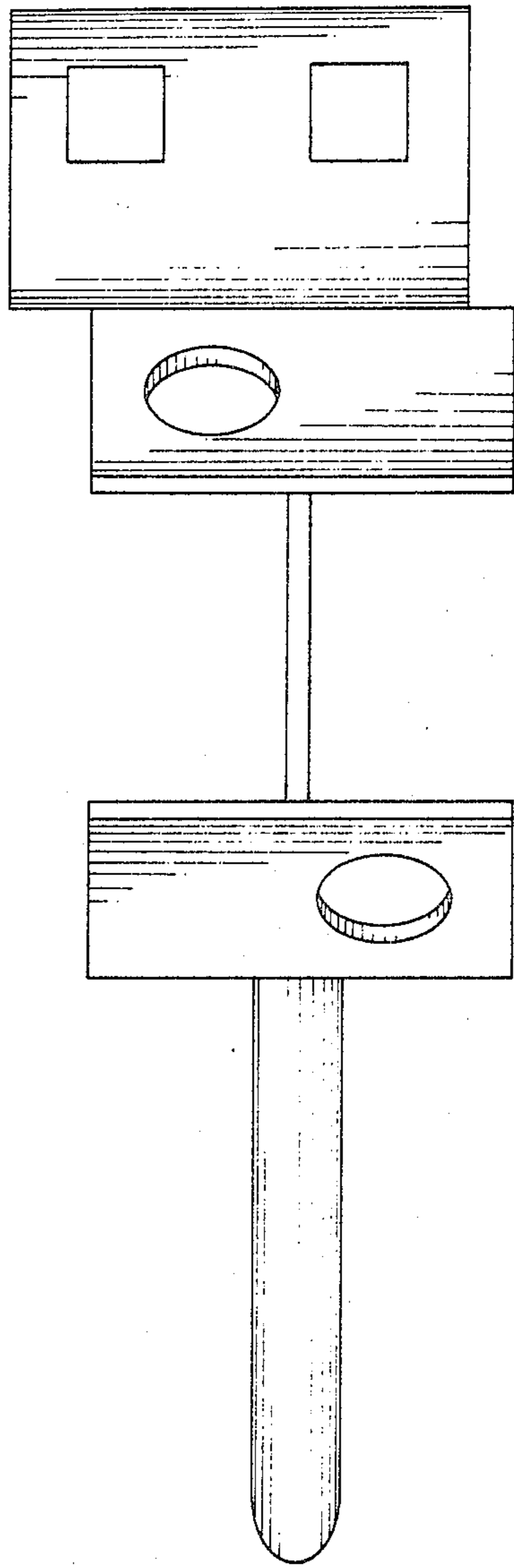


FIG. 4

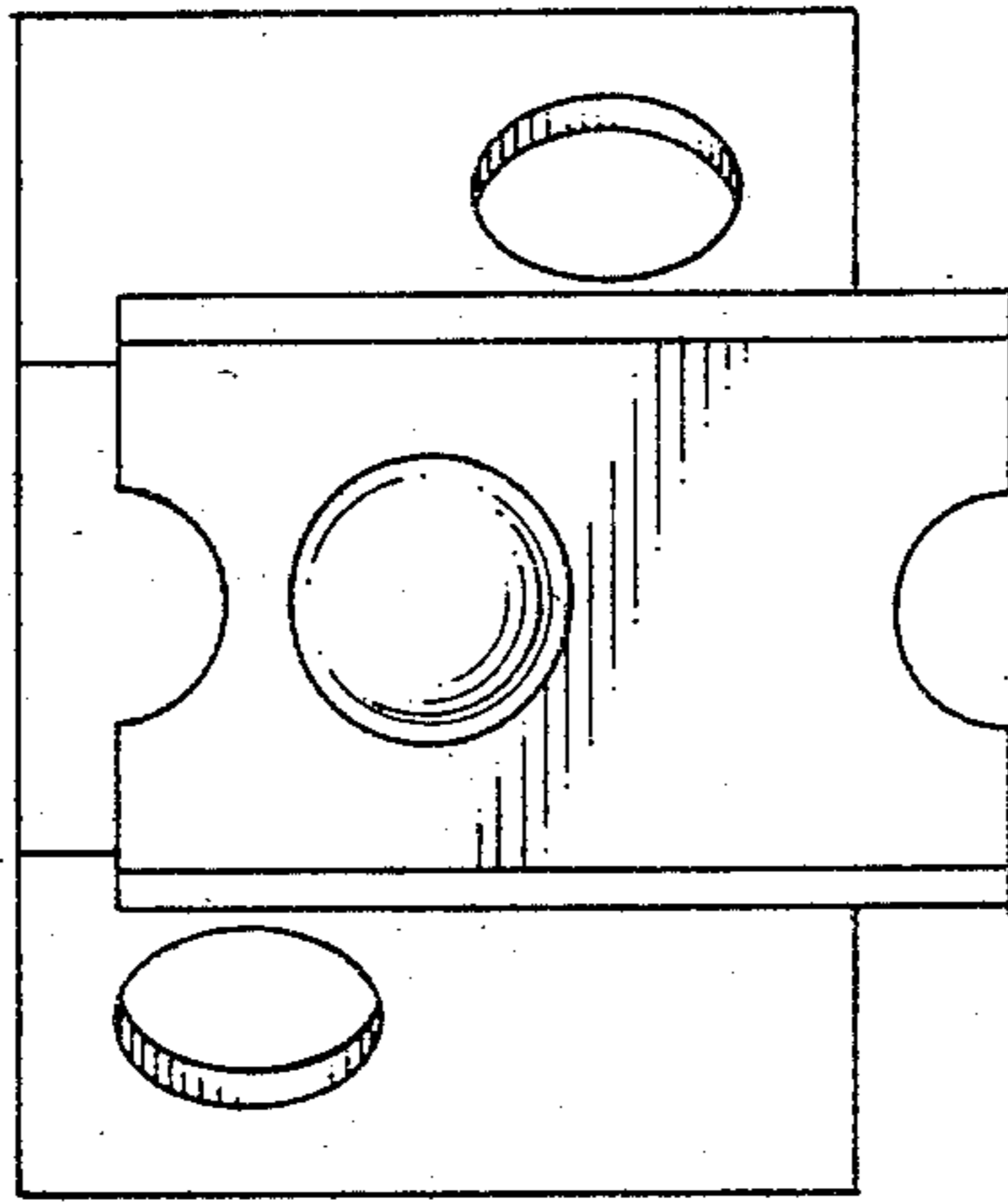


FIG. 5

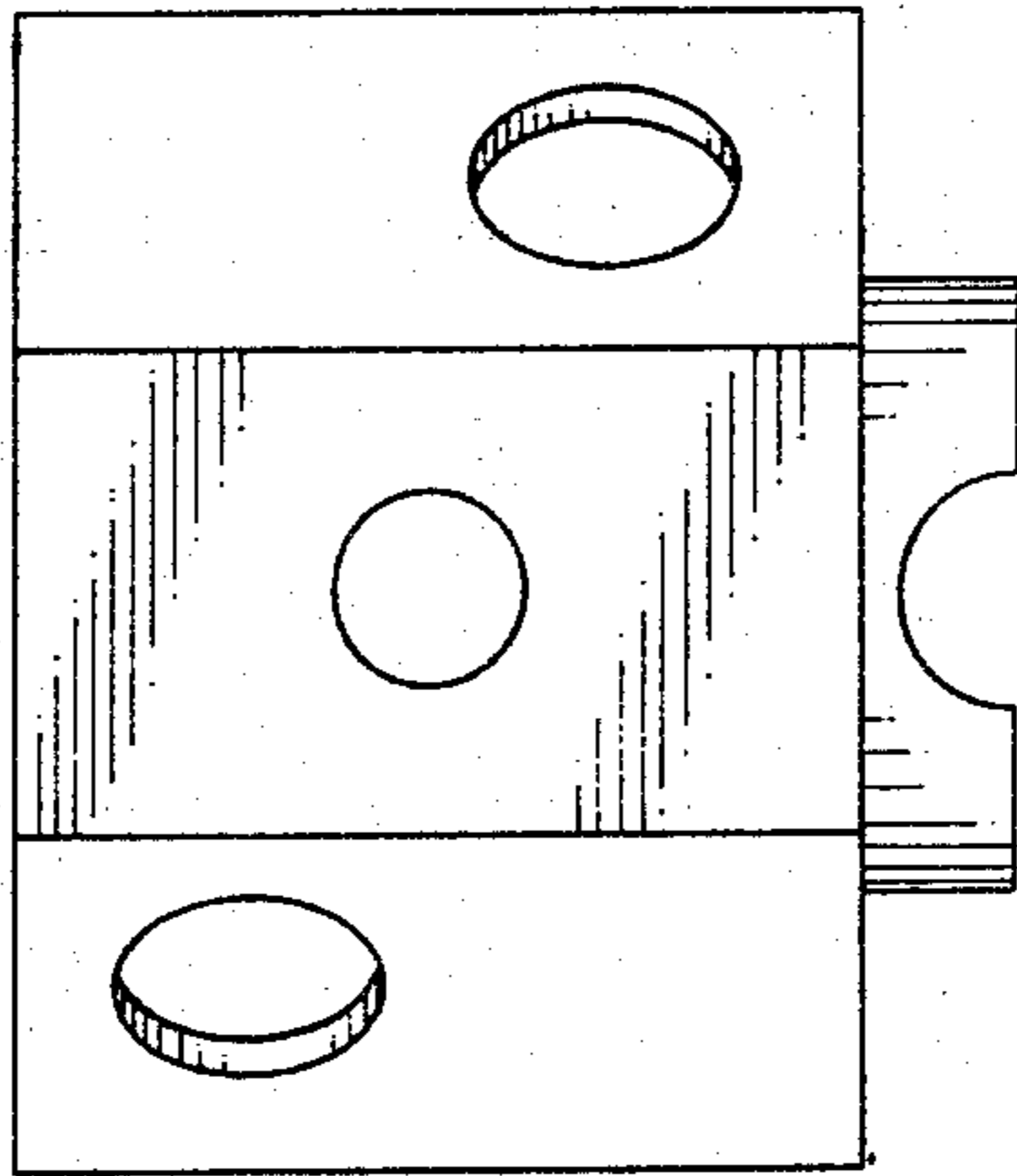


FIG. 6