

[54] WATER SKI ROPE CONNECTOR

[75] Inventor: Richard W. Donalies, Hoffman Estates, Ill.

[73] Assignee: Midwest Marine Development Corporation, Hoffman Estates, Ill.

[**] Term: 14 Years

[21] Appl. No.: 619,801

[22] Filed: Jun. 12, 1984

[52] U.S. Cl. D8/382; D8/356; D8/383

[58] Field of Search D8/382, 356, 383; 24/129 R, 238.5 R; 114/253

[56] References Cited

U.S. PATENT DOCUMENTS

D. 161,799	1/1951	Sprung	D8/356
D. 208,007	6/1967	La Pierre	D8/356
554,228	2/1896	Beckwith .	
806,925	12/1905	Scogin .	
1,361,249	12/1920	Giffin	24/129 R
1,702,946	2/1929	Powers et al. .	
1,906,707	5/1933	Morgan et al. .	

2,048,277	7/1936	Mays .	
2,663,922	12/1953	Silver	24/129 R
2,978,767	4/1961	Goss .	
3,335,468	8/1967	Harley .	
3,353,232	11/1967	Brownson .	
3,665,562	5/1972	Gower .	
4,213,413	7/1980	Courtney .	

Primary Examiner—B. J. Bullock
Attorney, Agent, or Firm—Neuman, Williams, Anderson & Olson

[57] CLAIM

The ornamental design for a water ski rope connector, substantially as shown and described.

DESCRIPTION

FIG. 1 is a rear perspective view of a water ski rope connector showing my new design, the portions of rope shown in broken lines at each end are for illustrative purposes only;
FIG. 2 is a right side view thereof, the left side being a mirror image;
FIG. 3 is a top view thereof;
FIG. 4 is a bottom view thereof;
FIG. 5 is a rear view thereof;
FIG. 6 is a front view thereof.

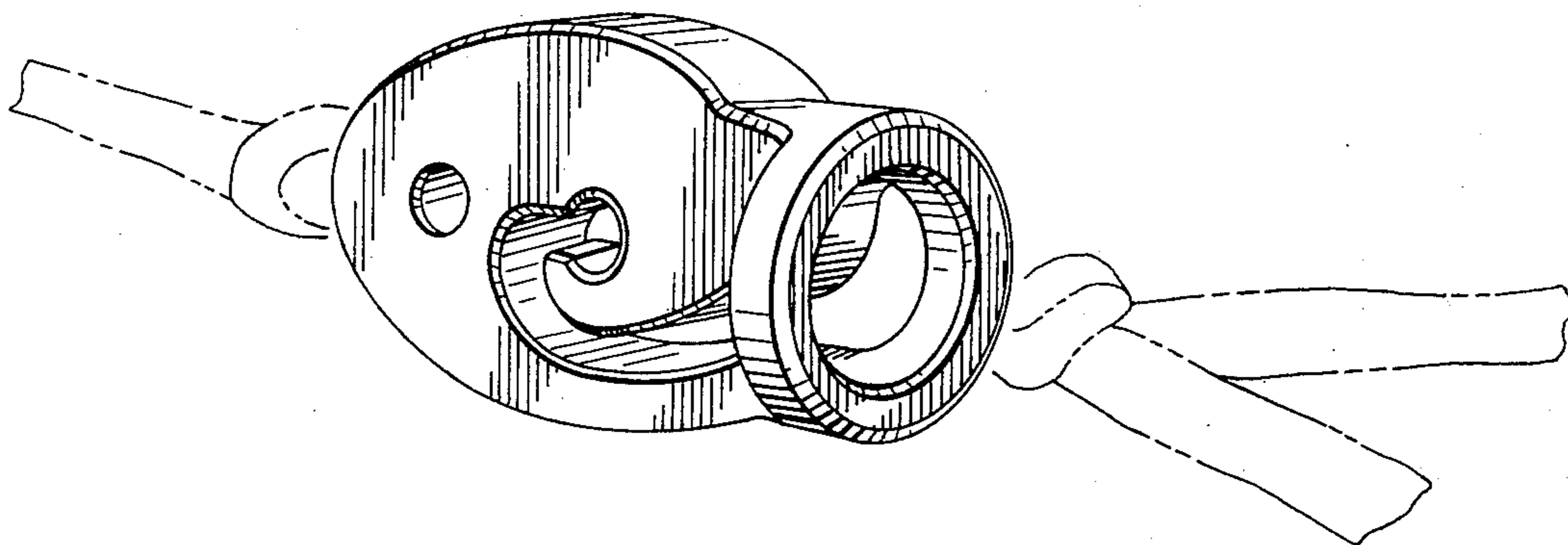


FIG. 1

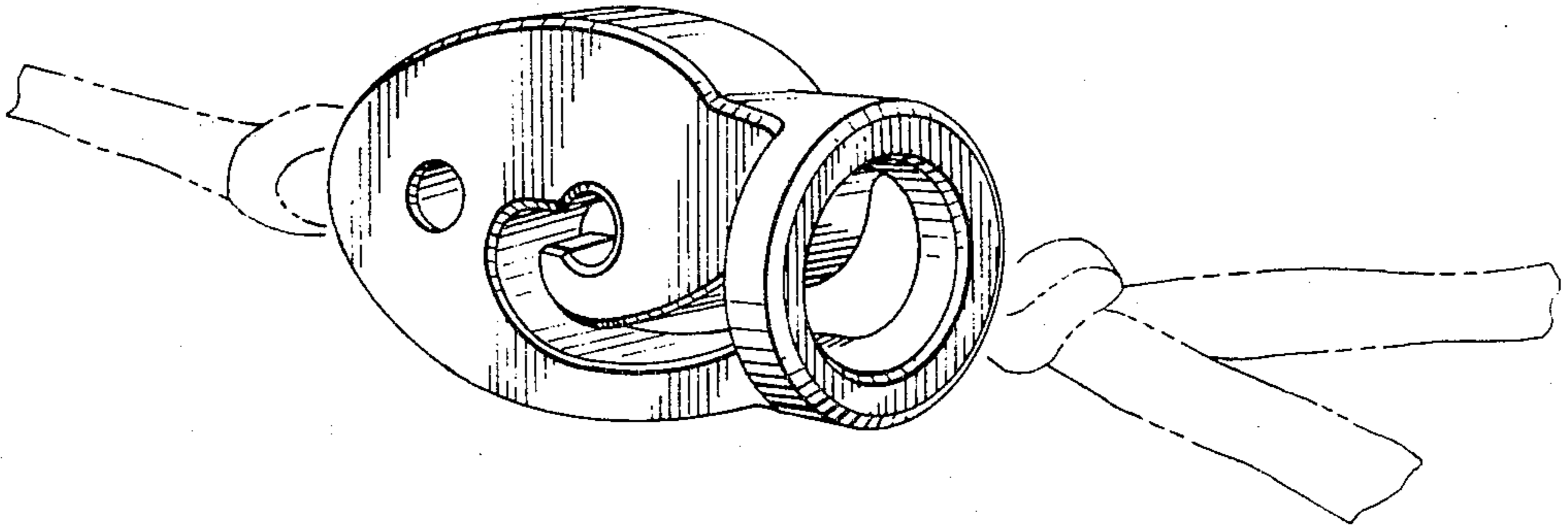


FIG. 2

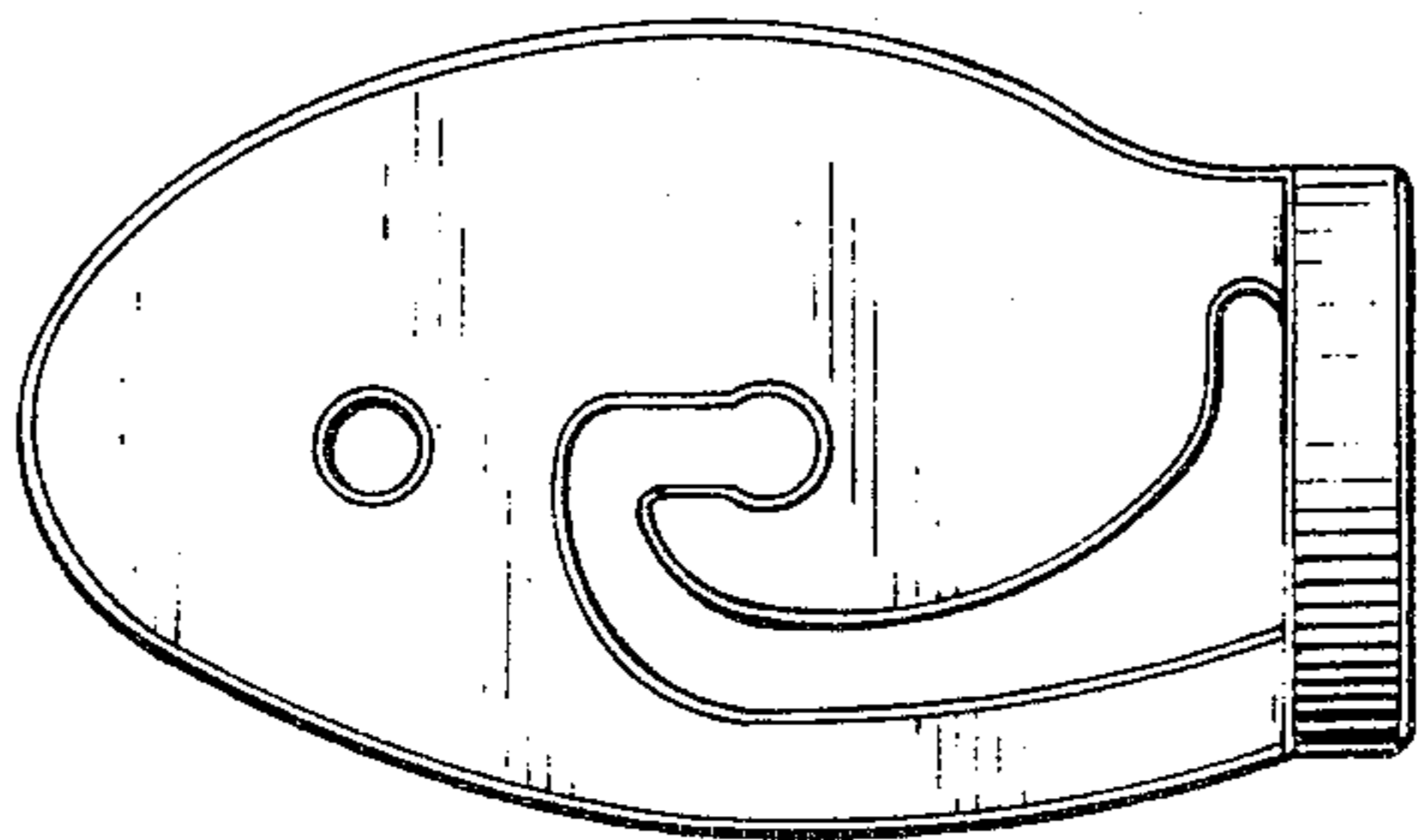


FIG. 3

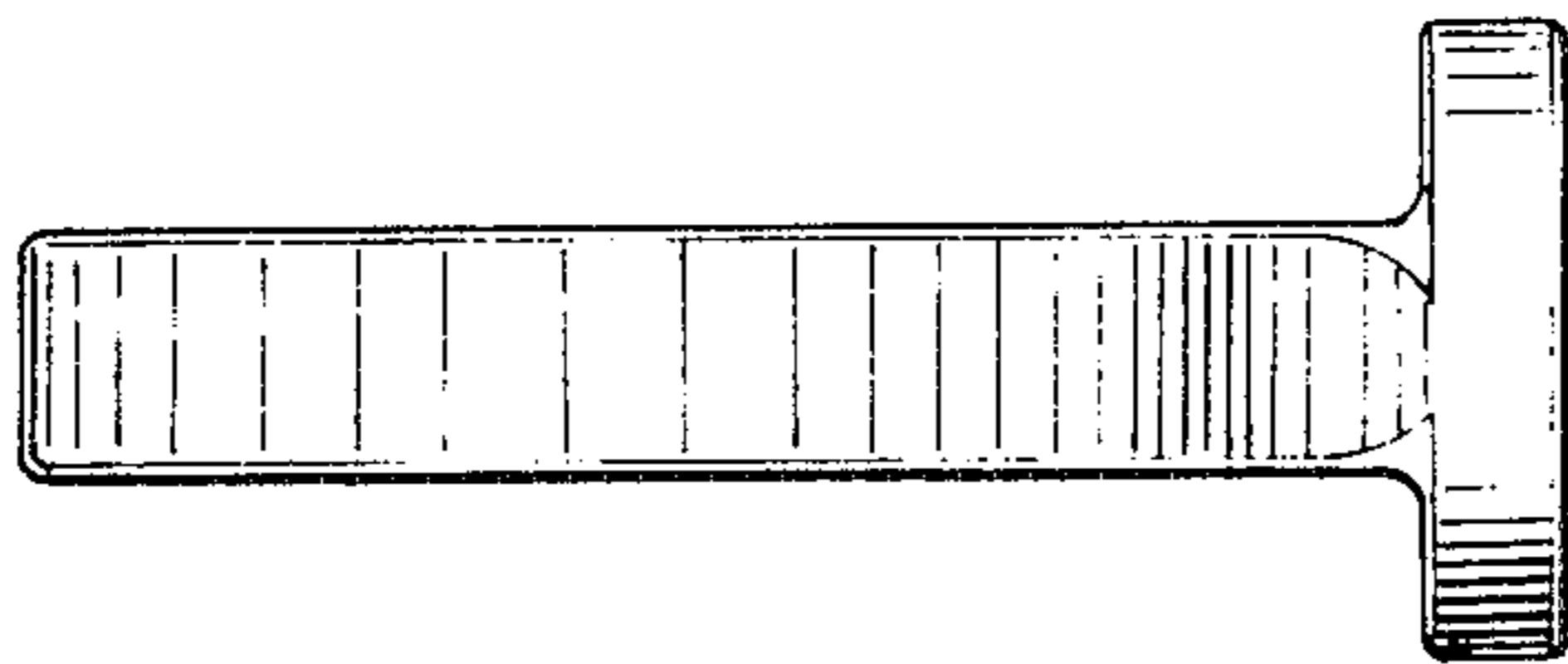


FIG. 4

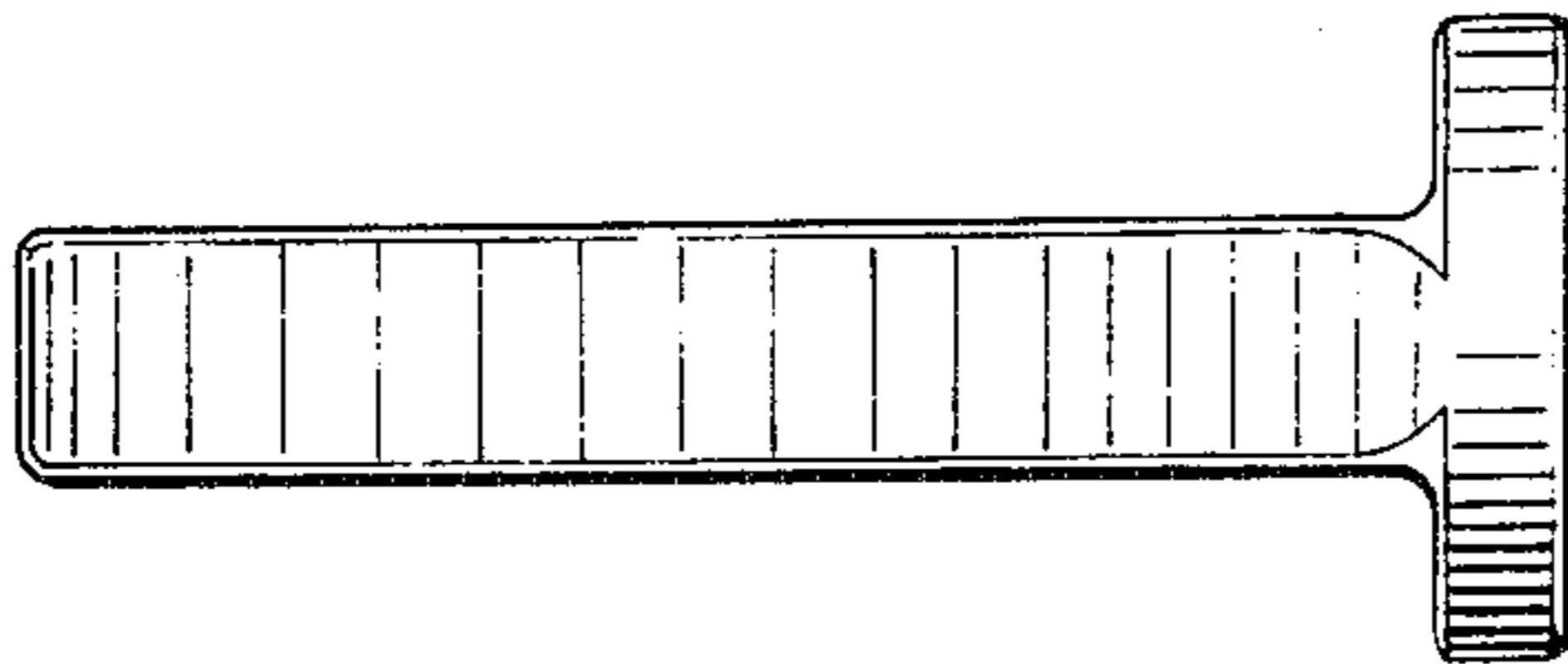


FIG. 5

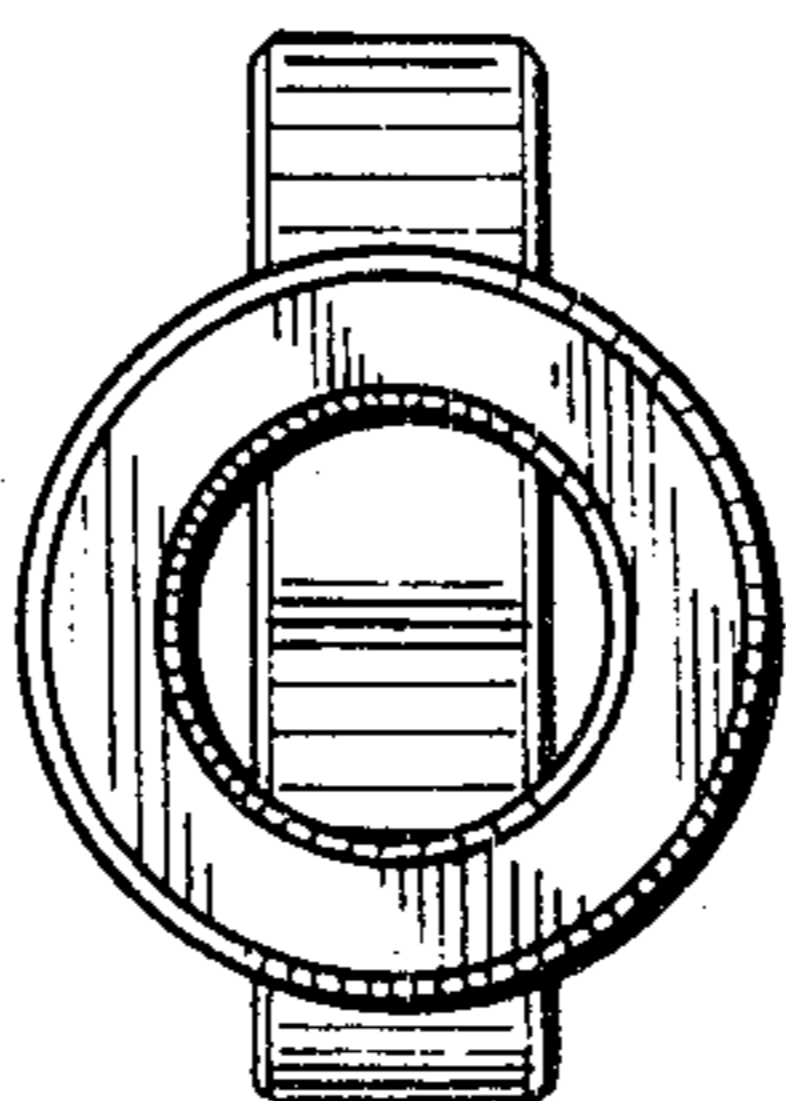


FIG. 6

