

[54] ADJUSTABLE LOCKING HANDLE

[75] Inventor: Giorgio Decursu, Milan, Italy

[73] Assignee: Elessa S.p.A., Milan, Italy

[**] Term: 14 Years

[21] Appl. No.: 574,300

[22] Filed: Jan. 27, 1984

[30] Foreign Application Priority Data

Aug. 4, 1983 [IT] Italy 22589/83[U]
 [52] U.S. Cl. D8/308; D8/302
 [58] Field of Search D8/300, 307, 308;
 D23/28-31; 16/110 R, 111 R, 114 R, 117, 118,
 121; 292/347

[56] References Cited

U.S. PATENT DOCUMENTS

D. 91,077 11/1933 Morgan D8/308
 D. 100,904 8/1936 Lemm D8/308
 D. 189,524 1/1961 Savage D8/302

D. 197,553 2/1964 Moffei D8/308
 1,411,107 3/1922 Kaimer 292/347
 3,965,528 6/1976 Kissler 16/110 R
 4,343,502 8/1982 Nelson 16/121

FOREIGN PATENT DOCUMENTS

1426021 2/1976 United Kingdom 16/111 R

Primary Examiner—B. J. Bullock
Attorney, Agent, or Firm—Stevens, Davis, Miller & Mosher

[57] CLAIM

The ornamental design for an adjustable locking handle, as shown.

DESCRIPTION

FIG. 1 is a perspective view of an adjustable locking handle showing my new design;
 FIG. 2 is a reduced bottom plan view thereof;
 FIG. 3 is a reduced right end elevational view thereof;
 FIG. 4 is a reduced front elevational view thereof;
 FIG. 5 is a reduced left end elevational view thereof;
 FIG. 6 is a reduced top plan view thereof.

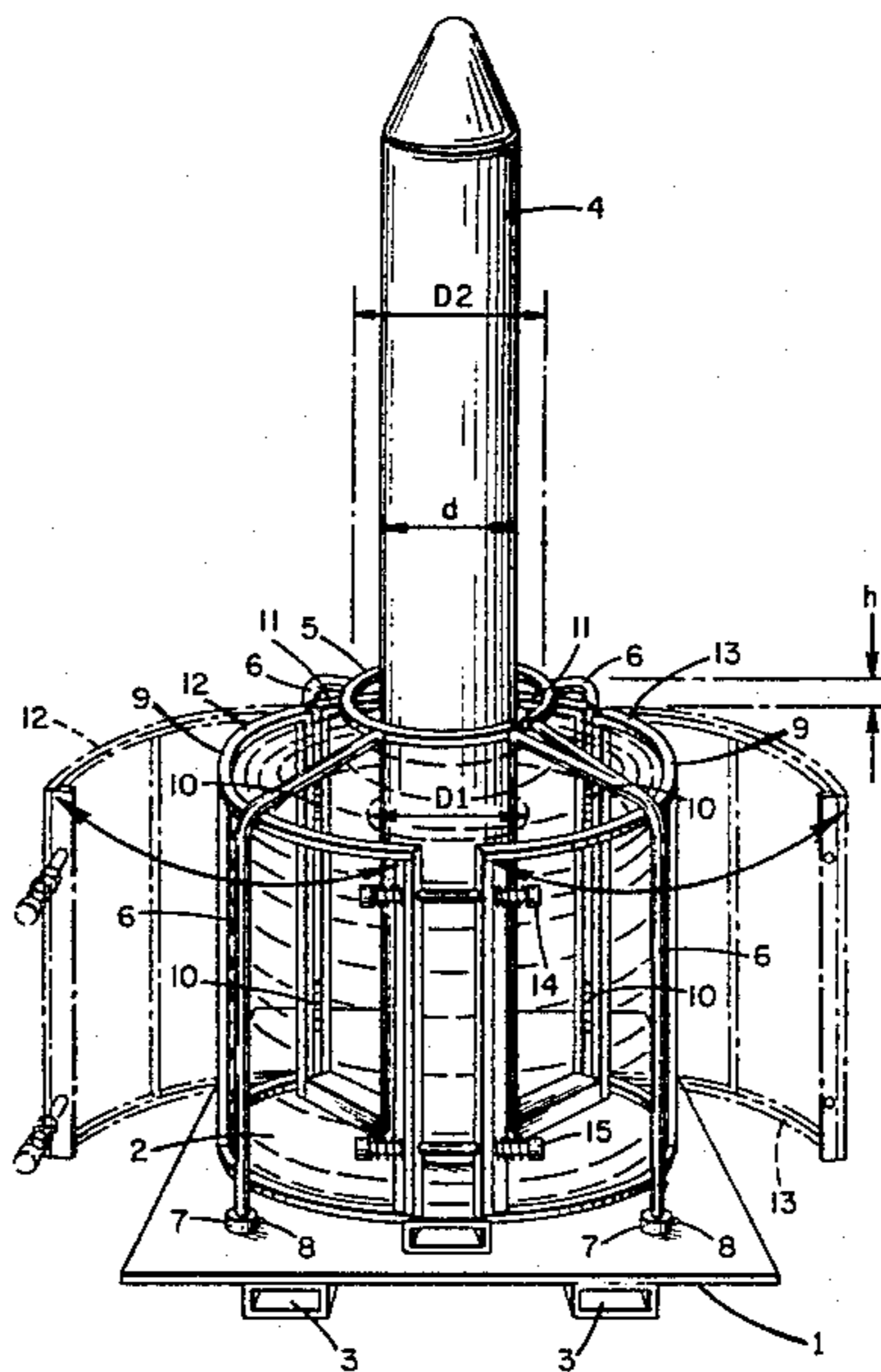


FIG. 1

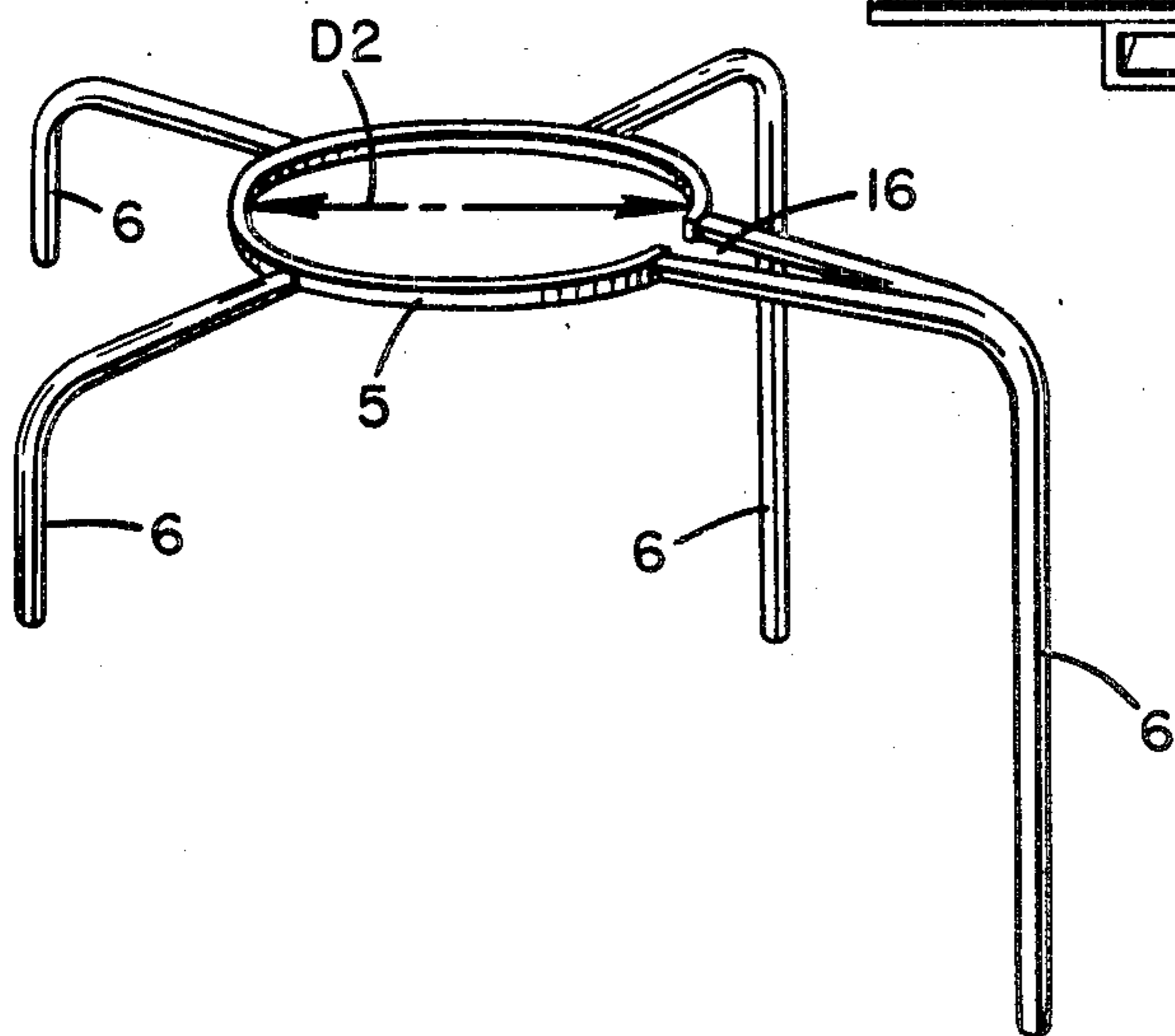
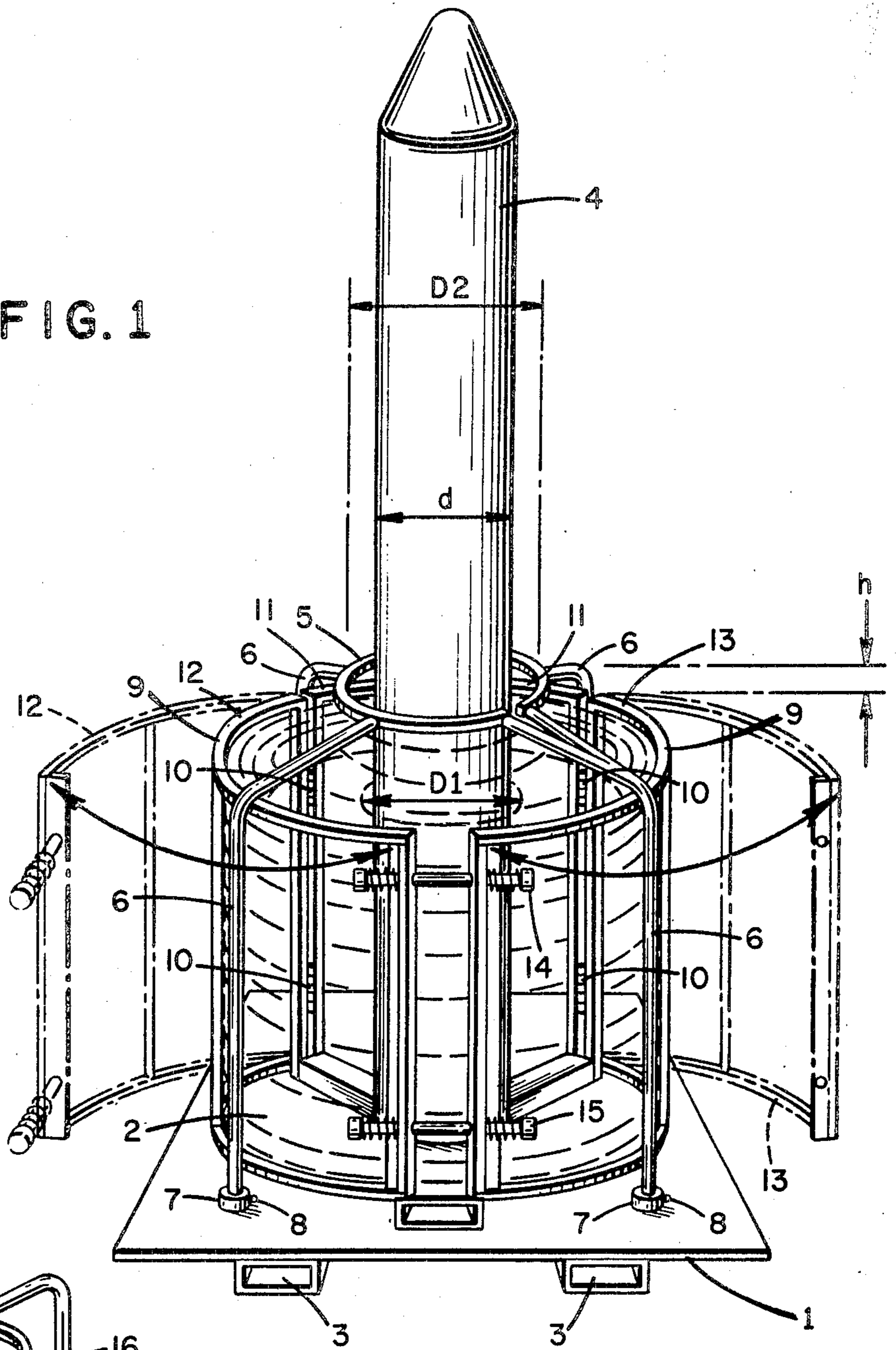


FIG. 2

UNITED STATES PATENT AND TRADEMARK OFFICE
CERTIFICATE OF CORRECTION

PATENT NO. : Des. No. 287,458
DATED : December 30, 1986
INVENTOR(S) : Giorgio Decursu

Page 1 of 4

It is certified that error appears in the above-identified patent and that said Letters Patent is hereby corrected as shown below:

The Title Page should be deleted to appear as per attached Title Page.

Figures 1 and 2 of the drawing should be deleted to appear as per attached Figures 1 - 6.

**Signed and Sealed this
Thirteenth Day of October, 1987**

Attest:

DONALD J. QUIGG

Attesting Officer

Commissioner of Patents and Trademarks

United States Patent [19]

[11] **Patent Number: Des. 287,458**

Decursa

[45] **Date of Patent: Dec. 30, 1986**

[54] **ADJUSTABLE LOCKING HANDLE**

[75] **Inventor: Giorgio Decursa, Milan, Italy**

[73] **Assignee: Elem S.p.A., Milan, Italy**

[**] **Term: 14 Years**

[21] **Appl. No.: 574,300**

[22] **Filed: Jan. 27, 1984**

[30] **Foreign Application Priority Data**

Aug. 4, 1983 [IT] Italy 22589/83[U]

[52] **U.S. CL. D8/308; D8/302**

[58] **Field of Search D8/300, 307, 308;
D23/28-31; 16/110 R, 111 R, 114 R, 117, 118,
121; 292/347**

[56] **References Cited**

U.S. PATENT DOCUMENTS

- D. 91,077 11/1933 Morgan D8/308
- D. 100,904 8/1936 Lemm D8/308
- D. 189,524 1/1961 Savage D8/302

- D. 197,553 2/1964 Moffei D8/308
- 1,411,107 3/1922 Kaimer 292/347
- 3,963,528 6/1976 Kissler 16/110 R
- 4,343,502 8/1982 Nelson 16/121

FOREIGN PATENT DOCUMENTS

- 1426021 2/1976 United Kingdom 16/111 R

Primary Examiner—B. J. Bullock

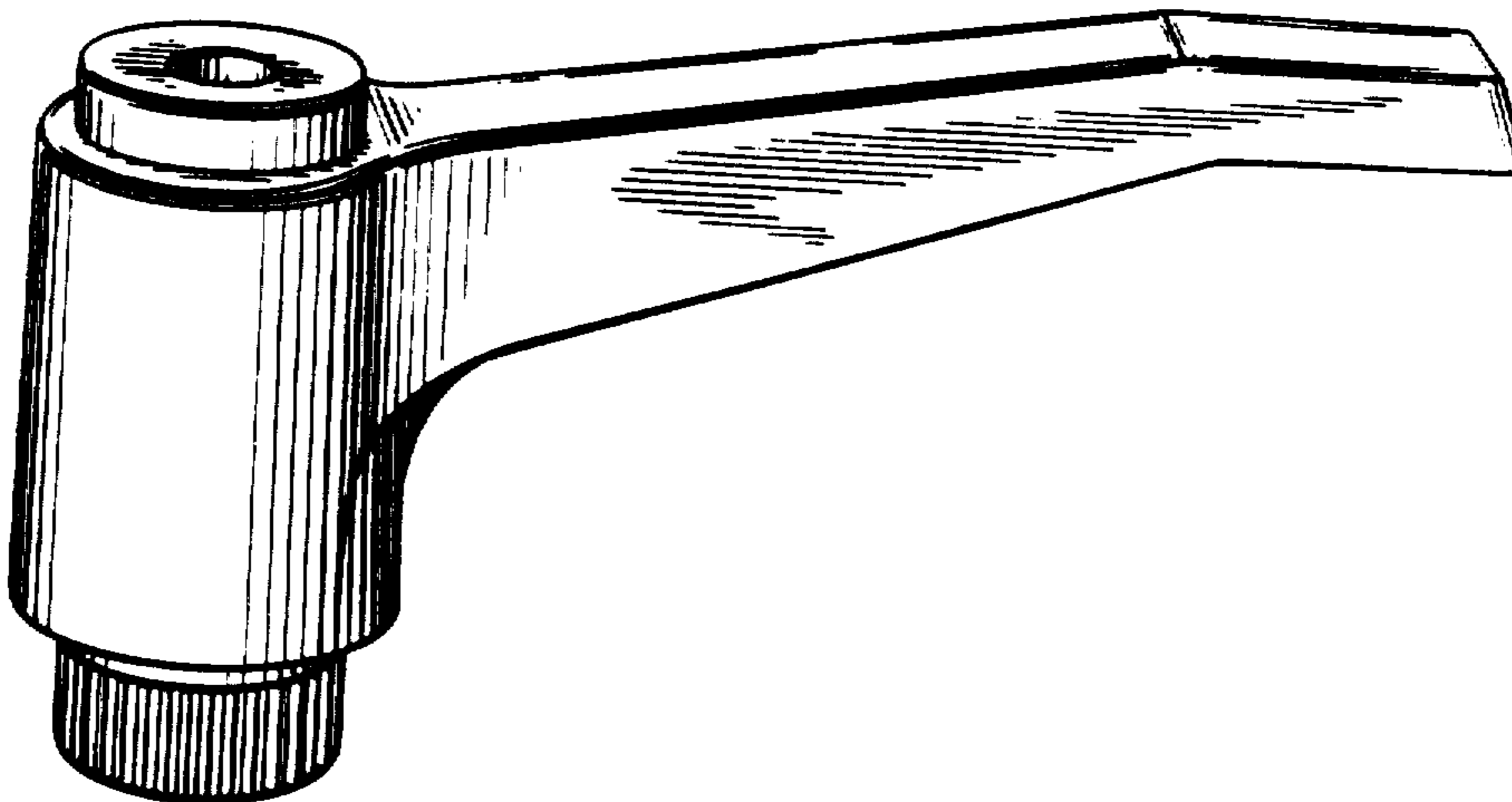
Attorney, Agent, or Firm—Stevens, Davis, Miller & Mosher

[57] **CLAIM**

The ornamental design for an adjustable locking handle, as shown.

DESCRIPTION

FIG. 1 is a perspective view of an adjustable locking handle showing my new design;
 FIG. 2 is a reduced bottom plan view thereof;
 FIG. 3 is a reduced right end elevational view thereof;
 FIG. 4 is a reduced front elevational view thereof;
 FIG. 5 is a reduced left end elevational view thereof;
 FIG. 6 is a reduced top plan view thereof.



UNITED STATES PATENT AND TRADEMARK OFFICE
CERTIFICATE OF CORRECTION

PATENT NO. : Des. No. 287,458

Page 3 of 4

DATED : December 30, 1986

INVENTOR(S) : Giorgio Decursu

It is certified that error appears in the above-identified patent and that said Letters Patent is hereby corrected as shown below:

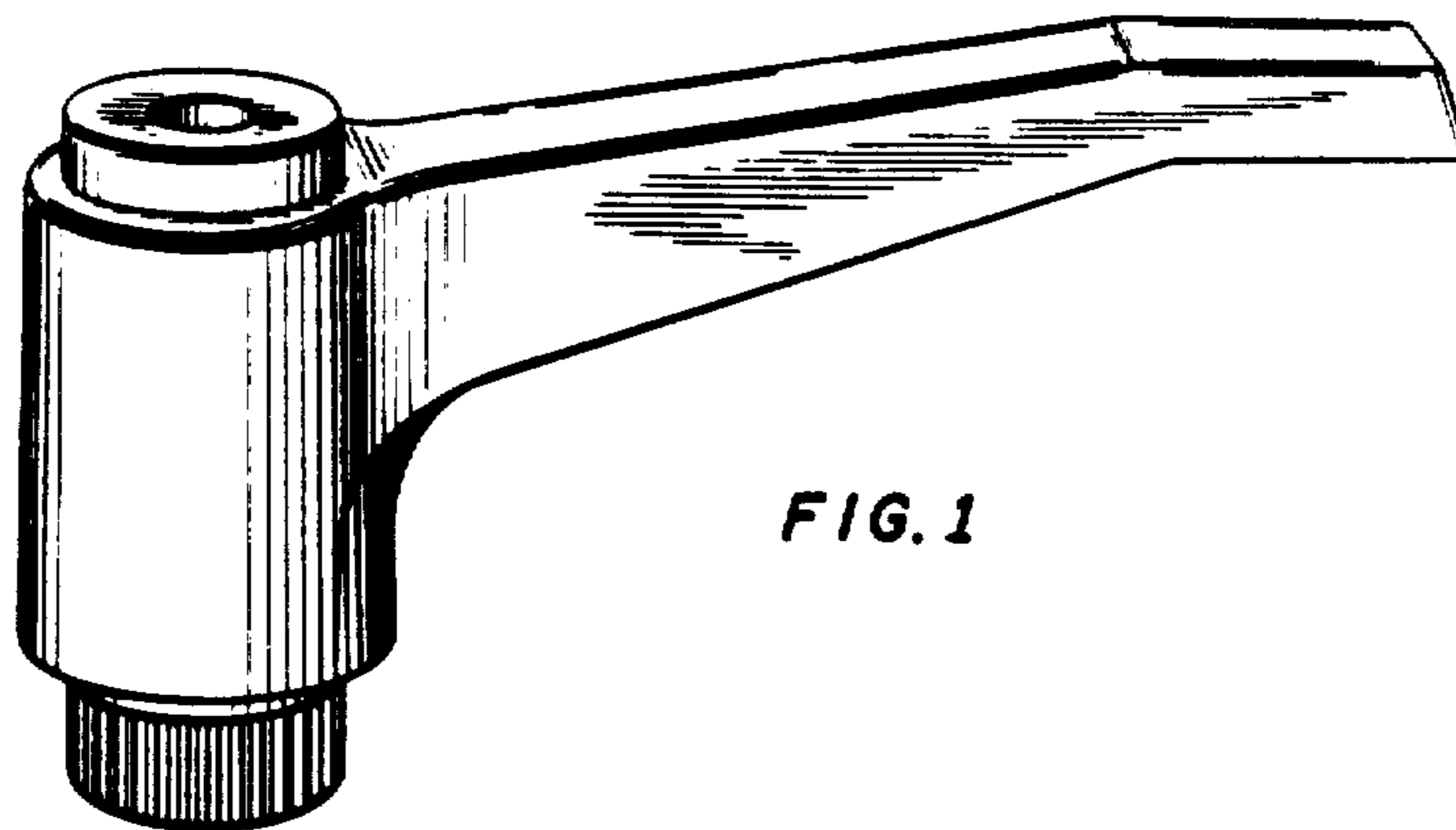


FIG. 1

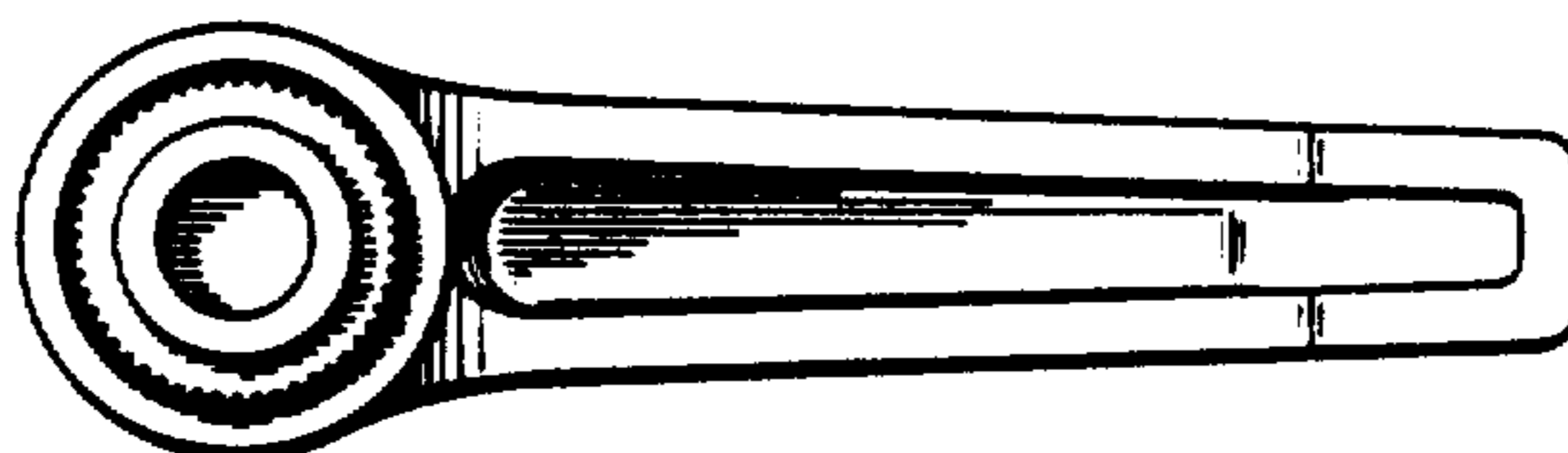


FIG. 2



FIG. 3

UNITED STATES PATENT AND TRADEMARK OFFICE
CERTIFICATE OF CORRECTION

PATENT NO. : **Des. No. 287,458**

Page 4 of 4

DATED : **December 30, 1986**

INVENTOR(S) : **Giorgio Decursu**

It is certified that error appears in the above-identified patent and that said Letters Patent is hereby corrected as shown below:



FIG. 6

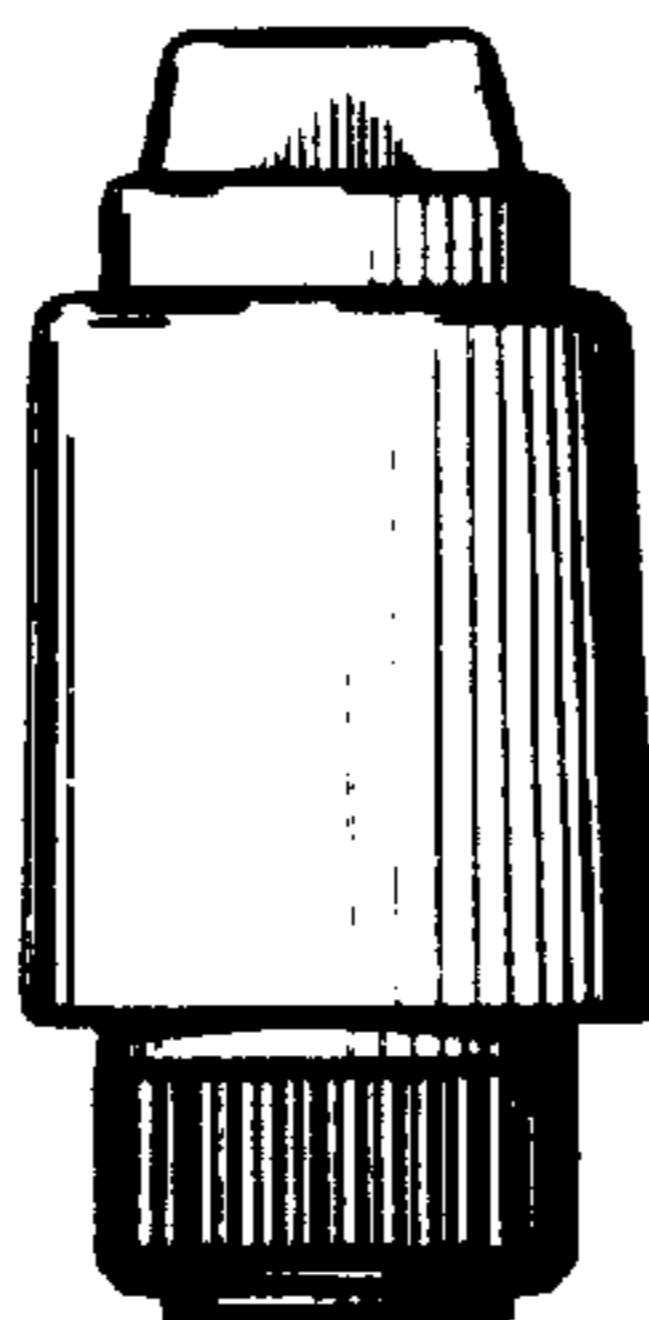


FIG. 5

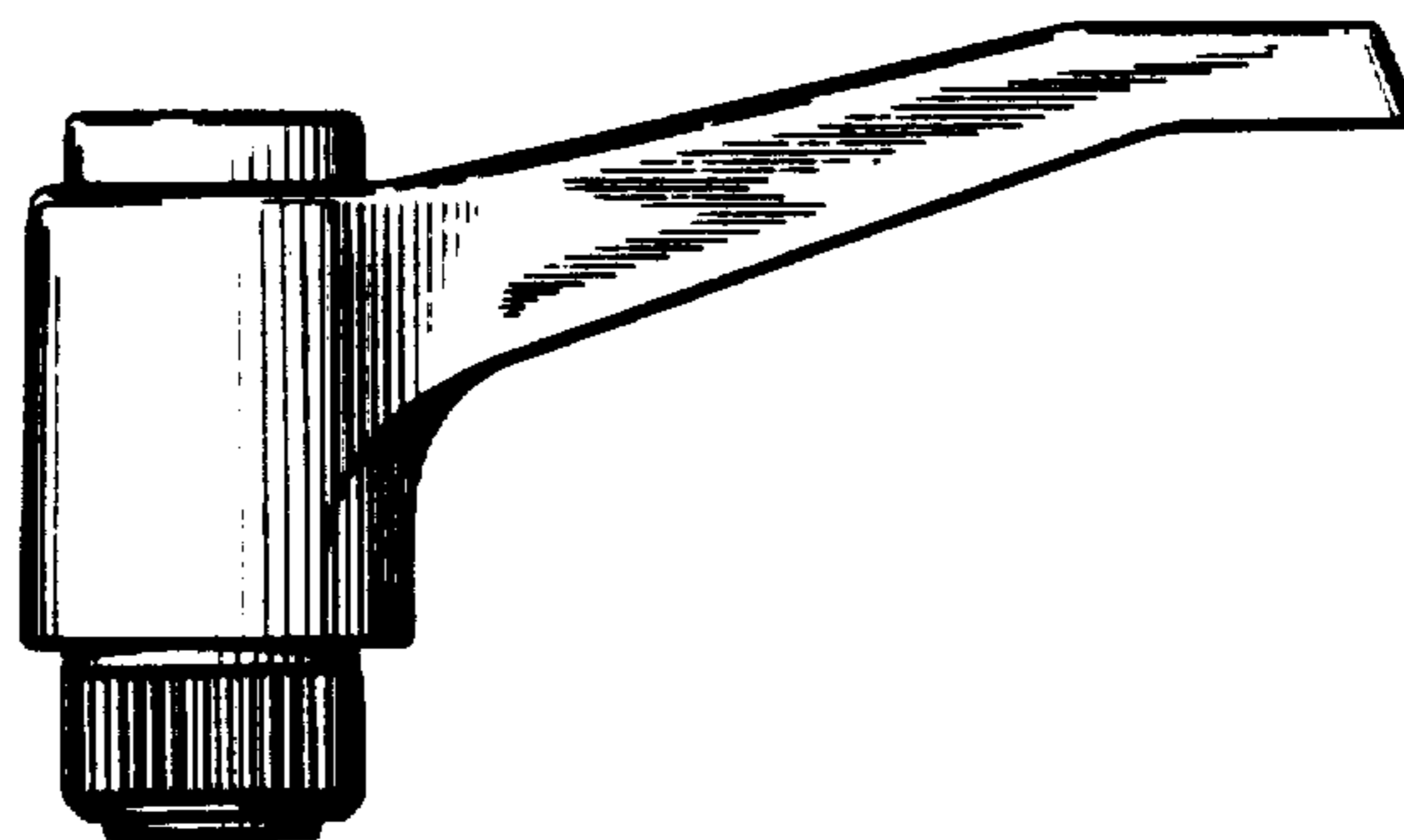


FIG. 4