

- [54] VICE
- [75] Inventor: Marinko Listes, Laval, Canada
- [73] Assignee: Monorail Industries Limited,
Montreal-Nord, Canada
- [**] Term: 14 Years
- [21] Appl. No.: 458,934
- [22] Filed: Jan. 18, 1983
- [52] U.S. Cl. D8/74
- [58] Field of Search D8/71-74,
D8/394; 269/246, 247

Primary Examiner—Susan J. Lucas
Assistant Examiner—C. E. Heflin

[57] CLAIM

The ornamental design for a vice, as shown and described.

DESCRIPTION

FIG. 1 is a front perspective view of a vice showing my new design;
 FIG. 2 is a rear perspective view thereof;
 FIG. 3 is a top plan view thereof, shown on an enlarged scale;
 FIG. 4 is a side elevational view thereof, shown on a scale greater than FIGS. 1-3;
 FIG. 5 is a front elevational view thereof, shown on the same scale as FIG. 4; and
 FIG. 6 is a rear elevational view thereof, shown on the same scale as FIG. 4.
 The bottom view of the vice is substantially flat and plain except for the central groove extending along the longitudinal axis.

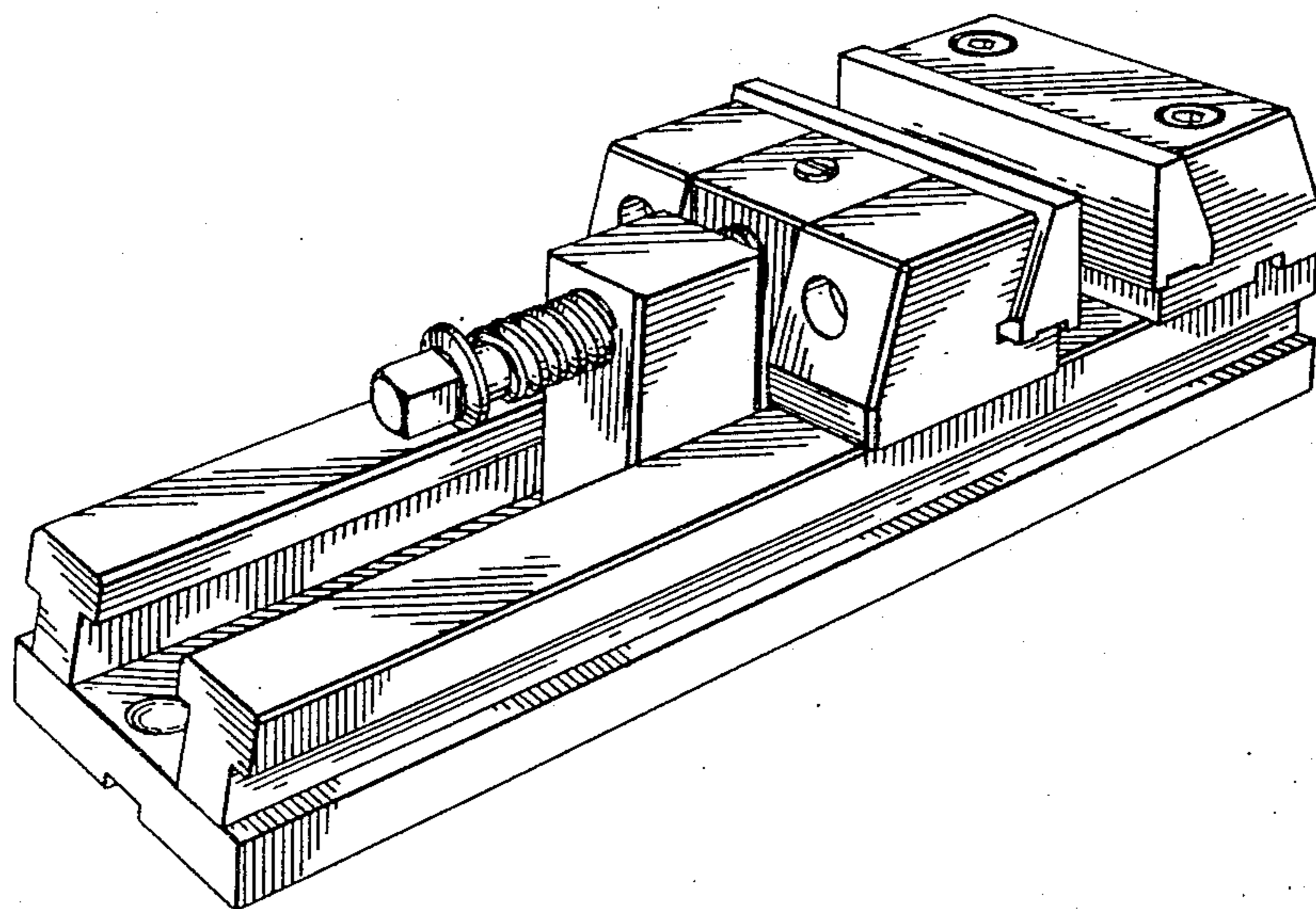
[56] References Cited

U.S. PATENT DOCUMENTS

- D. 254,376 3/1980 Glomb et al. D8/74 X
- 4,070,010 1/1978 Brasca 269/247 X

FOREIGN PATENT DOCUMENTS

- 135972 11/1902 Fed. Rep. of Germany 269/246
- 2340750 2/1975 Fed. Rep. of Germany 269/247



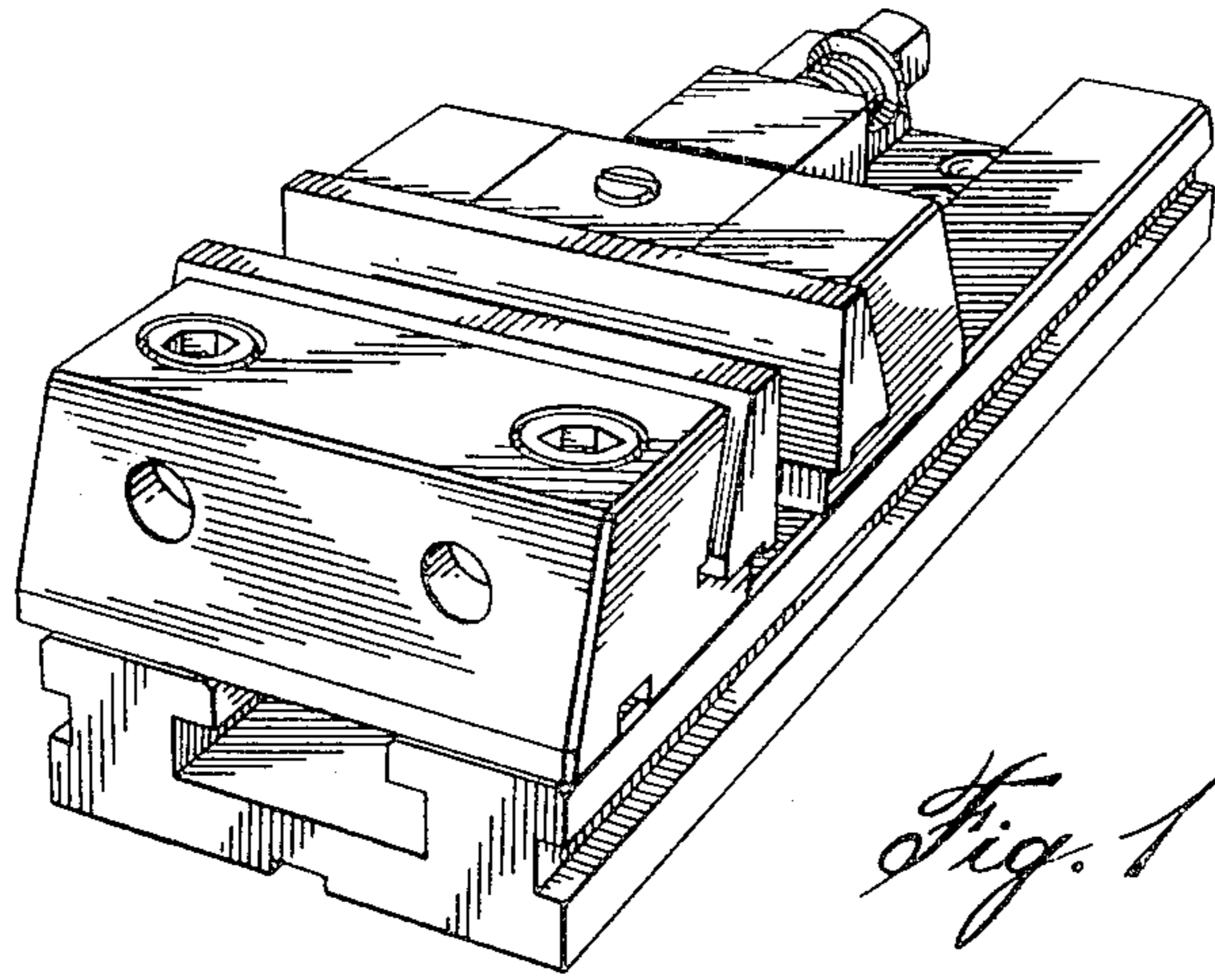


Fig. 1

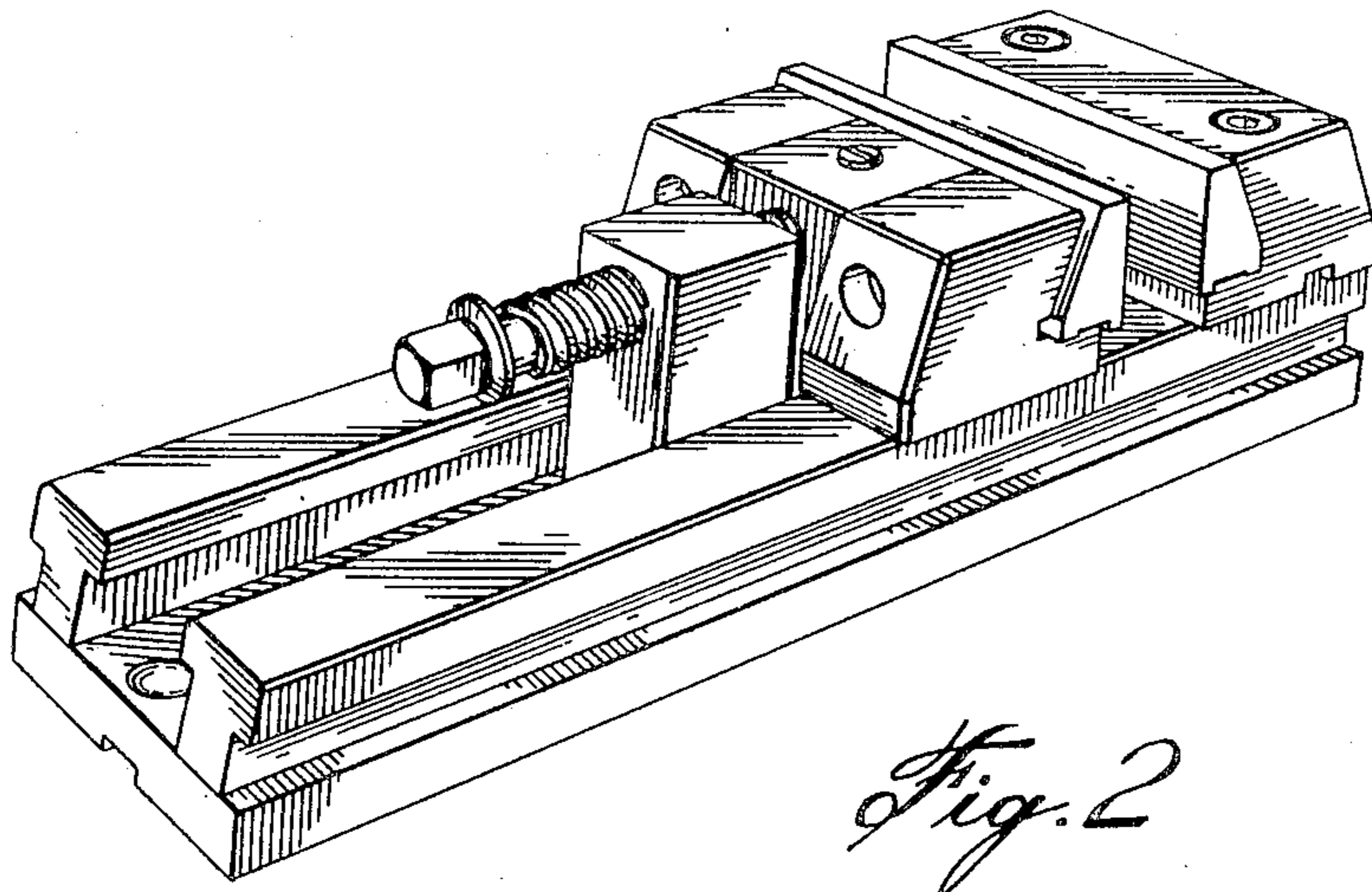


Fig. 2

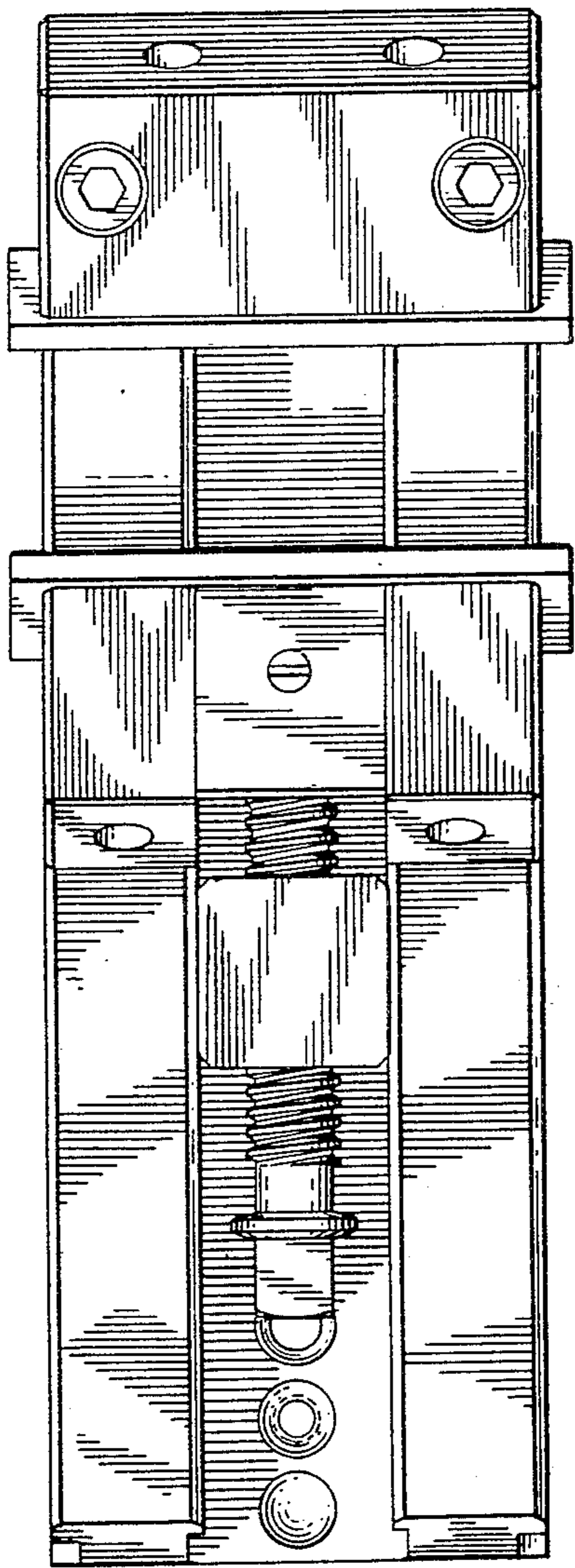


Fig. 3

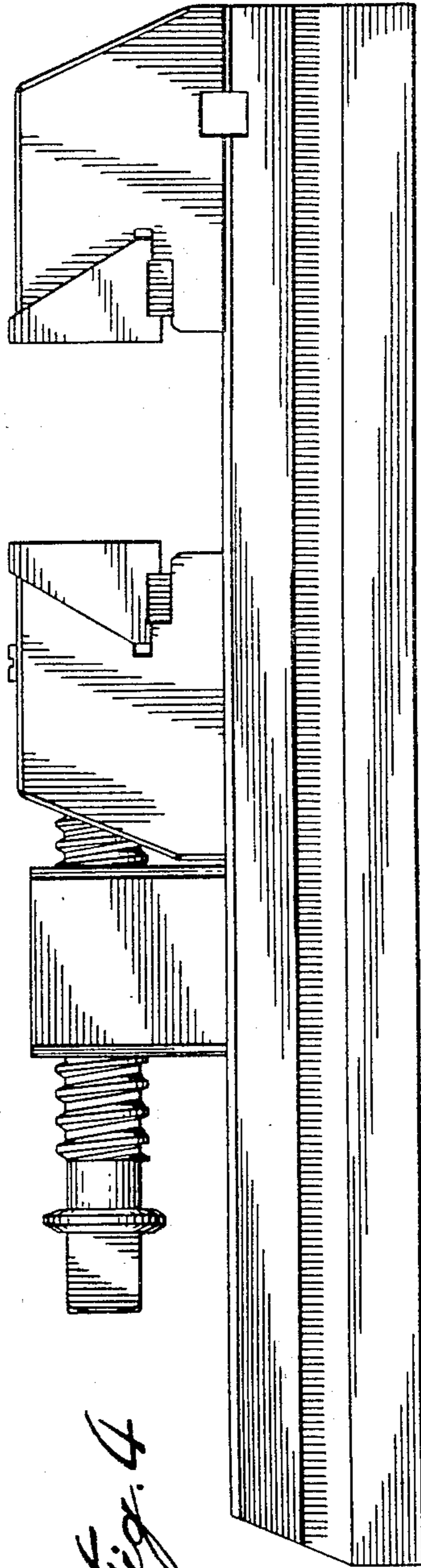


Fig. 4

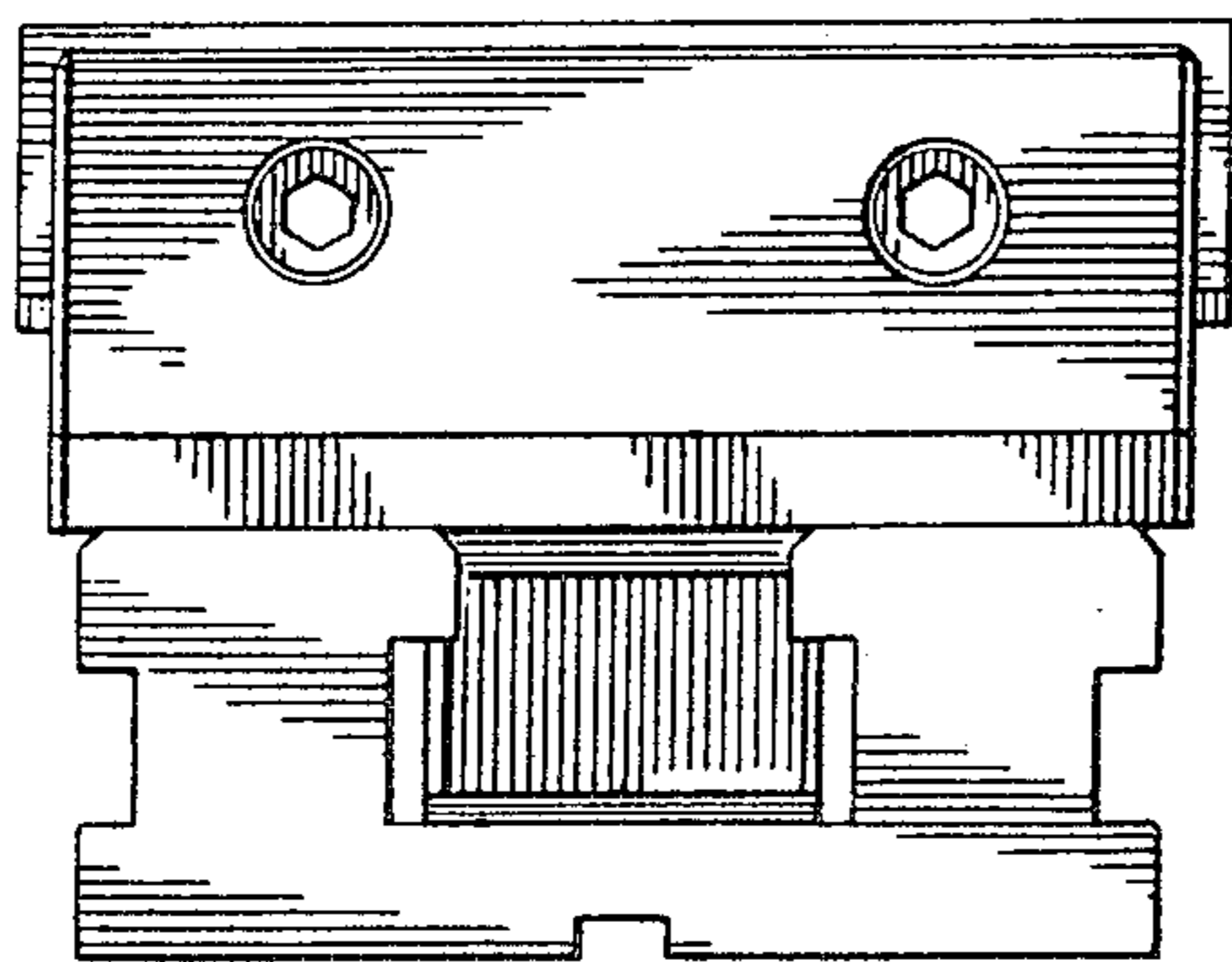


Fig. 5

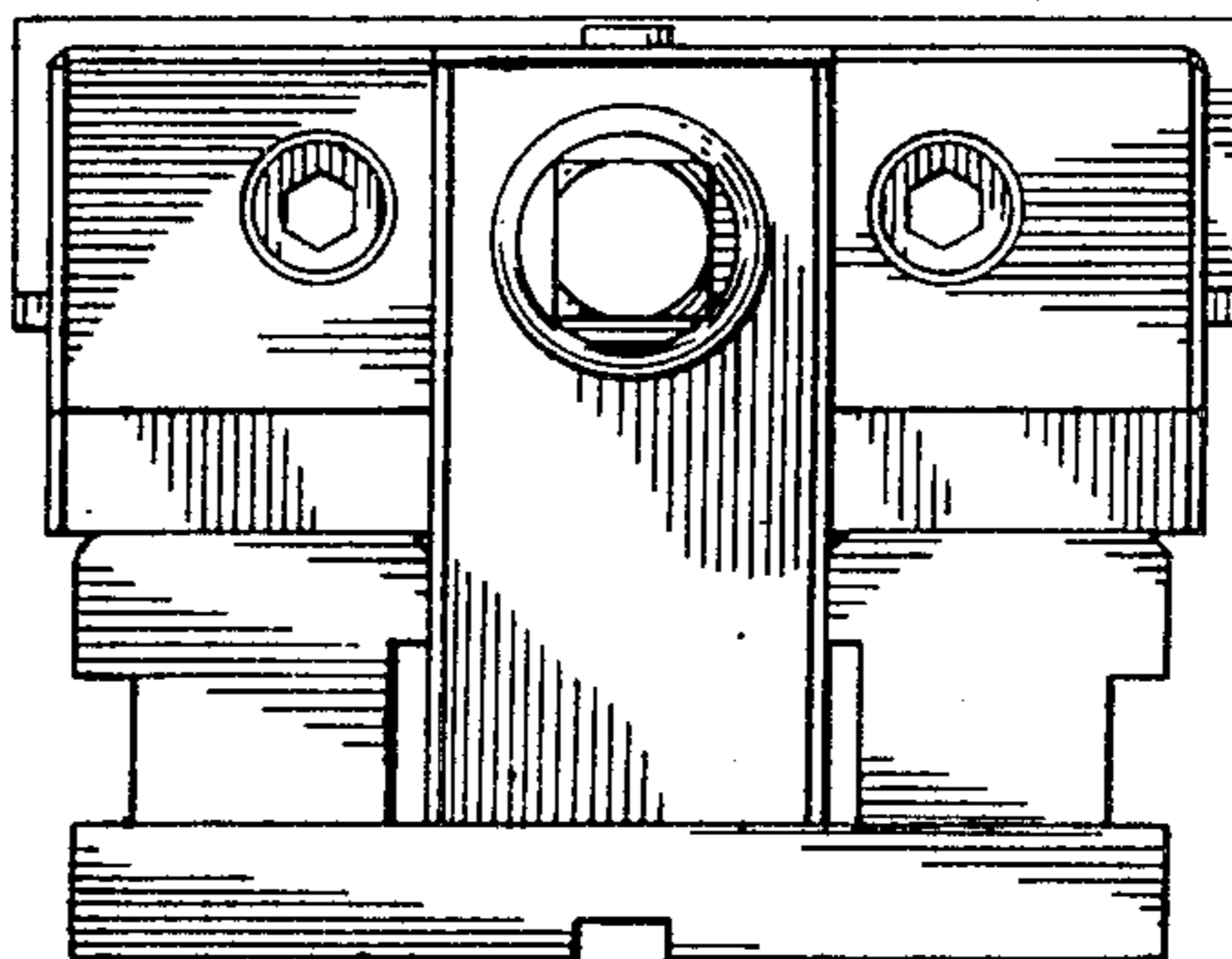


Fig. 6