

[54] HEXAGONAL INSTALLATION KEY FOR A FLOW METER

[75] Inventor: Duane M. Kobos, LaPorte, Ind.

[73] Assignee: Dwyer Instruments, Inc., Michigan City, Ind.

[**] Term: 14 Years

[21] Appl. No.: 622,482

[22] Filed: Jun. 20, 1984

[52] U.S. Cl. D8/24; D8/14; D8/40

[58] Field of Search D8/14, 17, 1, 29, 40, D8/107; 81/121.1, 3.4, 177, 176.15

[56] References Cited

U.S. PATENT DOCUMENTS

D. 161,569	1/1951	Bushman	D8/40
D. 261,854	11/1981	Nielsen	D8/40
D. 277,160	1/1985	Antone	81/3.4 X
2,592,037	4/1952	Keiser	81/121.1 X
2,702,653	2/1955	Goldenberg	D8/40 X
3,815,209	6/1974	Basile	81/176.15 X

FOREIGN PATENT DOCUMENTS

134939 11/1919 United Kingdom D8/40 X

Primary Examiner—Susan J. Lucas

Assistant Examiner—C. E. Heflin

Attorney, Agent, or Firm—Mann, McWilliams, Zimmer & Sweeney

[57] CLAIM

The ornamental design for hexagonal installation key for a flow meter, substantially as shown and described.

DESCRIPTION

FIG. 1 is a top and one side perspective view of the hexagonal installation key for a flow meter showing my new design;

FIG. 2 is a bottom perspective view thereof;

FIG. 3 is a top plan view thereof;

FIG. 4 is a bottom plan view thereof;

FIG. 5 is a side elevational view thereof;

FIG. 6 is an end elevational view thereof as viewed from either the left or right of FIG. 3;

FIG. 7 is a top and opposite side perspective view thereof;

FIG. 8 is a bottom perspective view thereof taken from the same side as FIG. 7.

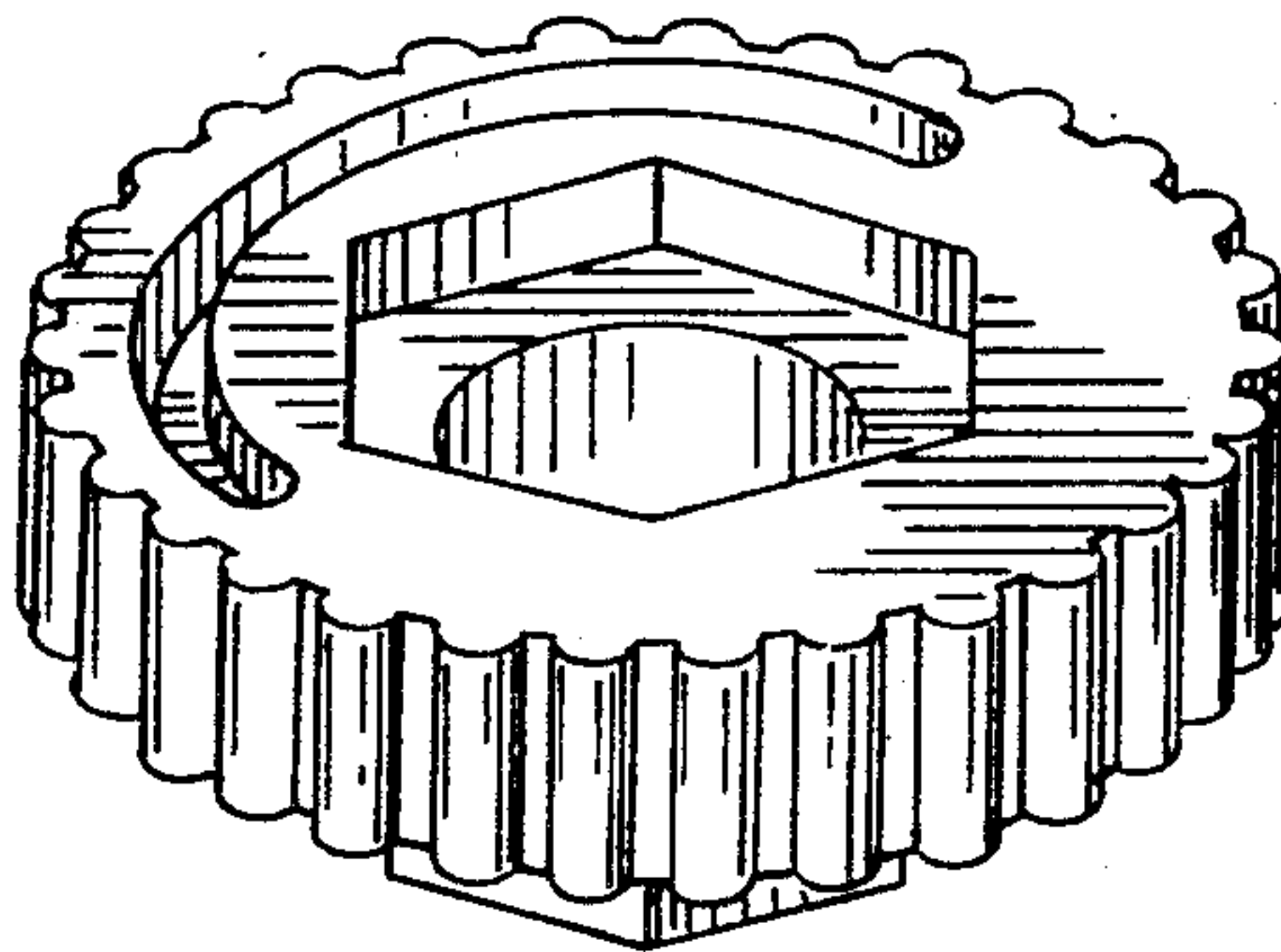


FIG. 1

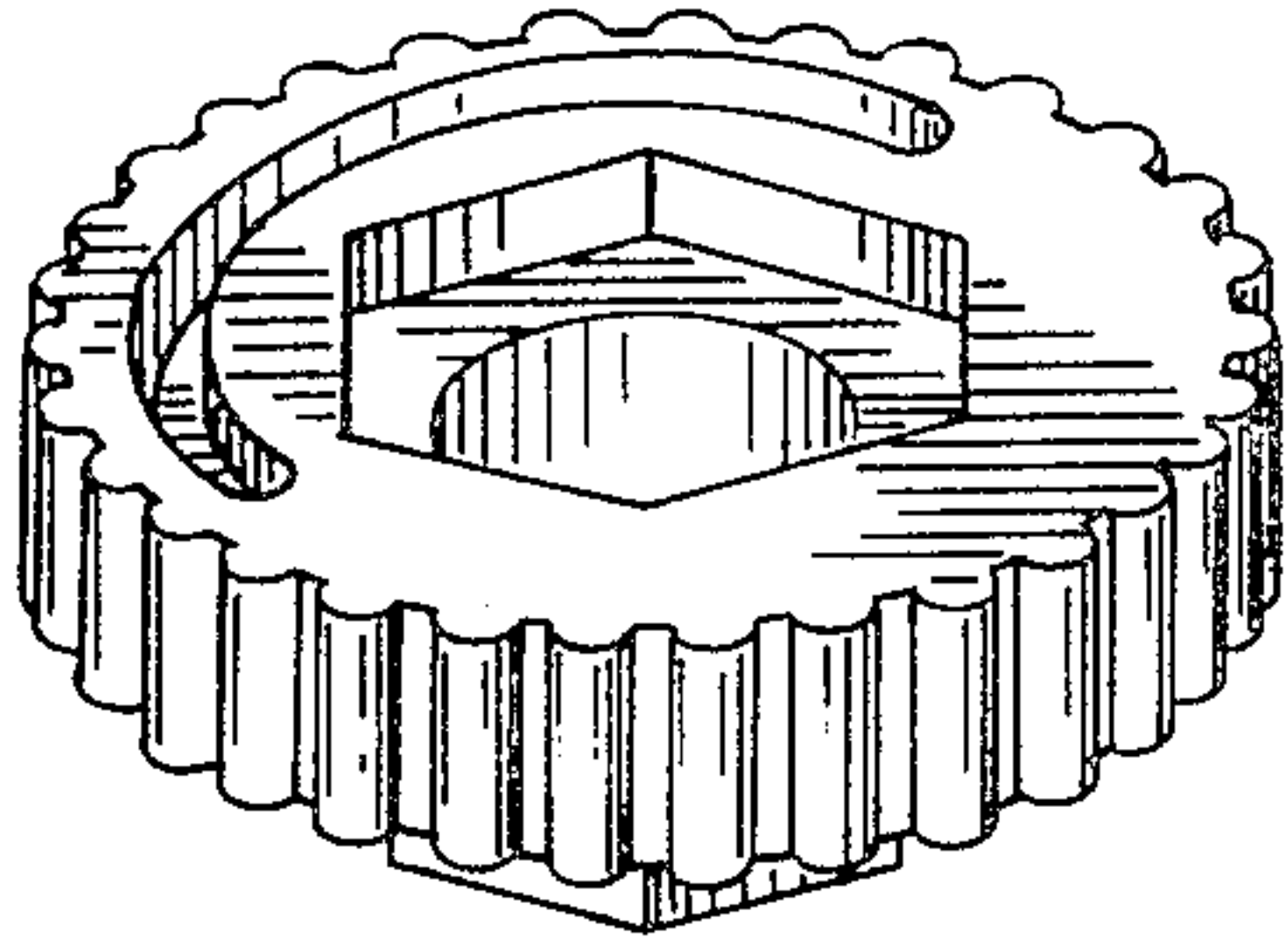


FIG. 2

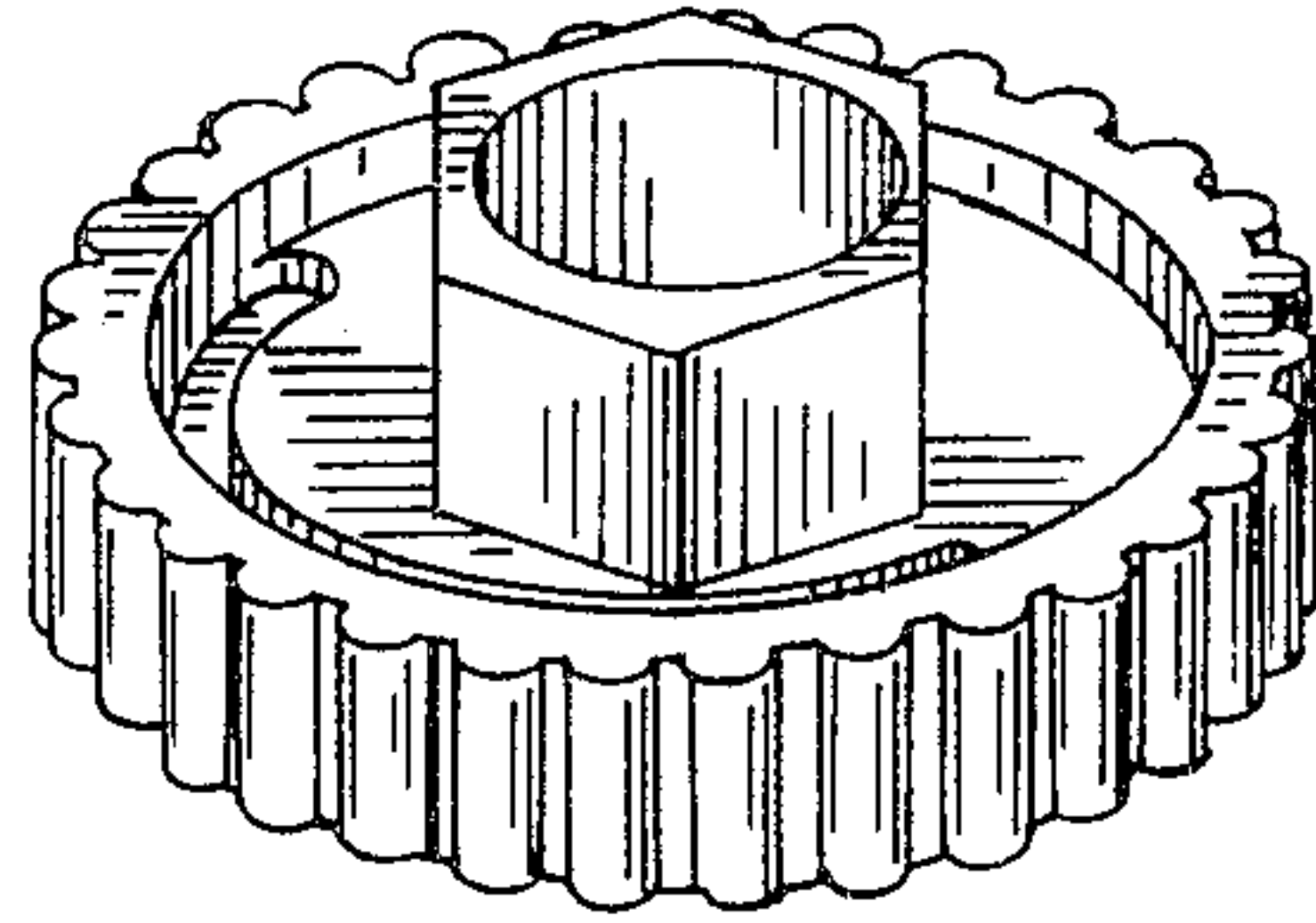


FIG. 3

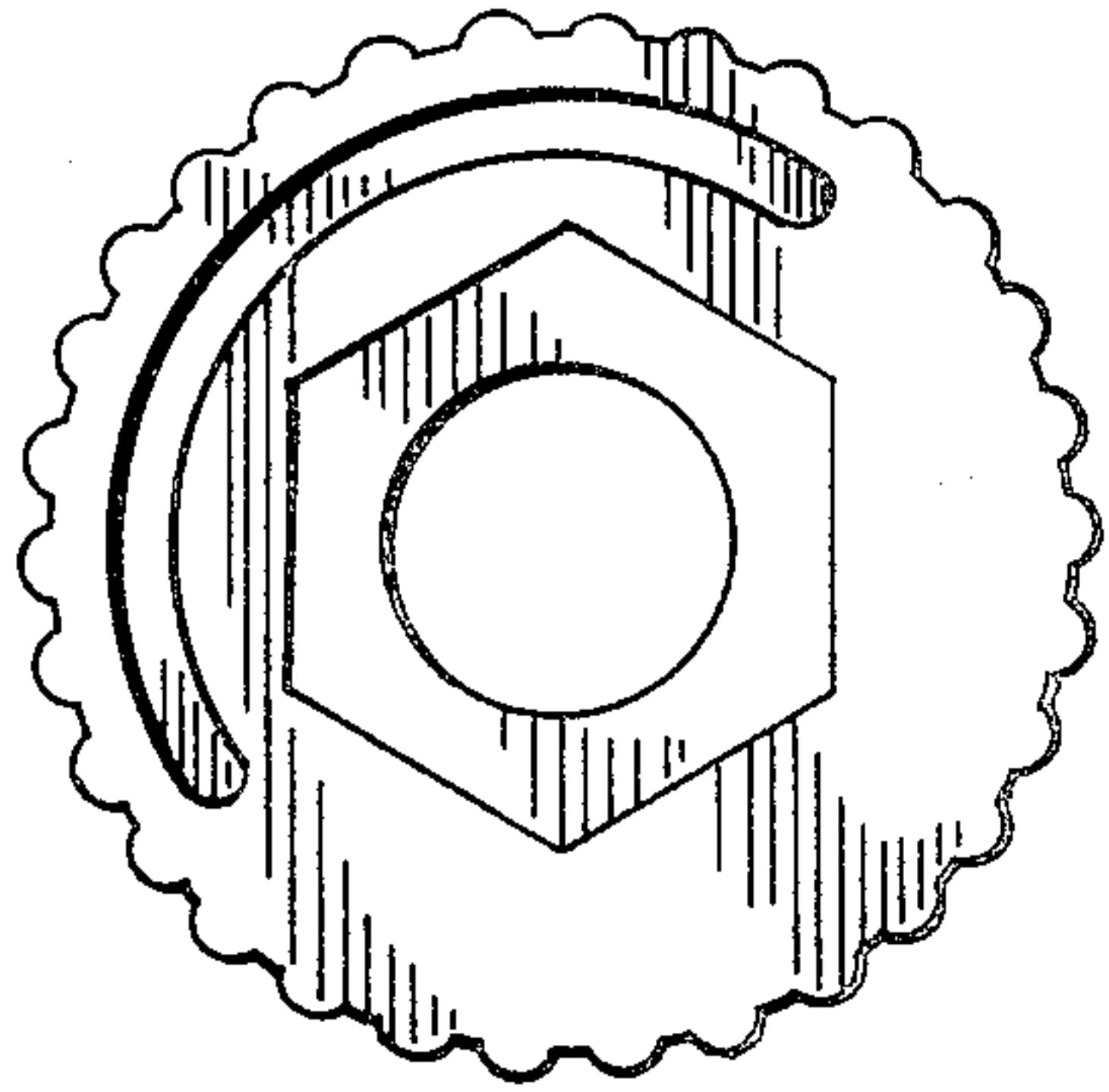


FIG. 4

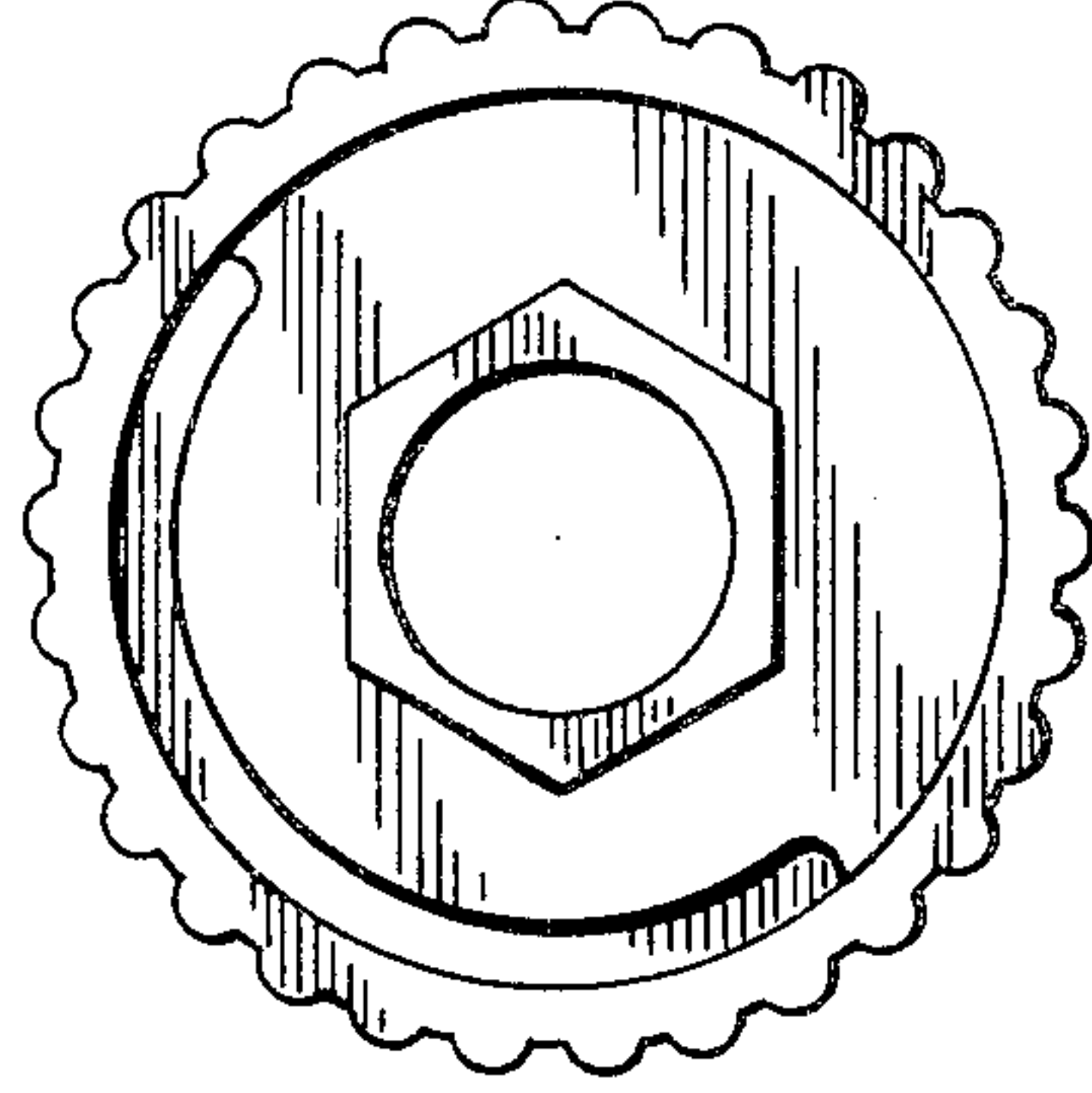


FIG. 5



FIG. 6



FIG. 7.

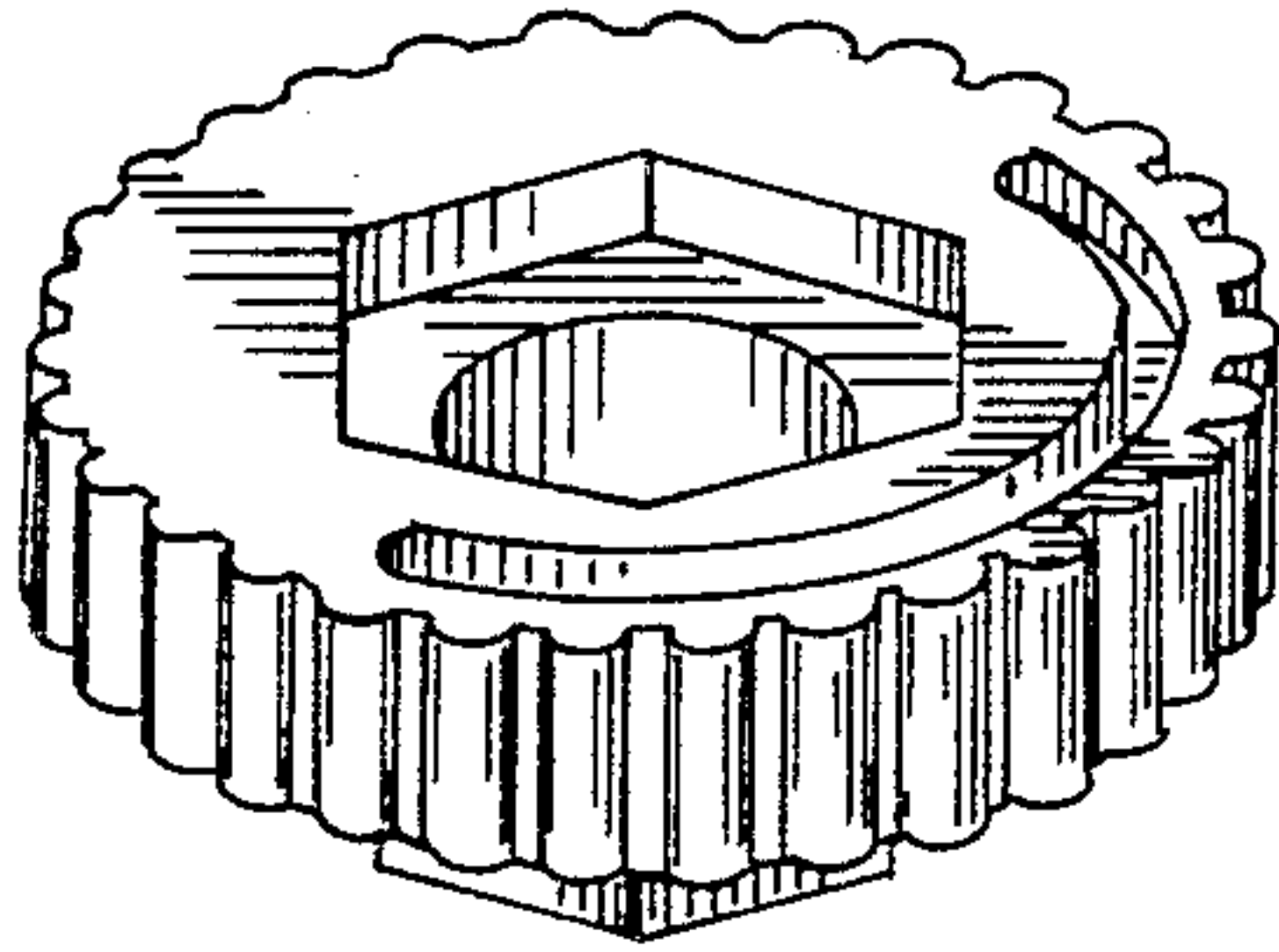


FIG. 8.

