

[54] SOAP TAPE DISPENSER

[75] Inventor: Byung E. Yoo, Daegu, Rep. of Korea

[73] Assignee: Sam Woo Trading Co., Ltd., Kimpo, Rep. of Korea

[**] Term: 14 Years

[21] Appl. No.: 679,689

[22] Filed: Dec. 10, 1984

[30] Foreign Application Priority Data

Jul. 16, 1984 [KR] Rep. of Korea 84-8361
[52] U.S. Cl. D6/542
[58] Field of Search D6/512, 524, 542, 545;
221/64, 65, 282, 283, 32, 155

[56] References Cited

U.S. PATENT DOCUMENTS

D. 271,921 12/1983 Yoo D6/542
4,132,329 1/1979 Harrison 221/155
4,134,519 1/1979 Barnett et al. 221/155
4,566,607 1/1986 Smith 221/155

OTHER PUBLICATIONS

Sweet's Arch. Catalog File, vol. 9, 1975, Section 10.16-WAS, p. 27, Recessed Soap Leaf Dispenser, located in the upper right corner—#810-W.

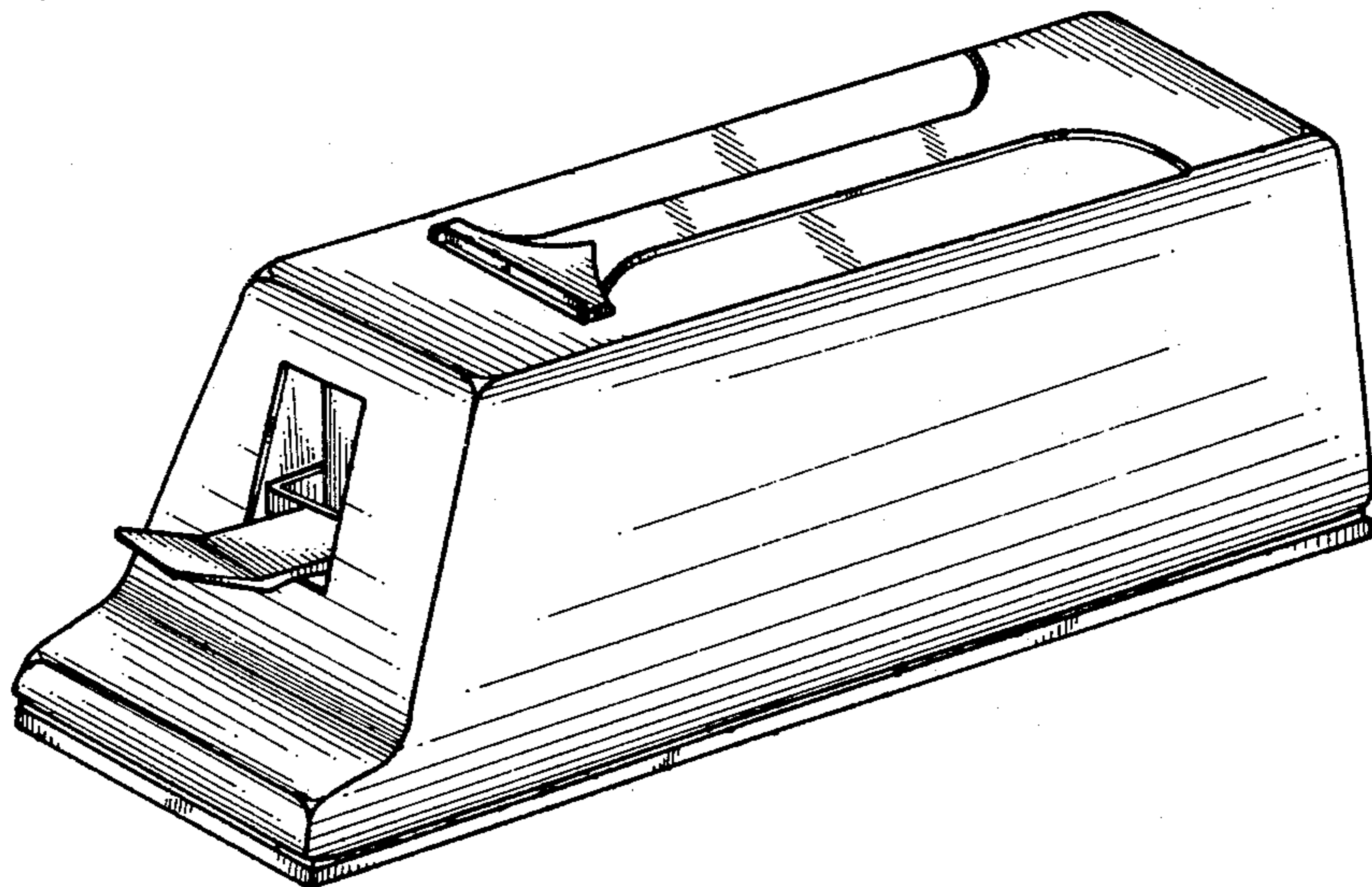
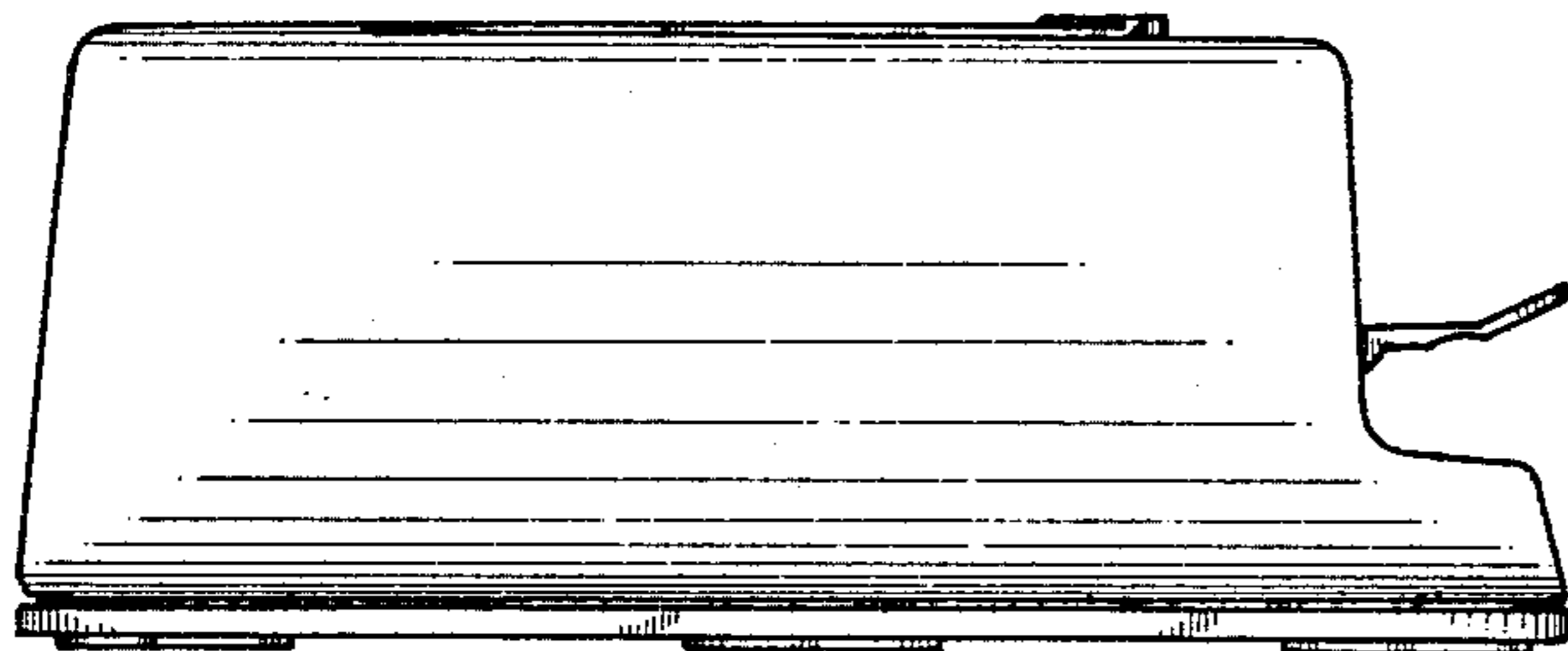
Primary Examiner—Wallace R. Burke
Assistant Examiner—Suzanne N. Gitlin
Attorney, Agent, or Firm—Finnegan, Henderson, Farabow, Garrett & Dunner

[57] CLAIM

The ornamental design for a soap tape dispenser, substantially as shown and described.

DESCRIPTION

FIG. 1 is a perspective view of a soap tape dispenser showing my new design;
FIG. 2 is a top plan view thereof;
FIG. 3 is a bottom plan view thereof;
FIG. 4 is an end elevational view taken from the left of FIG. 1;
FIG. 5 is an end elevational view taken from the right of FIG. 1;
FIG. 6 is a side elevational view taken from the left of FIG. 1.



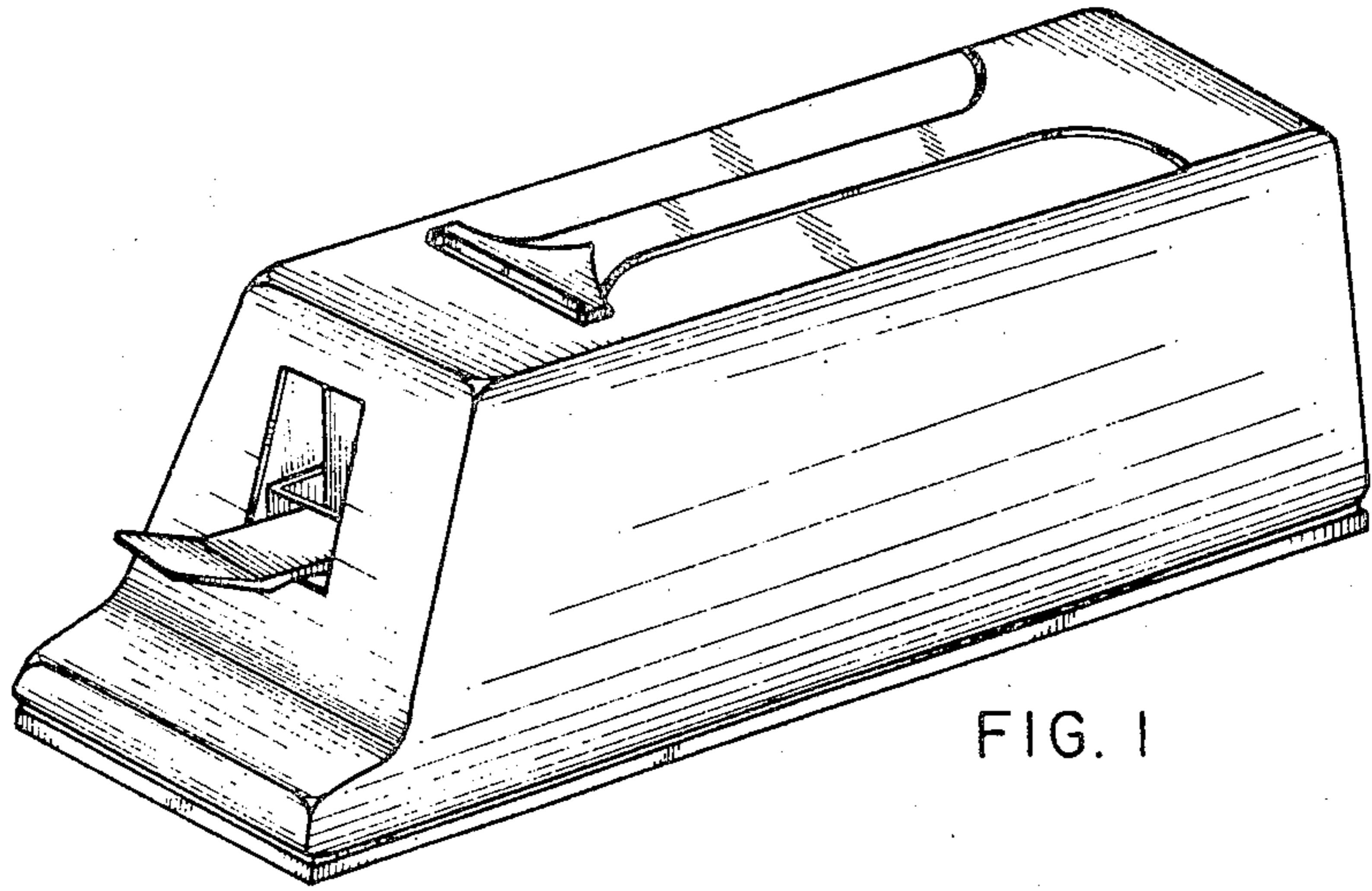


FIG. 1

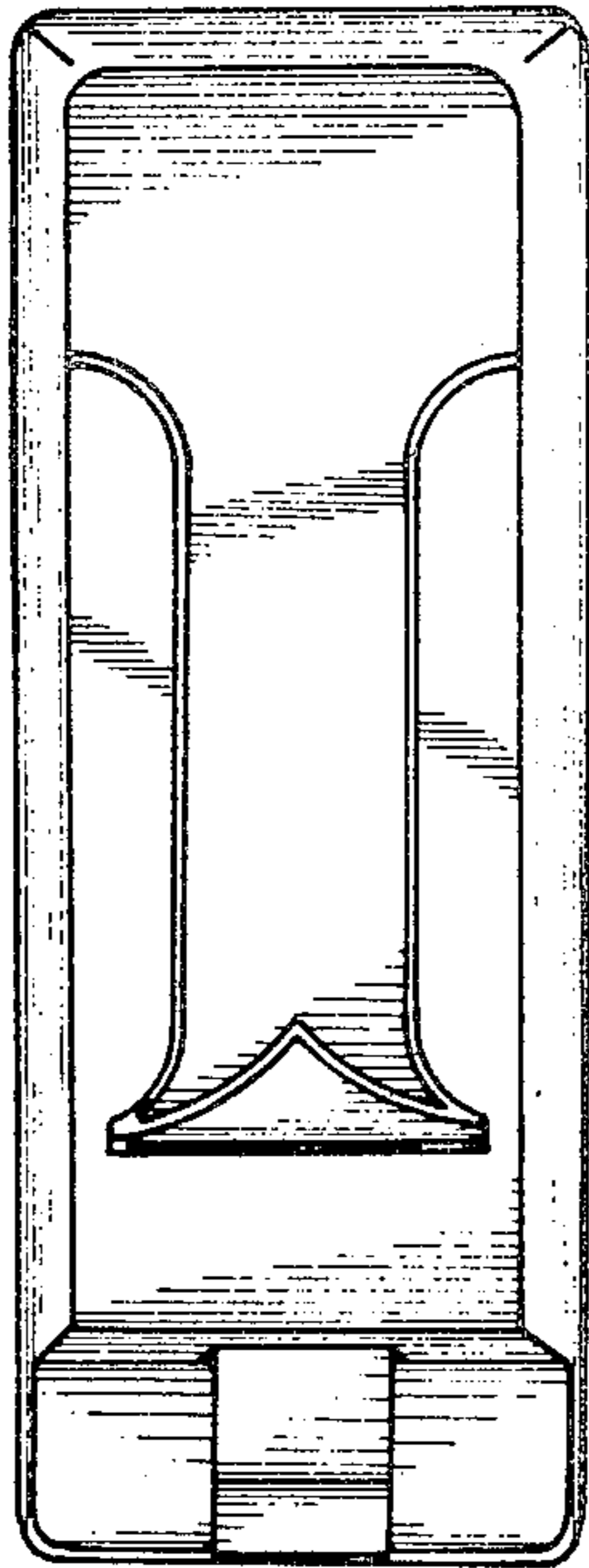


FIG. 2

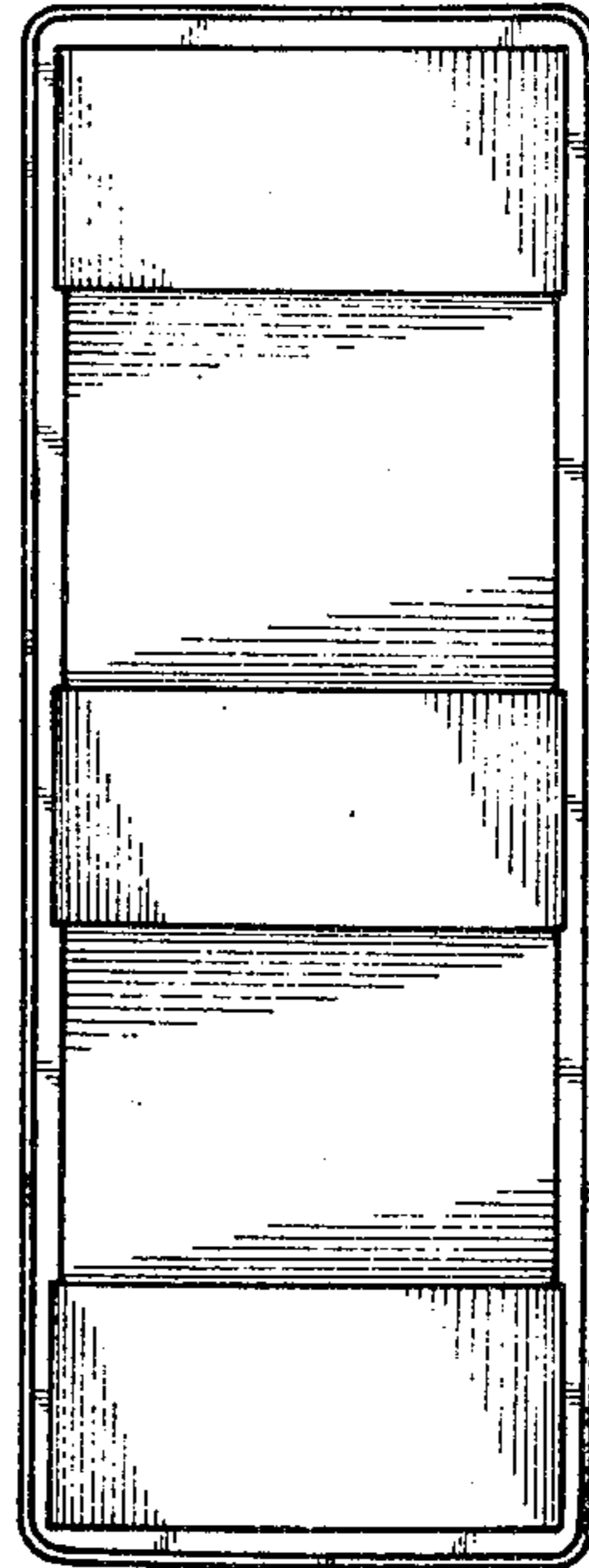


FIG. 3

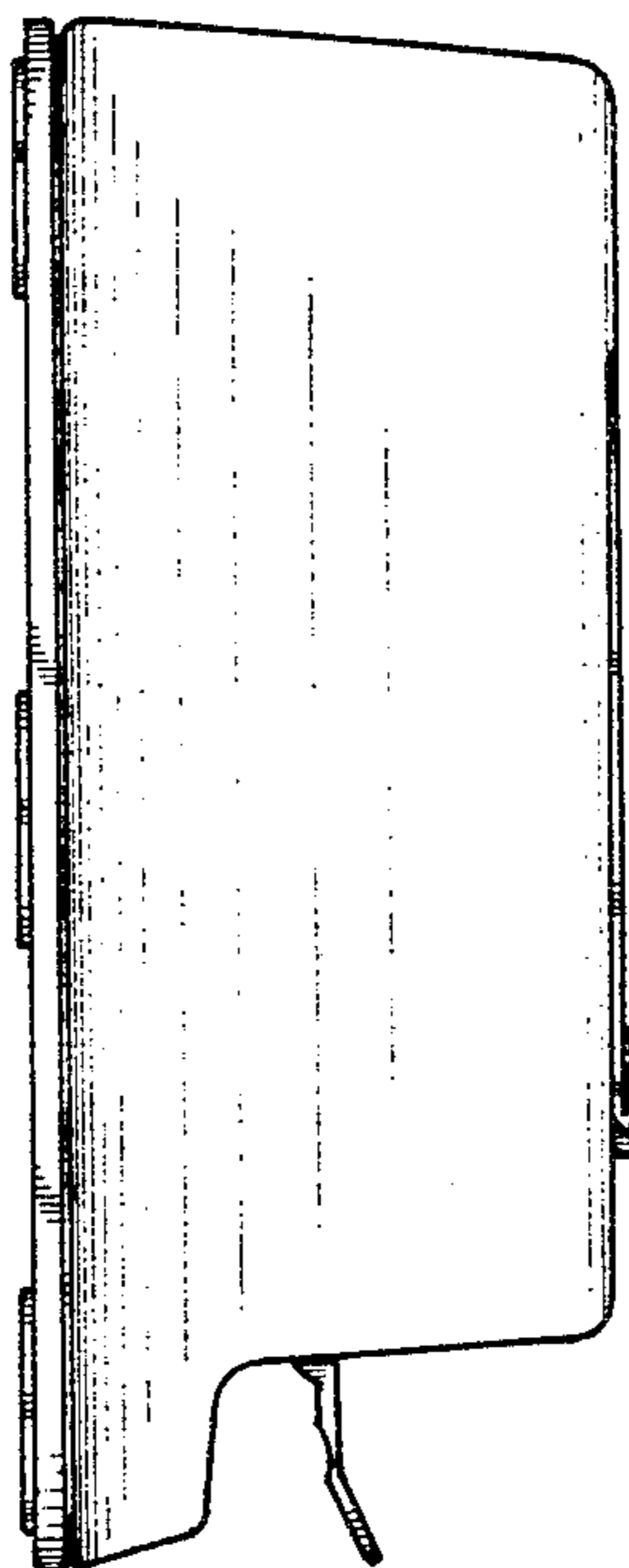


FIG. 6

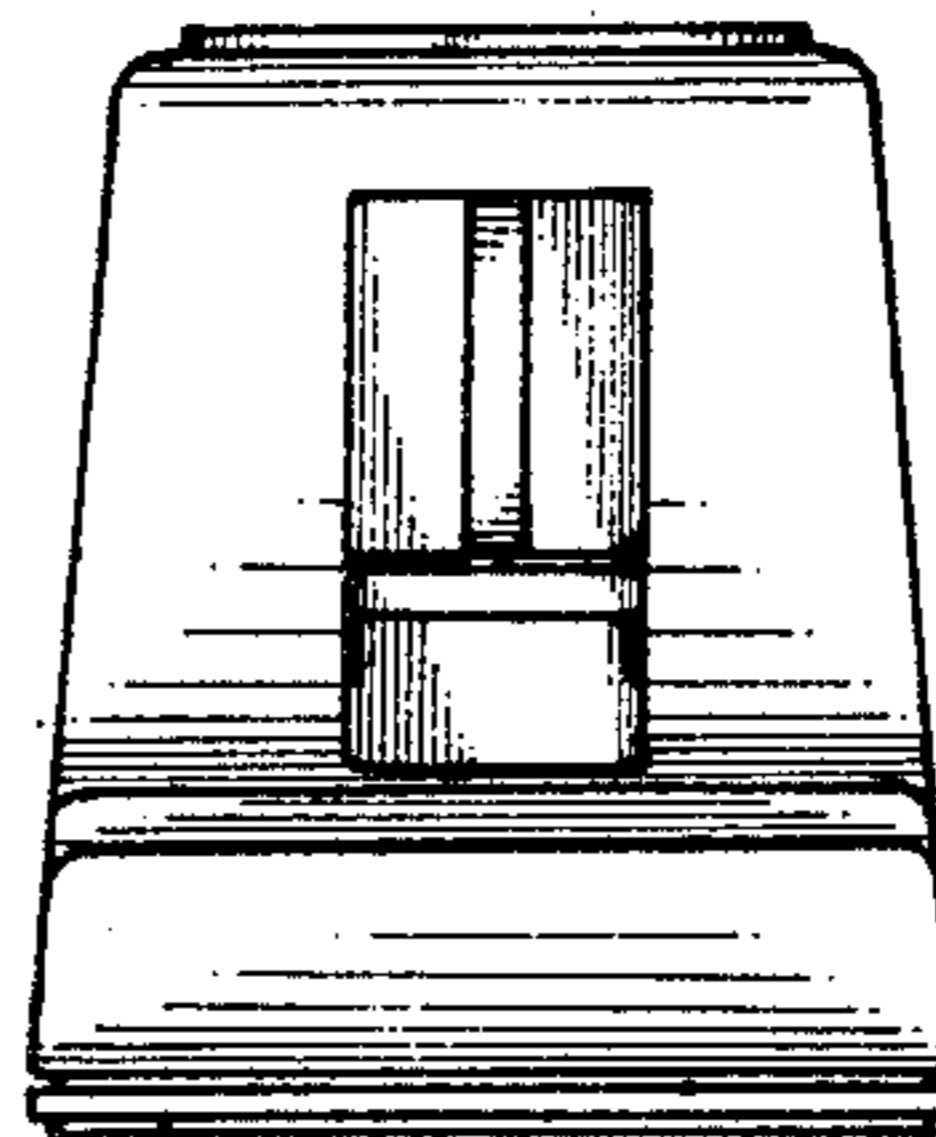


FIG. 4

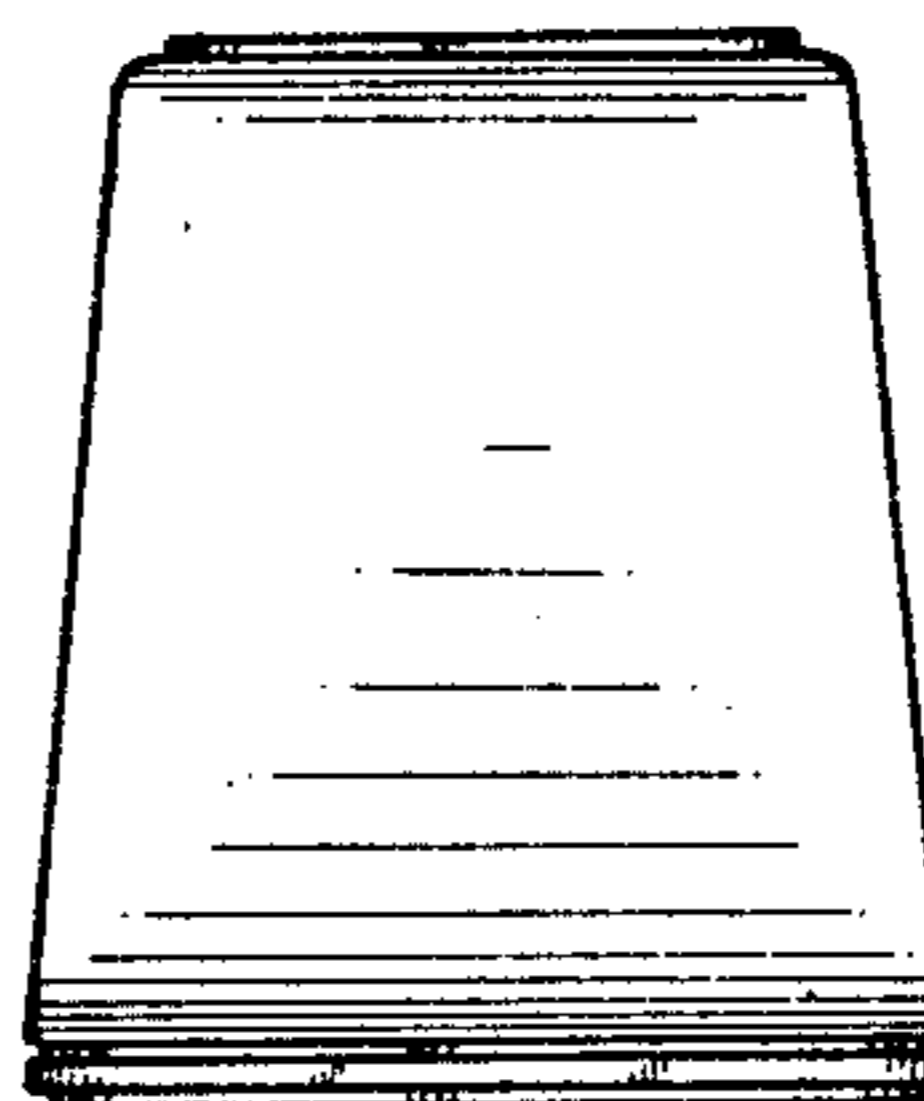


FIG. 5