

[54] ROTATABLE STORAGE UNIT

[76] Inventor: Howard Sussman, 3101 NW. 25th Ave., Pompano Beach, Fla. 33060

[\*\*] Term: 14 Years

[21] Appl. No.: 642,349

[22] Filed: Aug. 20, 1984

[52] U.S. Cl. .... D6/456

[58] Field of Search ..... D6/449, 455, 456, 457; 211/131, 164; D19/75

[56] References Cited

U.S. PATENT DOCUMENTS

D. 134,674	12/1942	Botham	.....	D6/456
D. 252,970	9/1979	Gutkin	.....	D6/456
D. 264,604	5/1982	Sussman	.....	D19/75
253,290	2/1882	Hunter	.....	211/131
2,075,051	3/1937	Parr	.....	211/131

FOREIGN PATENT DOCUMENTS

844400	7/1952	Fed. Rep. of Germany	.....	211/78
94008	3/1960	Netherlands	.....	211/131

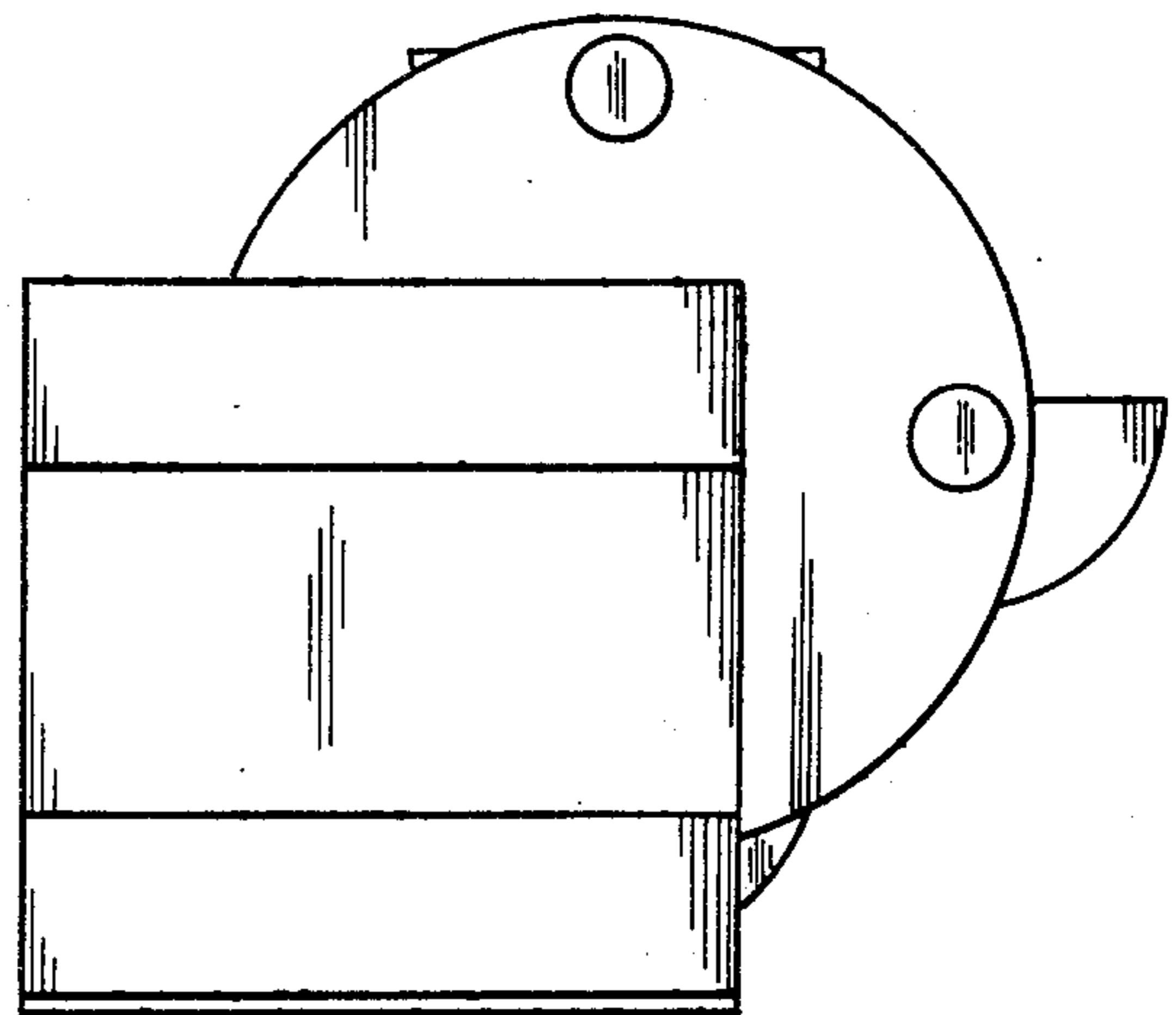
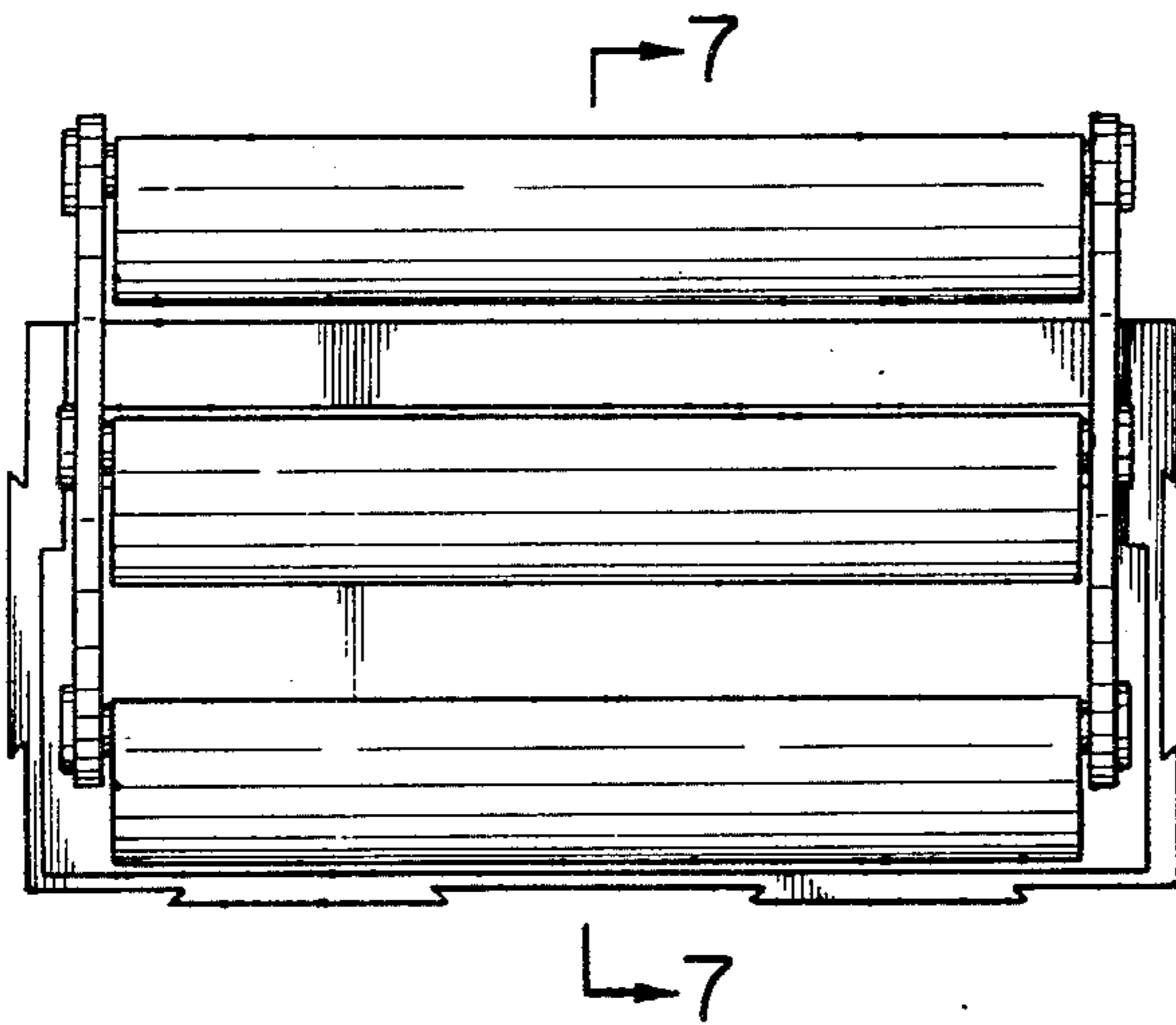
Primary Examiner—Carmen H. Vales  
Attorney, Agent, or Firm—Bauer & Amer

[57] CLAIM

The ornamental design for a rotatable storage unit, as shown and described.

DESCRIPTION

FIG. 1 is a top plan view of a rotatable storage unit showing my new design;  
FIG. 2 is a front elevational view thereof;  
FIG. 3 is a rear elevational view thereof;  
FIG. 4 is a bottom plan view thereof;  
FIG. 5 is a left side elevational view thereof;  
FIG. 6 is a right side elevational view thereof; and  
FIG. 7 is a sectional view thereof taken along line 7—7 of FIG. 2.



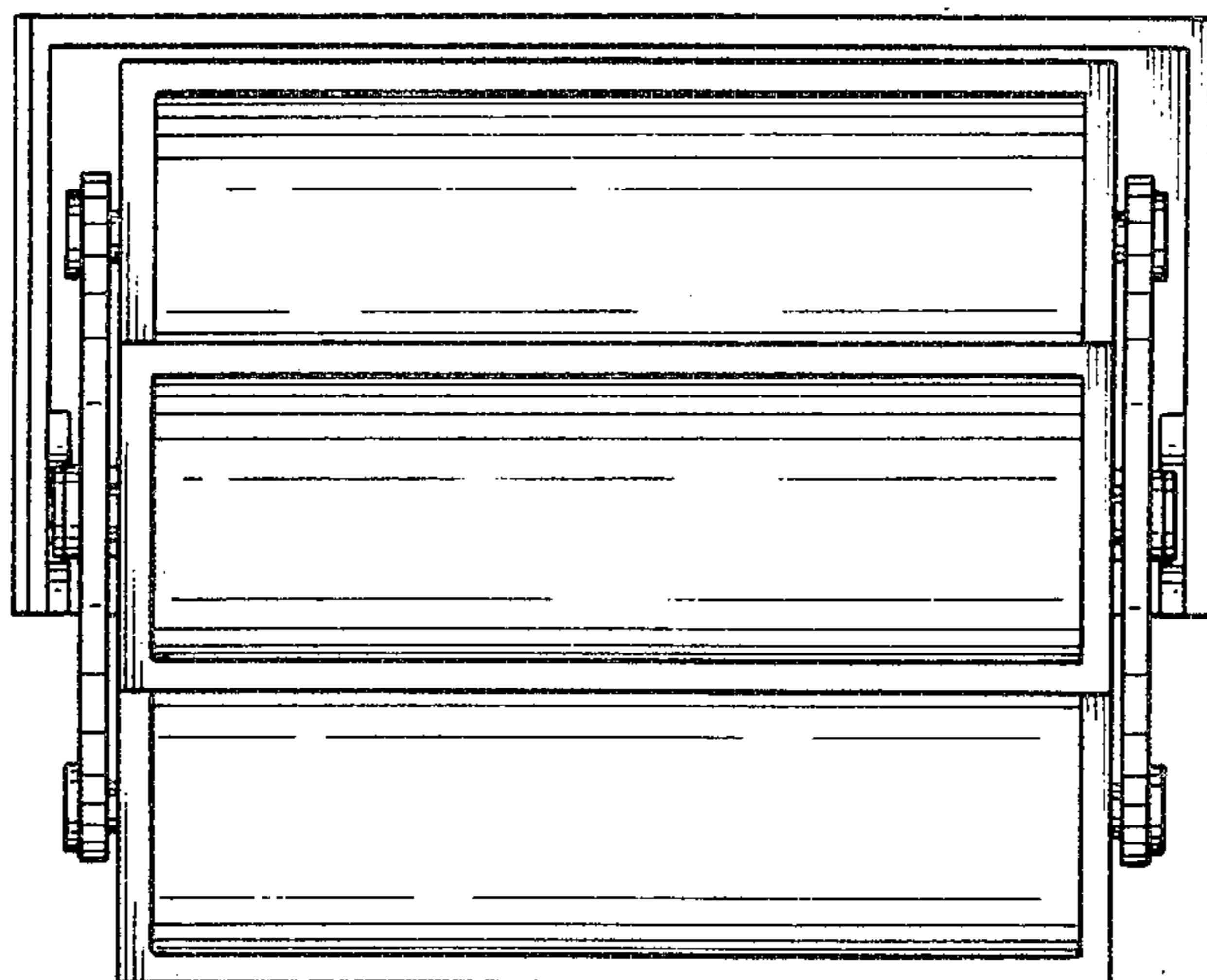


FIG. 1

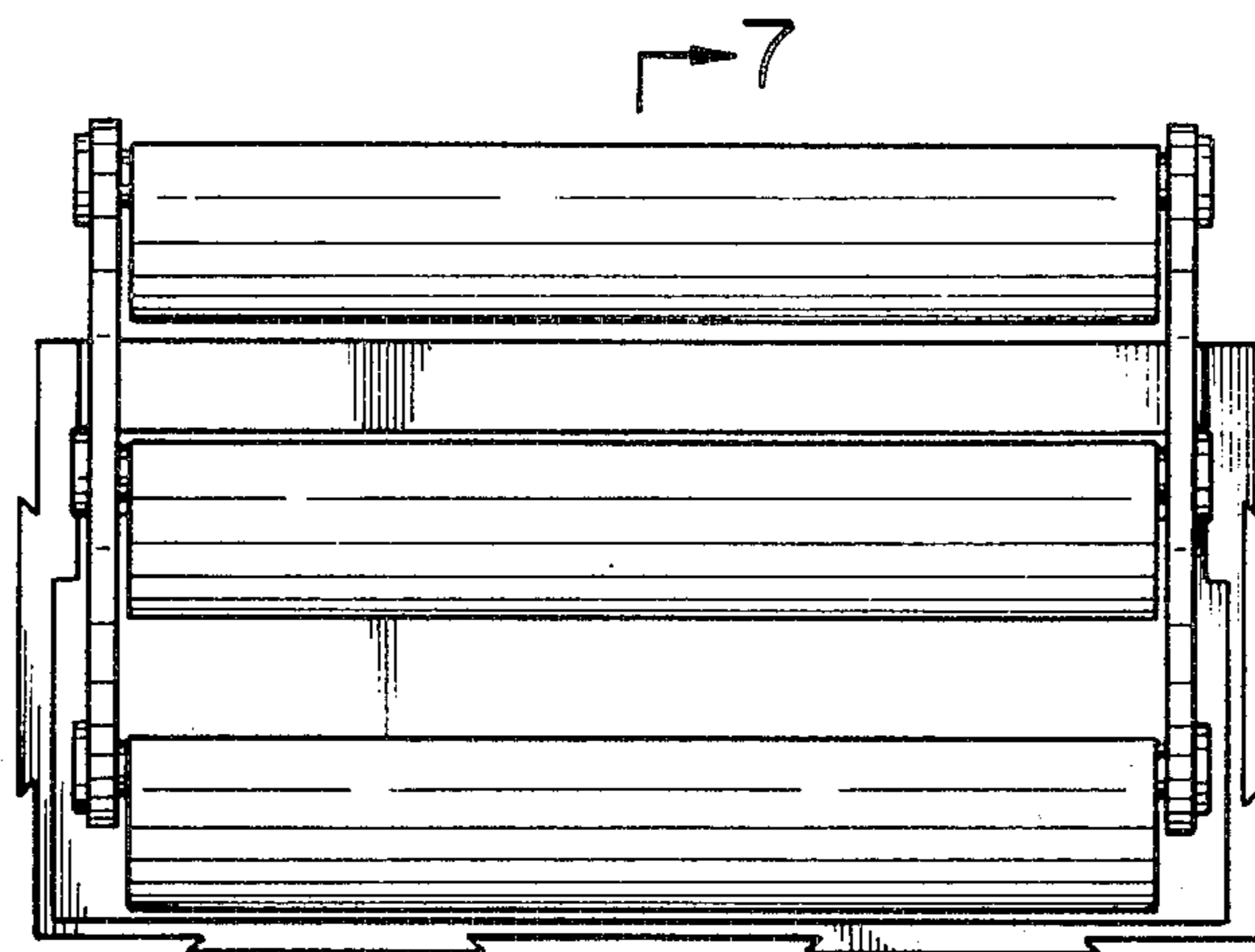


FIG. 2

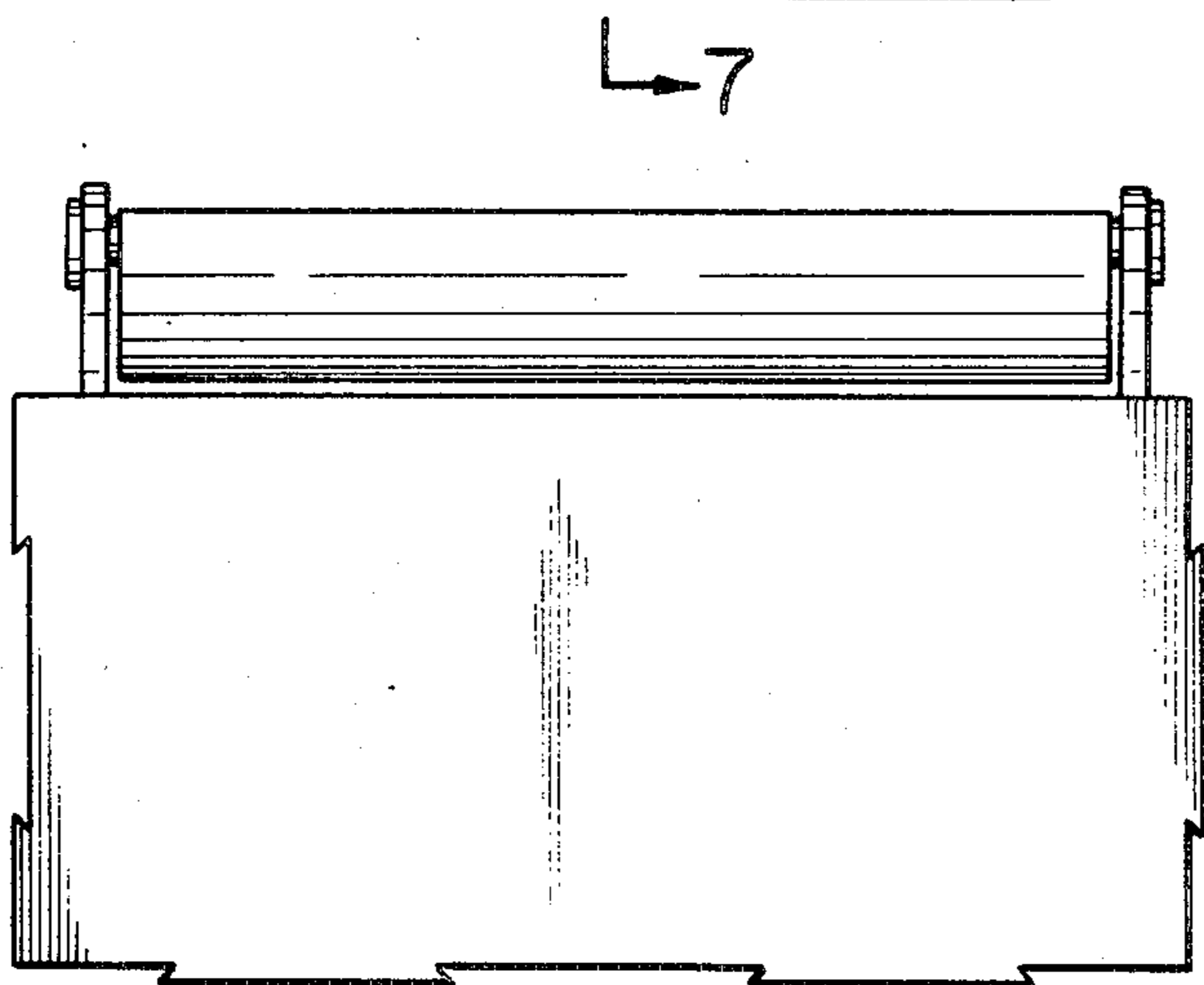


FIG. 3

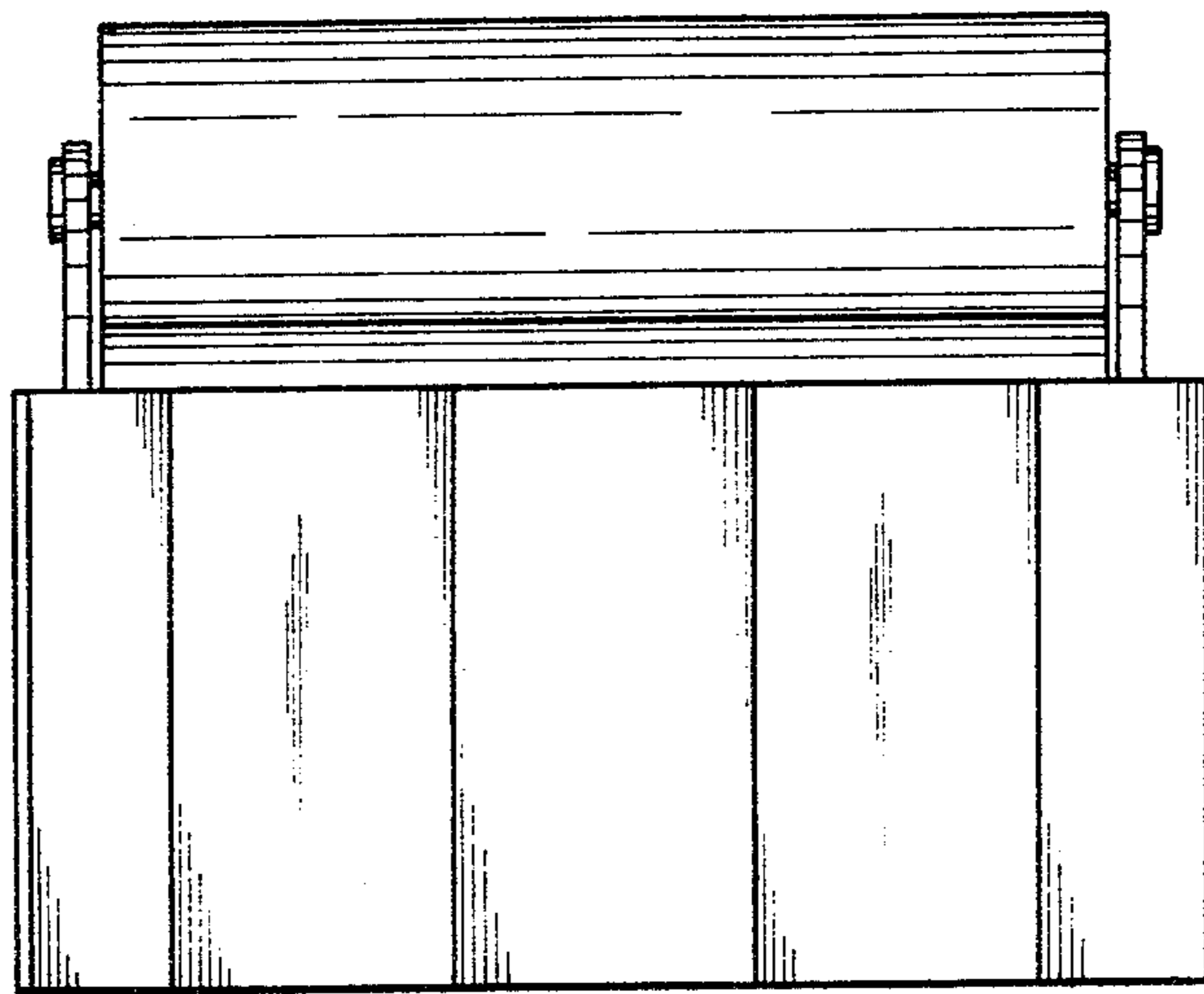


FIG. 4

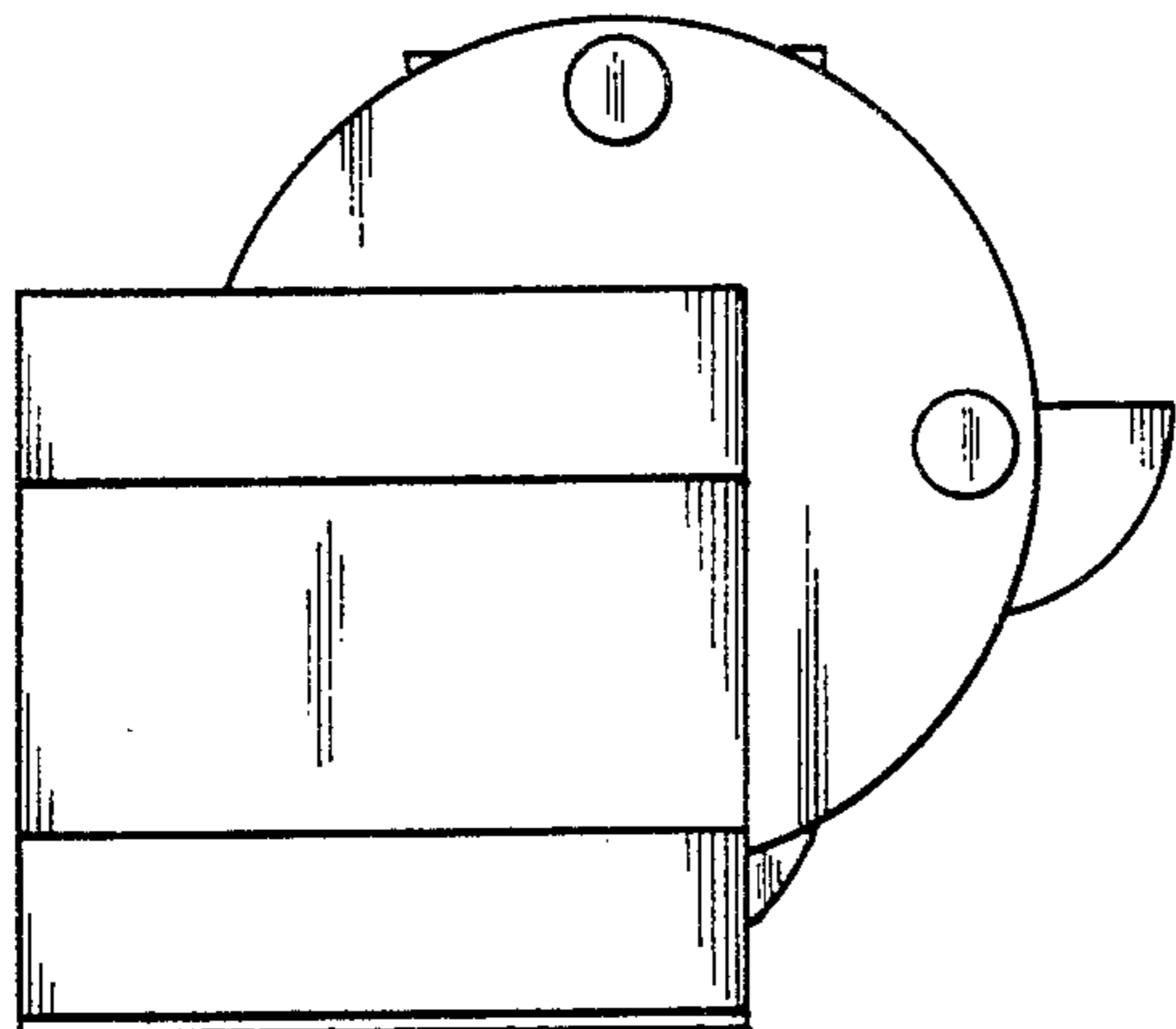


FIG. 5

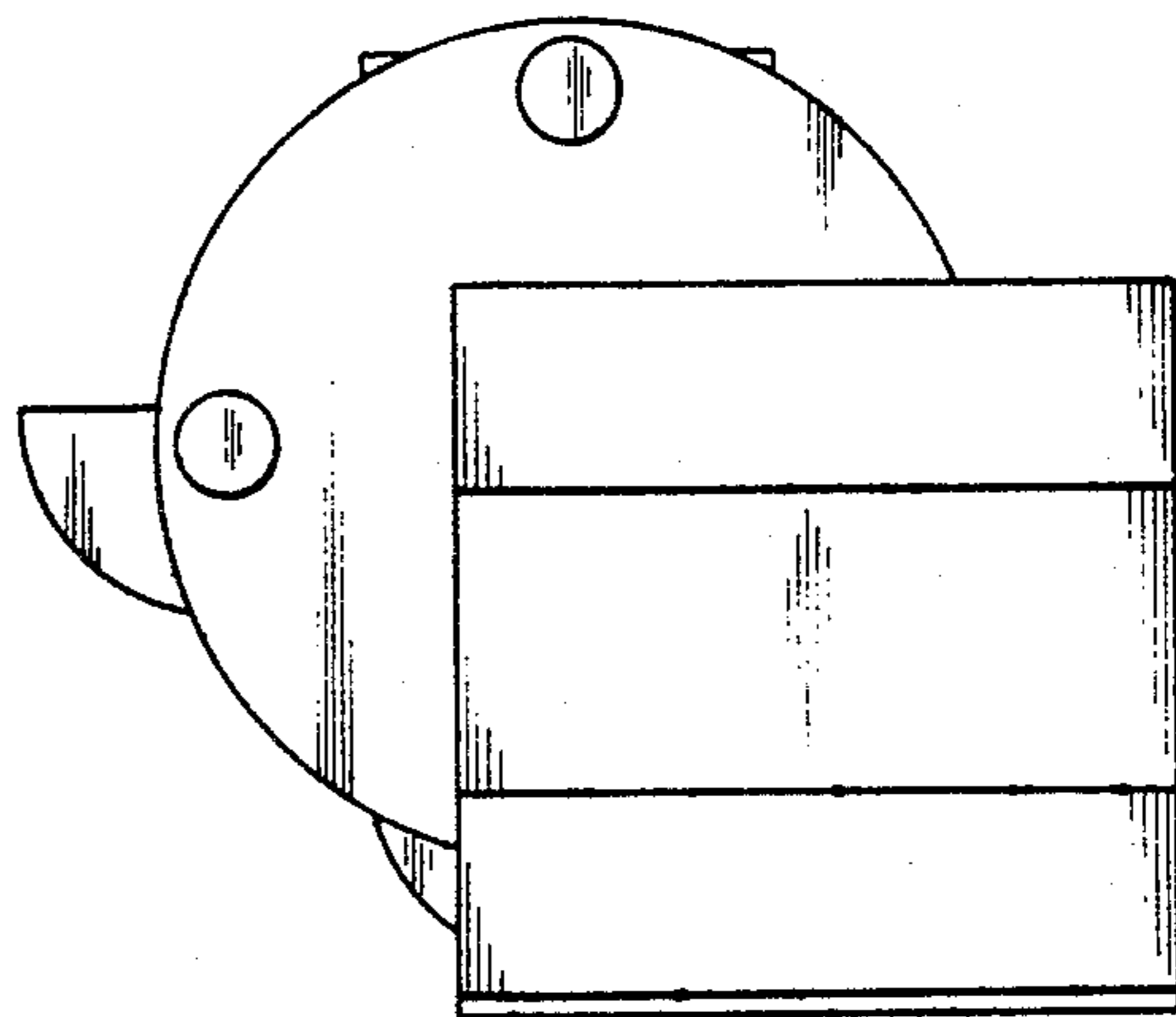


FIG. 6

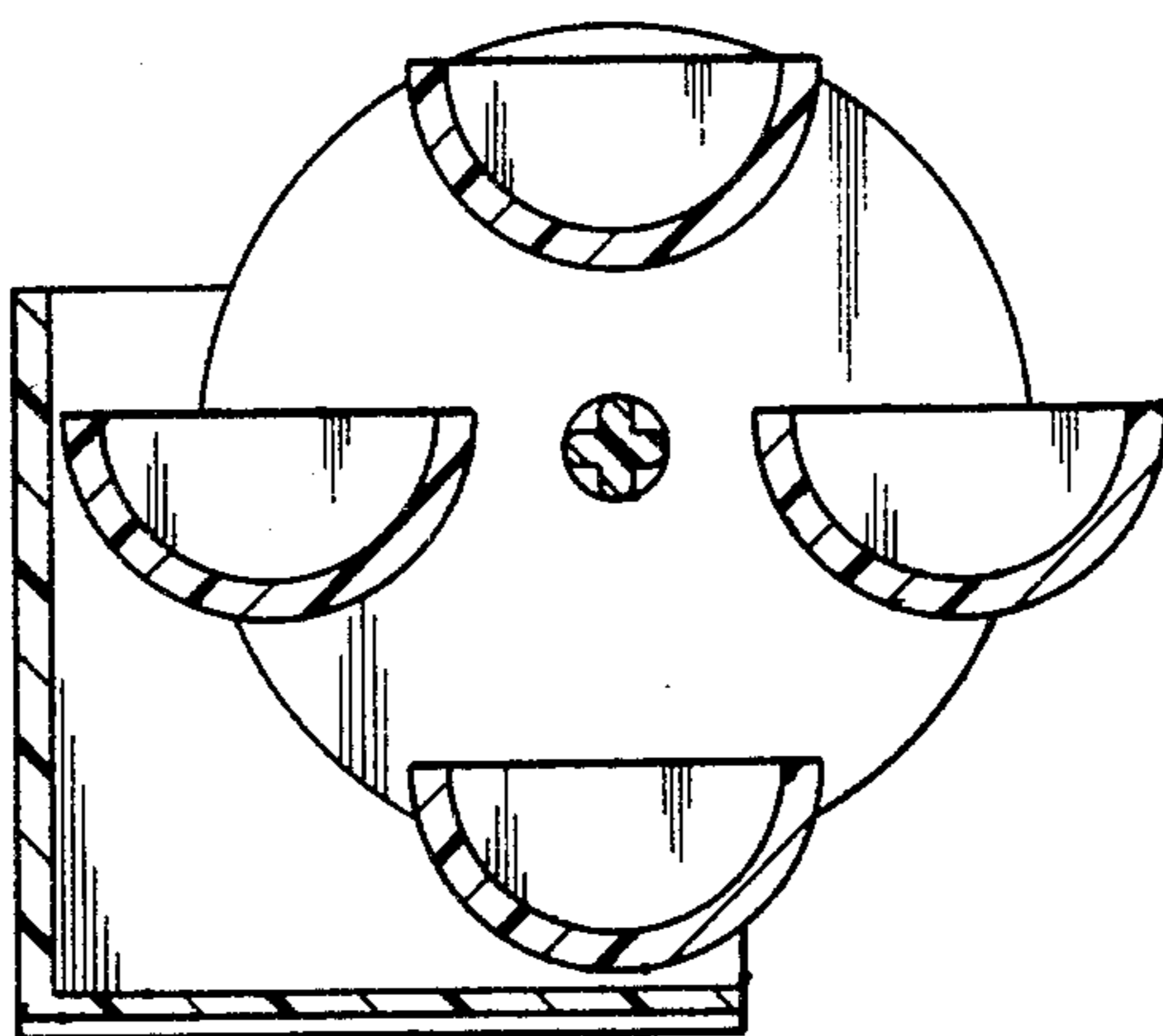


FIG. 7