

[54] STORAGE RACK FOR CASSETTES OR THE LIKE

[76] Inventor: Jon W. Taylor, Bldg. 14, Apt. 12, Netcong Heights, Netcong, N.J. 07857

[**] Term: 14 Years

[21] Appl. No.: 474,300

[22] Filed: Mar. 11, 1983

[52] U.S. Cl. D6/407

[58] Field of Search D6/407, 408; D3/35; 206/387, 564, 523; 211/40, 43

[56] References Cited

U.S. PATENT DOCUMENTS

D. 257,307	10/1980	Schweizer	D6/407
D. 267,216	12/1982	Swan	D6/407
3,338,421	8/1967	Lyman	D6/407 X
4,117,931	10/1978	Berkman	D3/35 X

4,257,524 3/1981 Yonkers et al. D3/35 X

OTHER PUBLICATIONS

The Country Gourmet, p. 39; "L" Shaped Record Rack; right third from top.

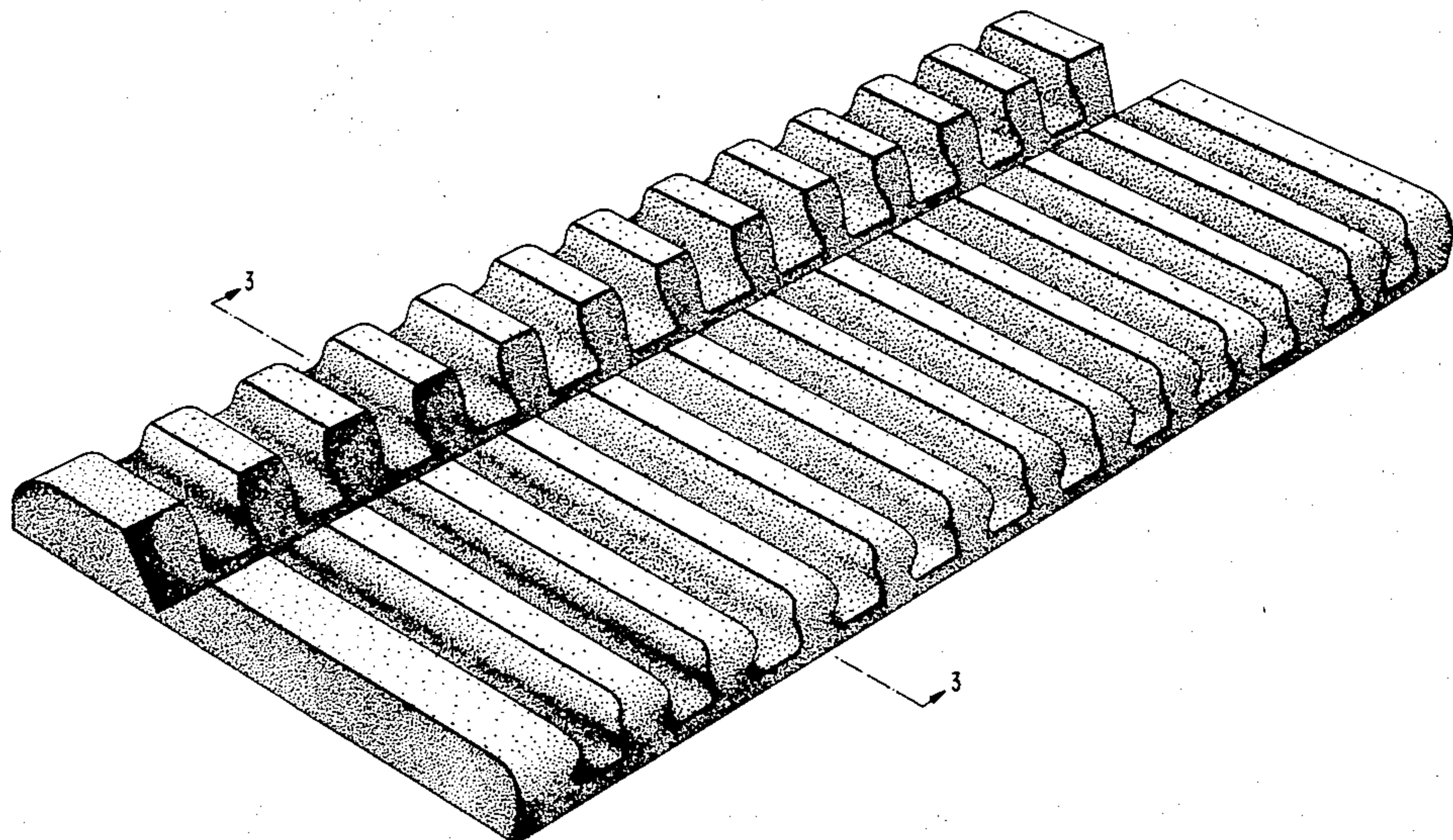
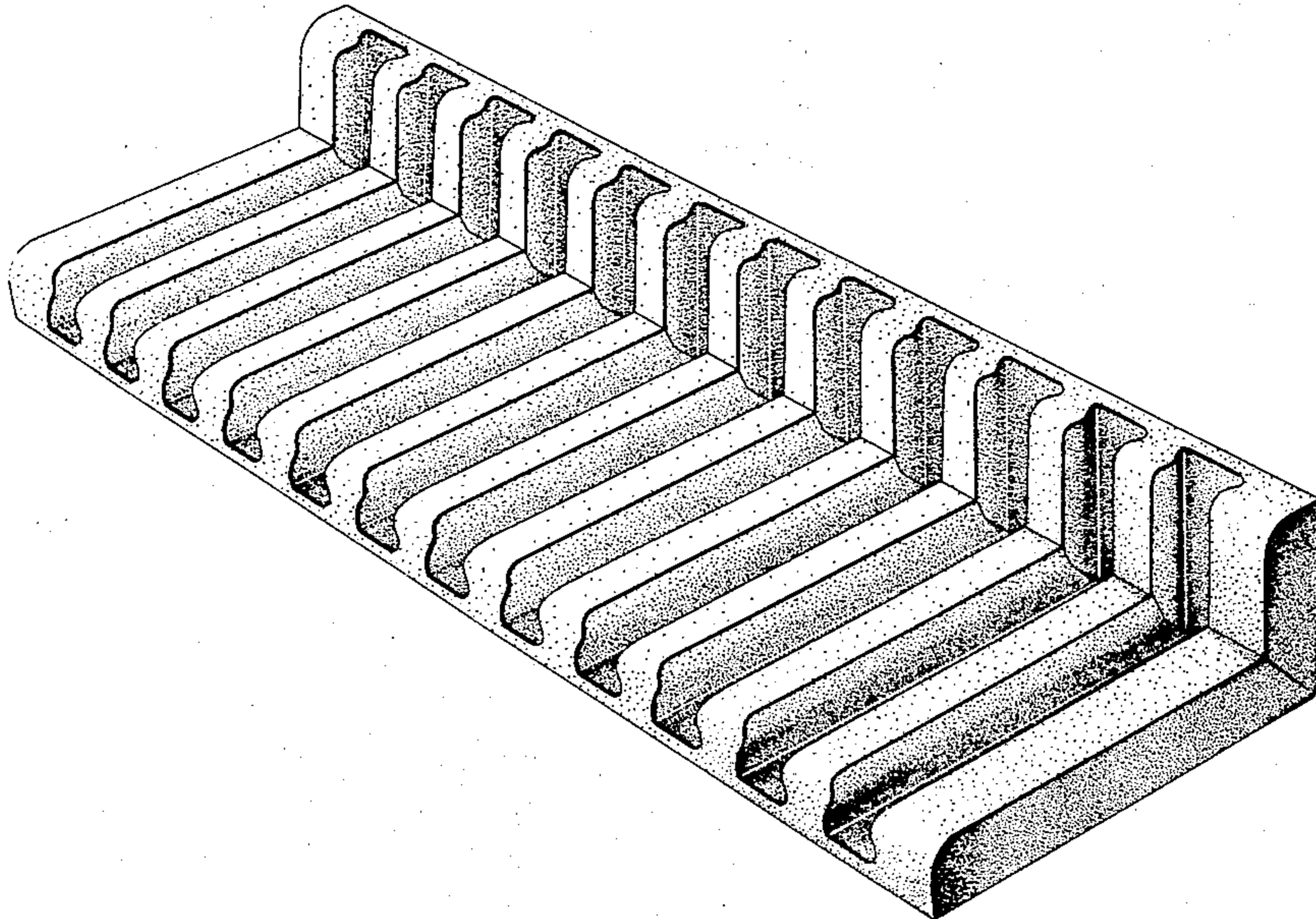
Primary Examiner—Carmen H. Vales
Attorney, Agent, or Firm—Martha G. Pugh

[57] CLAIM

The ornamental design for a storage rack for cassettes or the like, as shown and described.

DESCRIPTION

FIG. 1 is a left front perspective view of a storage rack for cassettes or the like, showing my new design; FIG. 2 is a right front perspective in folded position; and FIG. 3 is a sectional view taken along line 3—3 of FIG. 1.



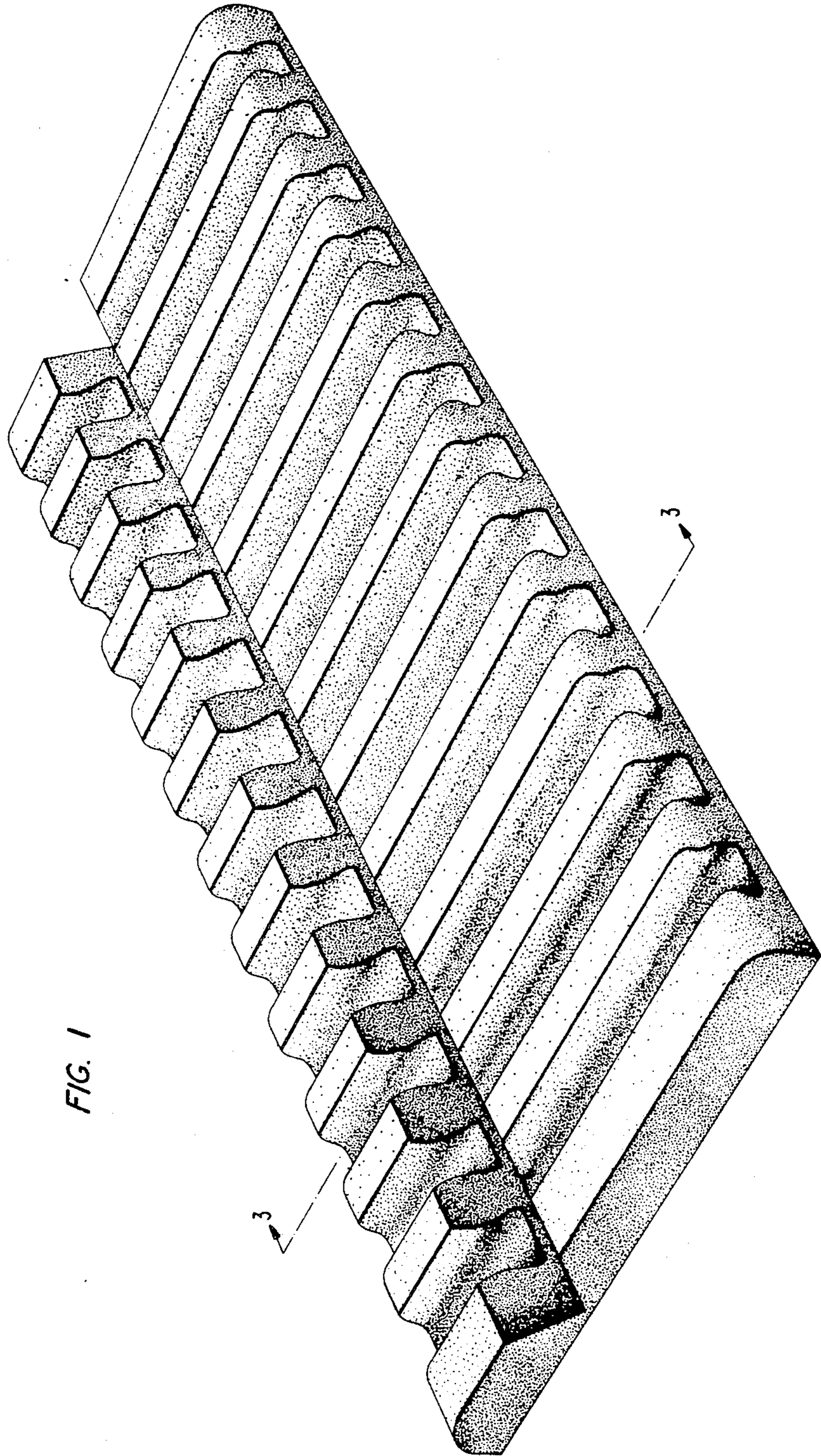


FIG. 1

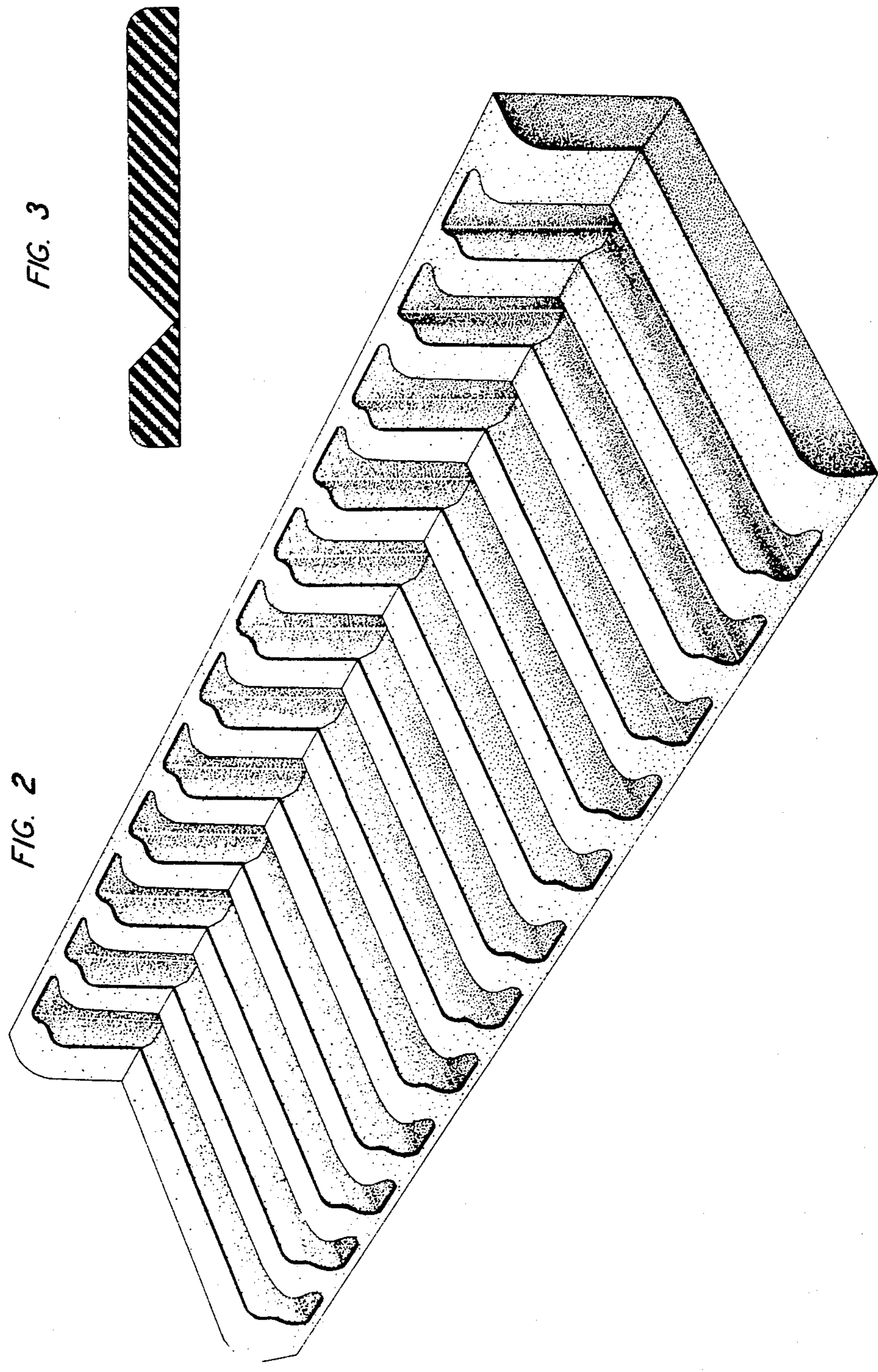


FIG. 2

FIG. 3