

[54] LUGGAGE

[75] Inventor: Hartmut H. Esslinger, Altensteig, Fed. Rep. of Germany

[73] Assignee: Louis Vuitton S.A., Paris, France

[**] Term: 14 Years

[21] Appl. No.: 601,997

[22] Filed: Apr. 19, 1984

[30] Foreign Application Priority Data

Oct. 20, 1983 [FR] France 833817

[52] U.S. Cl. D3/76; D3/70

[58] Field of Search D3/30.1, 33, 35, 70, D3/76; 190/37; 206/316

[56] References Cited

U.S. PATENT DOCUMENTS

- D. 129,108 8/1941 Sprague D3/33
- D. 247,993 5/1978 Calzone D3/76
- 1,093,484 4/1914 Schwarzrock D3/76
- 1,372,274 3/1921 Calkin 190/37

- 1,543,999 6/1925 Goldsmith 190/37
- 2,218,052 10/1940 Rosen 190/37
- 4,008,790 2/1977 Eiteljorg D3/33

FOREIGN PATENT DOCUMENTS

561564 9/1932 Fed. Rep. of Germany D3/70

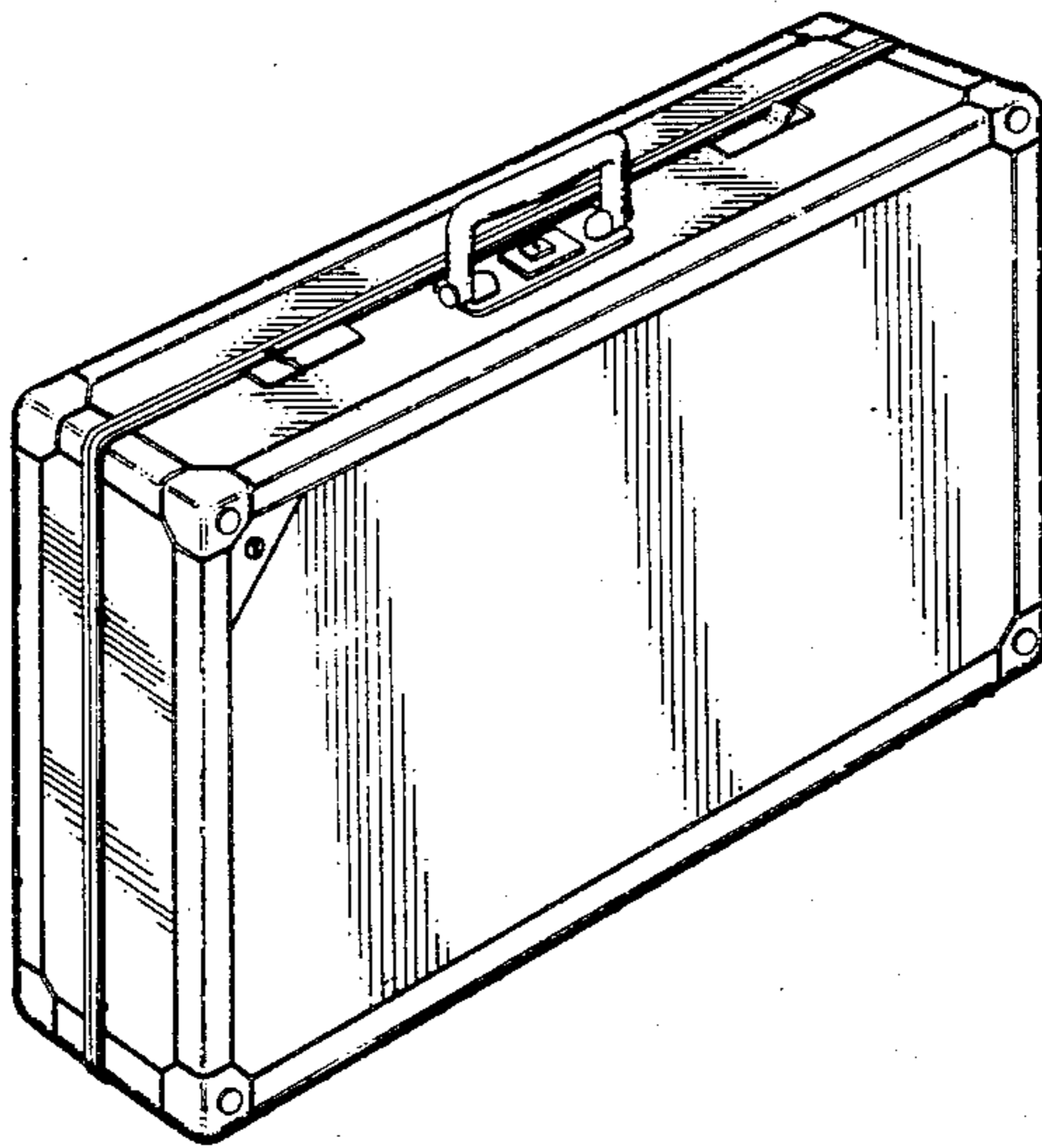
Primary Examiner—George P. Word
Attorney, Agent, or Firm—Merchant, Gould, Smith, Edell, Welter & Schmidt

[57] CLAIM

The ornamental design for luggage, as shown and described.

DESCRIPTION

FIG. 1 is a perspective view of luggage showing my new design;
FIG. 2 is a side elevational view of the side opposite that shown in FIG. 1;
FIG. 3 is a left end elevational view, the right end being a mirror image thereof;
FIG. 4 is a top plan view thereof; and
FIG. 5 is a bottom plan view thereof.



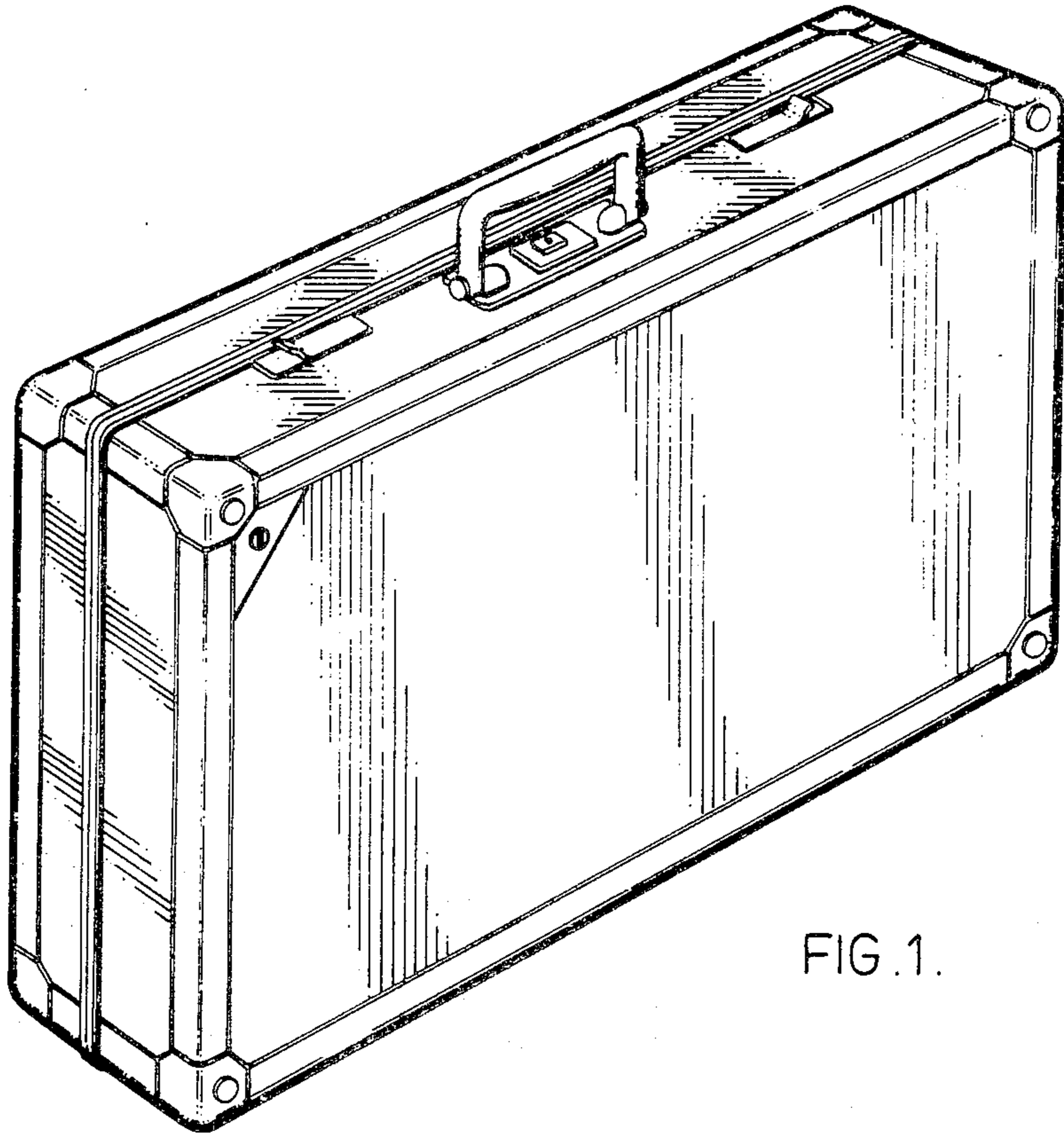


FIG. 1.

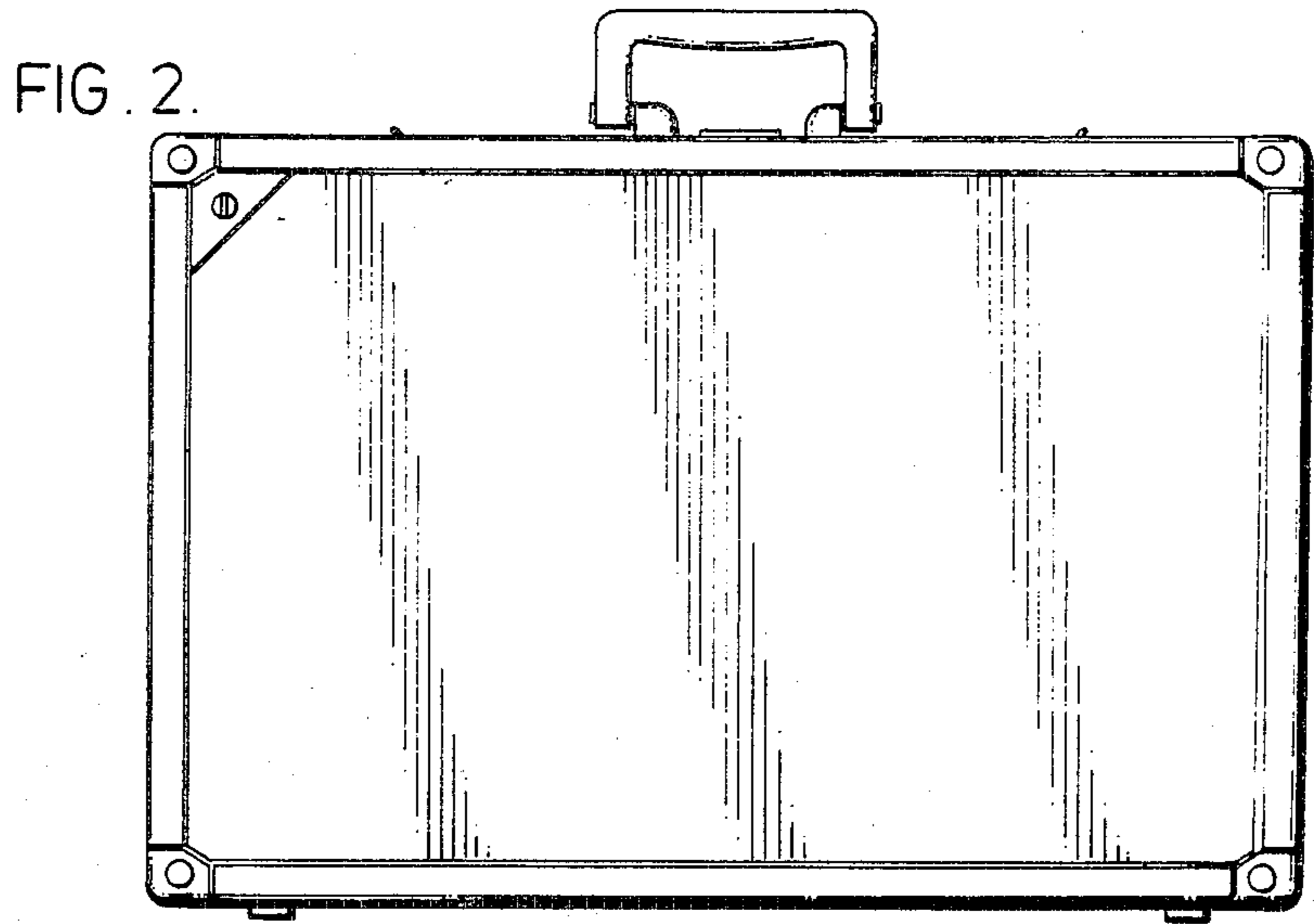


FIG. 2.

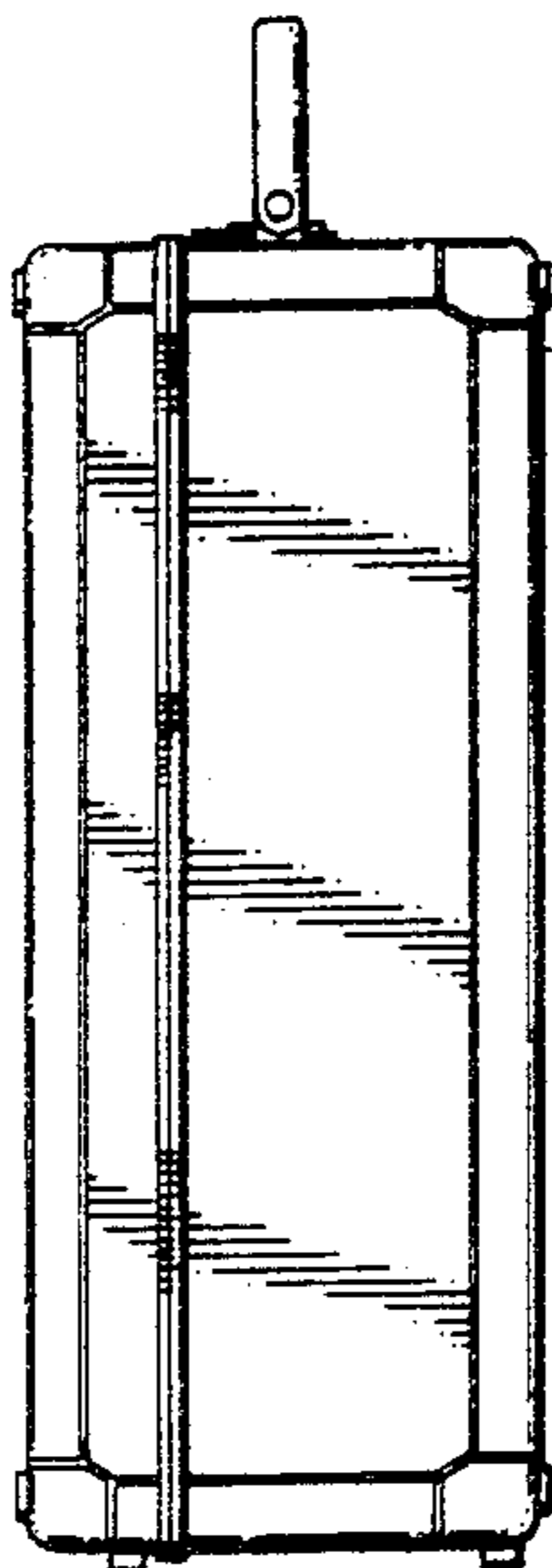


FIG. 3.

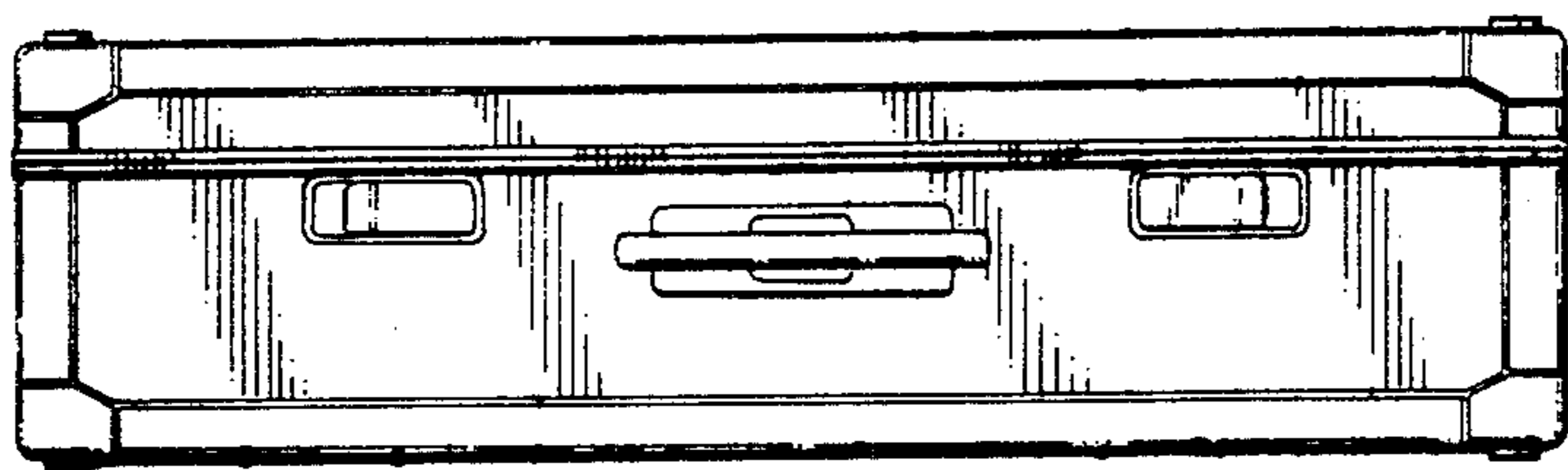


FIG. 4.

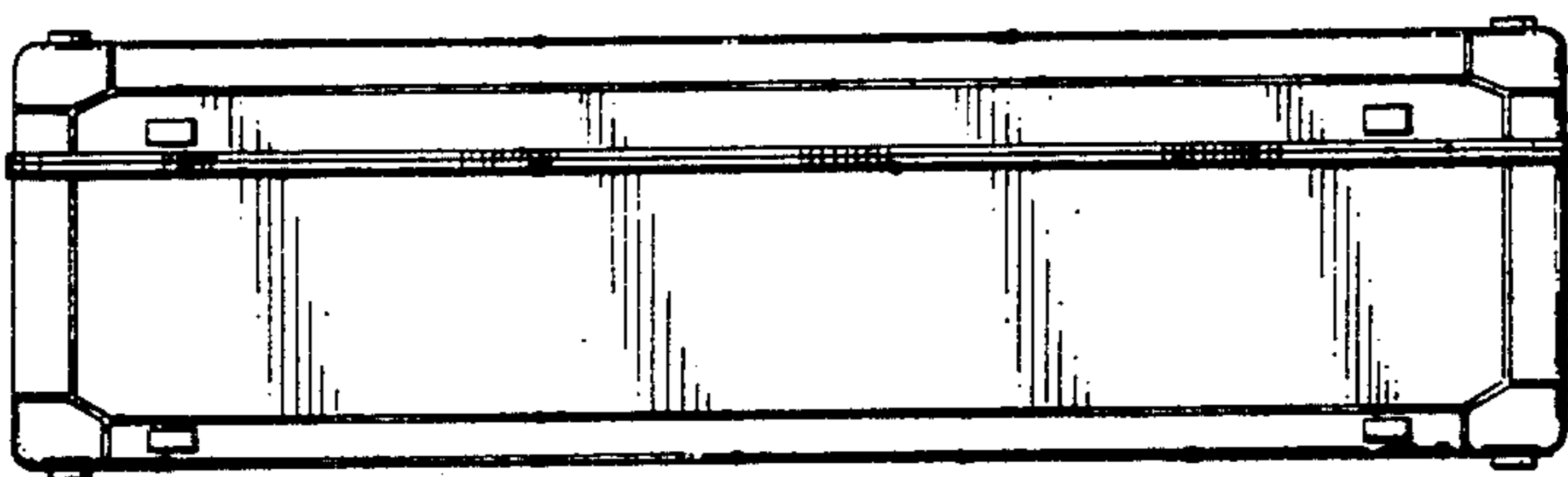


FIG. 5.