

[54] DISKETTE STORAGE CASE

[75] Inventor: W. Robert Worrell, Hopkins, Minn.

[73] Assignee: Norwesco Inc., Minneapolis, Minn.

[**] Term: 14 Years

[21] Appl. No.: 710,849

[22] Filed: Mar. 12, 1985

[52] U.S. Cl. D3/35; D19/76

[58] Field of Search D3/30.1, 33, 35, 75, D3/78; 206/45.18, 45.2, 425, 444, 454, 387, 309-313, 472; 312/9-13; 220/334; D9/420

[56] References Cited

U.S. PATENT DOCUMENTS

- D. 251,273 3/1979 Egly D19/78
- D. 273,721 5/1984 Ronzani D9/420

- D. 280,952 10/1985 Kirchner D19/76
- 4,508,217 4/1985 Long et al. 206/45.18
- 4,527,692 7/1985 Neuman 206/45.18

Primary Examiner—George P. Word
Attorney, Agent, or Firm—Kinney & Lange

[57] CLAIM

The ornamental design for a diskette storage case, as shown and described.

DESCRIPTION

FIG. 1 is a front perspective view of a diskette storage case, showing my new design;

FIG. 2 is a rear perspective view thereof;

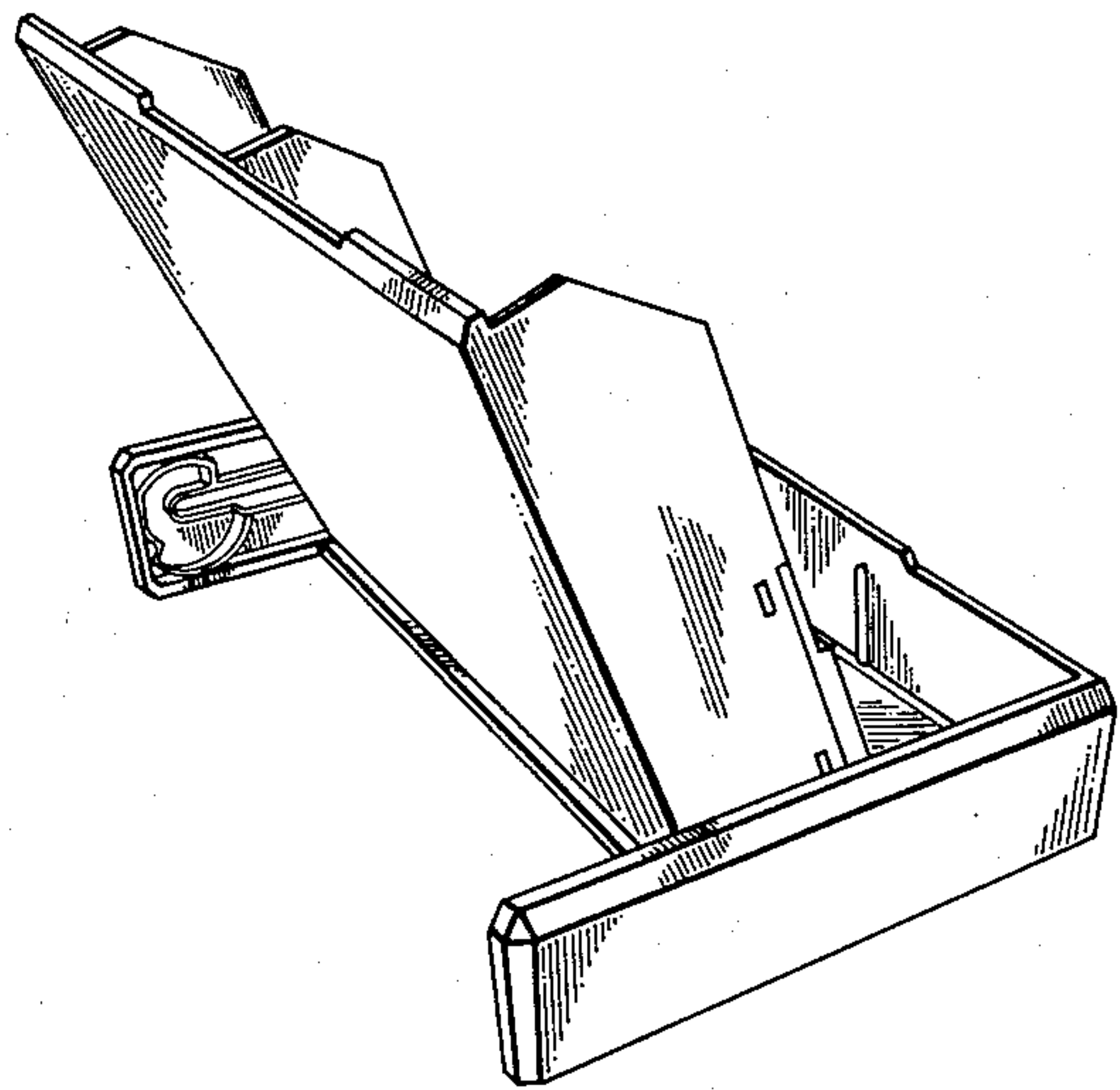
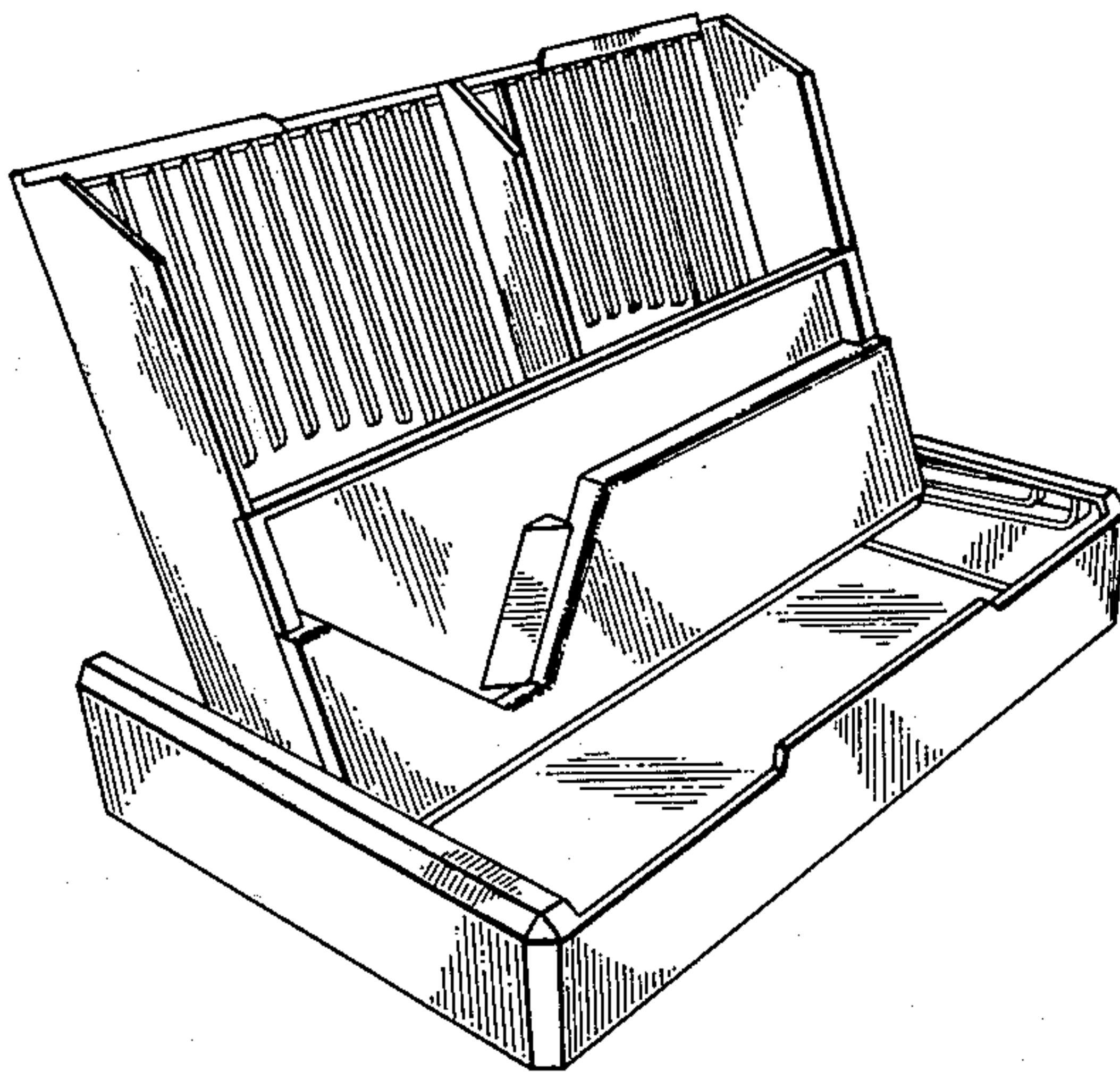
FIG. 3 is a left side elevational view thereof;

FIG. 4 is a front elevational view thereof;

FIG. 5 is a rear elevational view thereof;

FIG. 6 is a top plan view thereof; and

FIG. 7 is a bottom plan view thereof.



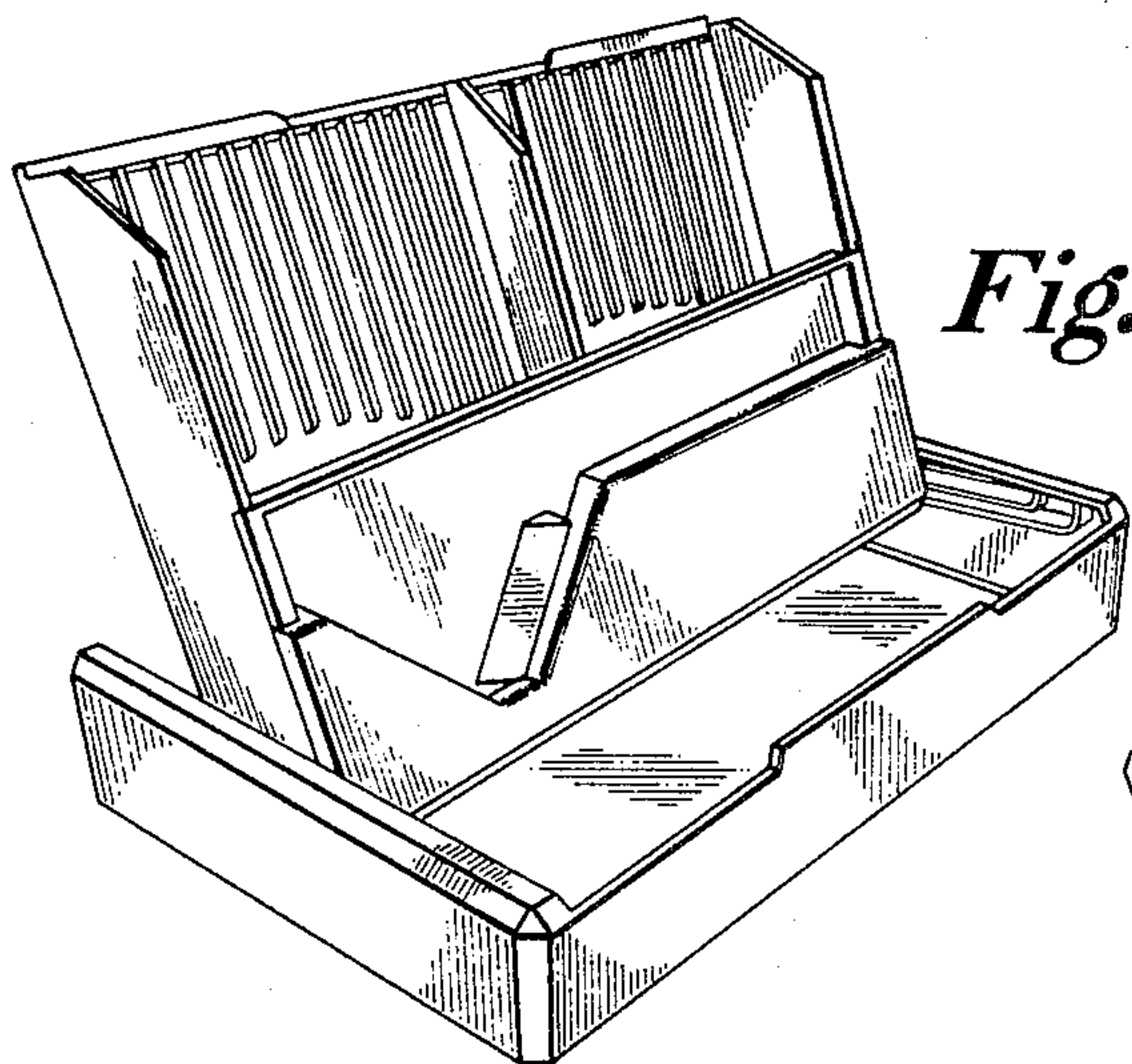


Fig. 1

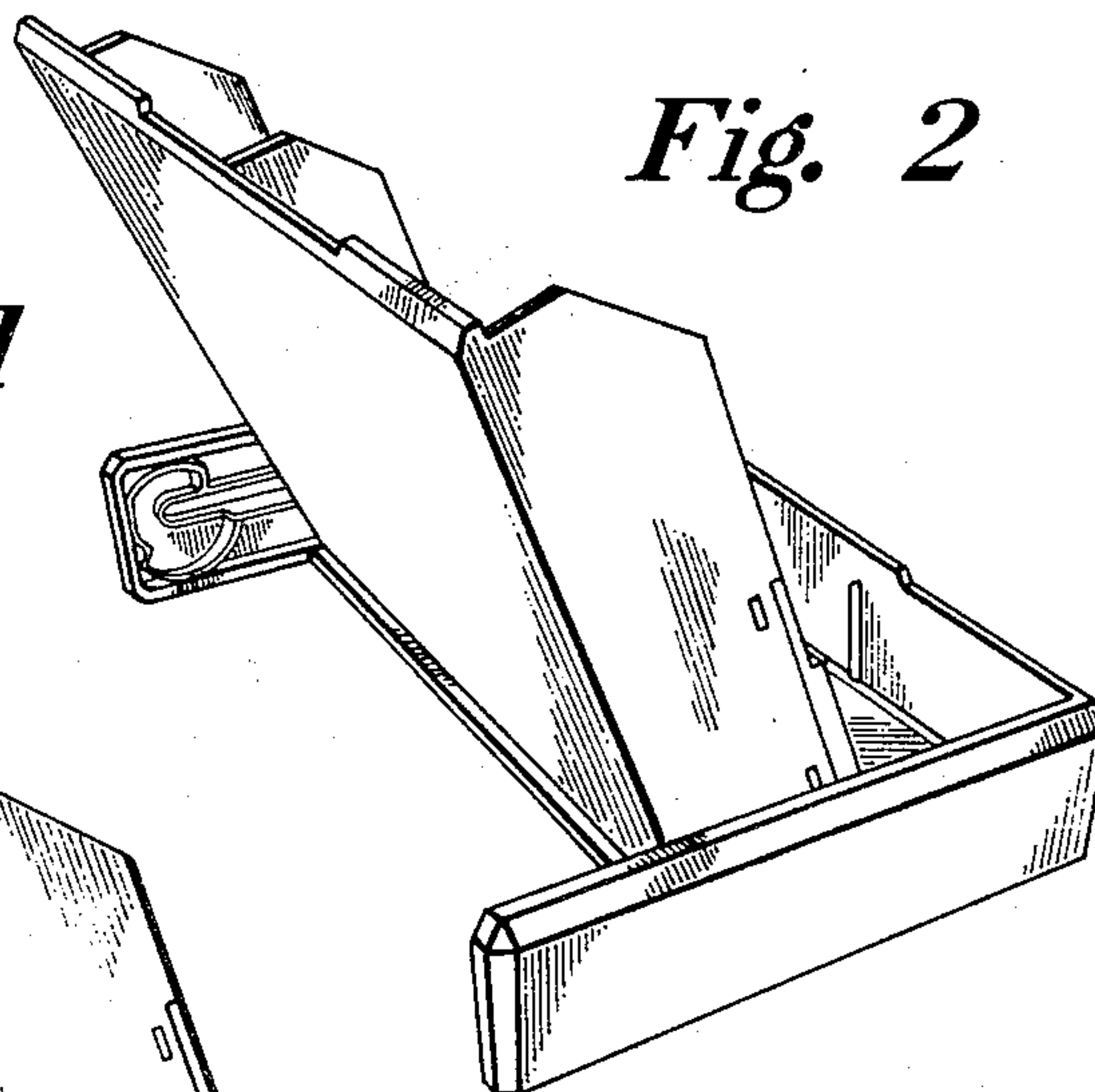


Fig. 2

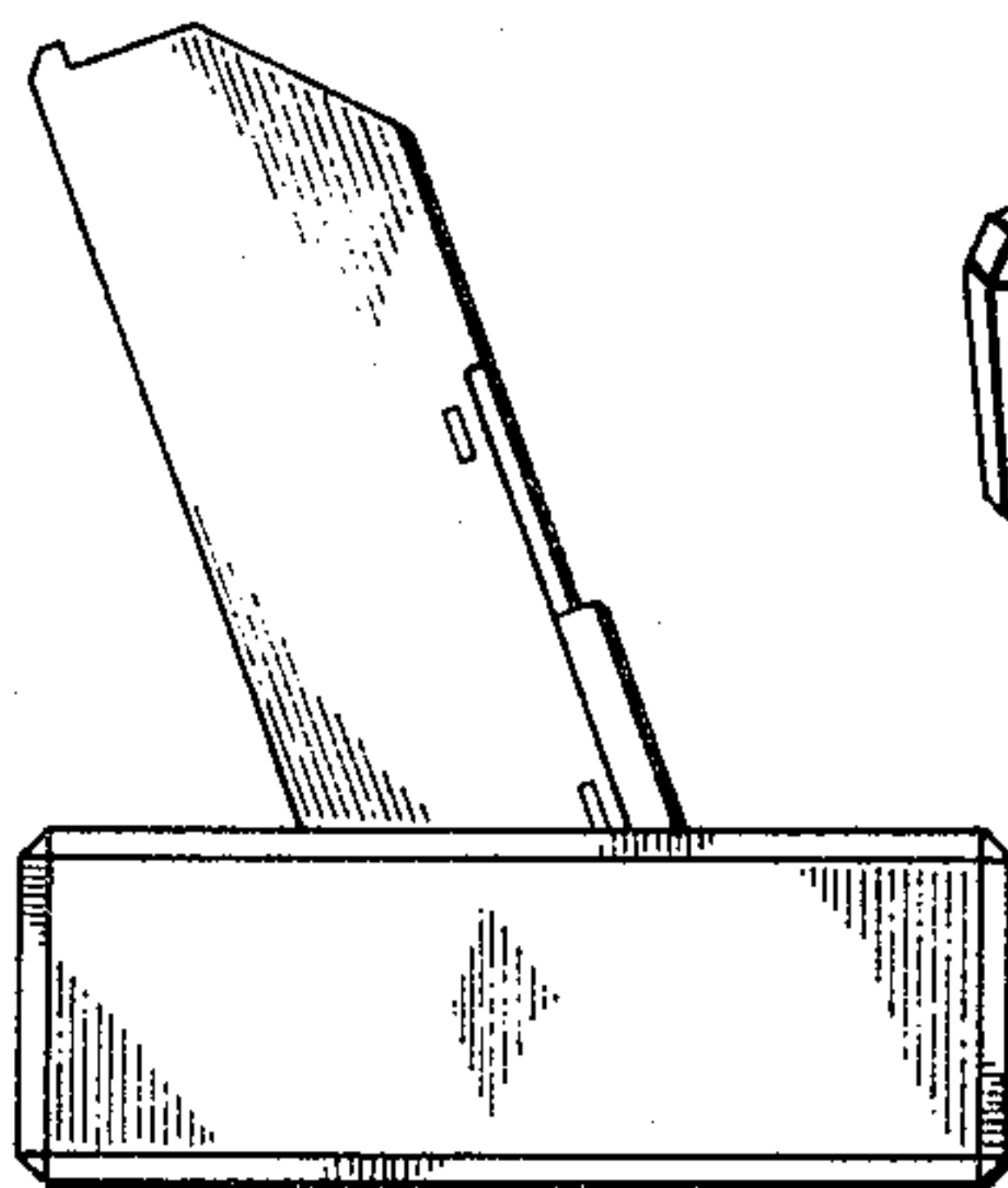


Fig. 3

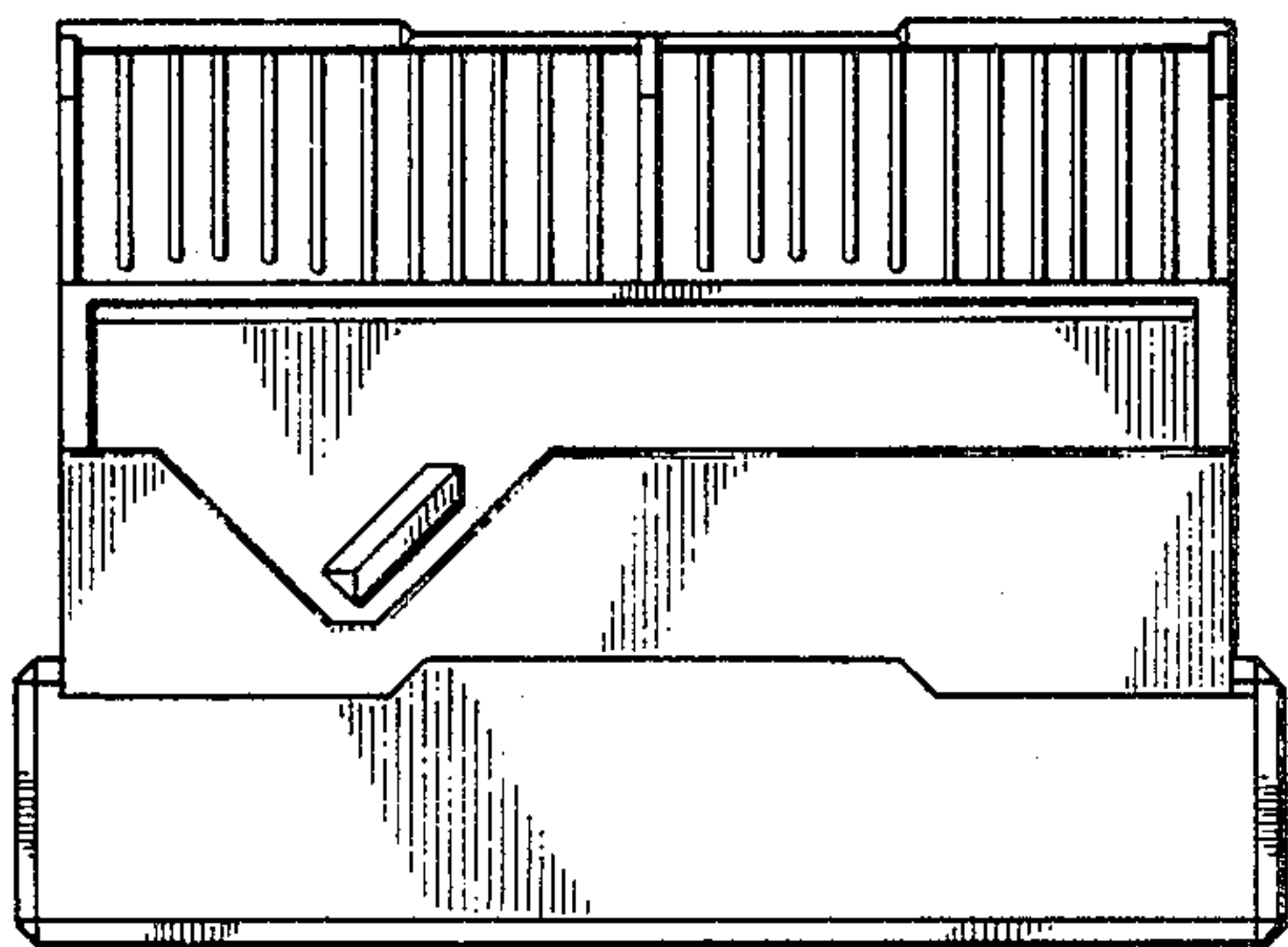


Fig. 4

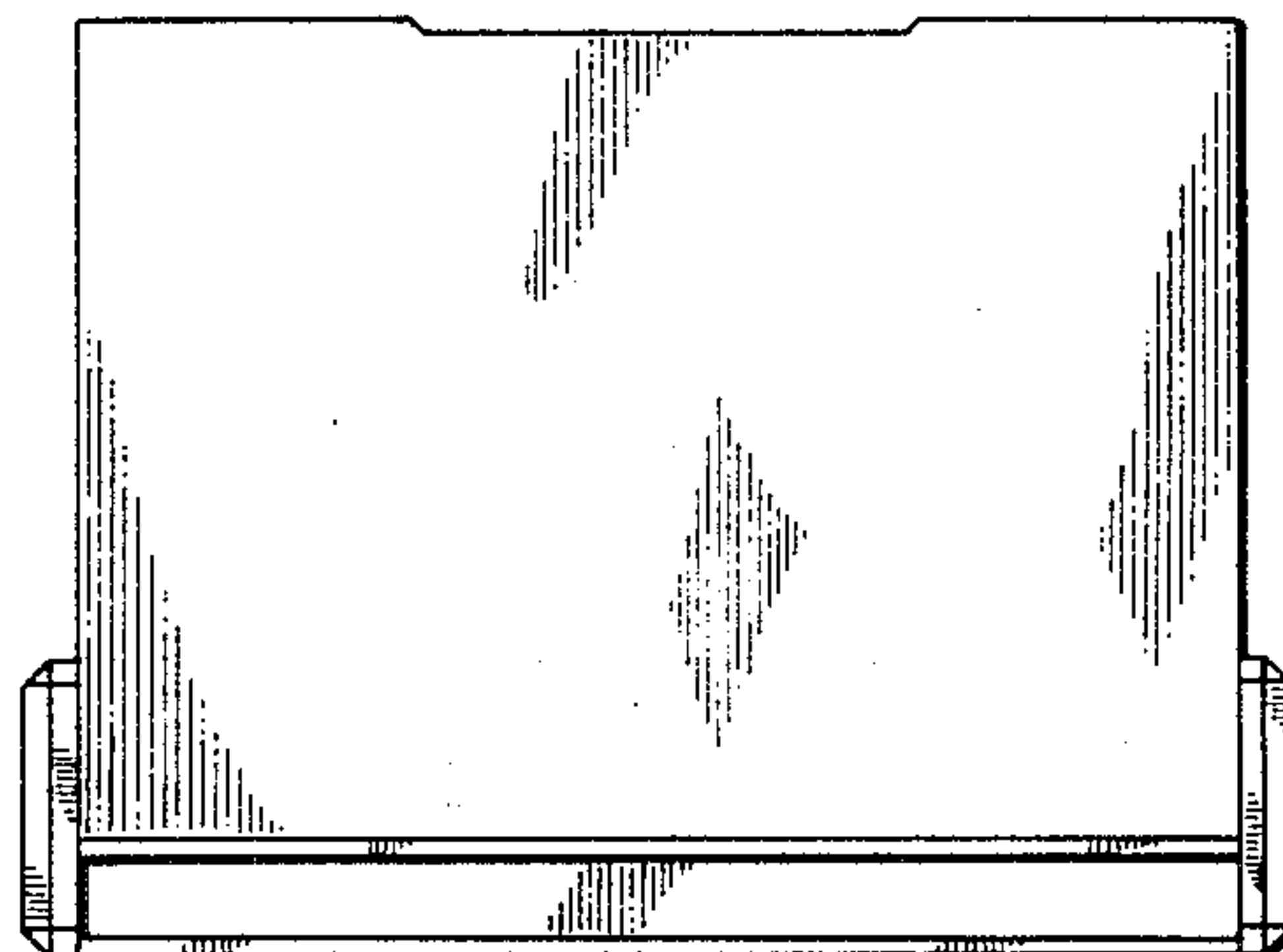


Fig. 5

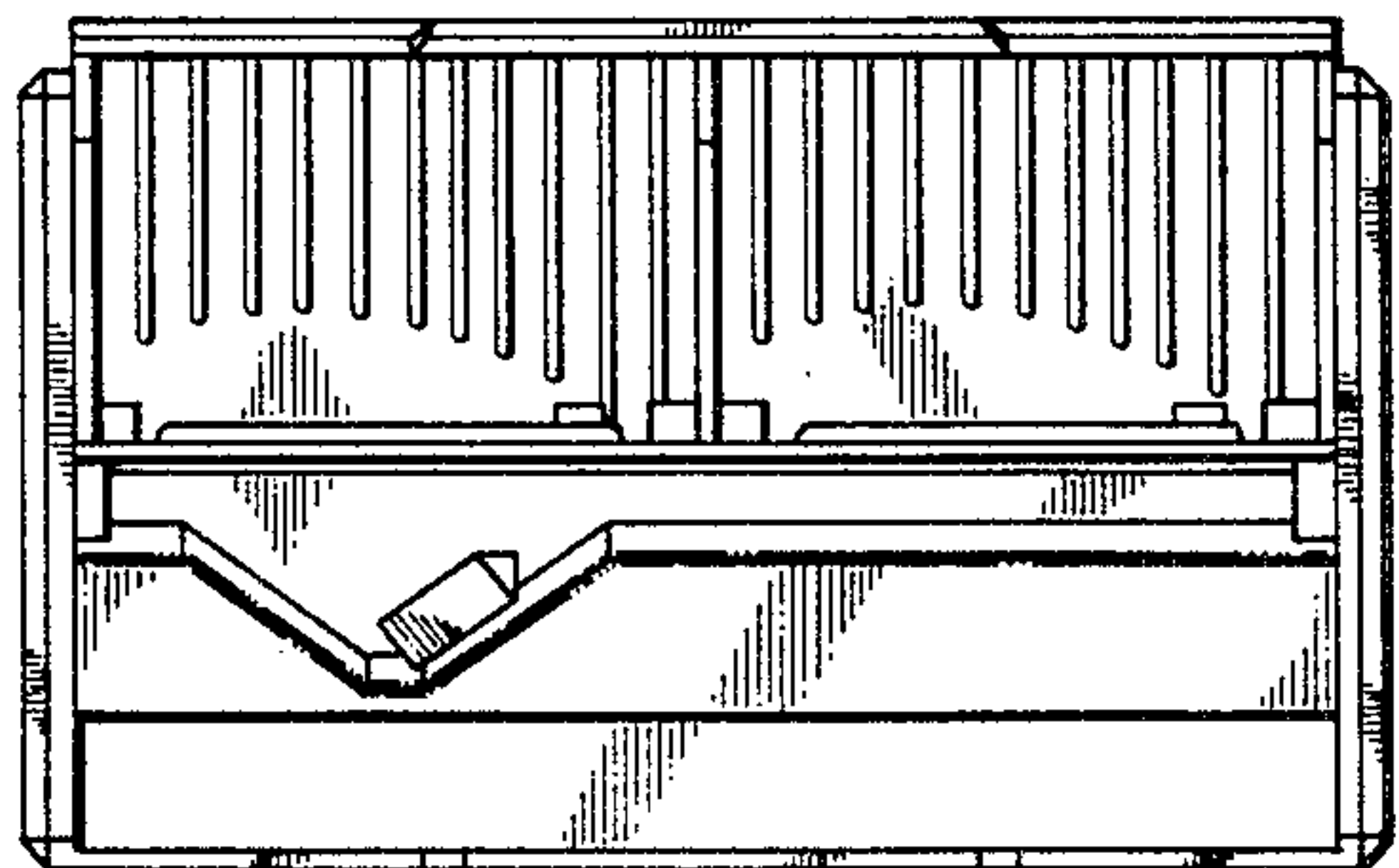


Fig. 6

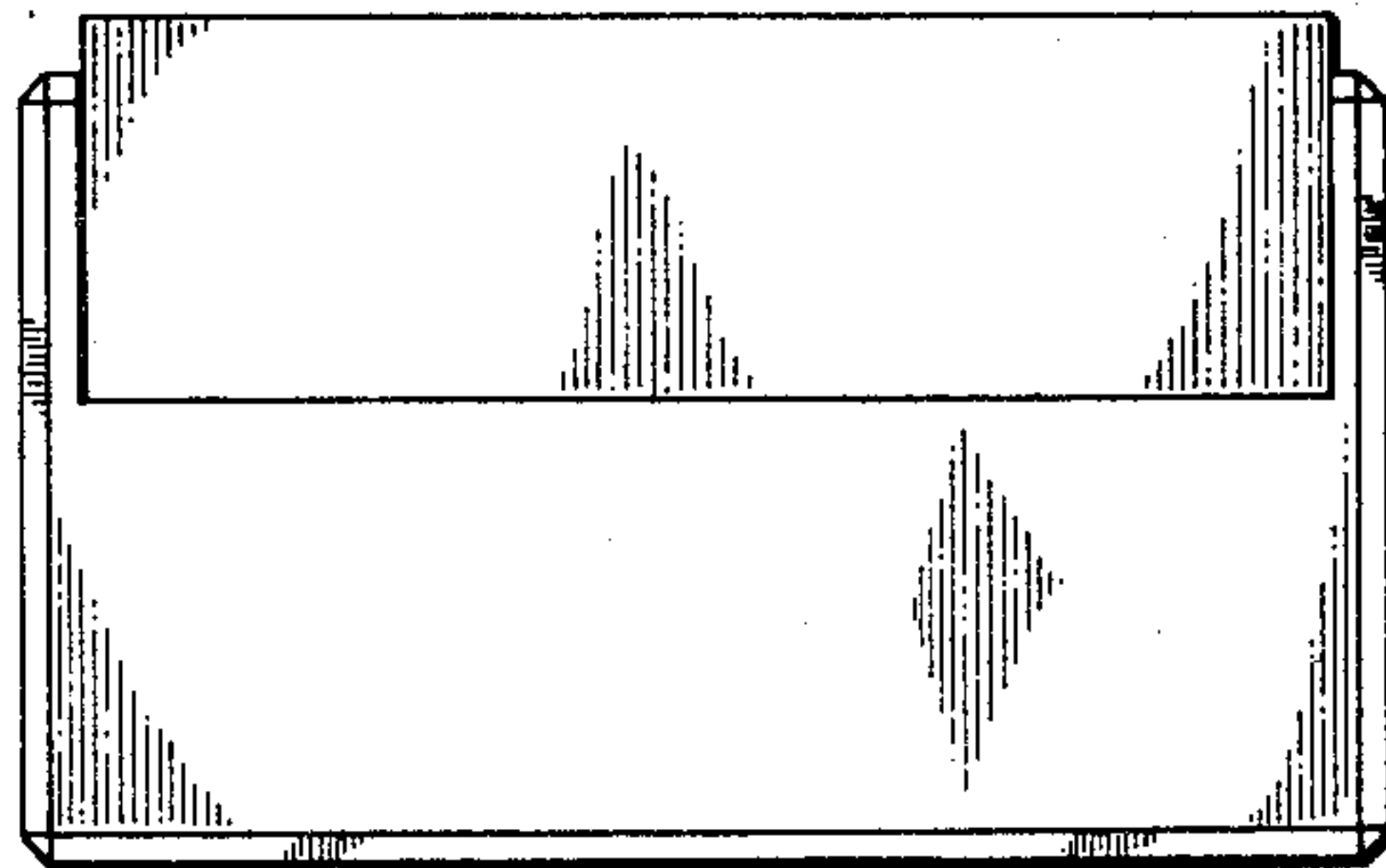


Fig. 7