

[54] DISKETTE STORAGE CONTAINER

4,411,481 10/1983 Bergman ..... 206/387

[75] Inventor: Balthasar Kirchner, Eferding, Austria

FOREIGN PATENT DOCUMENTS

701894 2/1941 Fed. Rep. of Germany ..... 220/22.3

[73] Assignee: Ernst Stadelmann Gesellschaft m.b.H, Eferding, Austria

OTHER PUBLICATIONS

Sterling Cat.: 1971, p. 21, Item top right.

[\*\*] Term: 14 Years

Primary Examiner—George P. Word  
Attorney, Agent, or Firm—Karl F. Ross; Herbert Dubno

[21] Appl. No.: 522,182

[57] CLAIM

[22] Filed: Aug. 10, 1983

The ornamental design for a diskette storage container, as shown and described.

[52] U.S. Cl. .... D3/35; D3/78; D19/76

[58] Field of Search ..... D3/33, 35, 78; 206/425, 206/387, 444; 219/76, 99; 220/22.1, 22.3

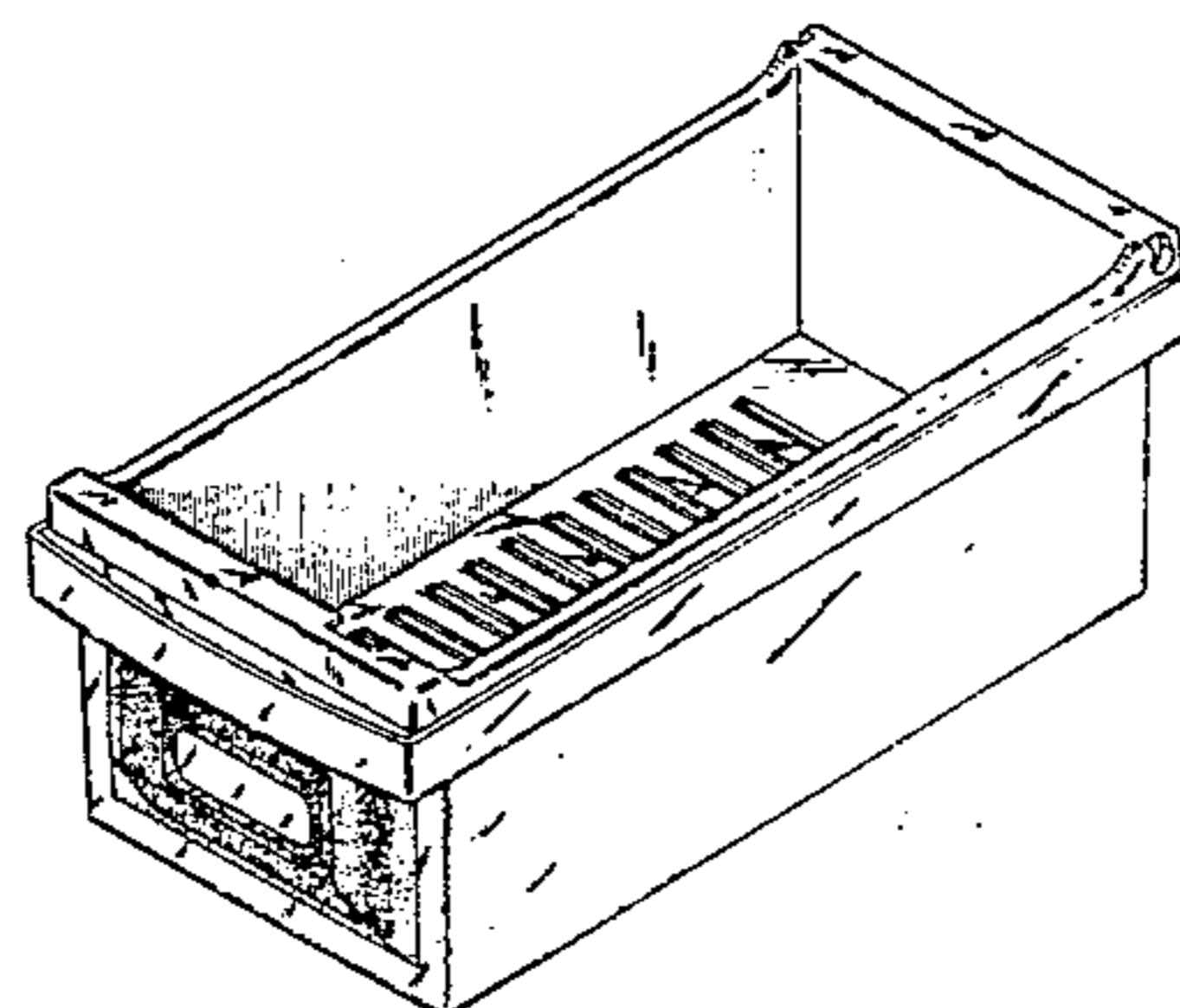
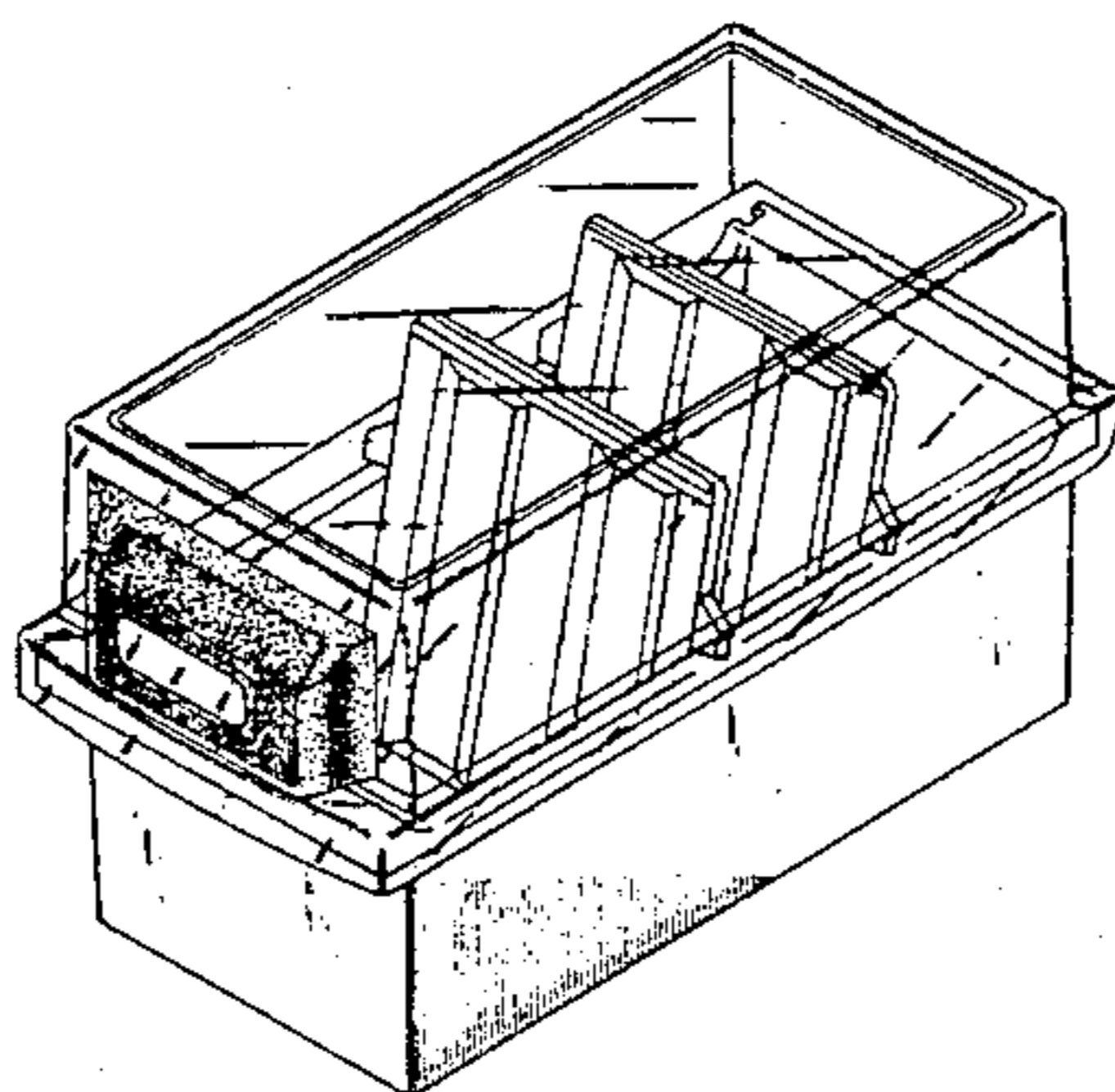
DESCRIPTION

[56] References Cited

FIG. 1 is a right front perspective view of a diskette storage container showing my new design;  
FIG. 2 is a left front perspective view thereof with the lid in the open position;  
FIG. 3 is a right front perspective view with the base of the container nested in the lid;  
FIG. 4 is a rear elevational view of FIG. 1; and  
FIG. 5 is a bottom plan view thereof.

U.S. PATENT DOCUMENTS

- D. 255,805 7/1980 Hampshire et al. .... D19/76
- D. 259,496 6/1981 Hampshire et al. .... D19/76
- D. 276,111 10/1984 Doyel ..... D19/90
- 4,366,904 1/1983 Roskvist ..... 206/425



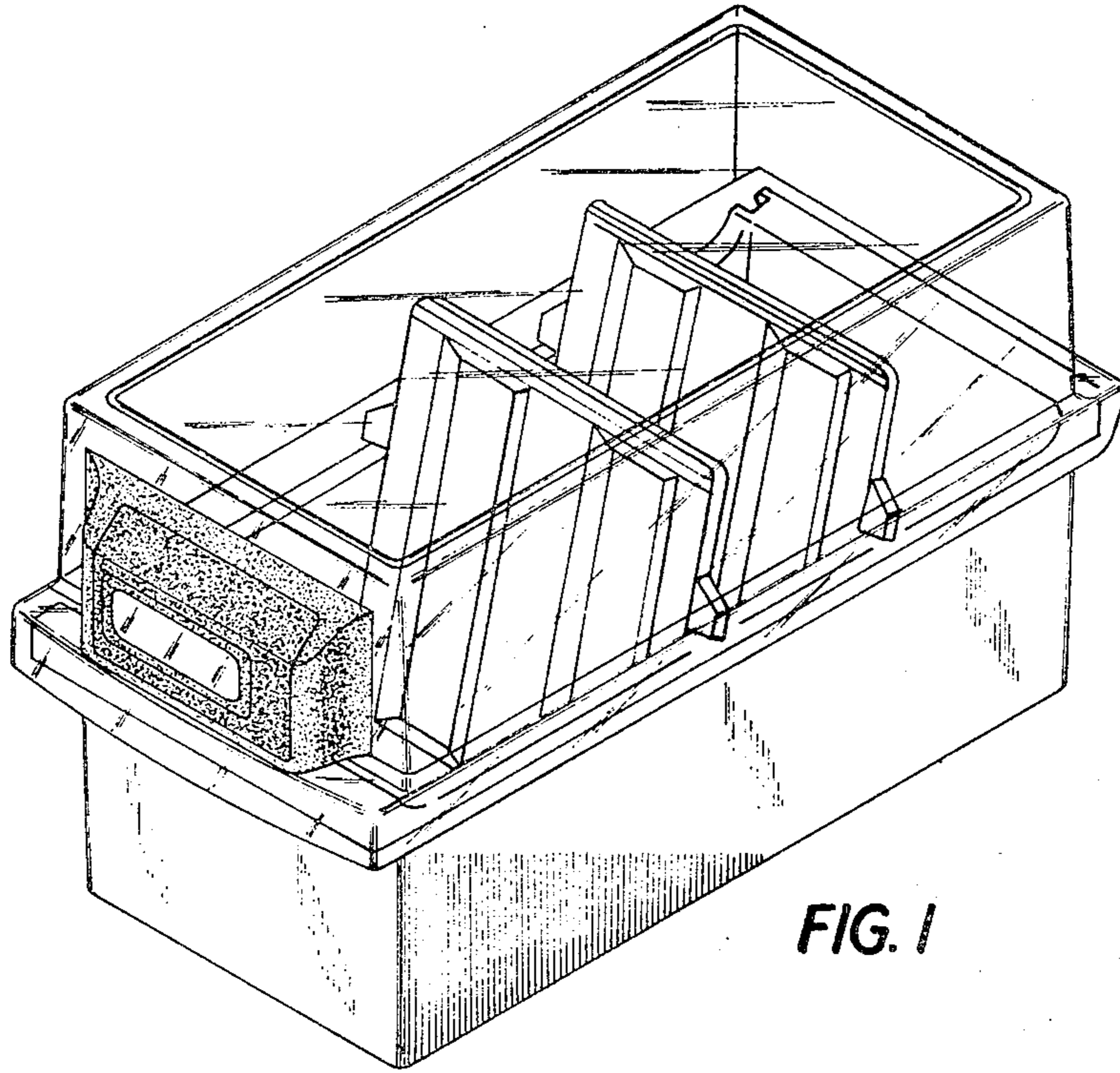


FIG. 1

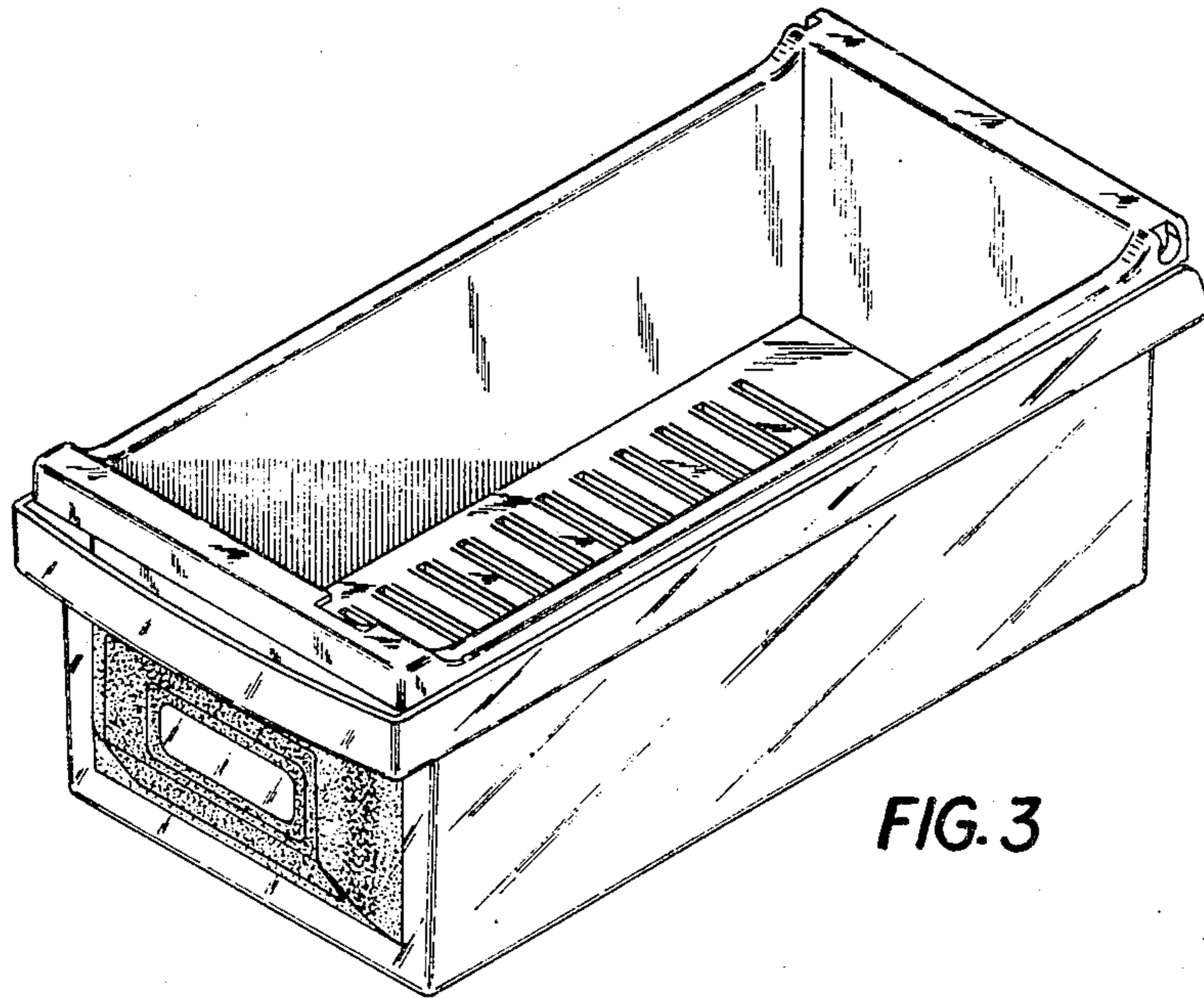


FIG. 3

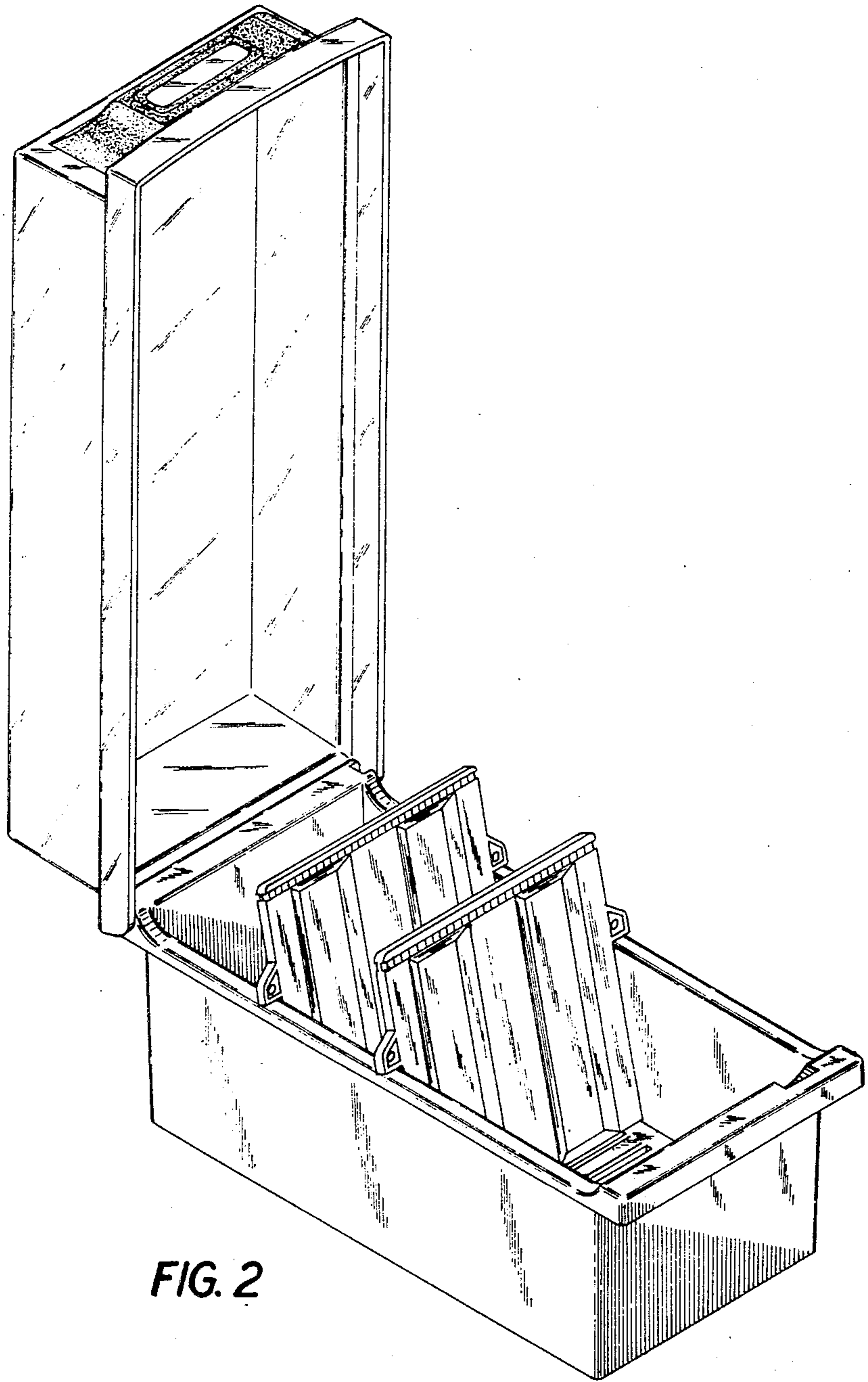


FIG. 2

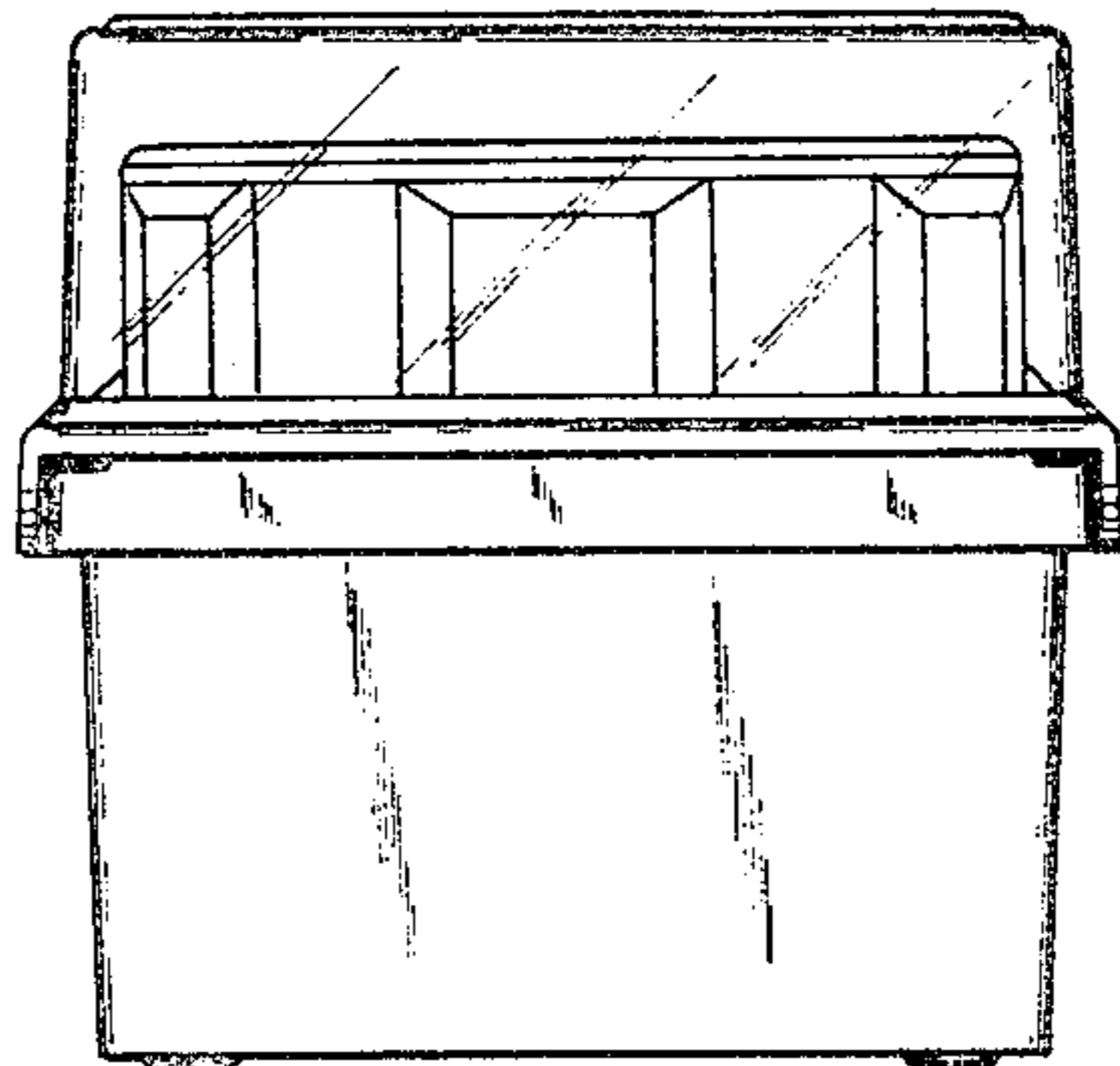


FIG. 4

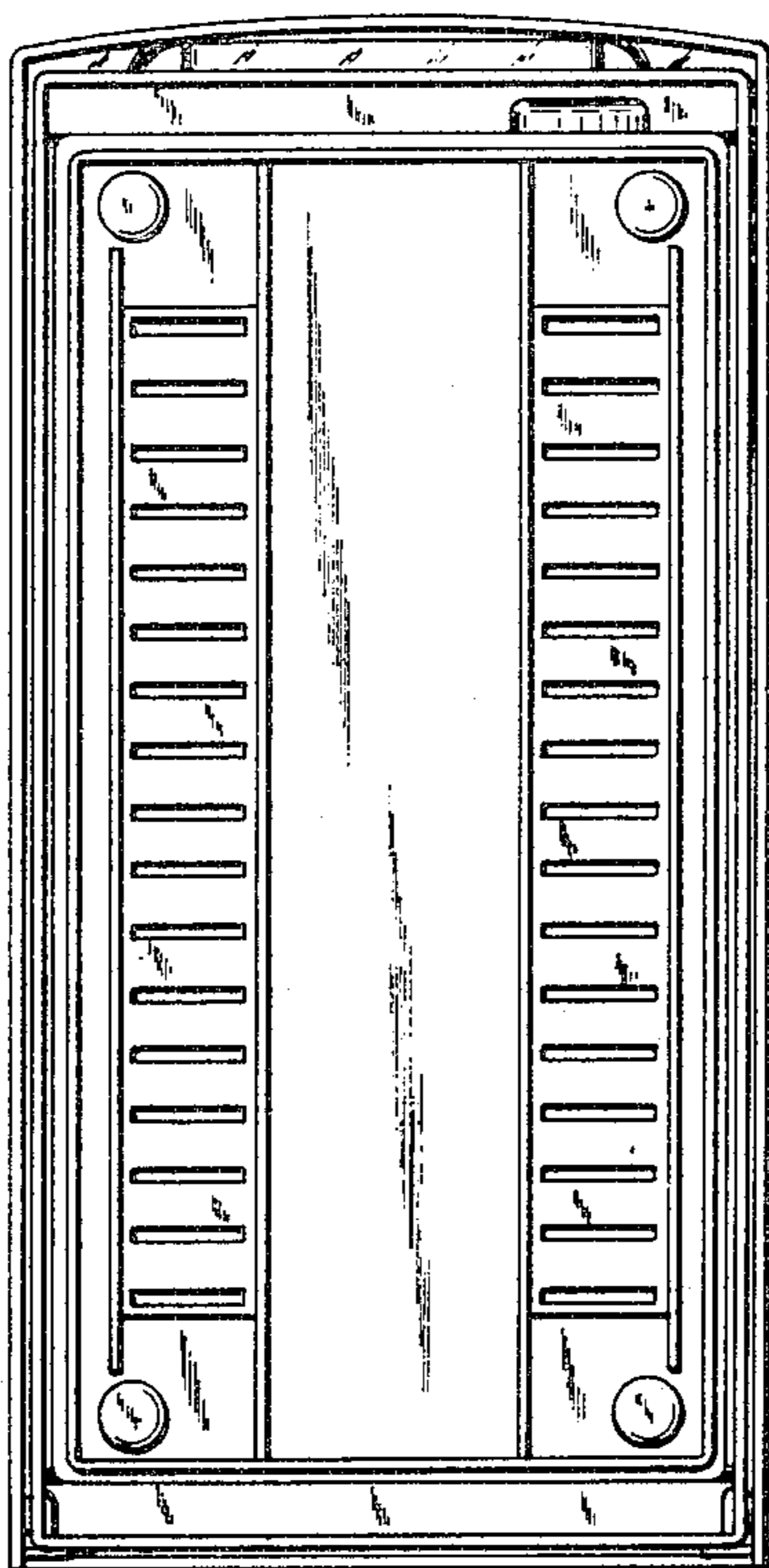


FIG. 5