

[54] THERMO ELECTRIC COOLING HEAD-BAND

[75] Inventors: Hiromi Wada, Hachiouzi; Syuuhei Tsuchihashi, Sayama; Syouzi Kawashima, Miyashiro, all of Japan

[73] Assignee: Hitachi, Ltd., Tokyo, Japan

[**] Term: 14 Years

[21] Appl. No.: 641,340

[22] Filed: Aug. 16, 1984

[30] Foreign Application Priority Data

Apr. 20, 1984 [JP] Japan 59-15801

[52] U.S. Cl. D2/512; D2/514

[58] Field of Search D2/230, 231, 233, 239, D2/241, 253; 2/12, 15, DIG. 11

[56] References Cited

U.S. PATENT DOCUMENTS

D. 262,455 12/1981 Bulmash et al. D2/230

D. 282,020 1/1986 Gwon et al. D2/230
1,198,337 9/1916 Folsom 2/12
2,095,517 10/1937 Bradshaw 2/12
4,365,354 12/1982 Sullivan 2/DIG. 11
4,520,510 6/1985 Daigle 2/12

Primary Examiner—Carmen H. Vales
Attorney, Agent, or Firm—Antonelli, Terry & Wands

[57] CLAIM

The ornamental design for a thermo electric cooling head-band, as shown.

DESCRIPTION

FIG. 1 is a front, top and right side perspective view of a thermo electric cooling head-band showing our new design;

FIG. 2 is a front elevational view thereof;

FIG. 3 is a rear elevational view thereof;

FIG. 4 is a top plane view thereof;

FIG. 5 is a right side elevational view thereof;

FIG. 6 is a bottom plane view thereof; and

FIG. 7 is a left side elevational view thereof.

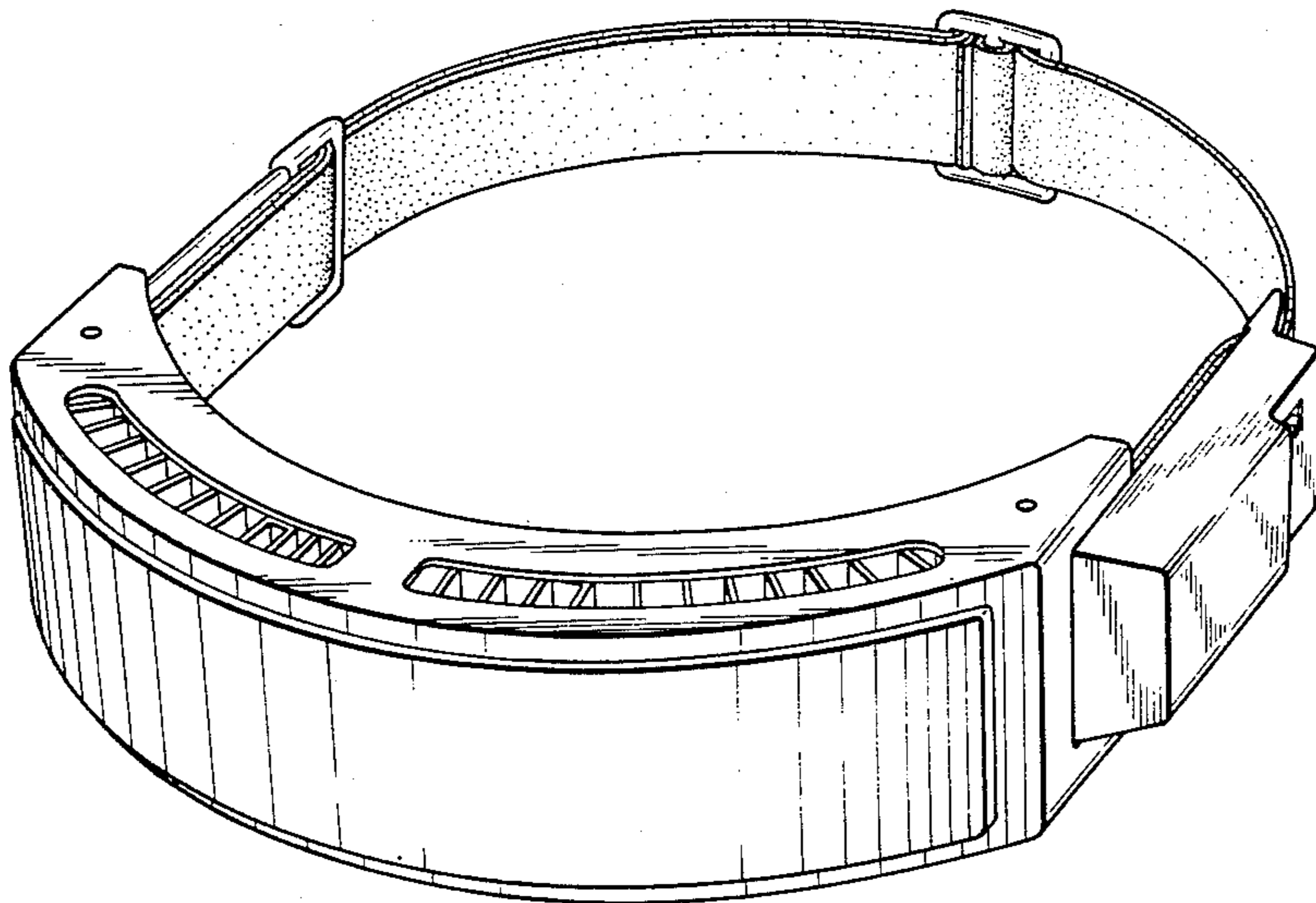


FIG. 1

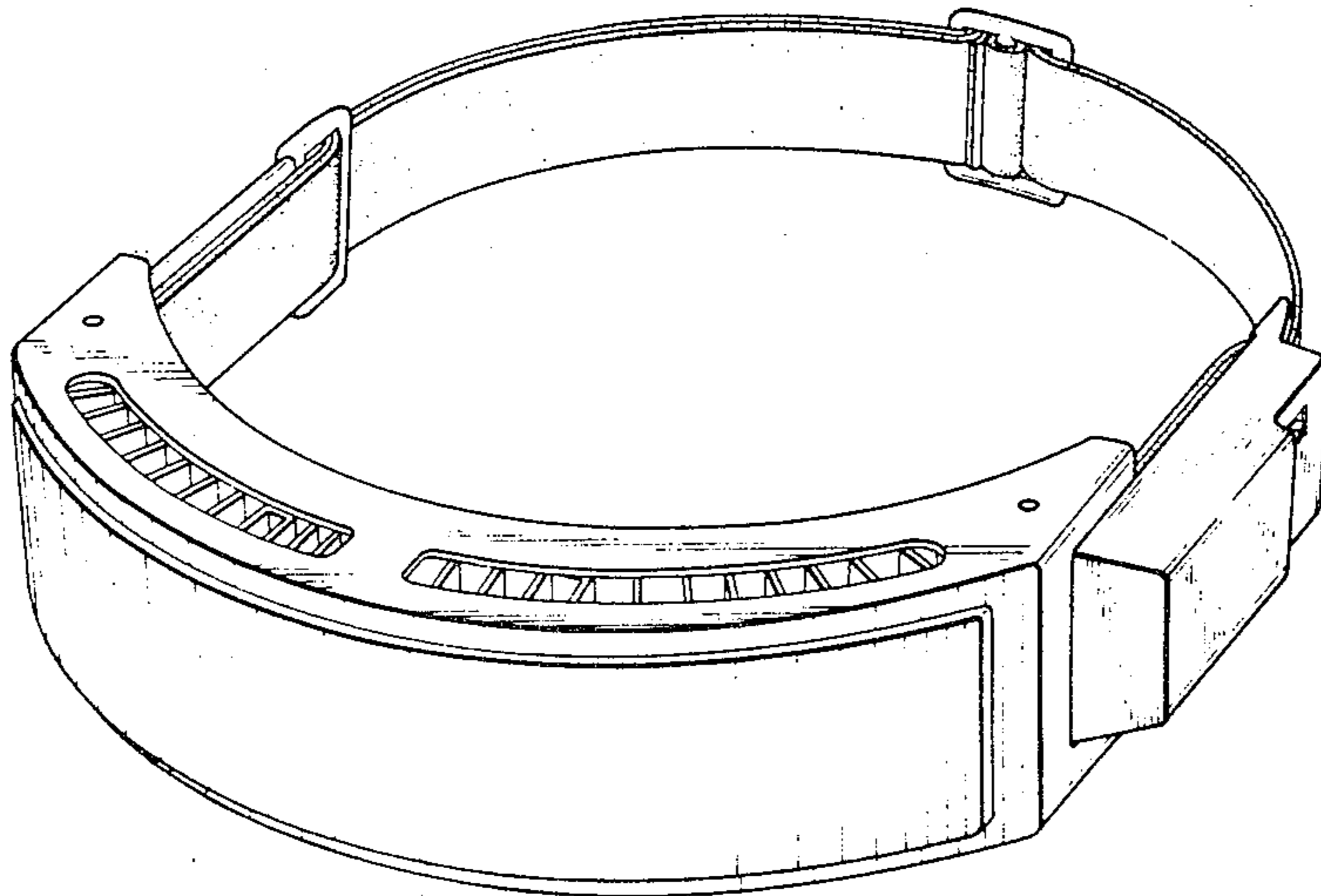


FIG. 2

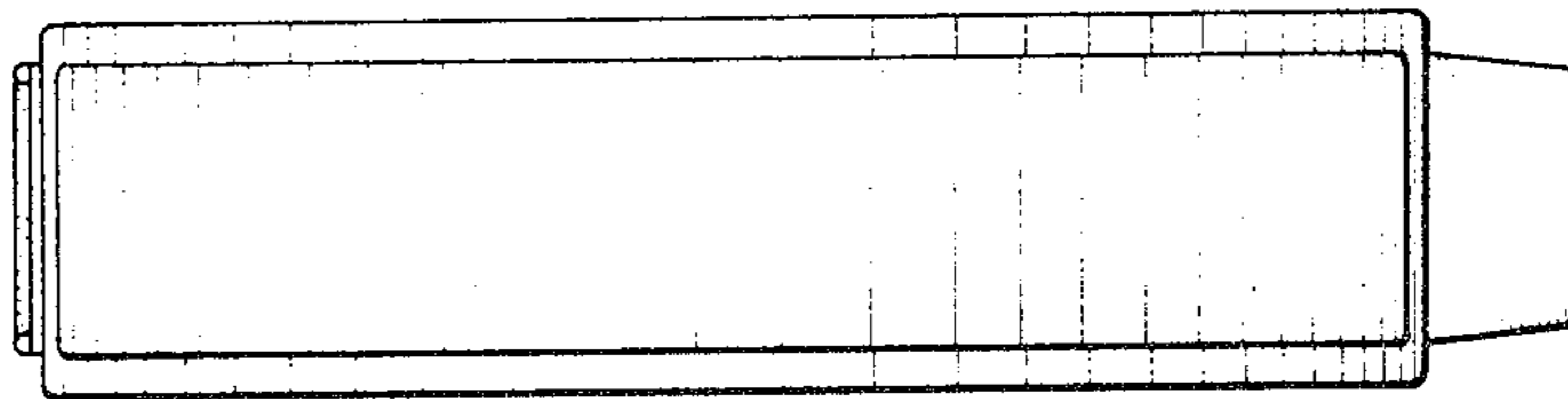


FIG. 3

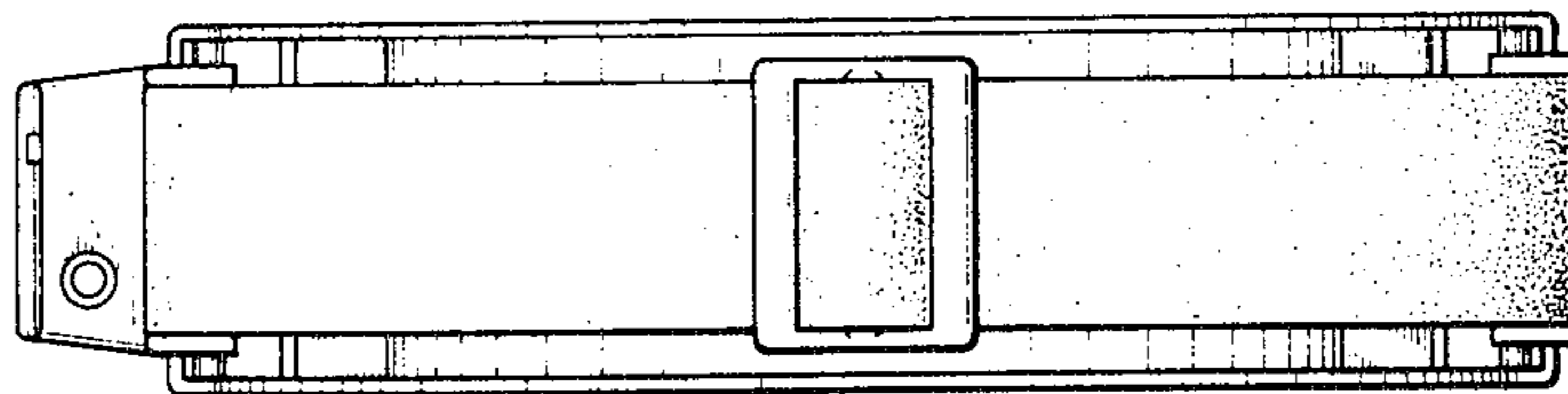


FIG. 4

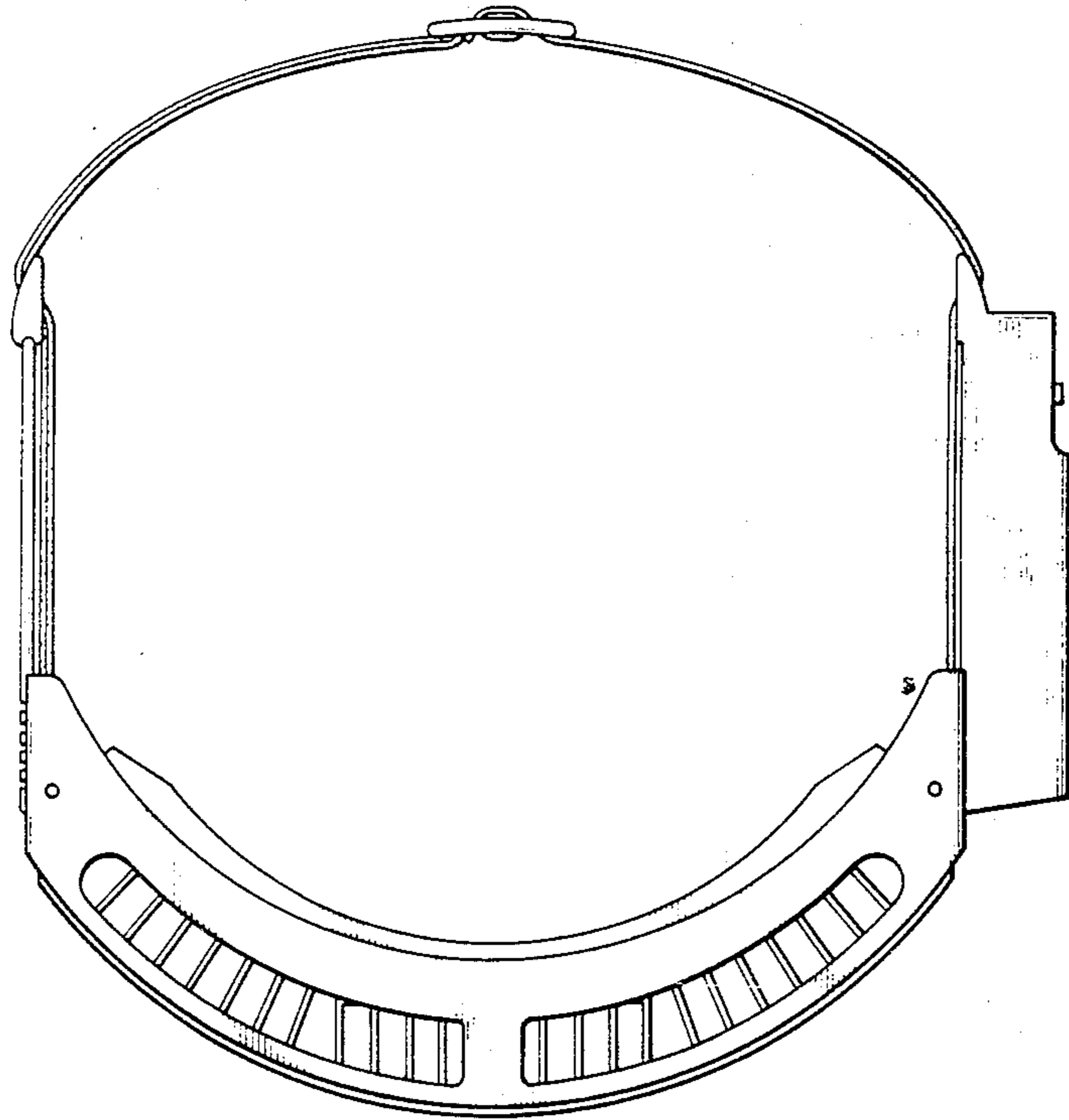


FIG. 5

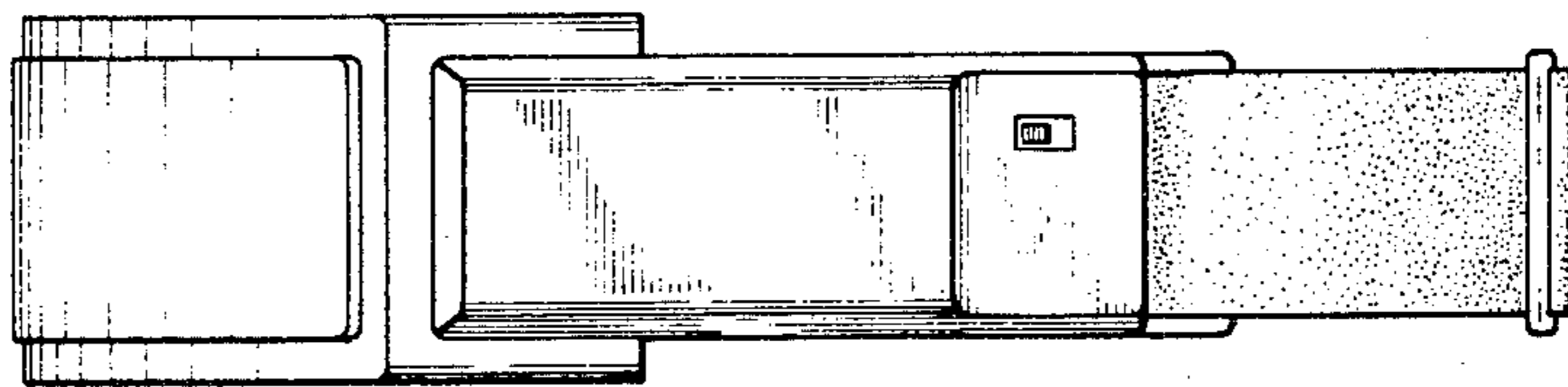


FIG. 6

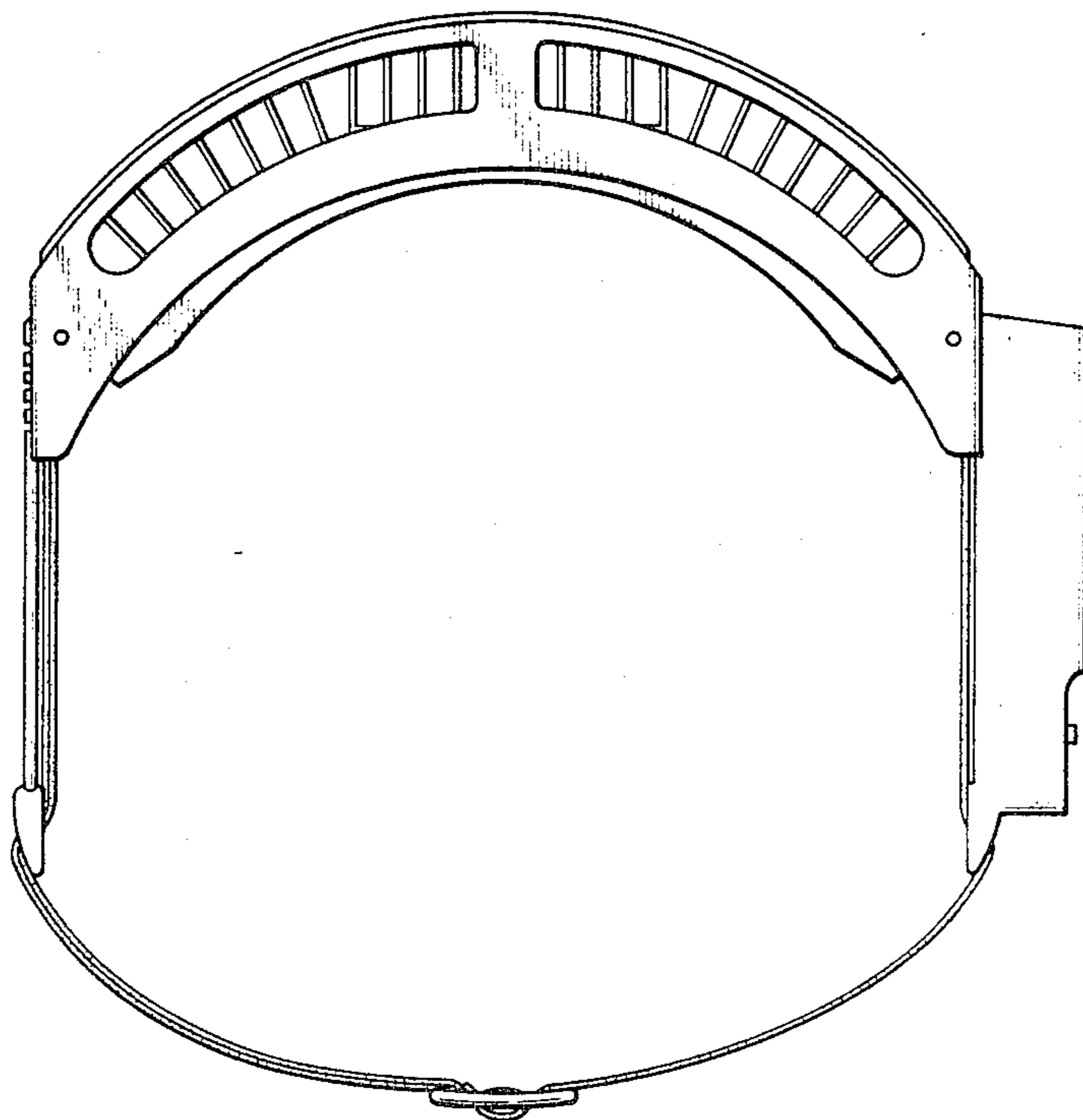


FIG. 7

