

[54] COSMETIC TRAY OR SIMILAR ARTICLE

[56] References Cited

U.S. PATENT DOCUMENTS

[76] Inventor: Elizabeth H. Mocek, 602 Hickory Dr., Lafayette, La. 70503

D. 199,111	9/1964	Hollins	D28/76 X
D. 217,684	5/1970	Stewart	D6/469 X
D. 279,743	7/1985	Kellogg	D6/467 X
3,239,069	3/1966	Hollins	206/385 X

[**] Term: 14 Years

Primary Examiner—Louis S. Zarfes
Attorney, Agent, or Firm—David L. Ray

[21] Appl. No.: 624,212

[57] CLAIM

The ornamental design for a cosmetic tray or similar article, as shown.

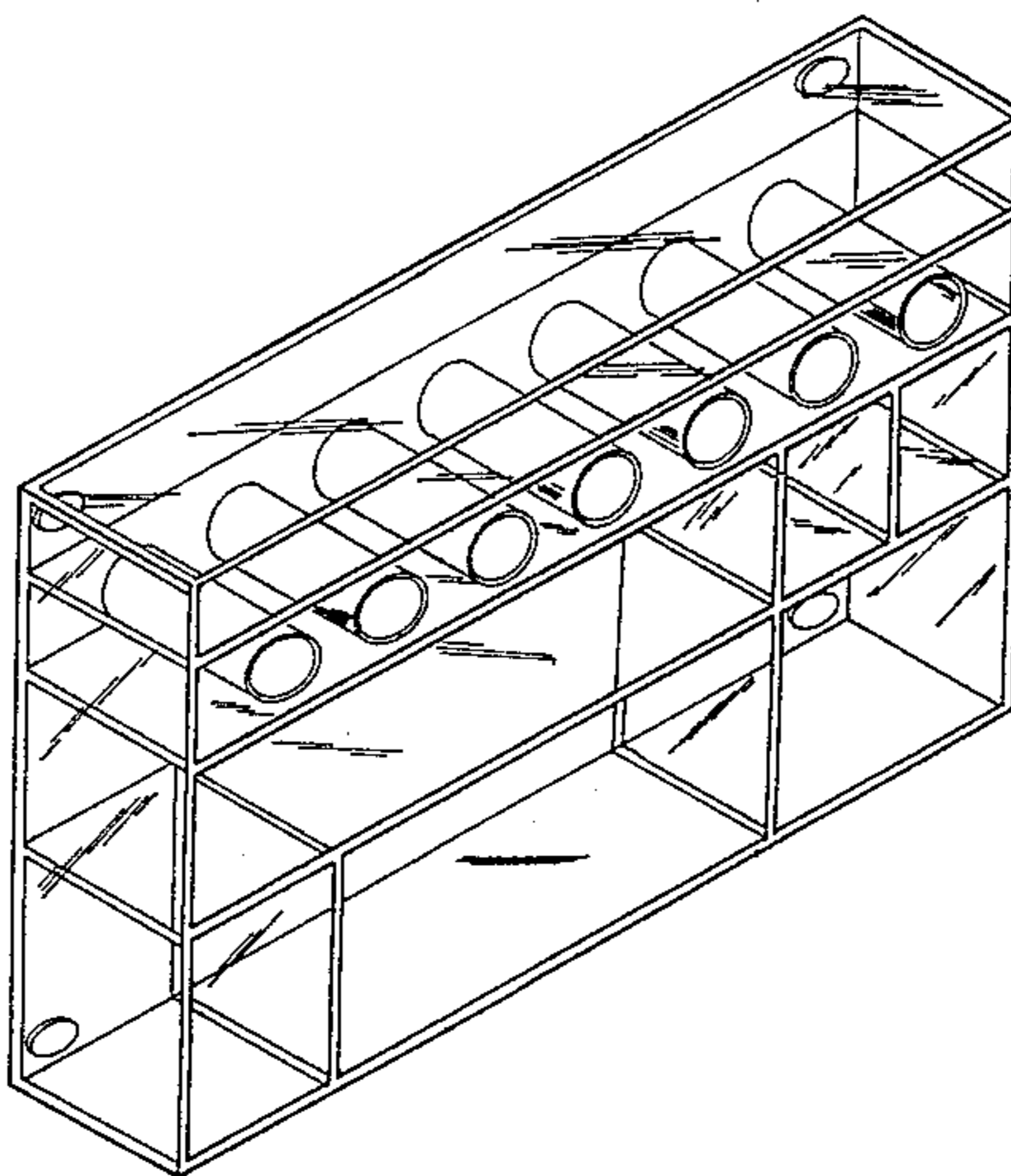
[22] Filed: Jun. 25, 1984

[52] U.S. Cl. D28/76

[58] Field of Search D28/38, 73, 76-79,
D28/82-86, 99; D3/39; D6/466, 467, 469, 524,
553, 567, 569, 570, 573, 574; D24/31; 206/235,
385, 581, 823, 557, 563, 564; 132/1 R, 1 A, 79
R, 79 S, 82 R, 82 A

DESCRIPTION

FIG. 1 is a front perspective view of a cosmetic tray or similar article showing my new design;
FIG. 2 is a top plan view thereof;
FIG. 3 is a front elevational view thereof;
FIG. 4 is a left side elevational view thereof;
FIG. 5 is a rear elevational view thereof; and
FIG. 6 is a bottom plan view thereof.



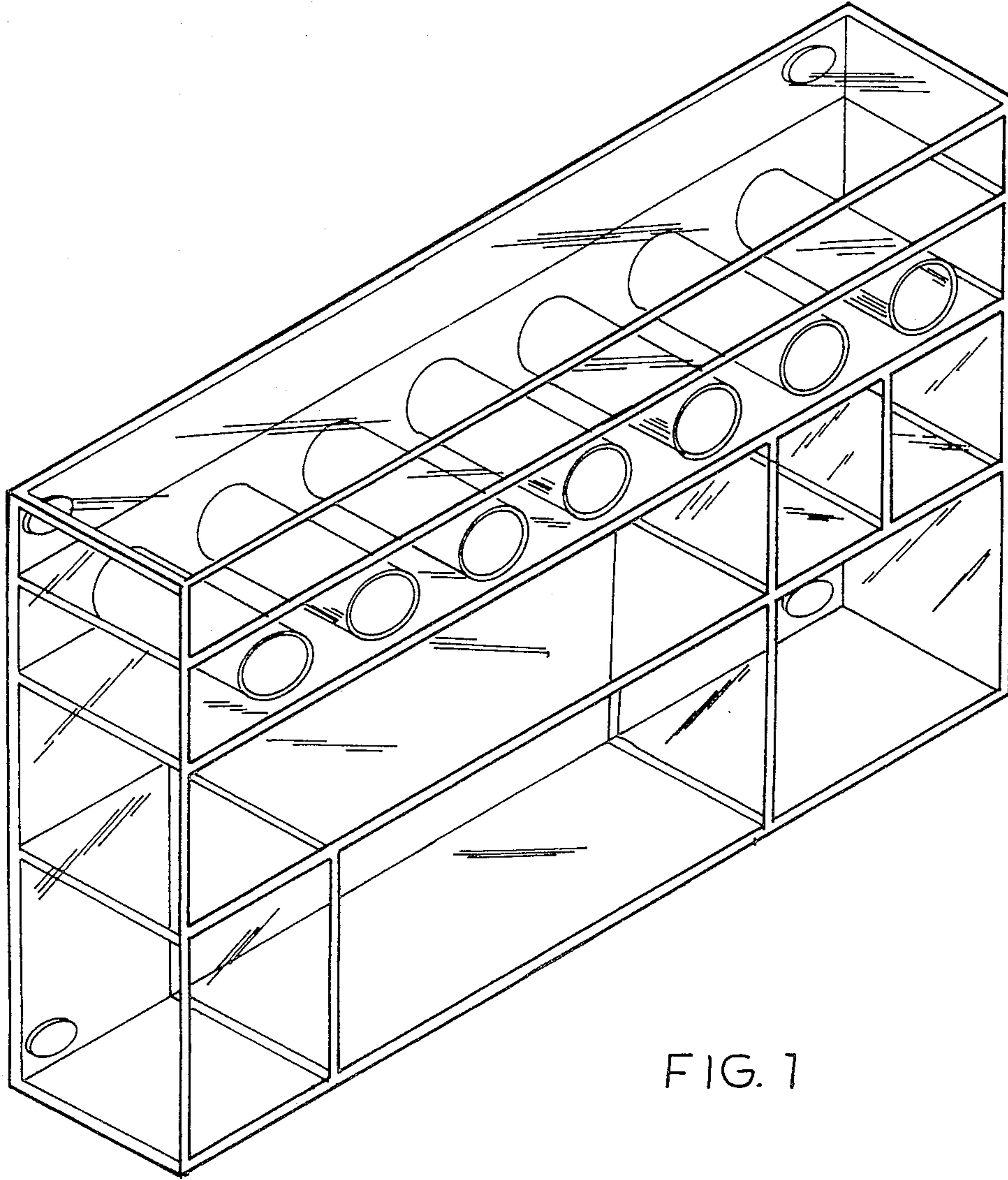


FIG. 1

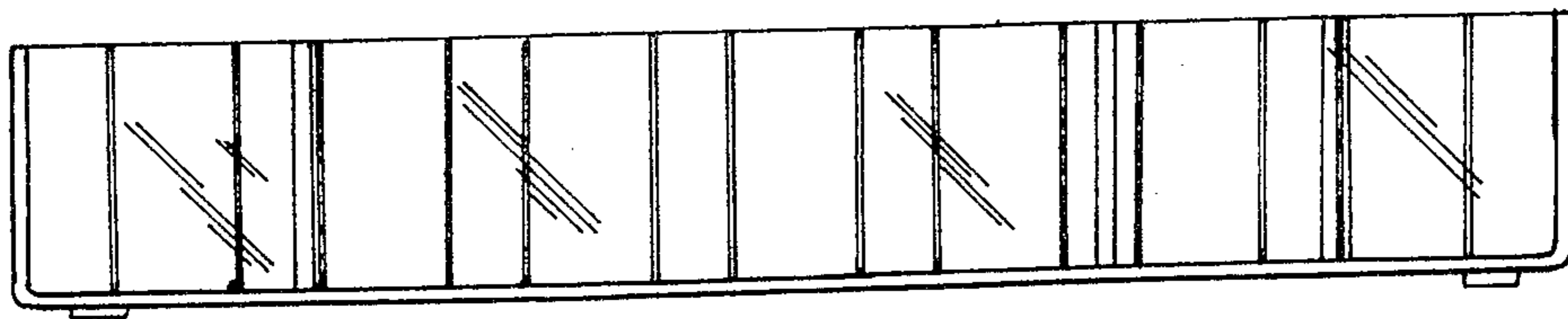


FIG. 2

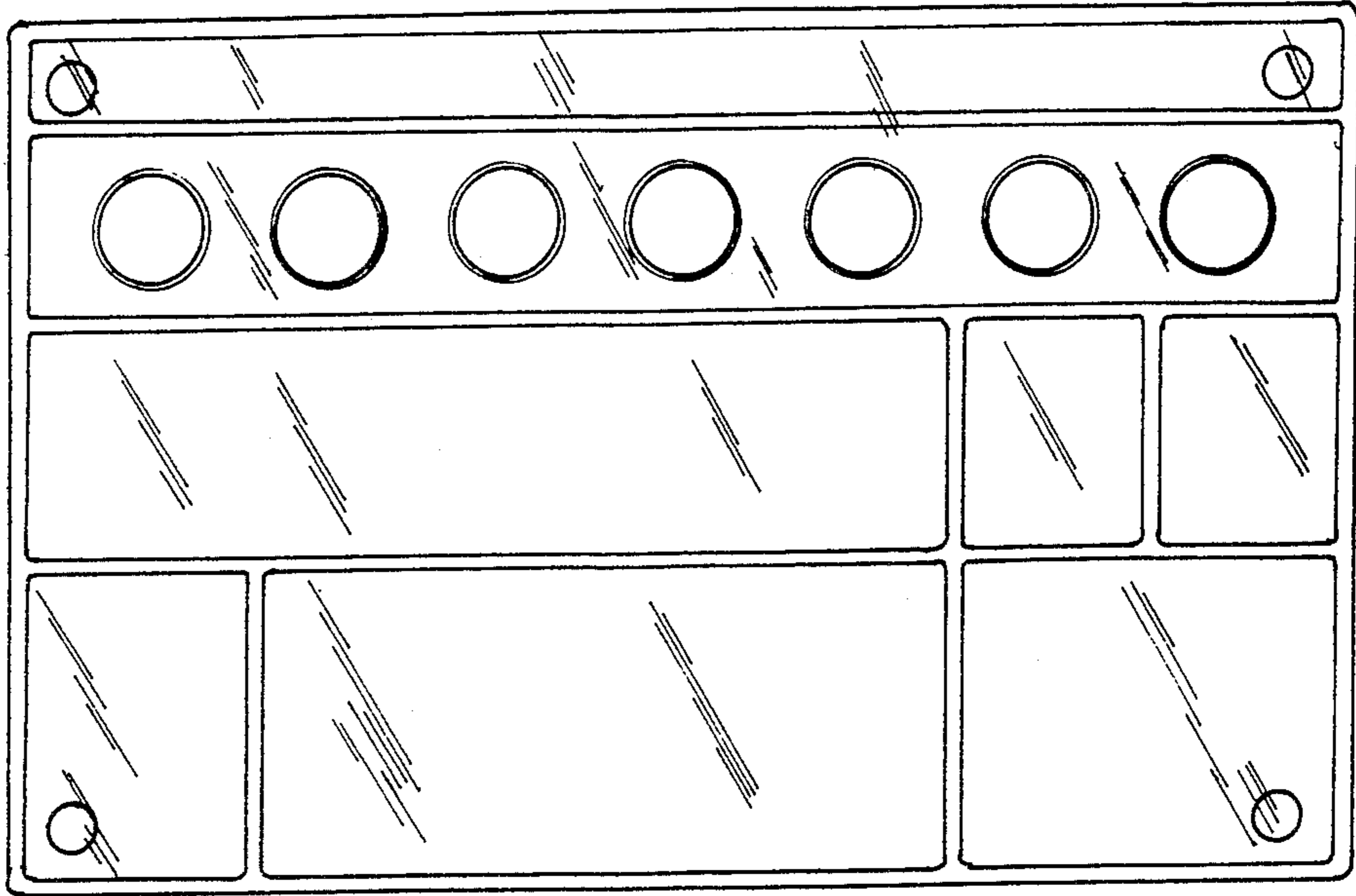


FIG. 3

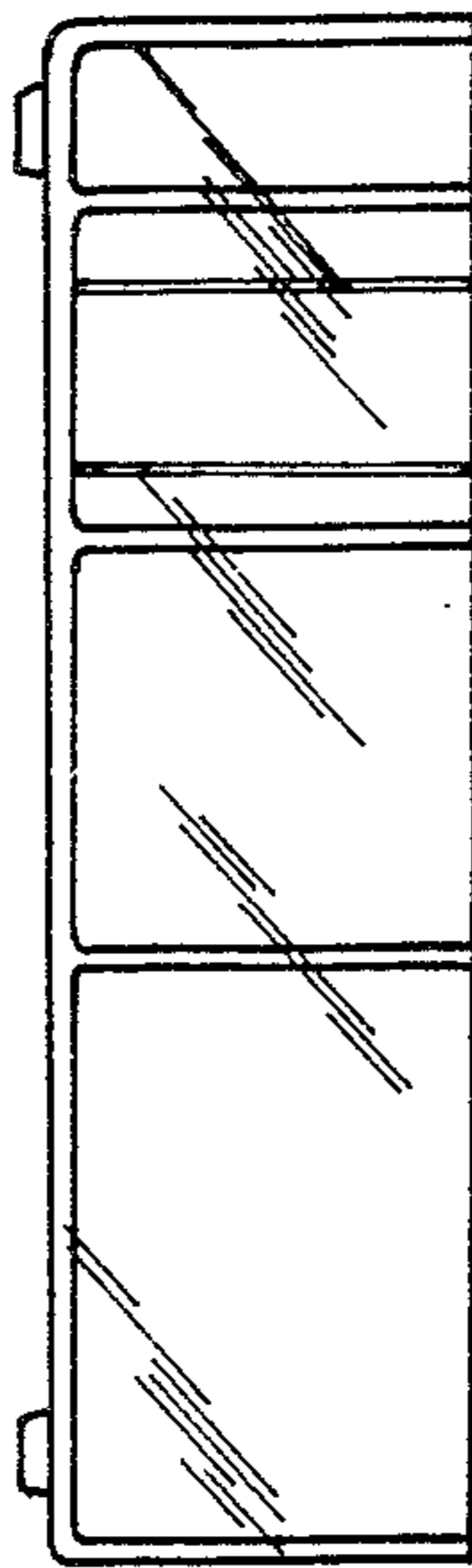


FIG. 4

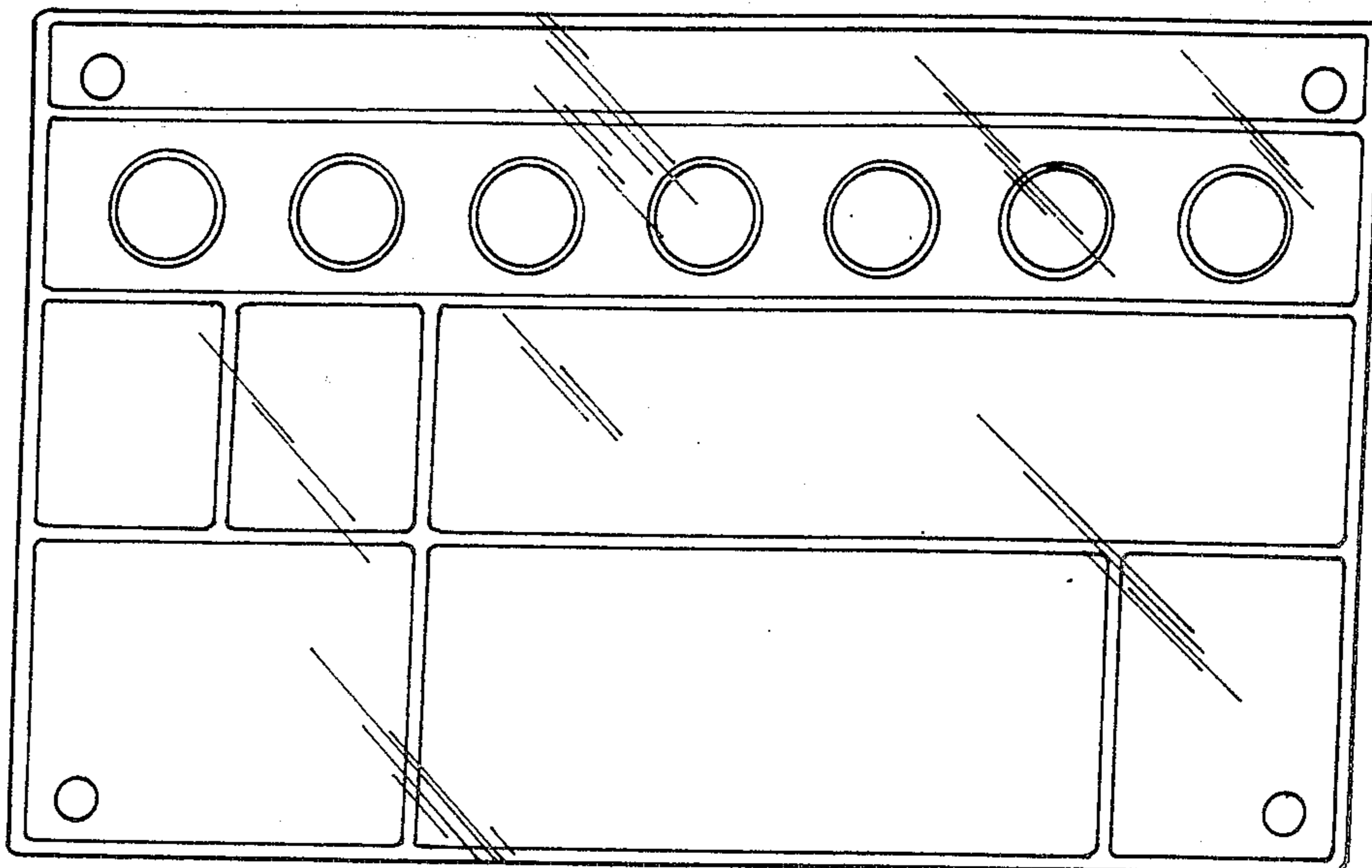


FIG. 5

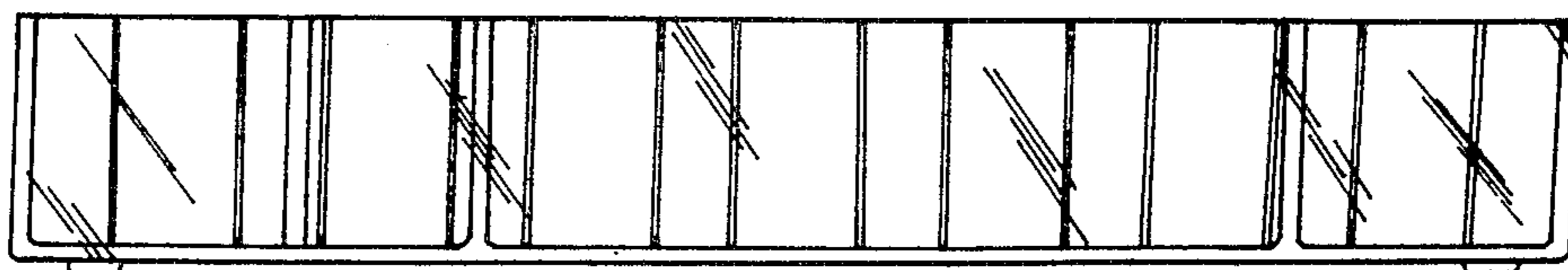


FIG. 6