

[54] ASHTRAY

[76] Inventor: Charles W. Cramer, 13496 Pike Lake Trail NE., Prior Lake, Minn. 55372

[\*\*] Term: 14 Years

[21] Appl. No.: 728,526

[22] Filed: Apr. 29, 1985

[52] U.S. Cl. .... D27/22

[58] Field of Search ..... D27/8-29;  
131/231, 235.1, 240.1, 242

[56] References Cited

U.S. PATENT DOCUMENTS

- D. 199,716 12/1964 Gluck ..... D27/22
- D. 200,383 2/1965 Gluck ..... D27/22 X
- D. 230,525 2/1974 Peterson ..... D27/22

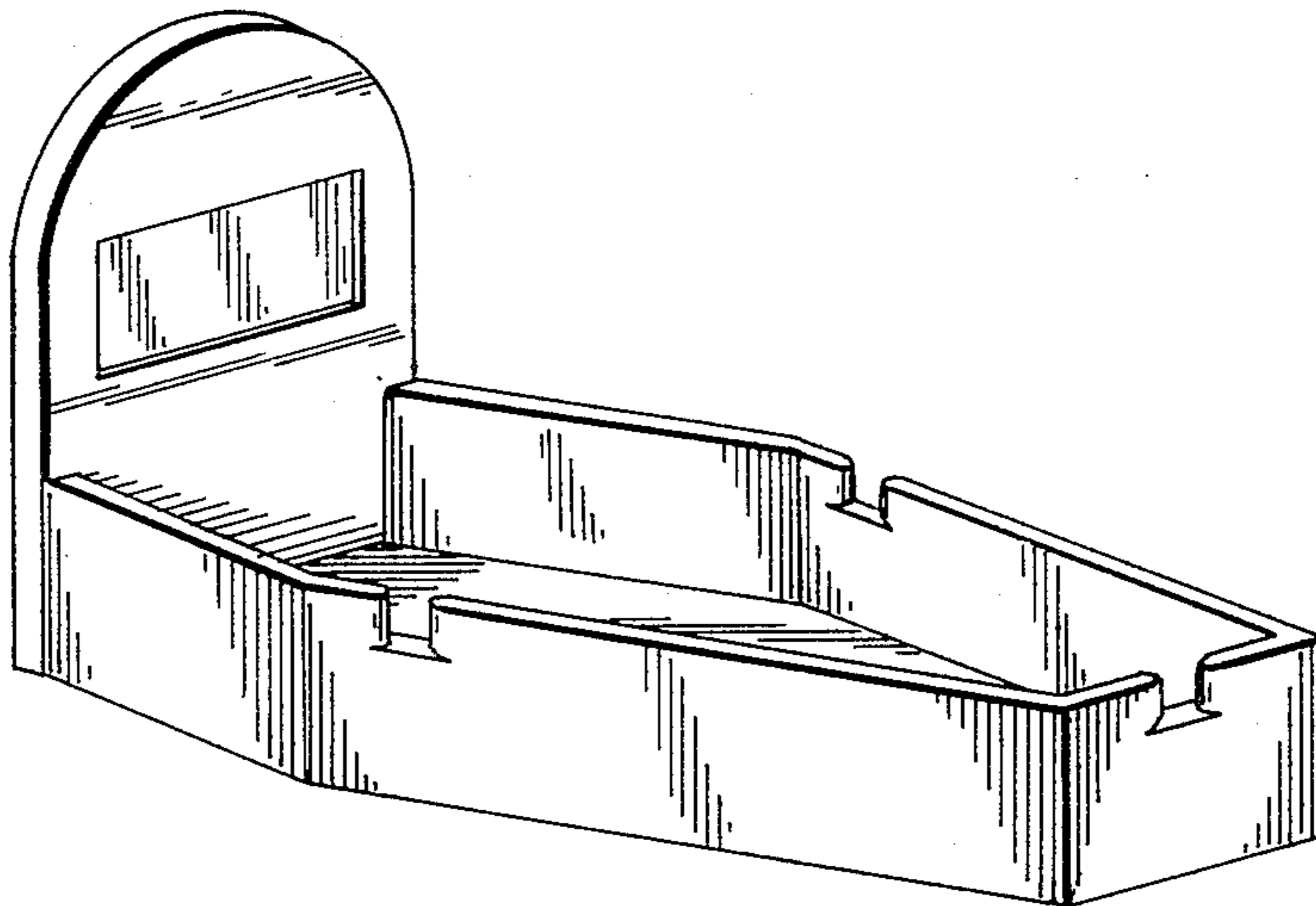
Primary Examiner—Catherine E. Kemper  
Attorney, Agent, or Firm—Kinney & Lange

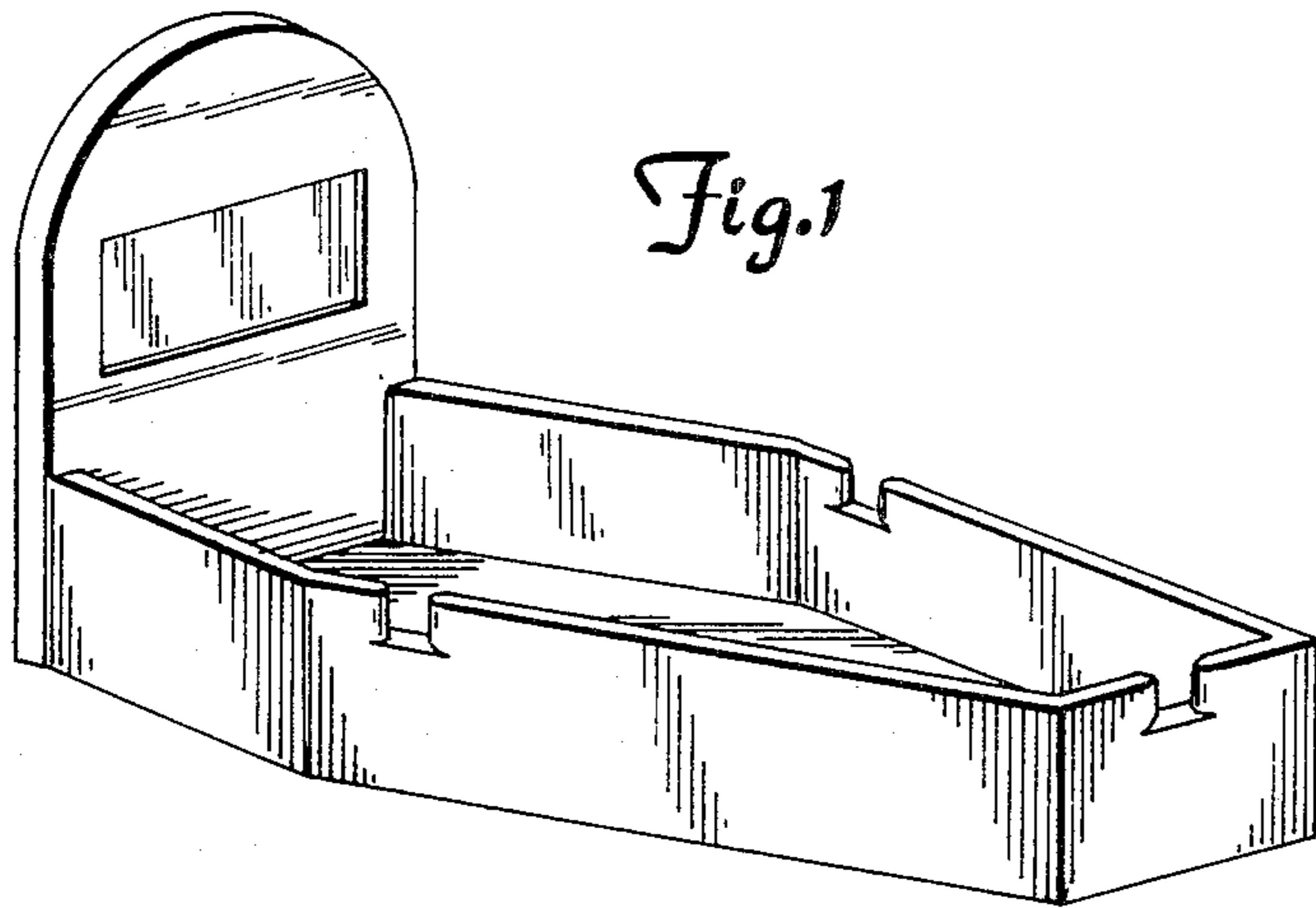
[57] CLAIM

The ornamental design for an ashtray, substantially as shown and described.

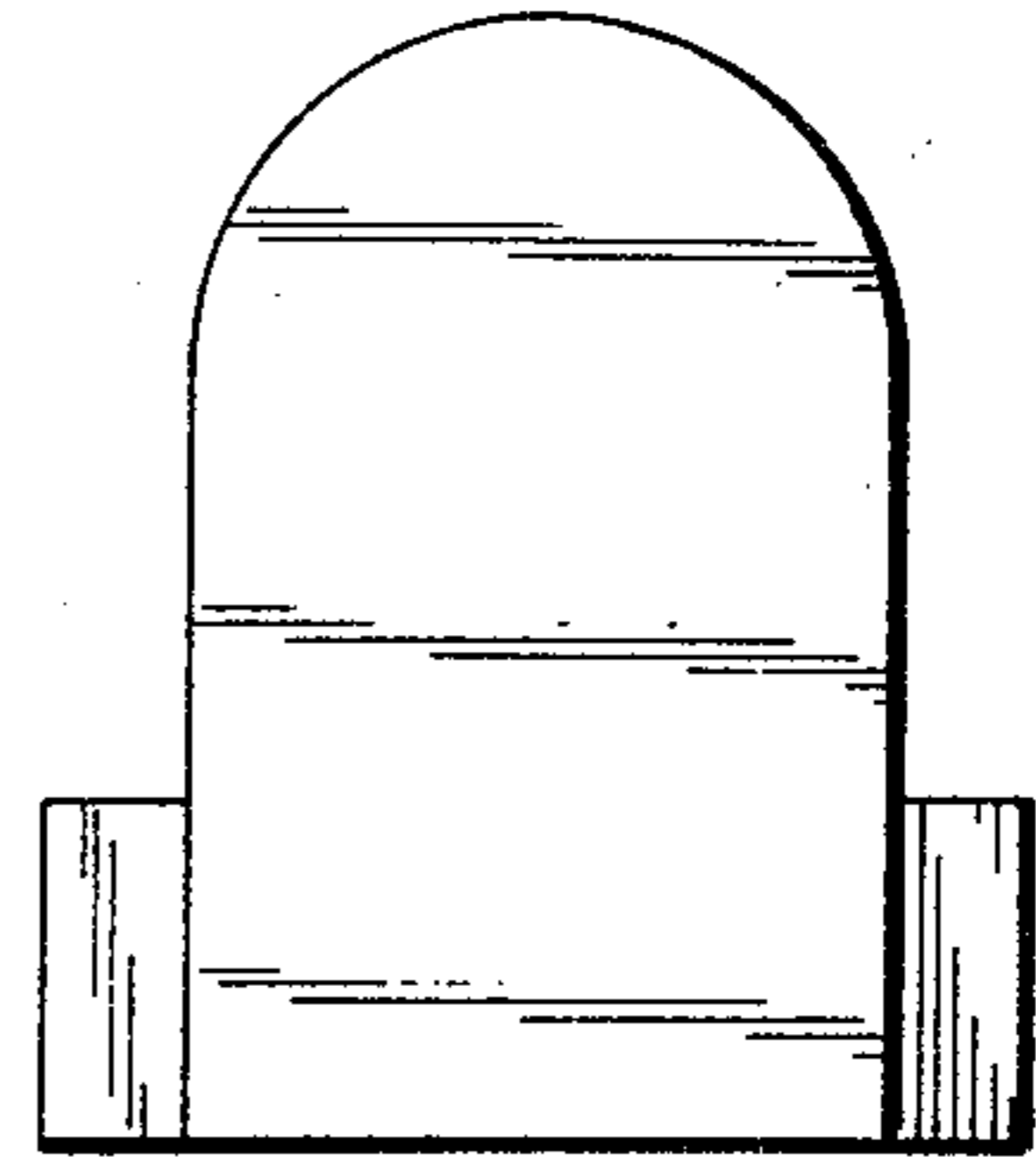
DESCRIPTION

FIG. 1 is a perspective view of an ashtray showing my new design;  
 FIG. 2 is an elevational view from the left end thereof;  
 FIG. 3 is an elevational view from the right end thereof;  
 FIG. 4 is a left side elevational view thereof, the left side elevational view and the right side elevational view being similar;  
 FIG. 5 is a bottom plan view thereof; and  
 FIG. 6 is a top view thereof.

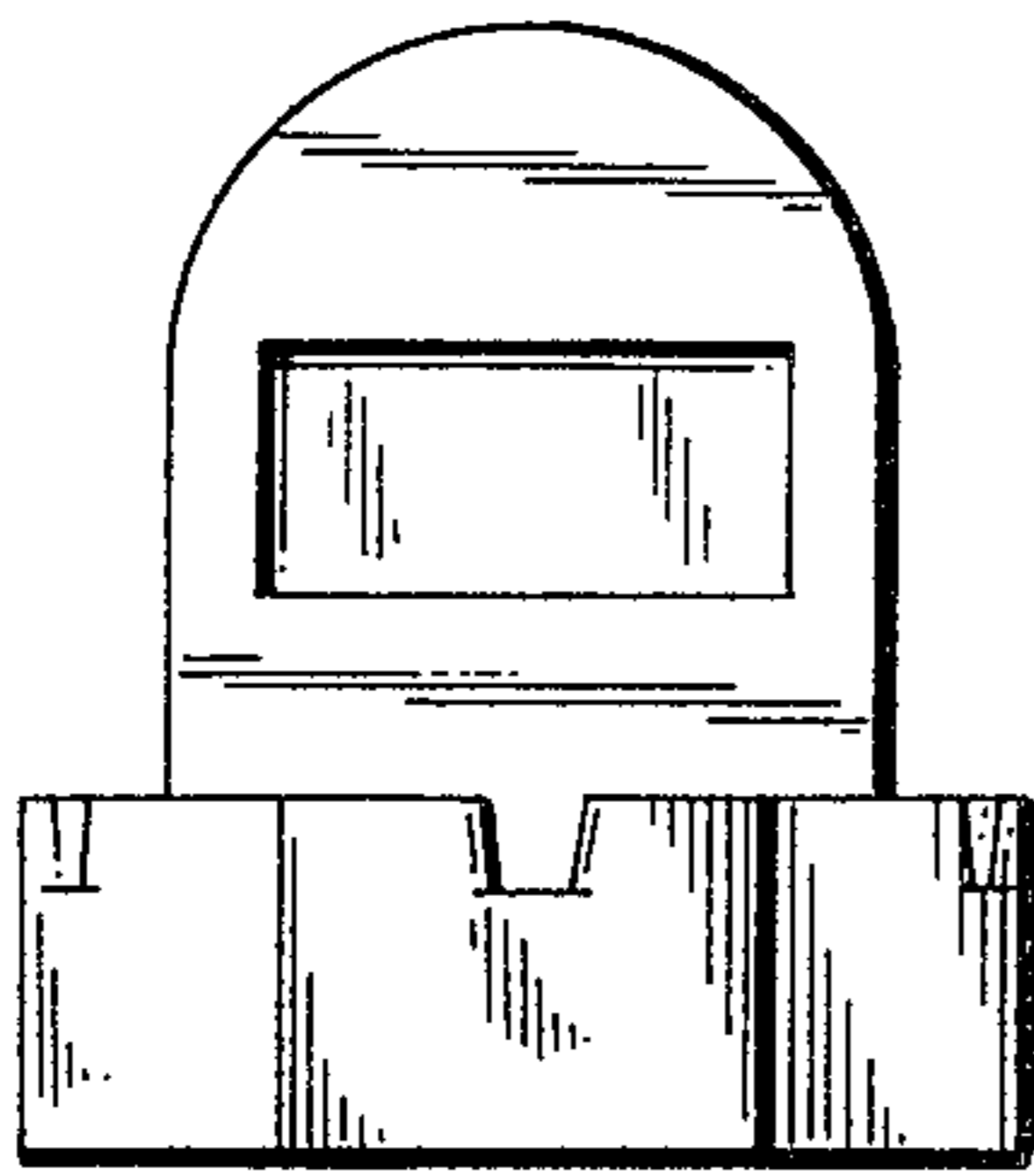




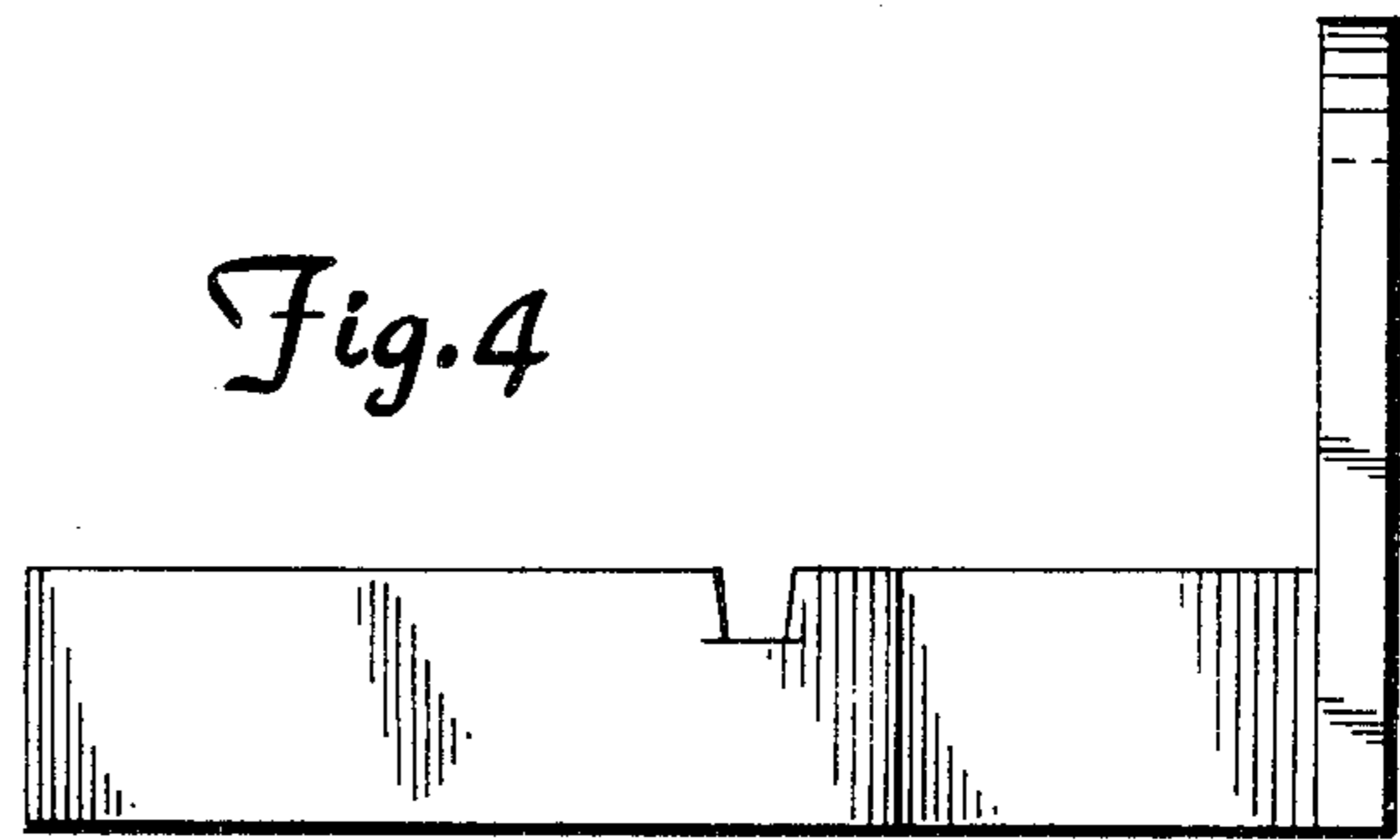
*Fig. 1*



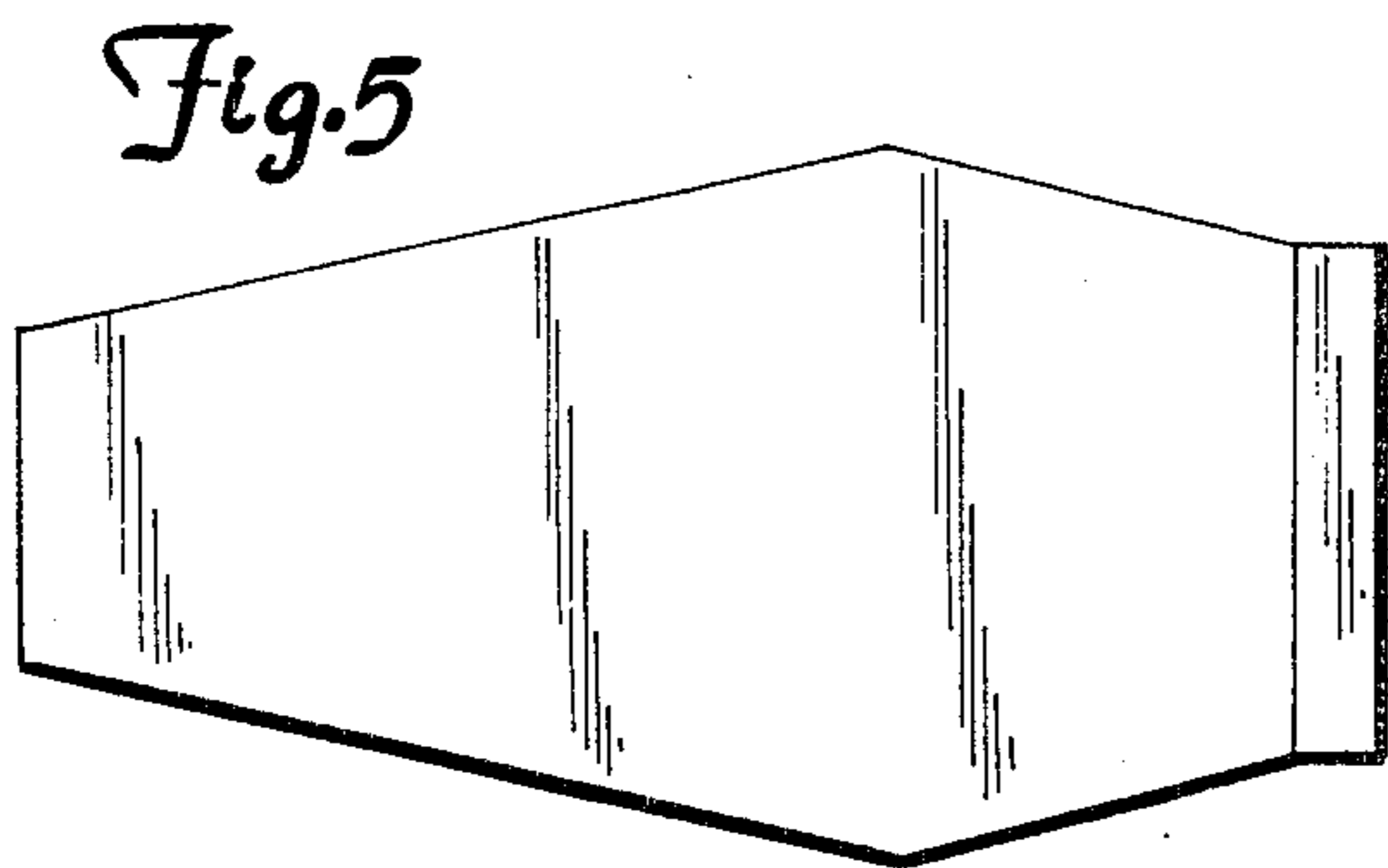
*Fig. 2*



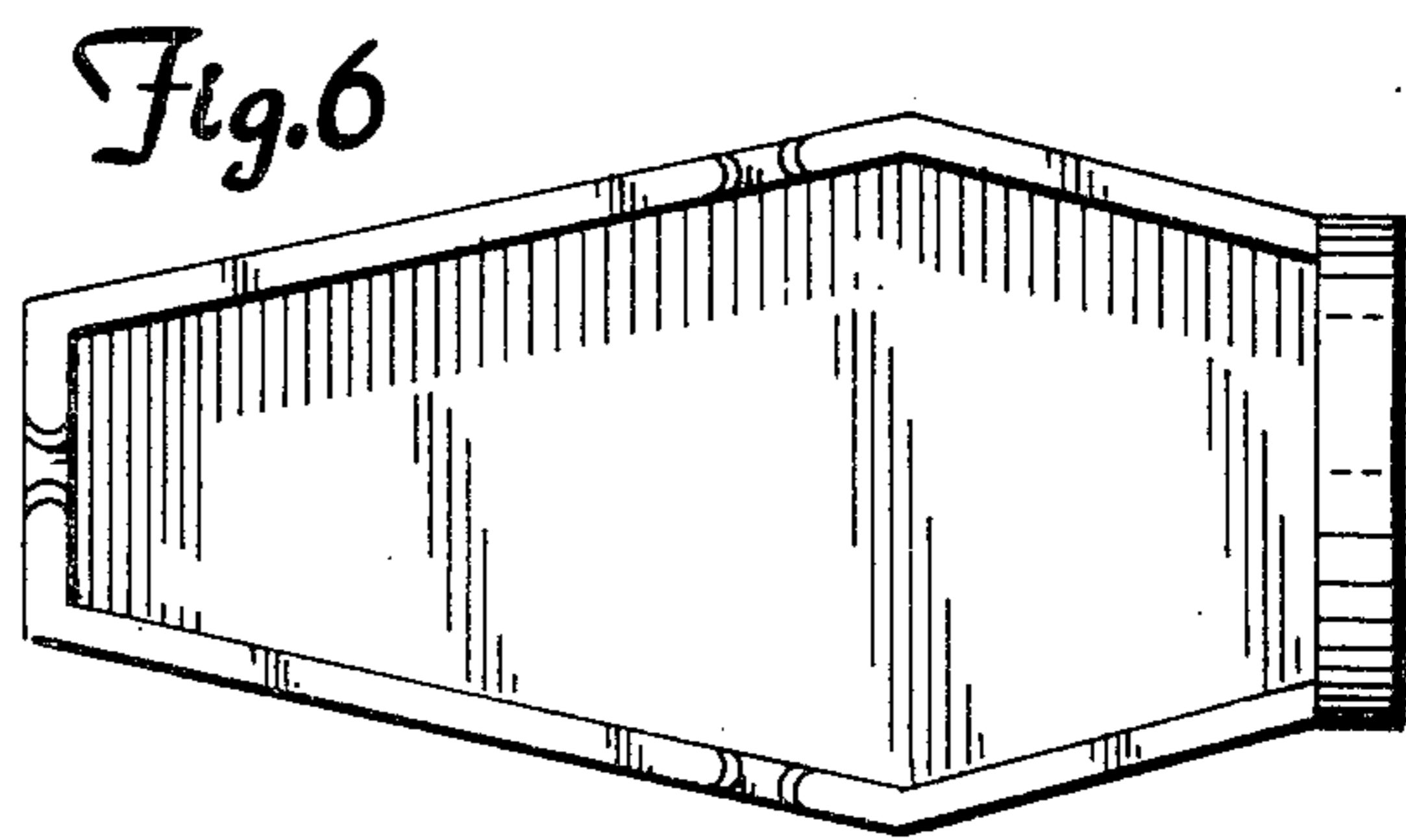
*Fig. 3*



*Fig. 4*



*Fig. 5*



*Fig. 6*