

[54] TRACK LIGHT FIXTURE

[75] Inventors: Raymond J. Kusmer, Elgin; Raymond K. Tinley, Mt. Prospect, both of Ill.

[73] Assignee: Cooper Industries, Inc., Houston, Tex.

[**] Term: 14 Years

[21] Appl. No.: 578,871

[22] Filed: Feb. 10, 1984

[52] U.S. Cl. D26/65

[58] Field of Search D26/24, 60-66; 362/269, 275, 277, 285, 297, 311, 404, 418, 427, 362

[56] References Cited

U.S. PATENT DOCUMENTS

3,725,695 4/1973 Eversberg et al. D26/63 X

OTHER PUBLICATIONS

Design, 10-1973, p. 16, Lumitron Spotlight (bottom).

Primary Examiner—Susan J. Lucas

Attorney, Agent, or Firm—Eddie E. Scott; Alan R. Thiele

[57] CLAIM

The ornamental design for a track light fixture, as shown.

DESCRIPTION

FIG. 1 is a perspective view of a track light fixture showing our new design;

FIG. 2 is a right side elevational view thereof;

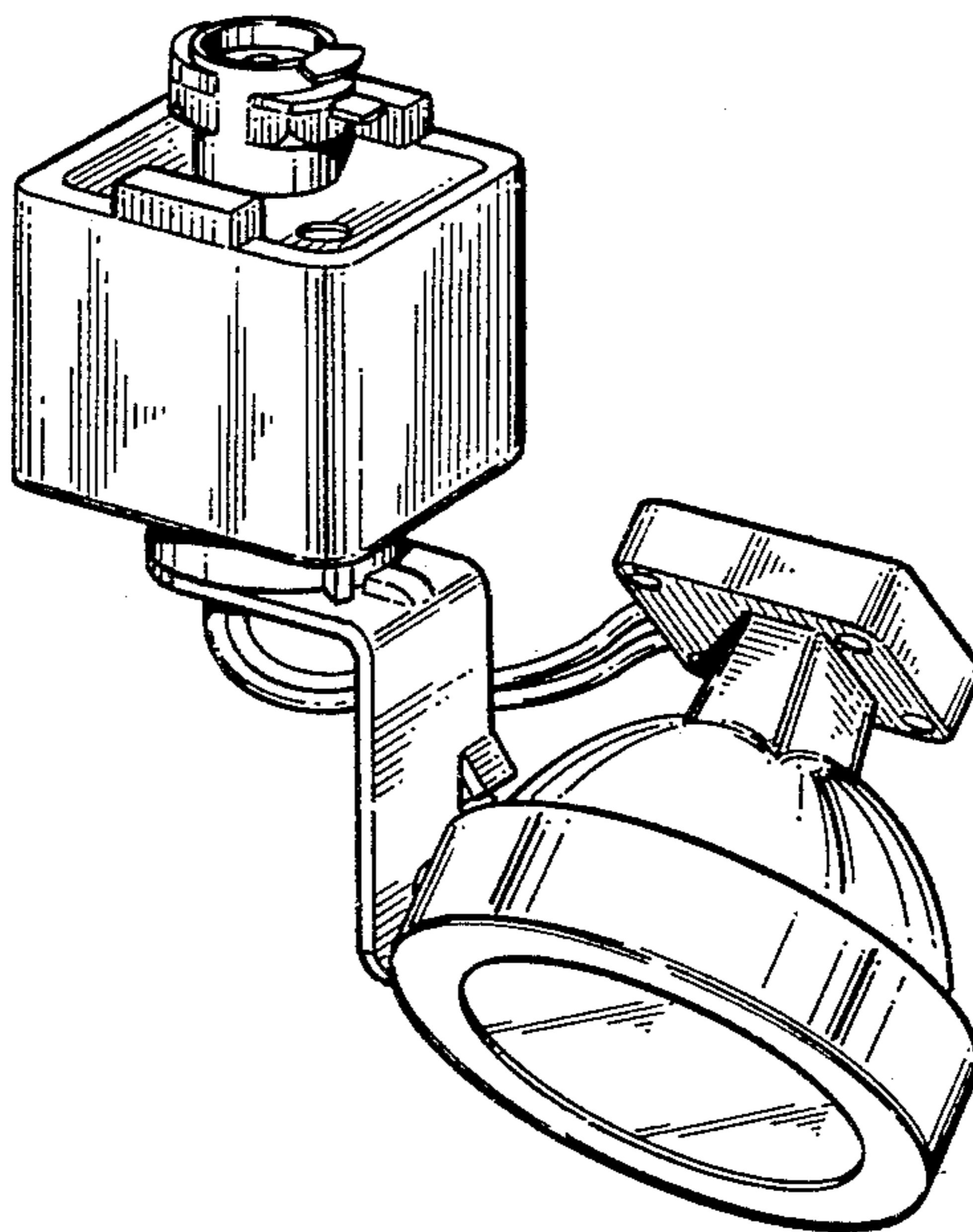
FIG. 3 is a front elevational view thereof;

FIG. 4 is a rear elevational view thereof;

FIG. 5 is a left side elevational view thereof;

FIG. 6 is a top plan view thereof; and

FIG. 7 is a bottom plan view thereof.



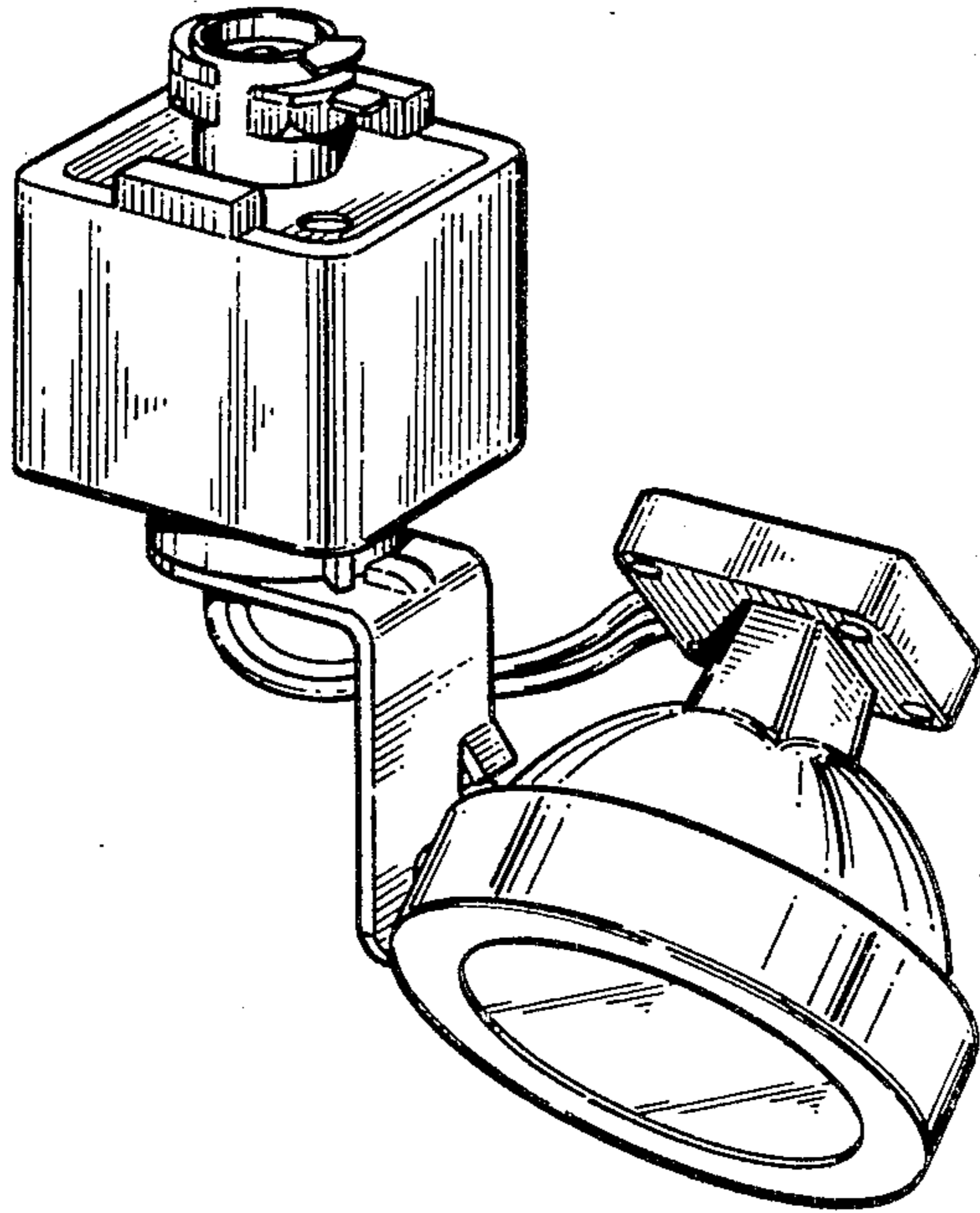


Fig. 1

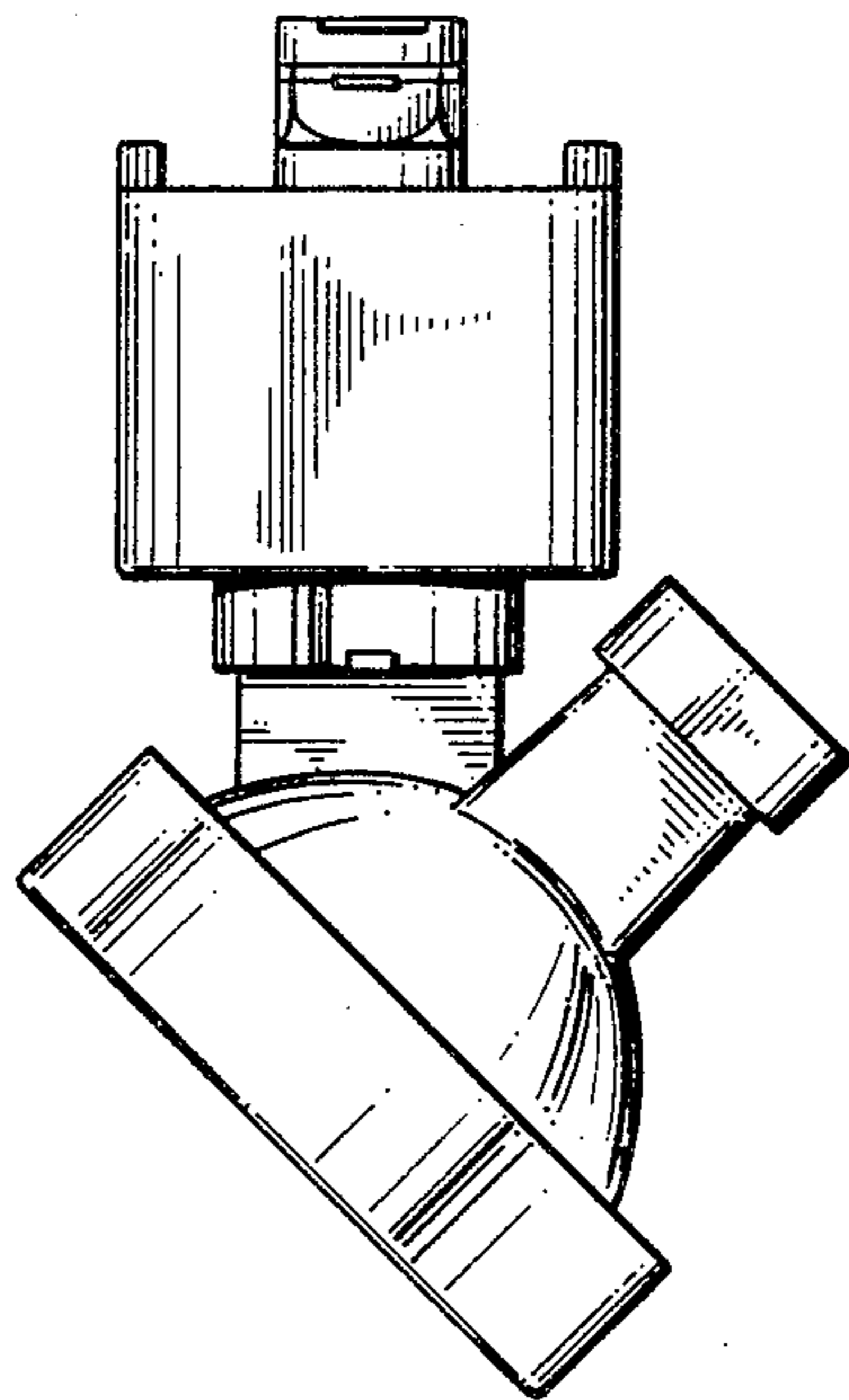


Fig. 2

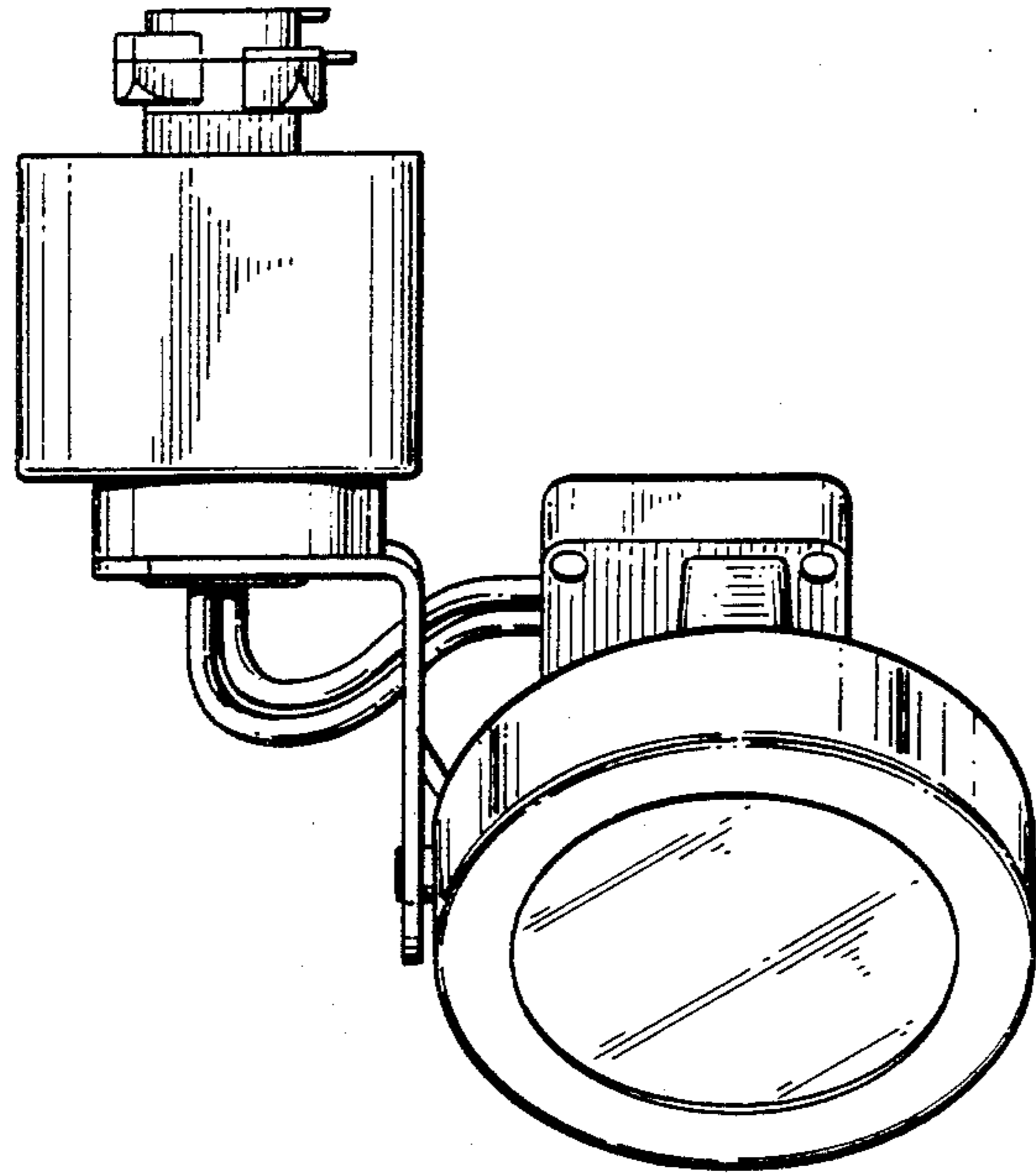


Fig. 3

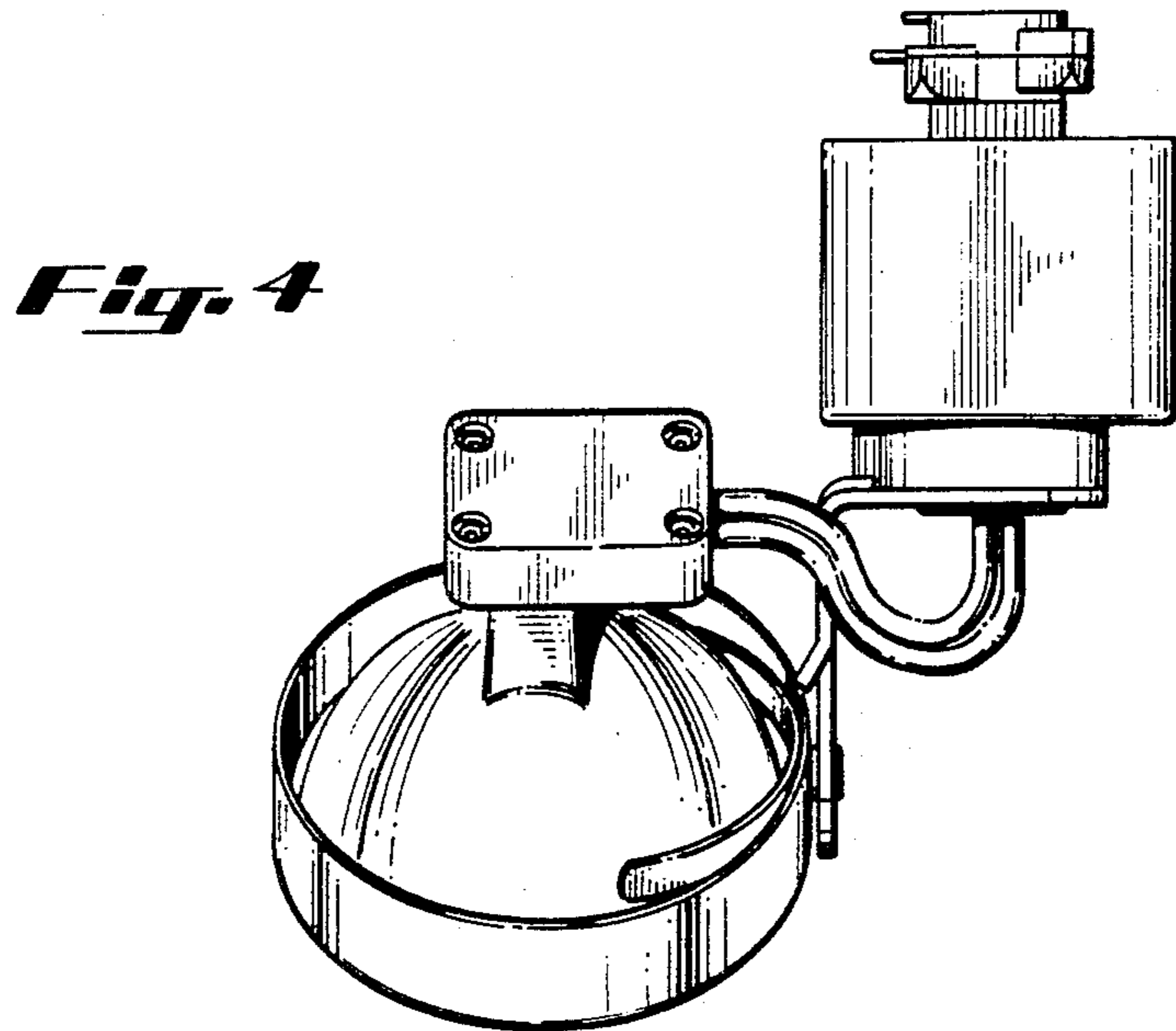


Fig. 4

Fig. 5

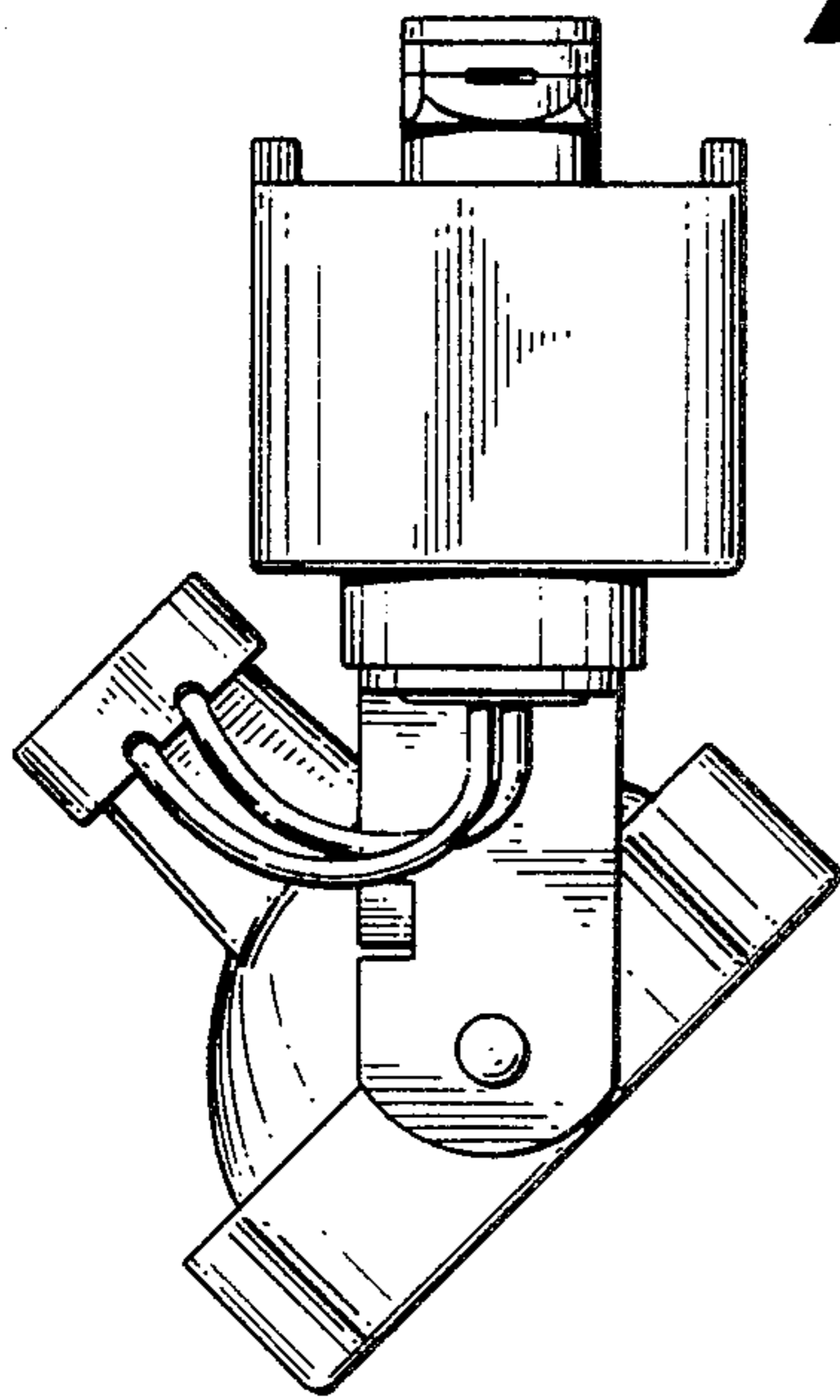


Fig. 6

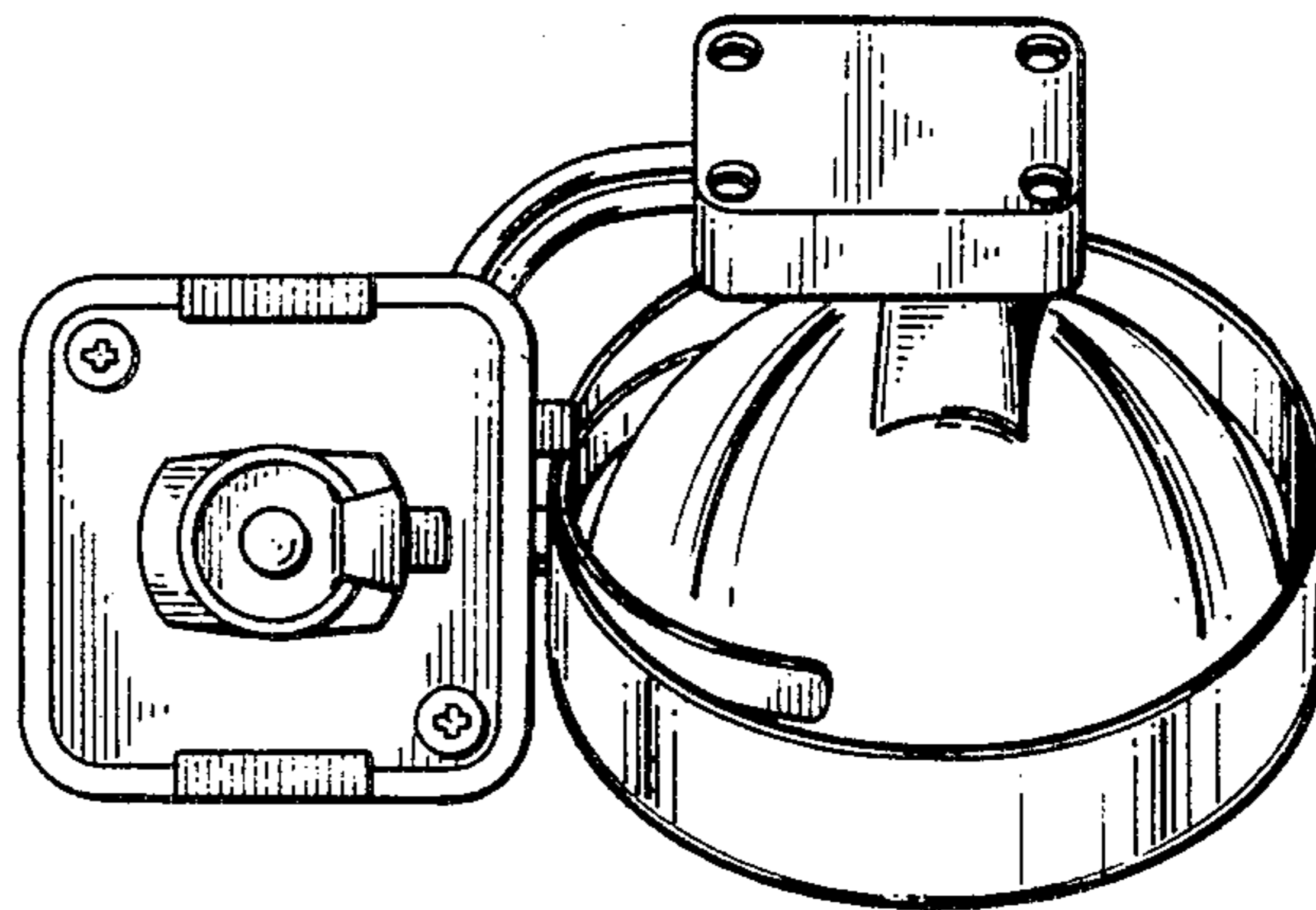


Fig. 7

