

[54] PORTABLE READING LIGHT

[75] Inventor: May Fung, Hong Kong, Hong Kong

[73] Assignee: Etna Products Co., Inc., New York, N.Y.

[**] Term: 14 Years

[21] Appl. No.: 607,151

[22] Filed: May 4, 1984

[30] Foreign Application Priority Data

Mar. 30, 1984 [GB] United Kingdom 1018839

[52] U.S. Cl. D26/60; D26/65

[58] Field of Search D26/60-66; 362/410-414, 418, 427, 269, 277, 285, 157, 183, 191, 199, 198, 98, 99, 396

[56] References Cited

U.S. PATENT DOCUMENTS

D. 271,526 11/1983 Zeller D26/60

D. 275,424 9/1984 Albano D26/60

2,524,461 10/1950 McDowell D26/63 X

2,561,744 7/1951 Langdon et al. 362/199 X

Primary Examiner—Susan J. Lucas

Attorney, Agent, or Firm—Ostrolenk, Faber, Gerb & Soffen

[57] CLAIM

The ornamental design for portable reading light, as shown and described.

DESCRIPTION

FIG. 1 is a right side perspective view of a portable reading light showing my new design;

FIG. 2 is a left side perspective view thereof;

FIG. 3 is a left side elevational view thereof, the light in collapsed condition;

FIG. 4 is a top plan view thereof;

FIG. 5 is a right side elevational view thereof;

FIG. 6 is a bottom plan view thereof;

FIG. 7 is an end elevational view thereof, as seen from the left of FIG. 4;

FIG. 8 is an end elevational view thereof as seen from the right of FIG. 4.

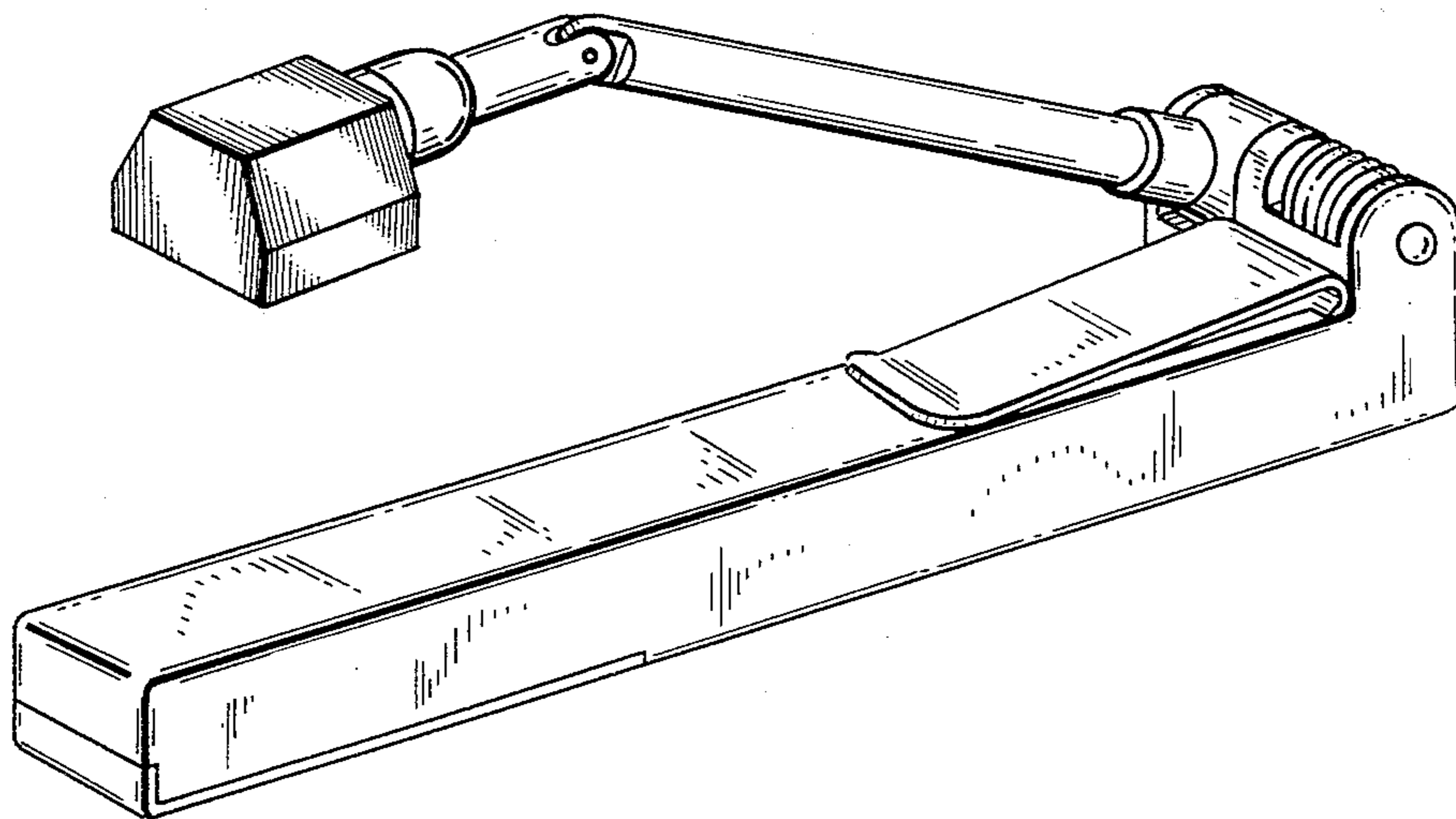


FIG. 1.

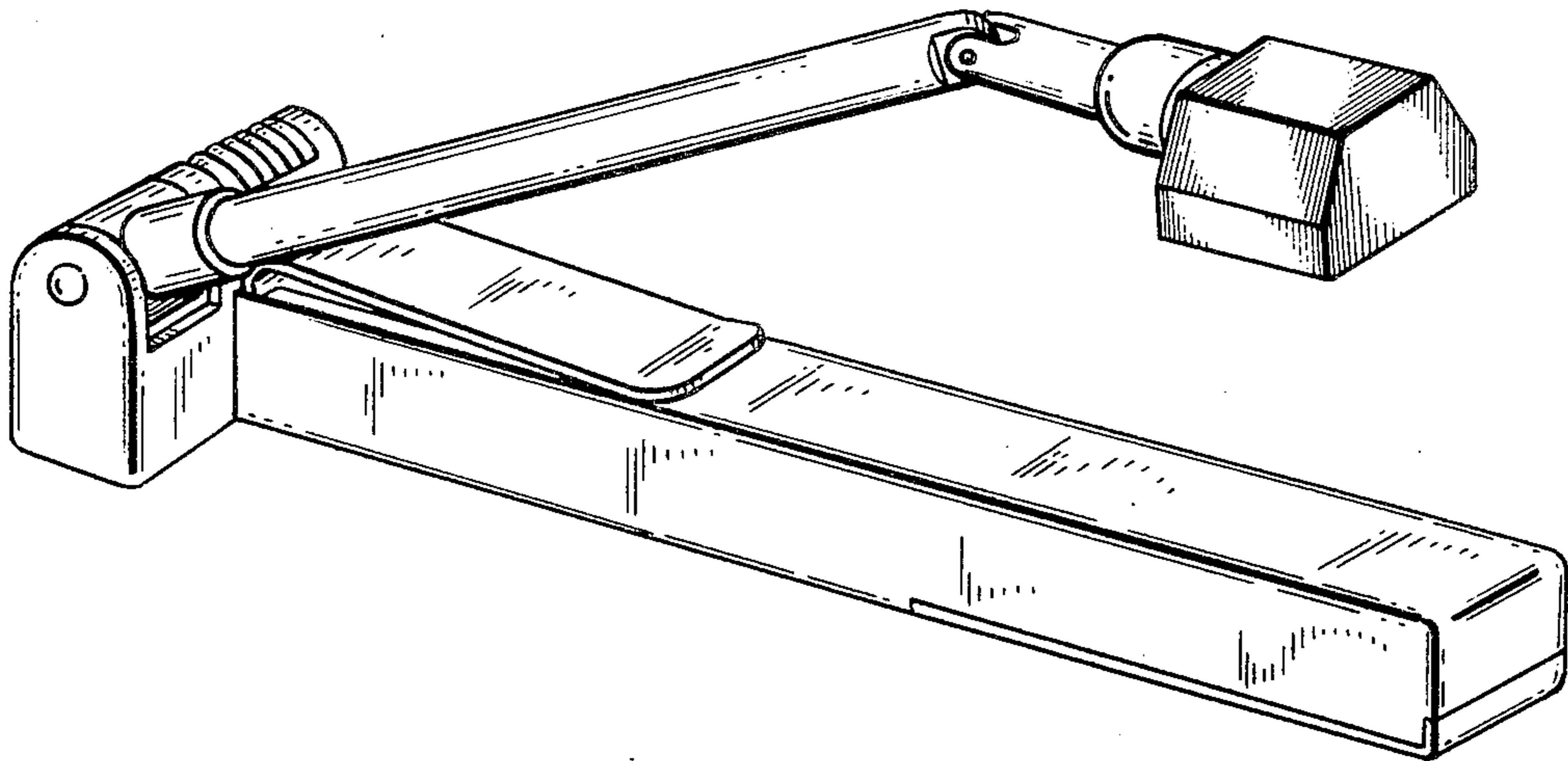
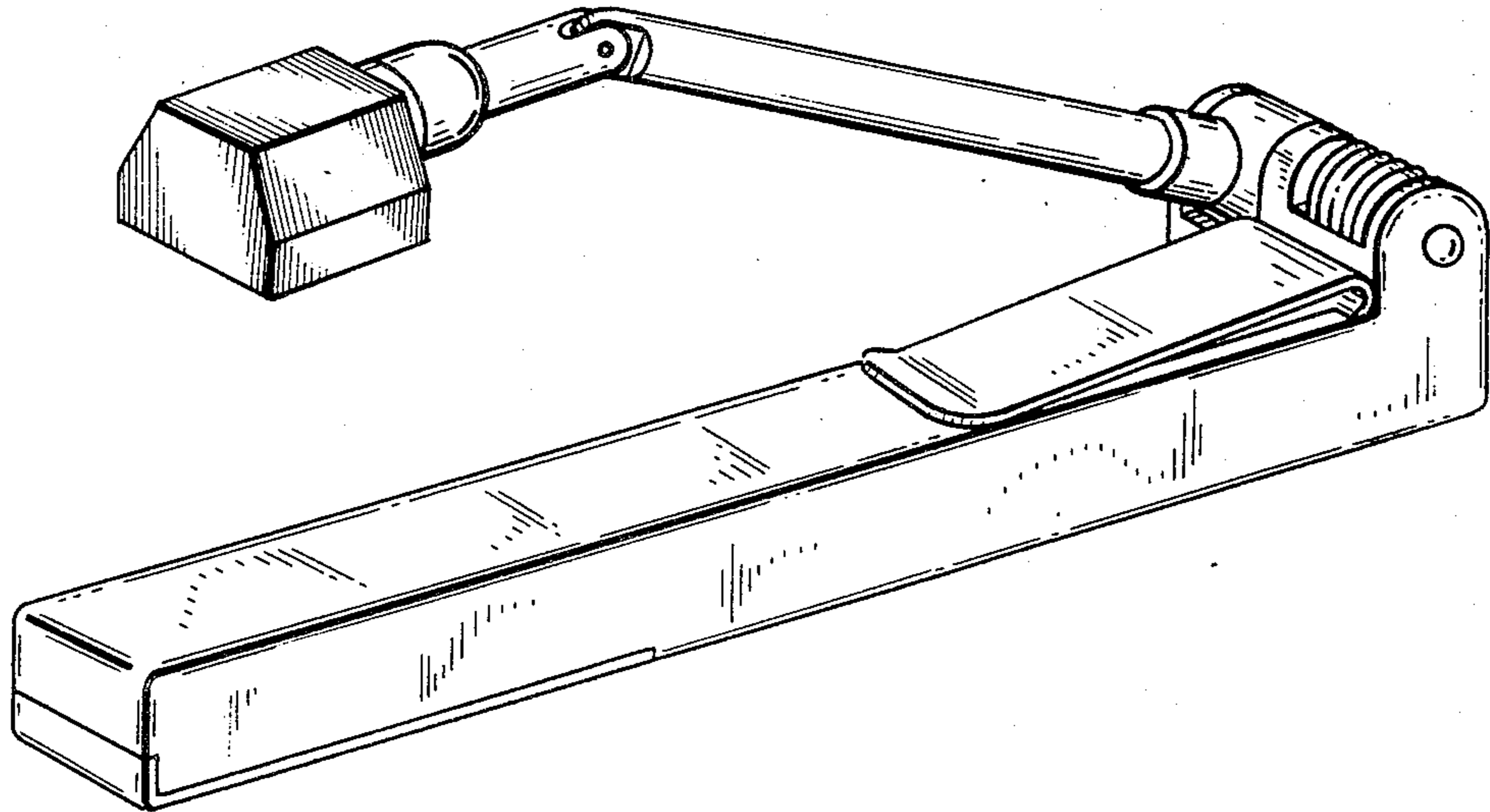


FIG. 2.

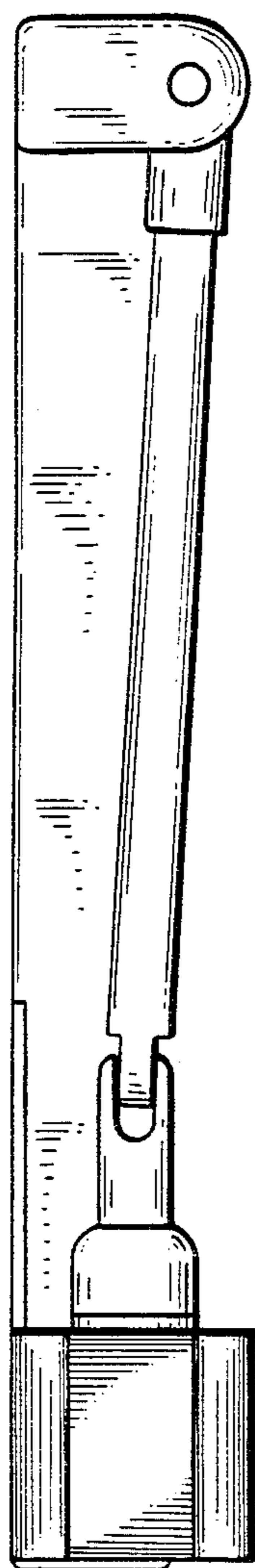


FIG. 3.

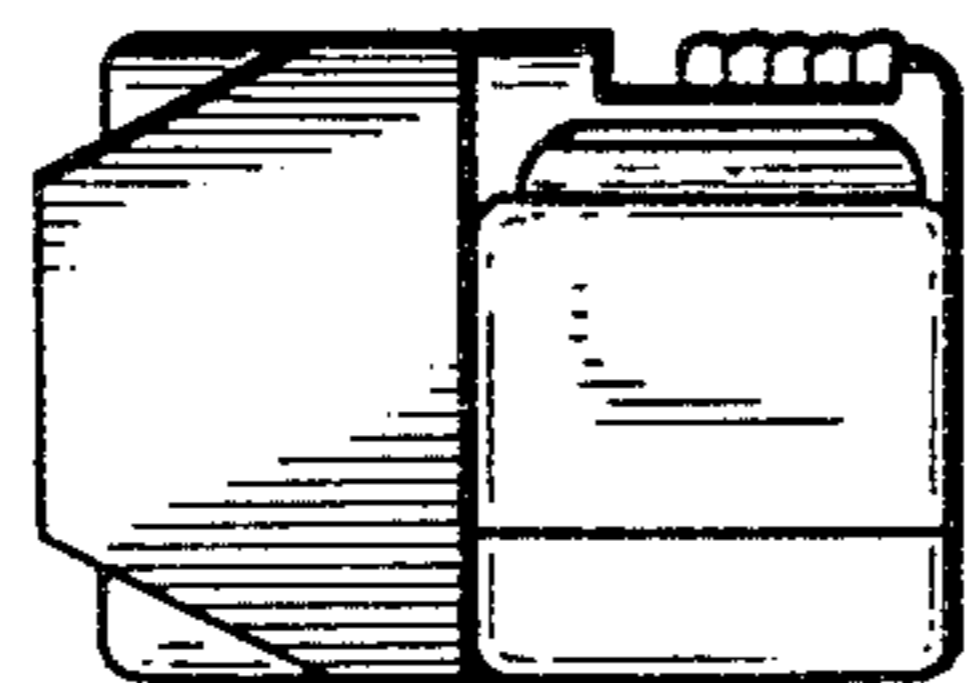


FIG. 7.

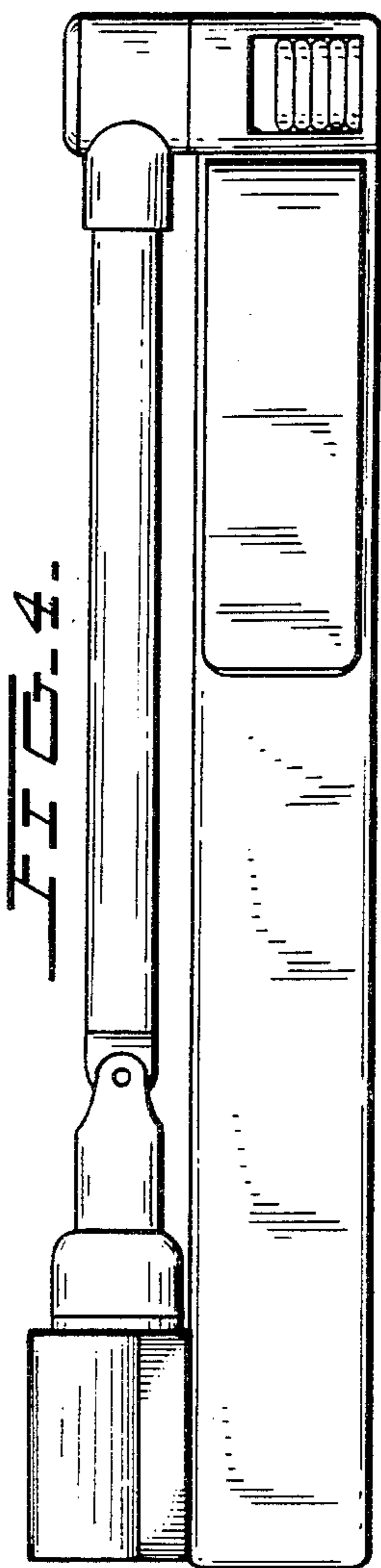


FIG. 4.

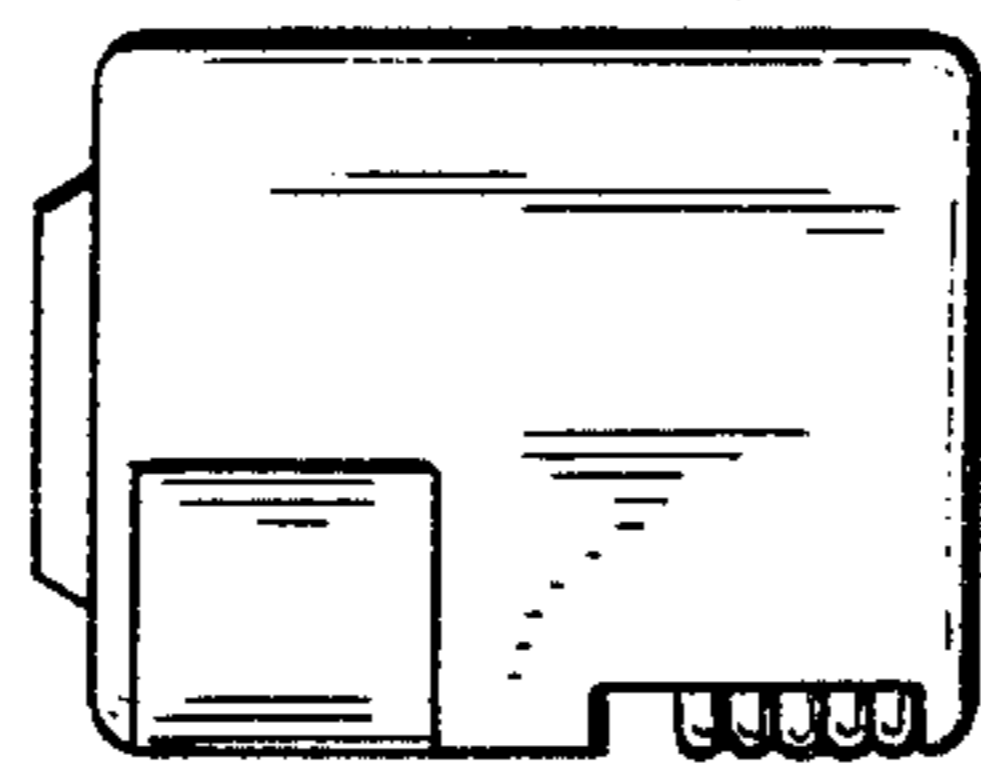


FIG. 8.

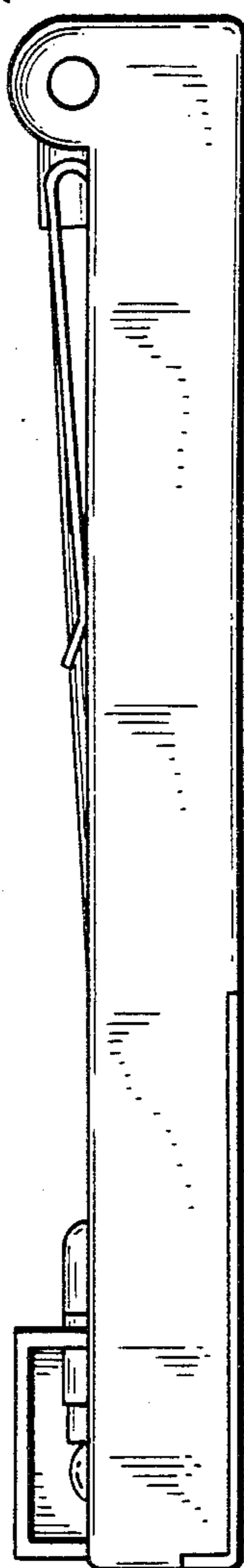


FIG. 5.

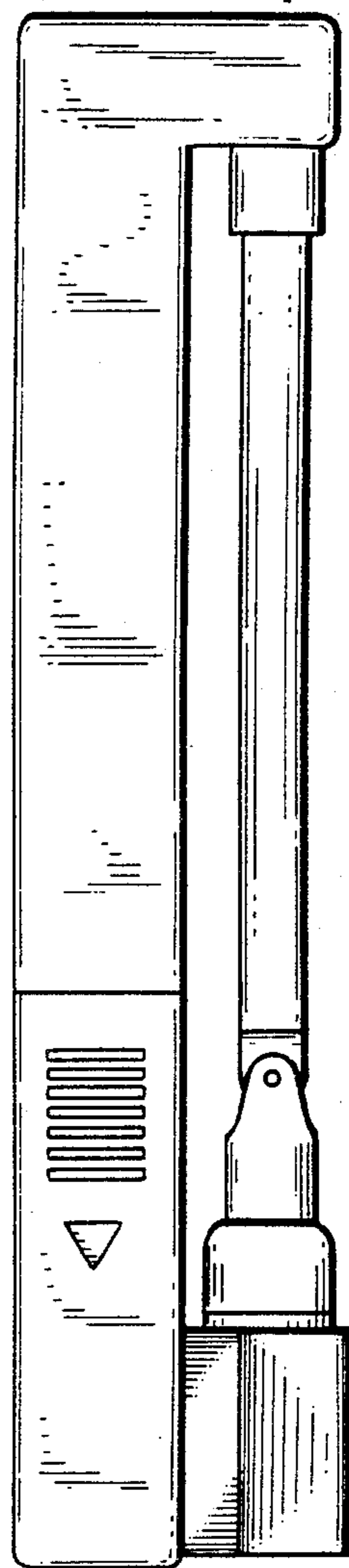


FIG. 6.