

United States Patent [19]

Drane

[11] Patent Number: **Des. 287,411**

[45] Date of Patent: **** Dec. 23, 1986**

[54] **HAND TORCH**

[75] Inventor: **John H. Drane, London, England**

[73] Assignee: **Duracell Inc., Bethel, Conn.**

[**] Term: **14 Years**

[21] Appl. No.: **607,538**

[22] Filed: **May 7, 1984**

[30] **Foreign Application Priority Data**

Nov. 21, 1983 [GB] United Kingdom 1016436

[52] U.S. Cl. **D26/46**

[58] Field of Search **D26/37-50;**
362/157, 158, 183-208

[56] **References Cited**

U.S. PATENT DOCUMENTS

D. 210,040 1/1968 Moore et al. D26/49

D. 268,528 4/1983 Hung D26/49
2,938,111 5/1960 Keilman D26/49 X

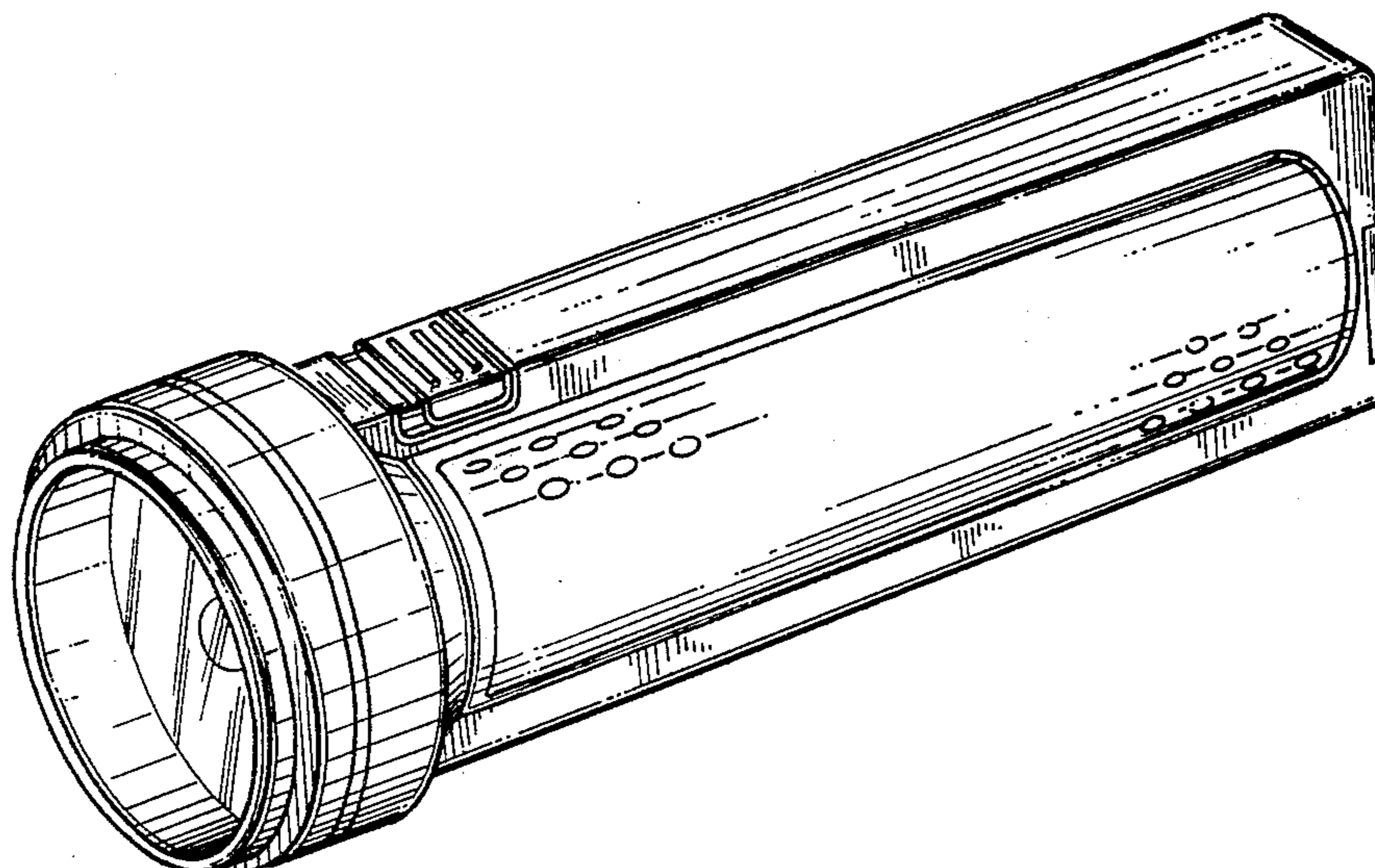
Primary Examiner—Susan J. Lucas
Attorney, Agent, or Firm—Ronald S. Cornell

[57] **CLAIM**

The ornamental design for a hand torch, as shown and described.

DESCRIPTION

FIG. 1 is a front isometric view of a hand torch showing my new design, the textured pattern on the handle being partially shown for convenience of illustration;
FIG. 2 is a front elevational view thereof;
FIG. 3 is a rear elevational view thereof;
FIG. 4 is a side elevational view thereof, the opposite side being a mirror image;
FIG. 5 is a top plan view thereof;
FIG. 6 is a bottom plan view thereof, the carrying loop being open.



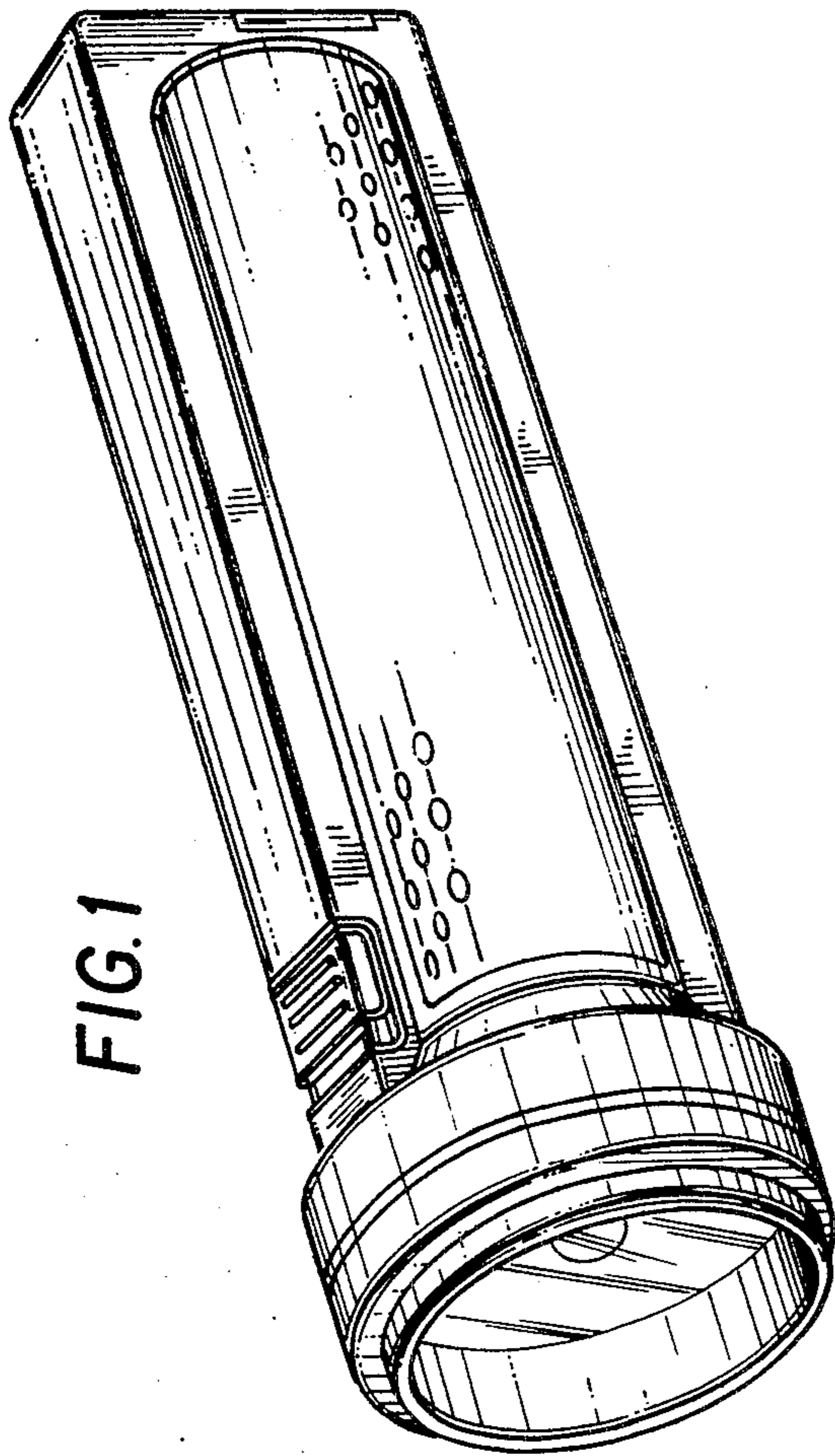


FIG. 1

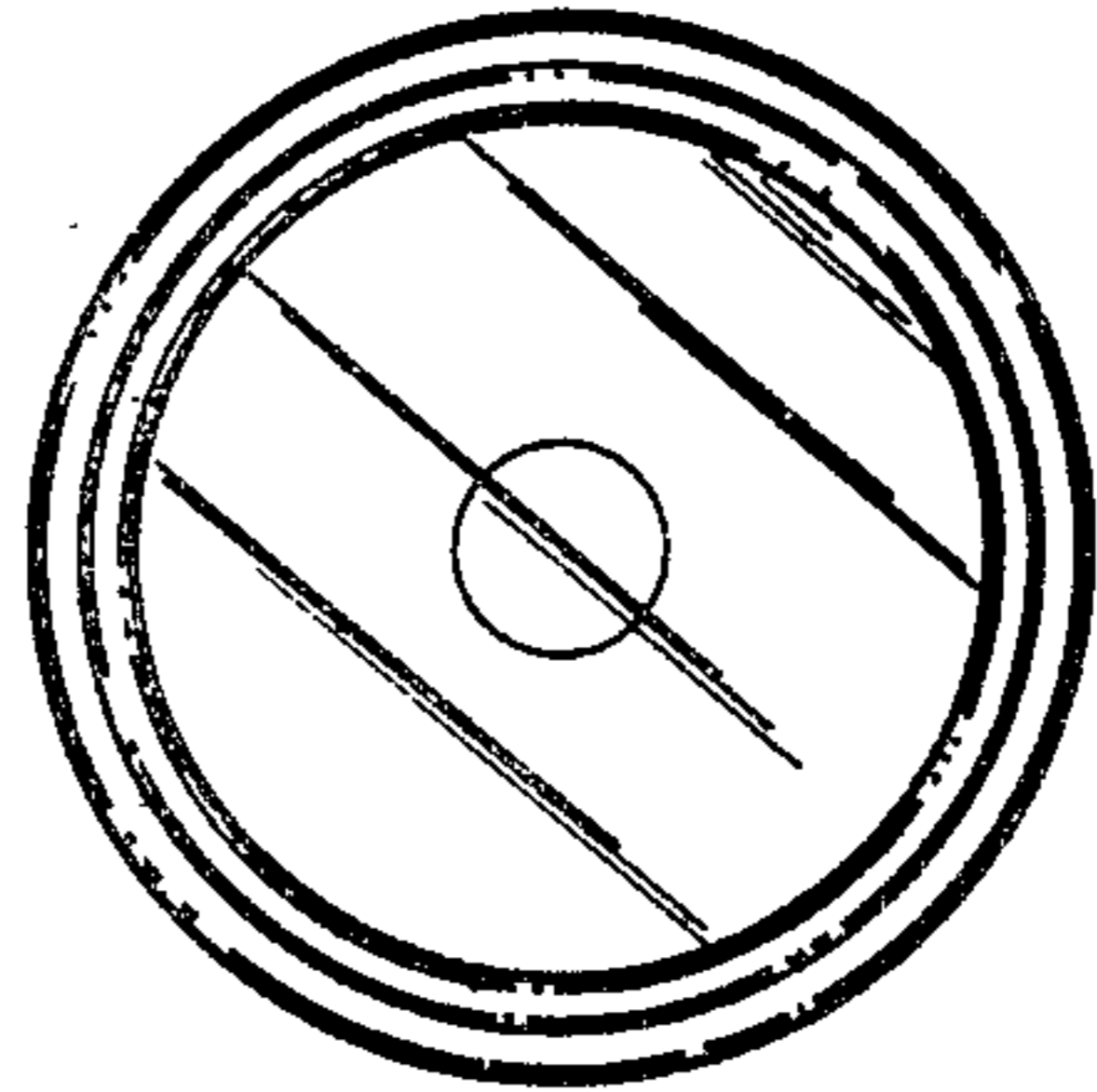


FIG. 2

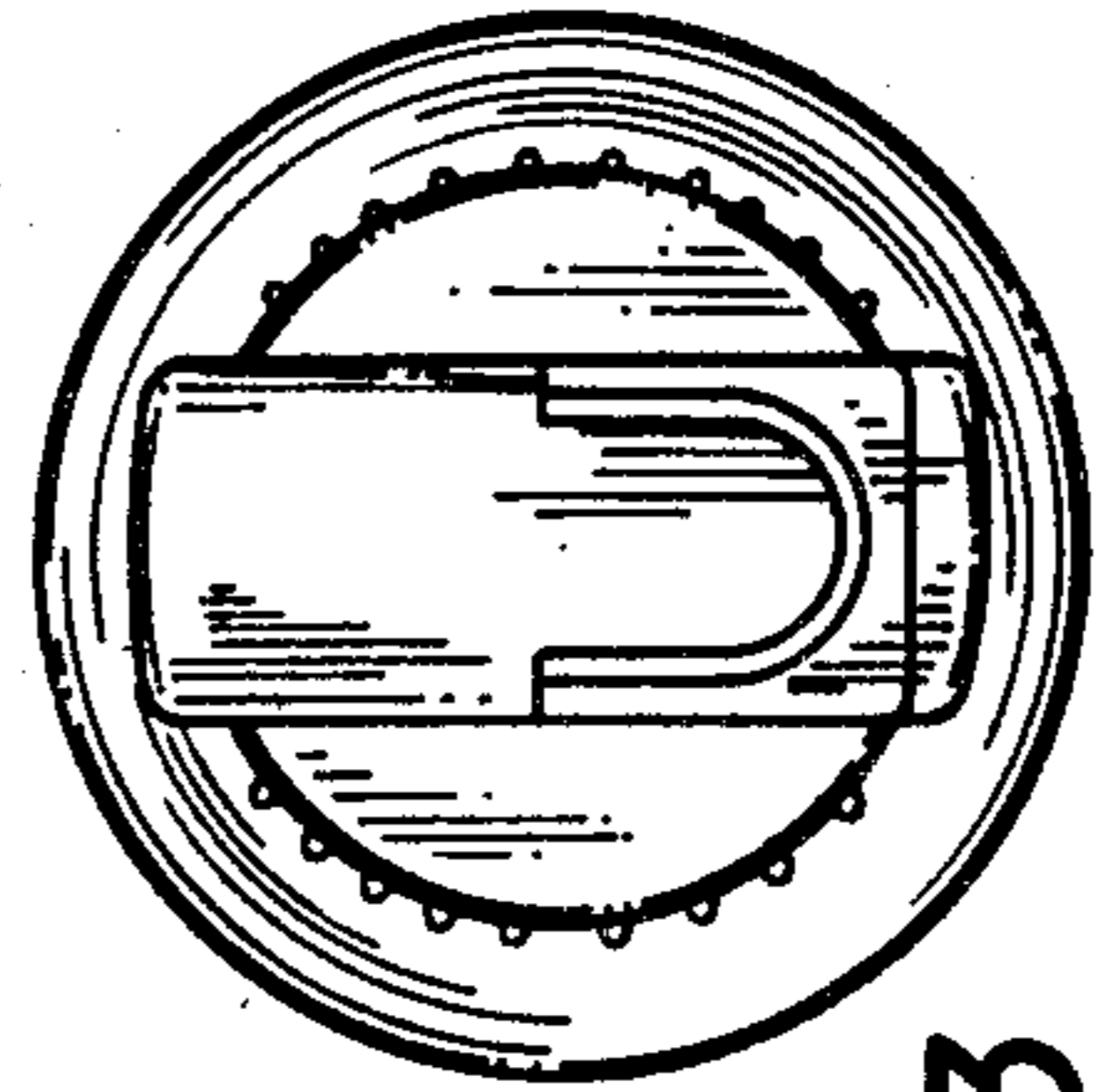


FIG. 3

FIG. 4

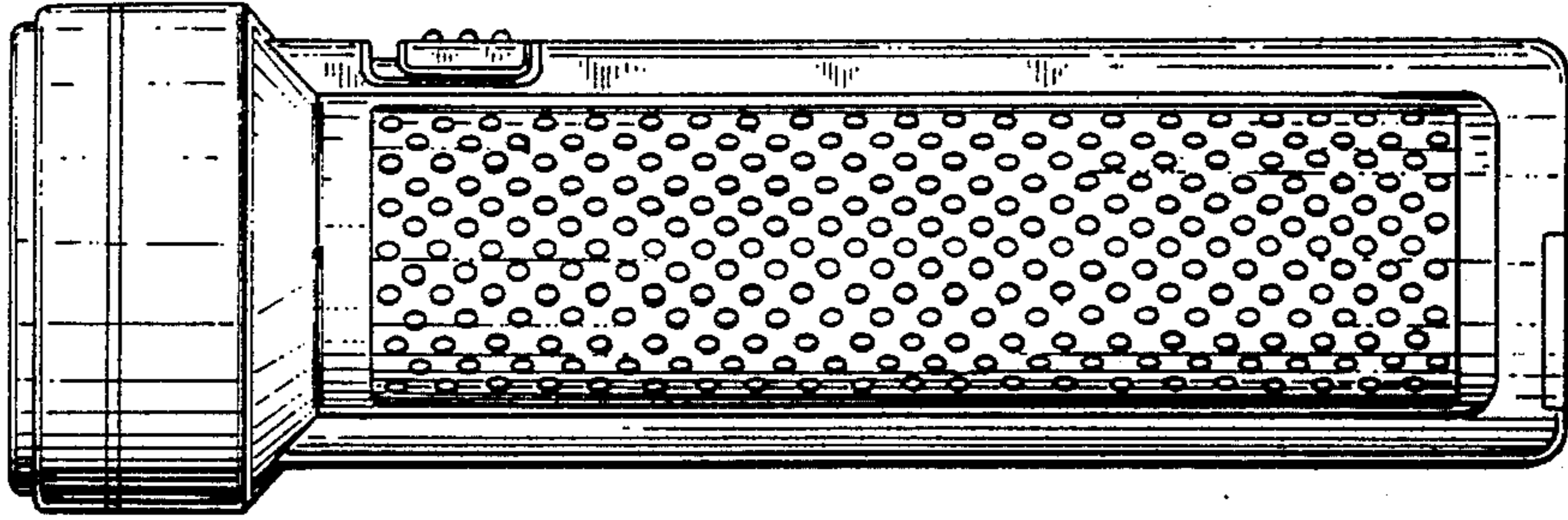


FIG. 5

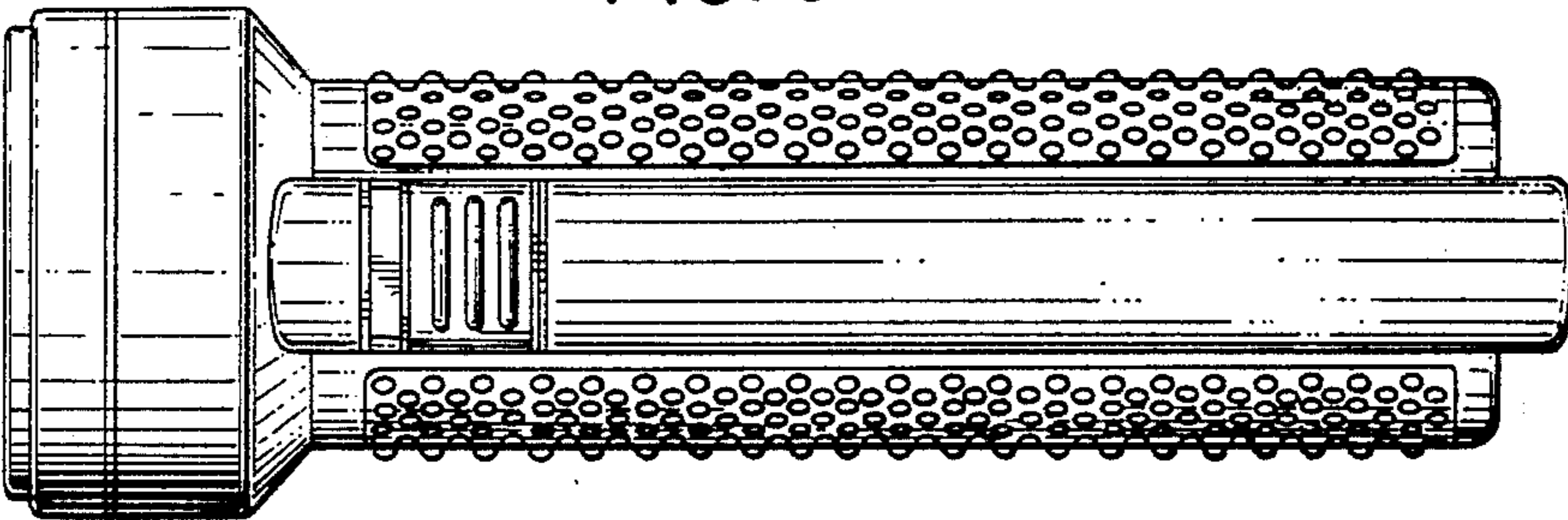


FIG. 6

