

[54] LANTERN

[75] Inventor: Lars-Gunnar Johansson, Paris, France

[73] Assignee: Architectural Structures Inc., London, England

[*] Notice: The portion of the term of this patent subsequent to Dec. 23, 2000 has been disclaimed.

[**] Term: 14 Years

[21] Appl. No.: 563,180

[22] Filed: Dec. 19, 1983

[52] U.S. Cl. D26/40

[58] Field of Search D26/37-50, D26/104; 362/157, 158, 183-208, 159, 161, 163, 171, 179, 180

[56] References Cited

U.S. PATENT DOCUMENTS

- D. 85,627 11/1931 Williamson D26/104
- D. 164,818 10/1951 Ragsdale D26/104 X
- 1,119,358 12/1914 Kasper 362/159

- 1,143,604 6/1915 Achberger 362/180
- 1,693,704 12/1928 Watkins 362/159
- 2,169,735 8/1939 Keller 362/171

FOREIGN PATENT DOCUMENTS

- 1938996 2/1971 Fed. Rep. of Germany 362/179
- 15153 of 1894 United Kingdom 362/159

Primary Examiner—Susan J. Lucas
Attorney, Agent, or Firm—Merchant, Gould, Smith Edell, Welter & Schmidt

[57] CLAIM

The ornamental design for a lantern, as shown and described.

DESCRIPTION

FIG. 1 is an elevational view of the lantern showing my new design;
 FIG. 2 is a perspective view thereof;
 FIG. 3 is a top plan view thereof;
 FIG. 4 is a bottom plan view thereof;
 FIG. 5 is a view of the bottom surface of the removable roof of the lantern; and
 FIG. 6 is a top plan view of the lantern with the roof removed.

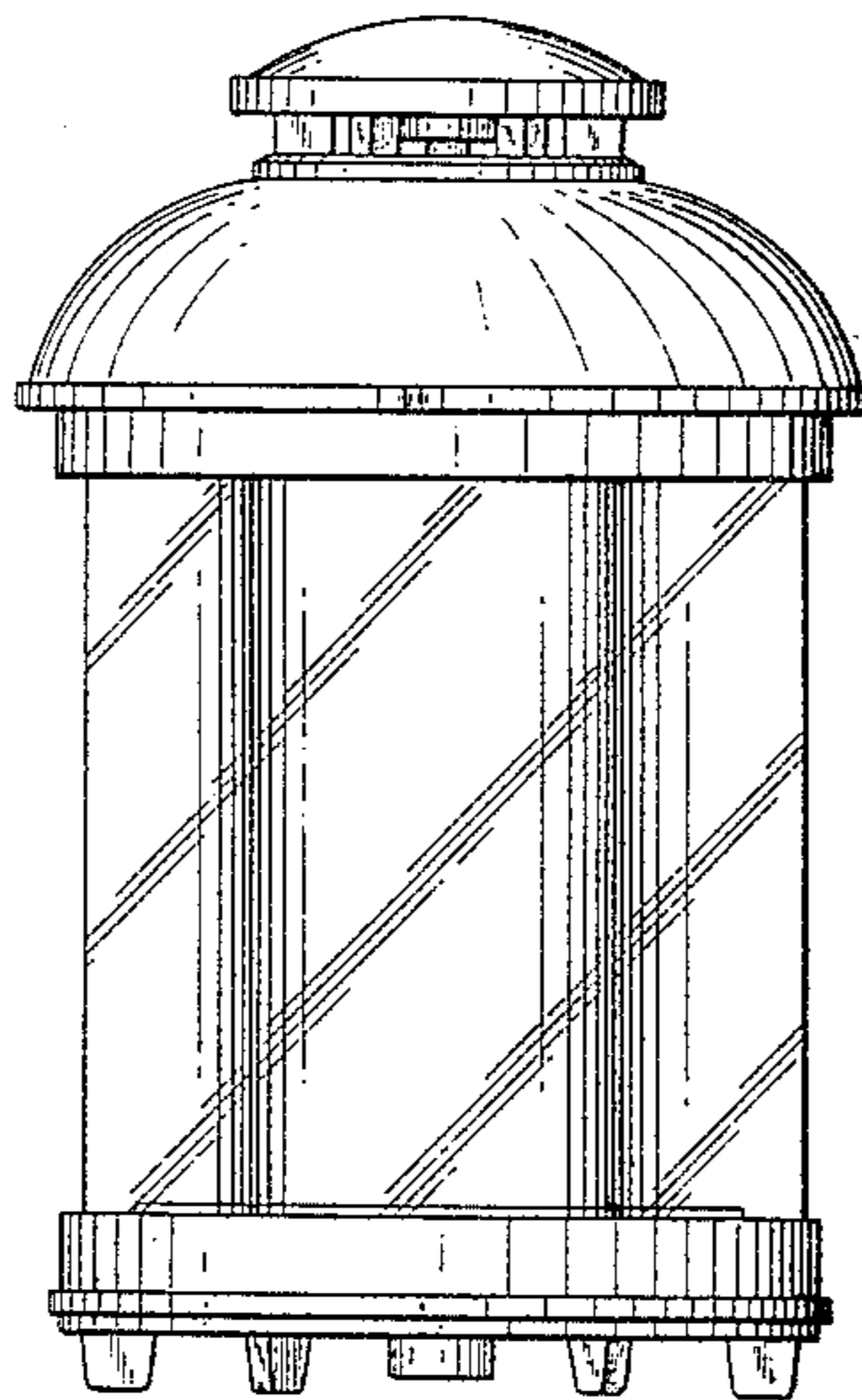


FIG. 1

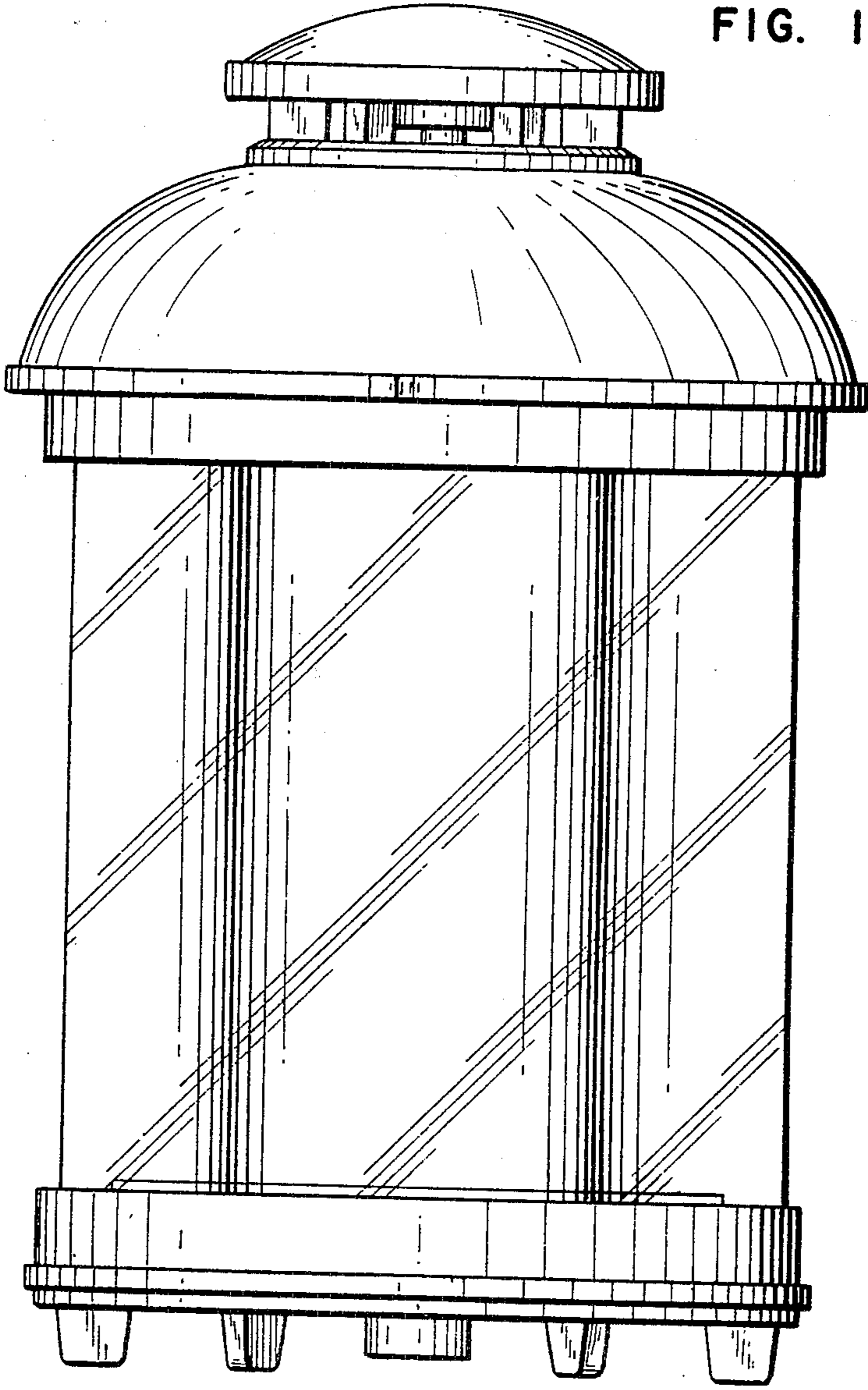


FIG. 2

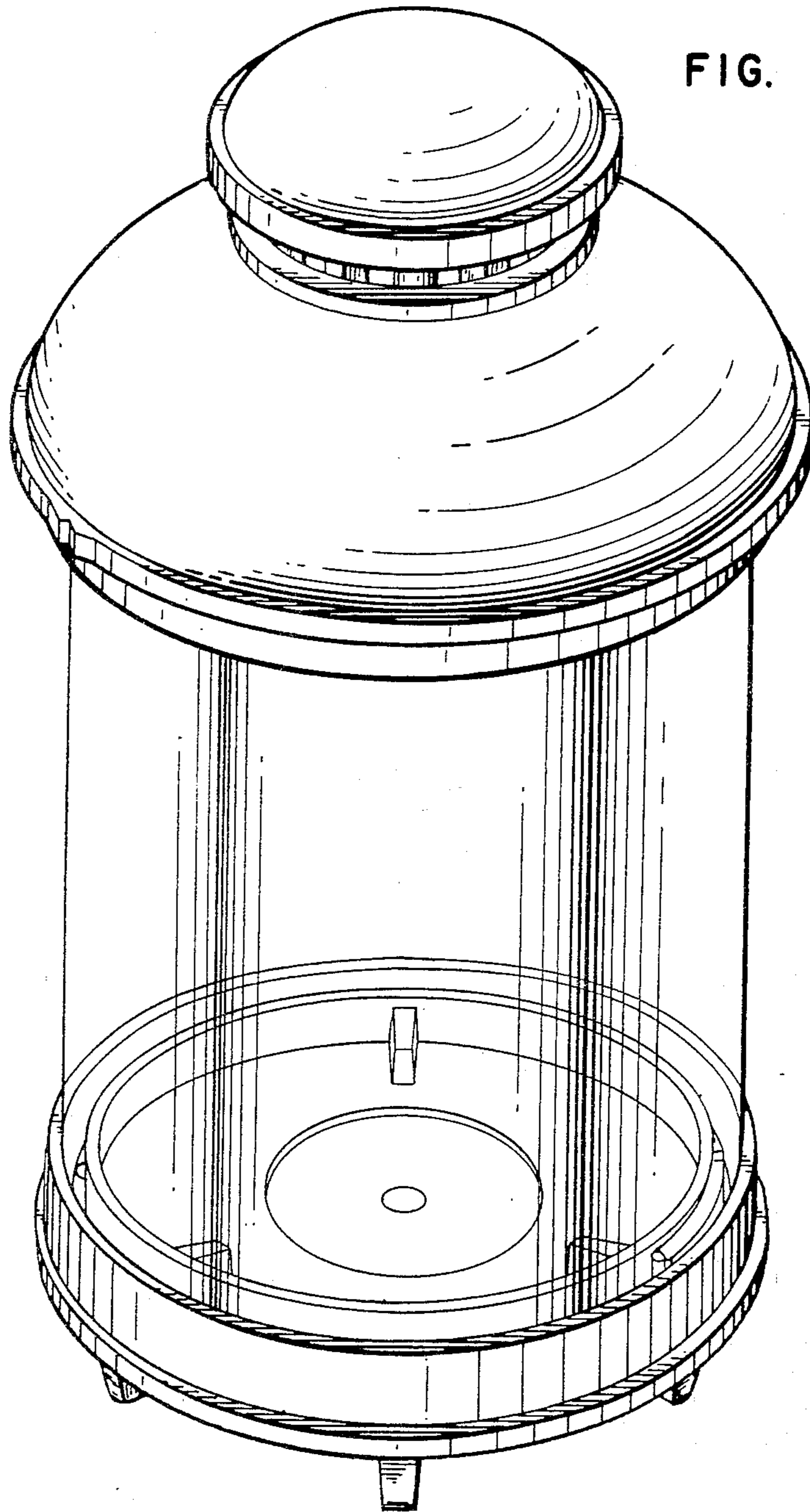


FIG. 3

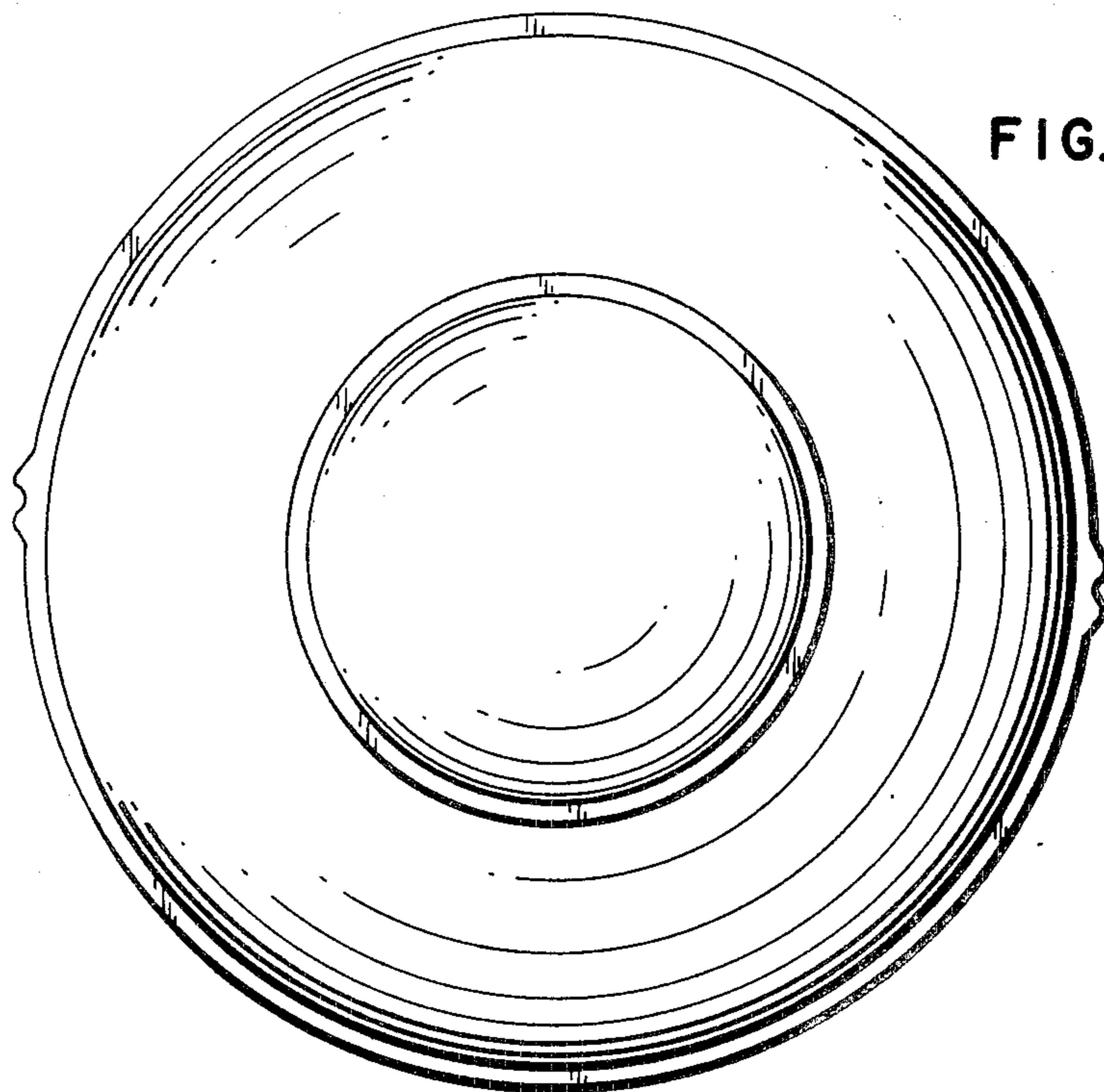
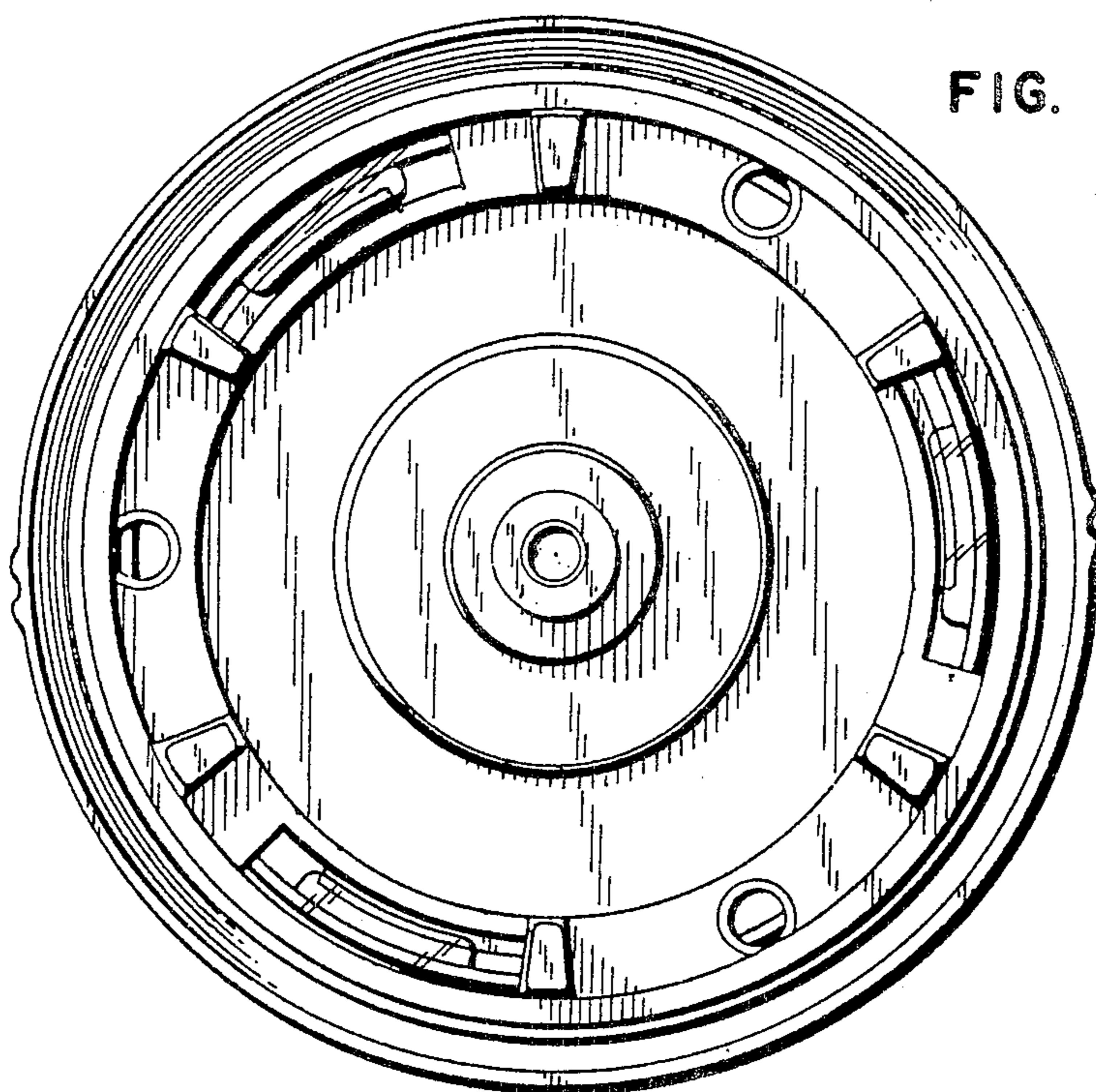


FIG. 4



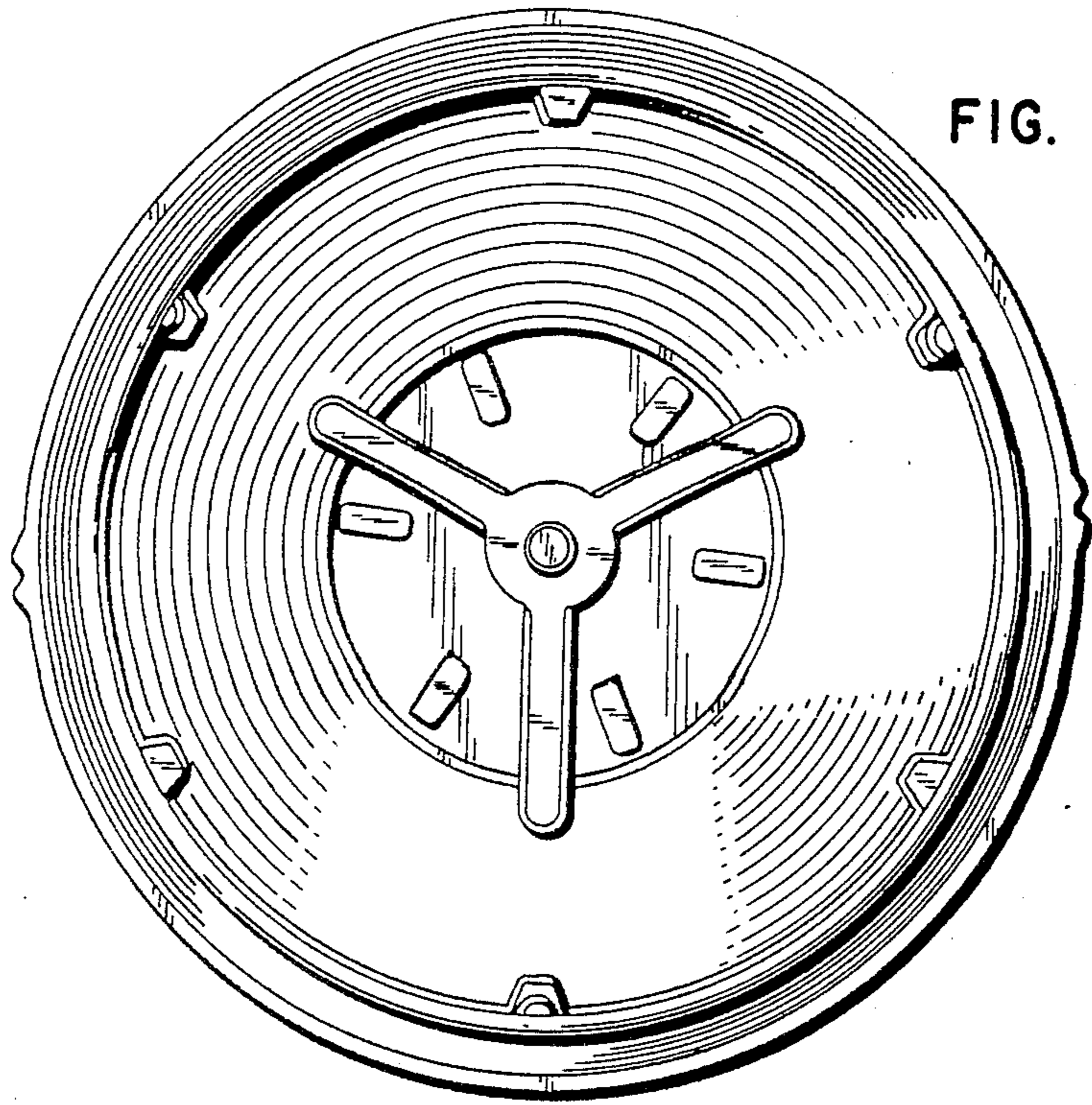


FIG. 5

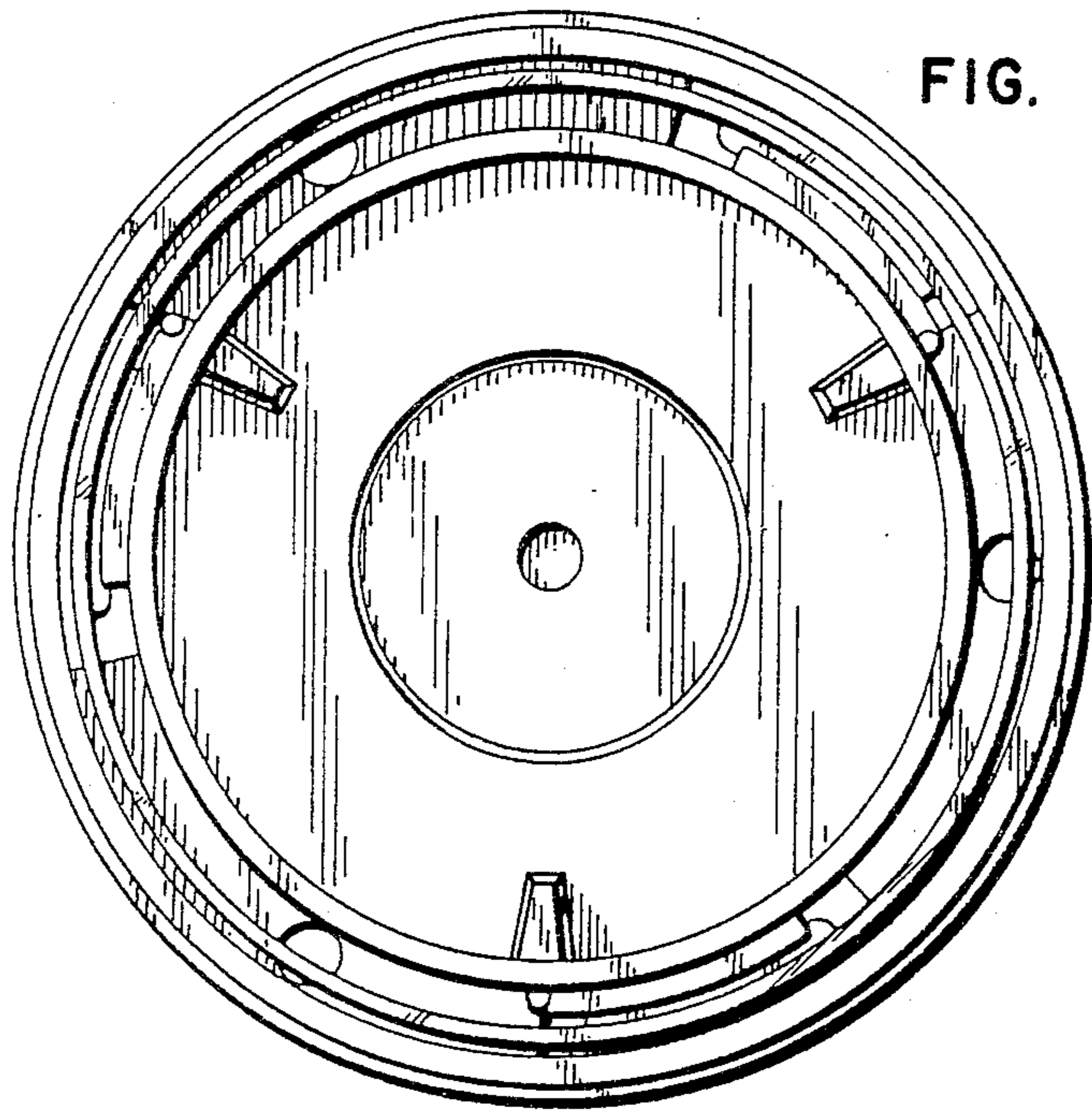


FIG. 6