

United States Patent [19]

Johansson

[11] Patent Number: **Des. 287,409**

[45] Date of Patent: **** Dec. 23, 1986**

[54] LANTERN

[75] Inventor: **Lars-Gunnar Johansson**, Paris, France

[73] Assignee: **Architectural Structures Inc.**, London, England

[*] Notice: The portion of the term of this patent subsequent to Dec. 23, 2000 has been disclaimed.

[**] Term: **14 Years**

[21] Appl. No.: **497,663**

[22] Filed: **May 24, 1983**

[52] U.S. Cl. **D26/40**

[58] Field of Search **D26/37-50, D26/104; 362/157, 158, 183-208, 159, 161, 163, 171, 179, 180**

[56] **References Cited**

U.S. PATENT DOCUMENTS

D. 85,627 11/1931 Williamson D26/104
1,119,358 12/1914 Kasper 362/159

1,436,604 6/1915 Achberger 362/180
1,693,704 12/1928 Watkins 362/159
2,169,735 8/1939 Keller 362/171

FOREIGN PATENT DOCUMENTS

1938996 2/1971 Fed. Rep. of Germany 362/179
15153 of 1894 United Kingdom 362/159

Primary Examiner—Susan J. Lucas
Attorney, Agent, or Firm—Merchant, Gould, Smith, Edell, Welter & Schmidt

[57] **CLAIM**

The ornamental design for a lantern, as shown and described.

DESCRIPTION

FIG. 1 is a perspective view of the lantern showing my new design;
FIG. 2 is a side elevational view thereof;
FIG. 3 is a top plan view thereof;
FIG. 4 is a bottom plan view thereof;
FIG. 5 is a view of the bottom surface of the removable roof of the lantern; and
FIG. 6 is a top plan view of the lantern with the roof removed.

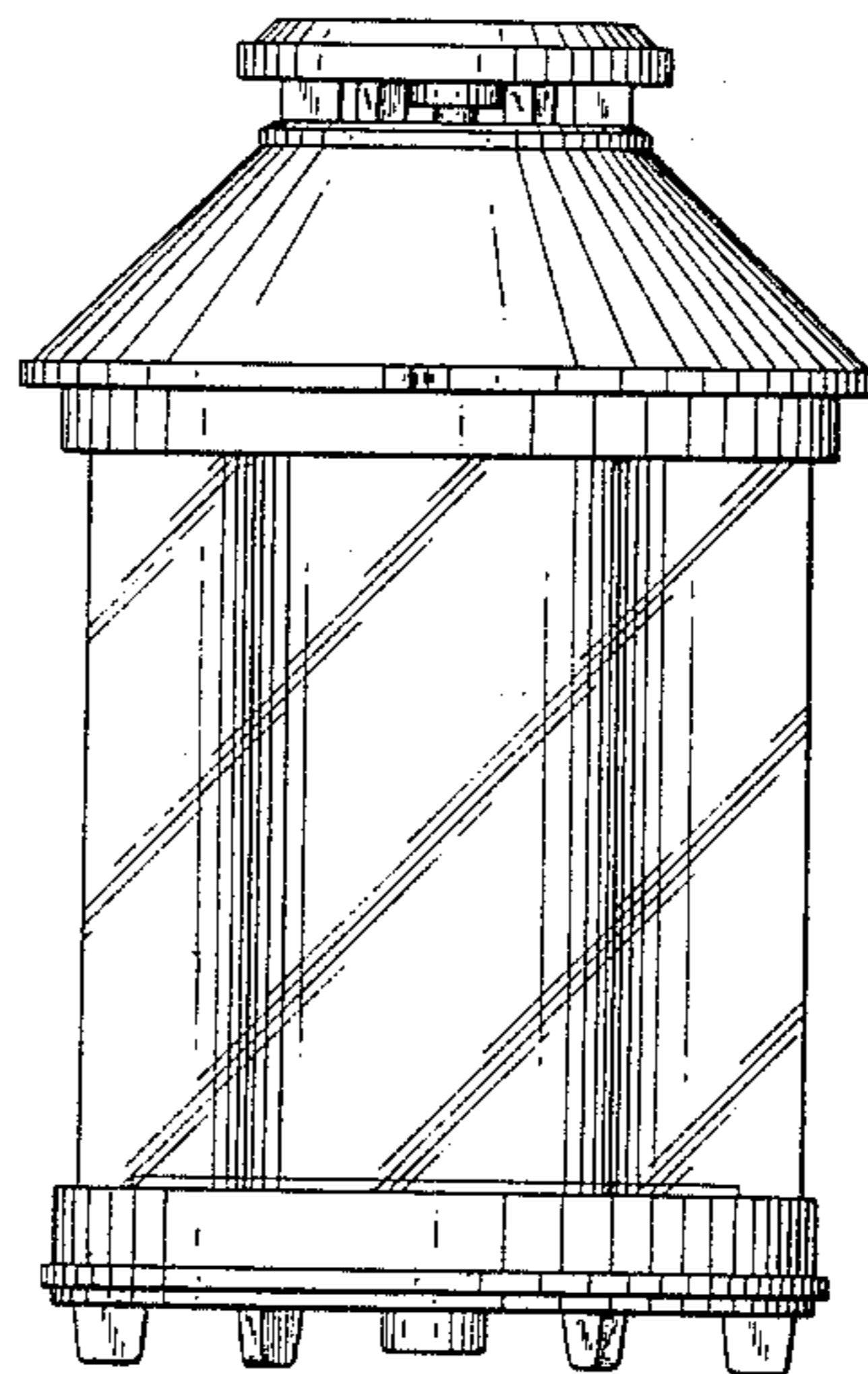


FIG. 1

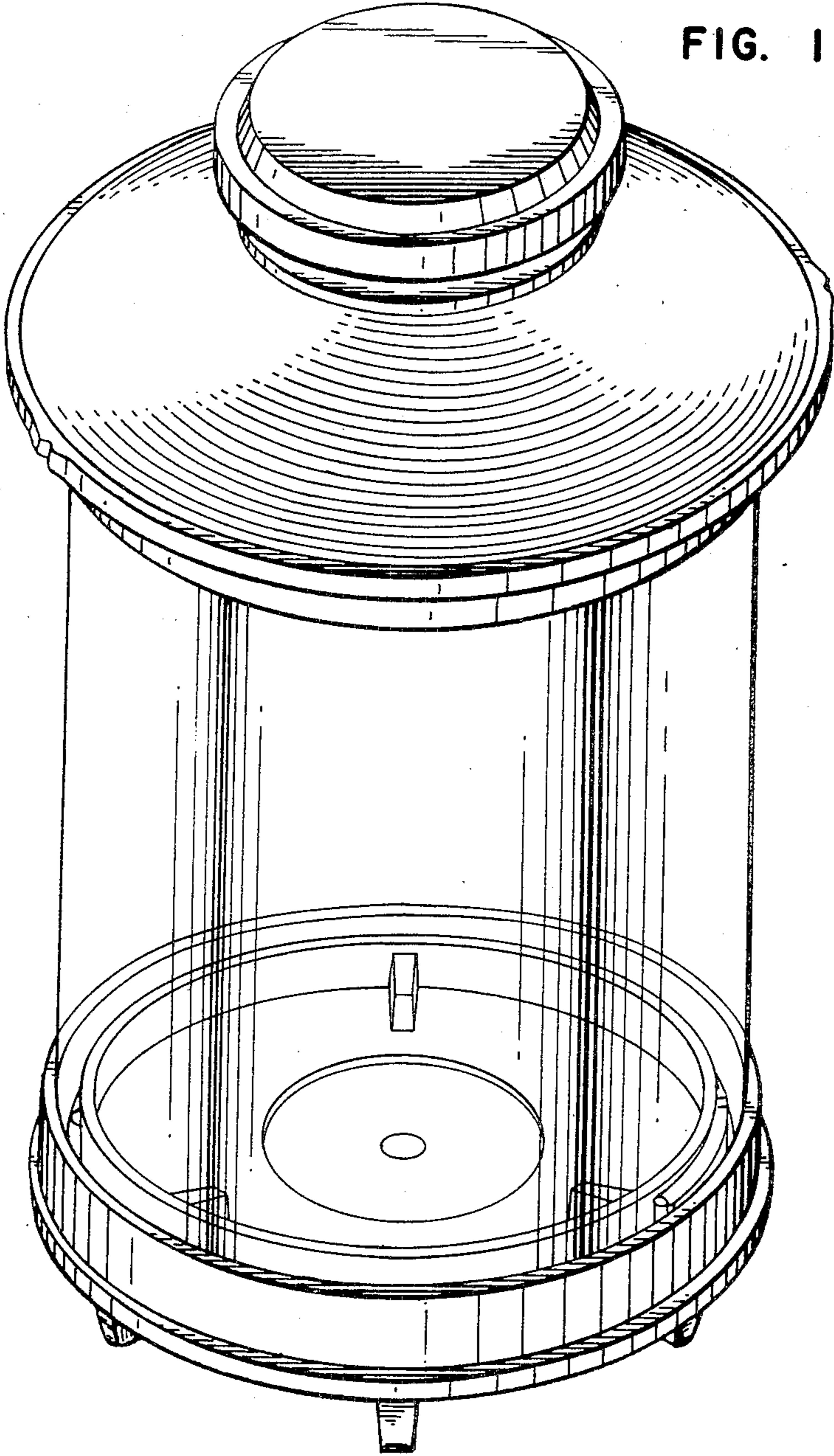
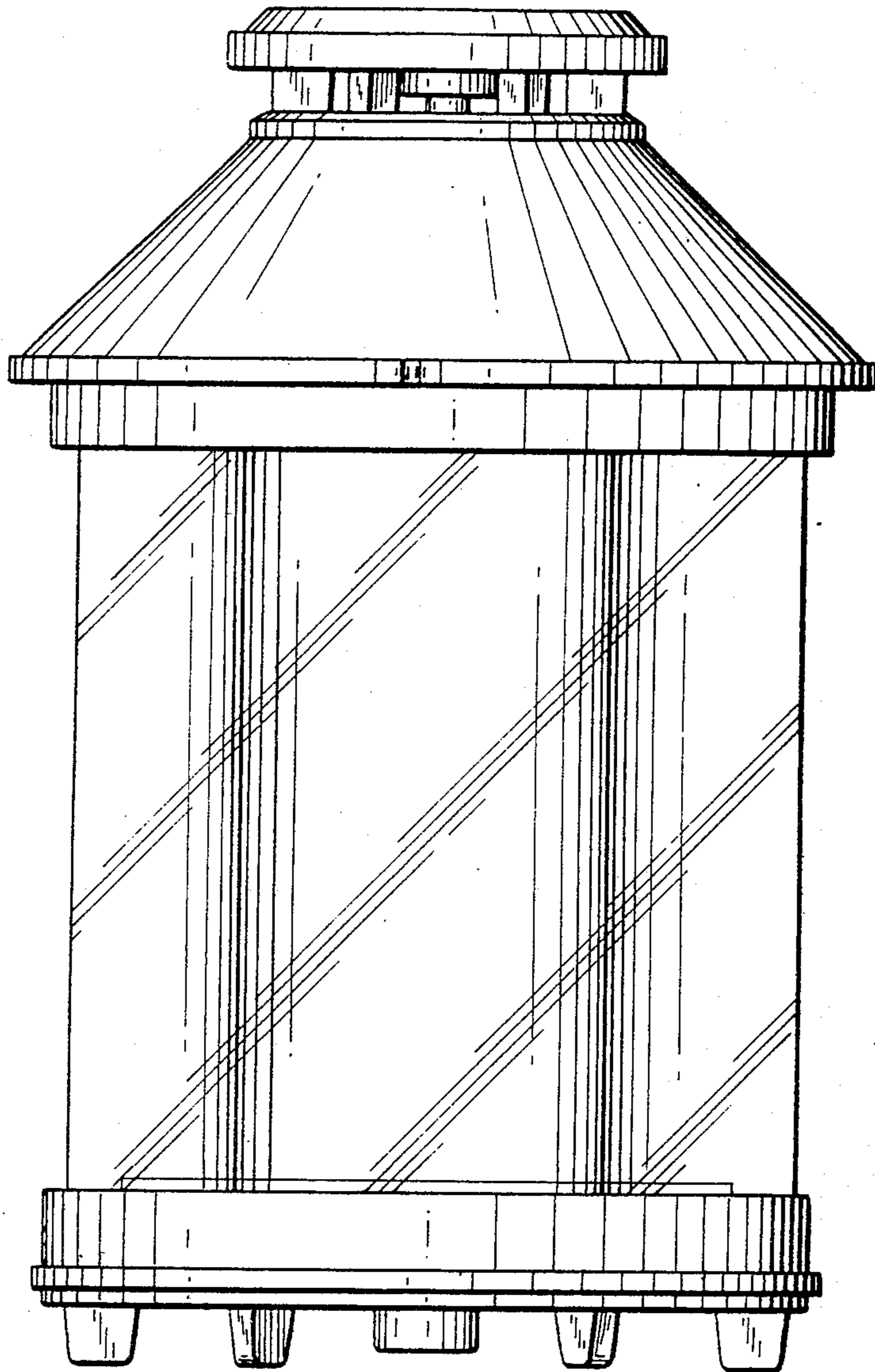


FIG. 2



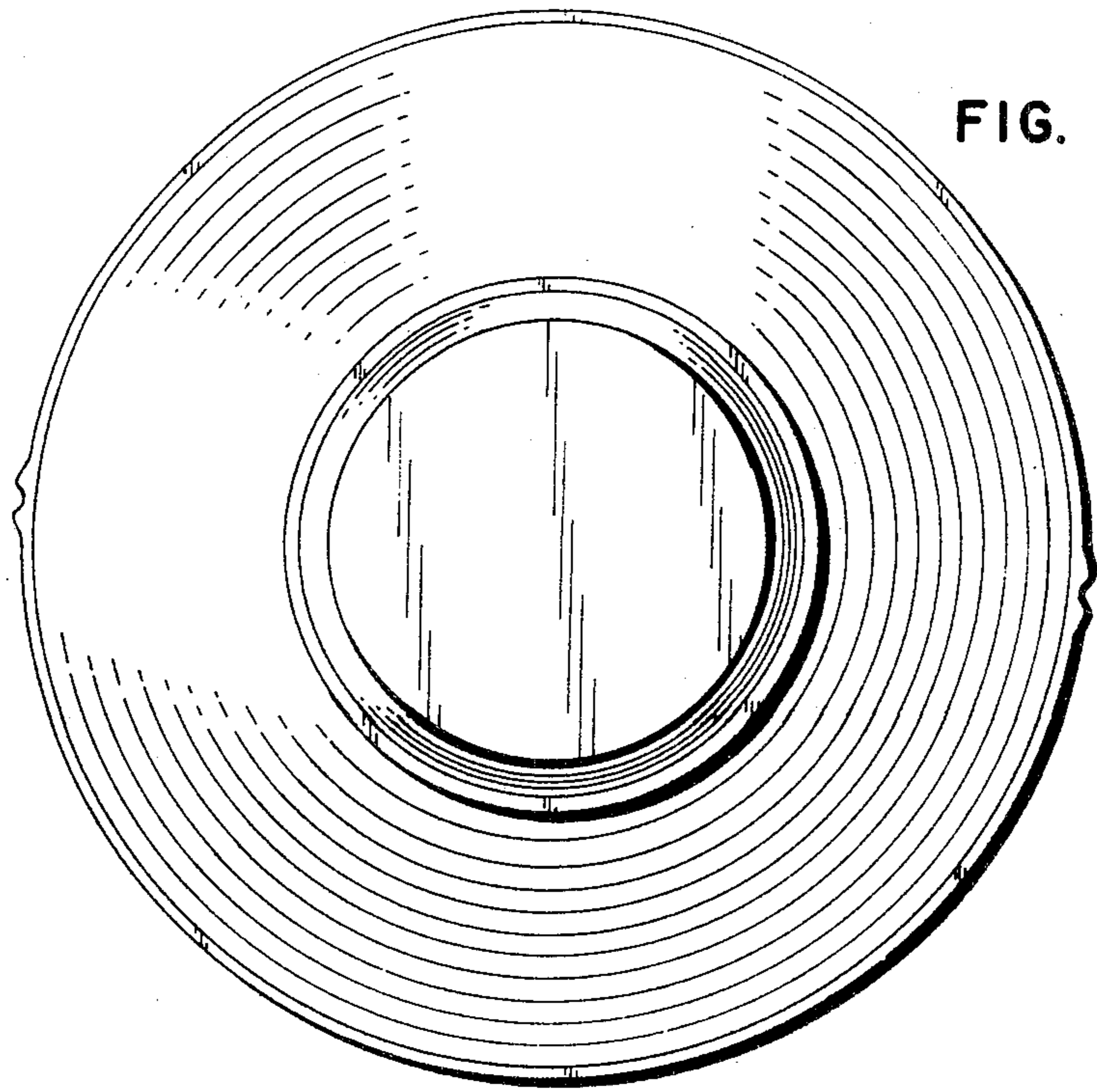


FIG. 3

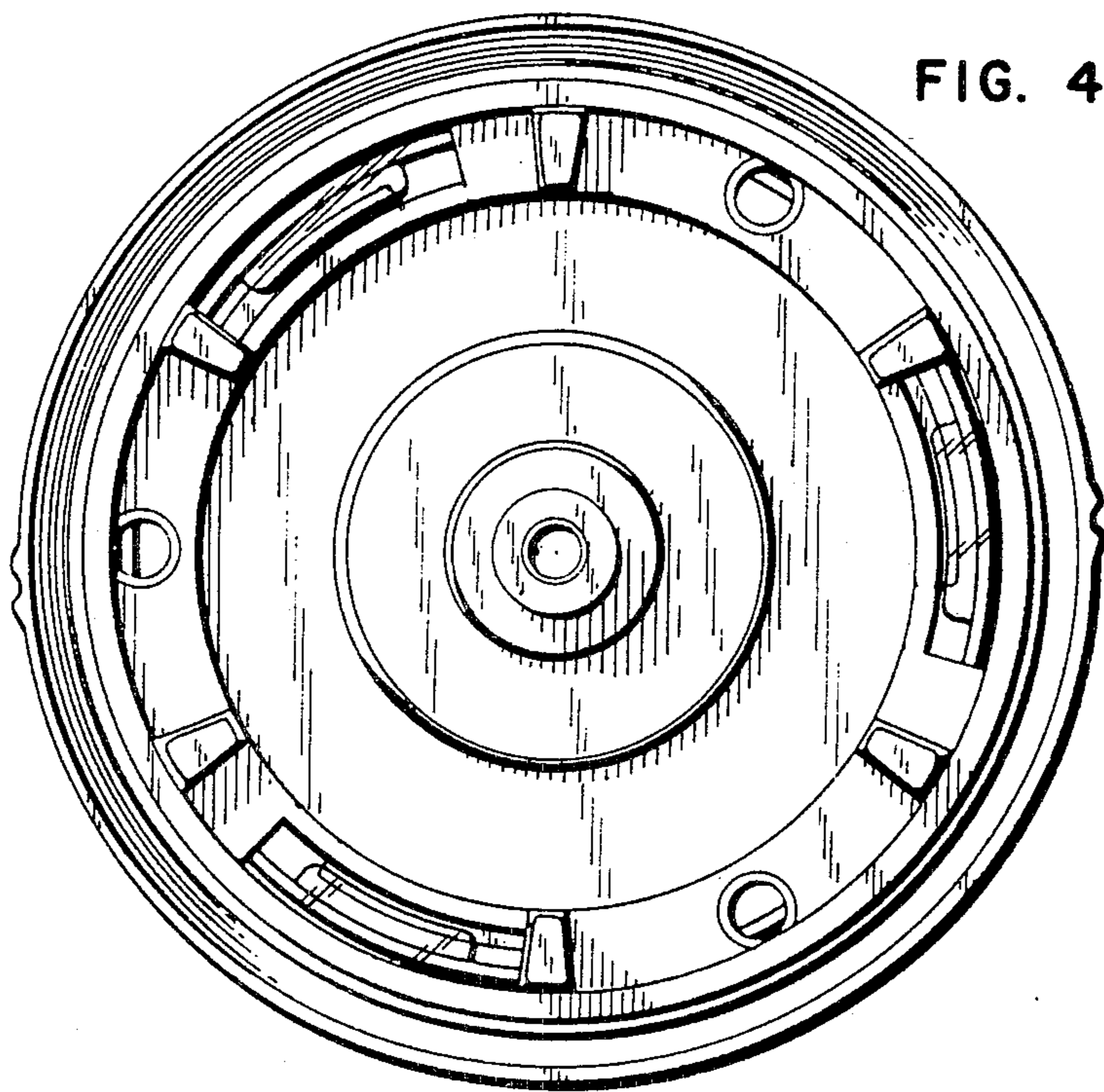


FIG. 4

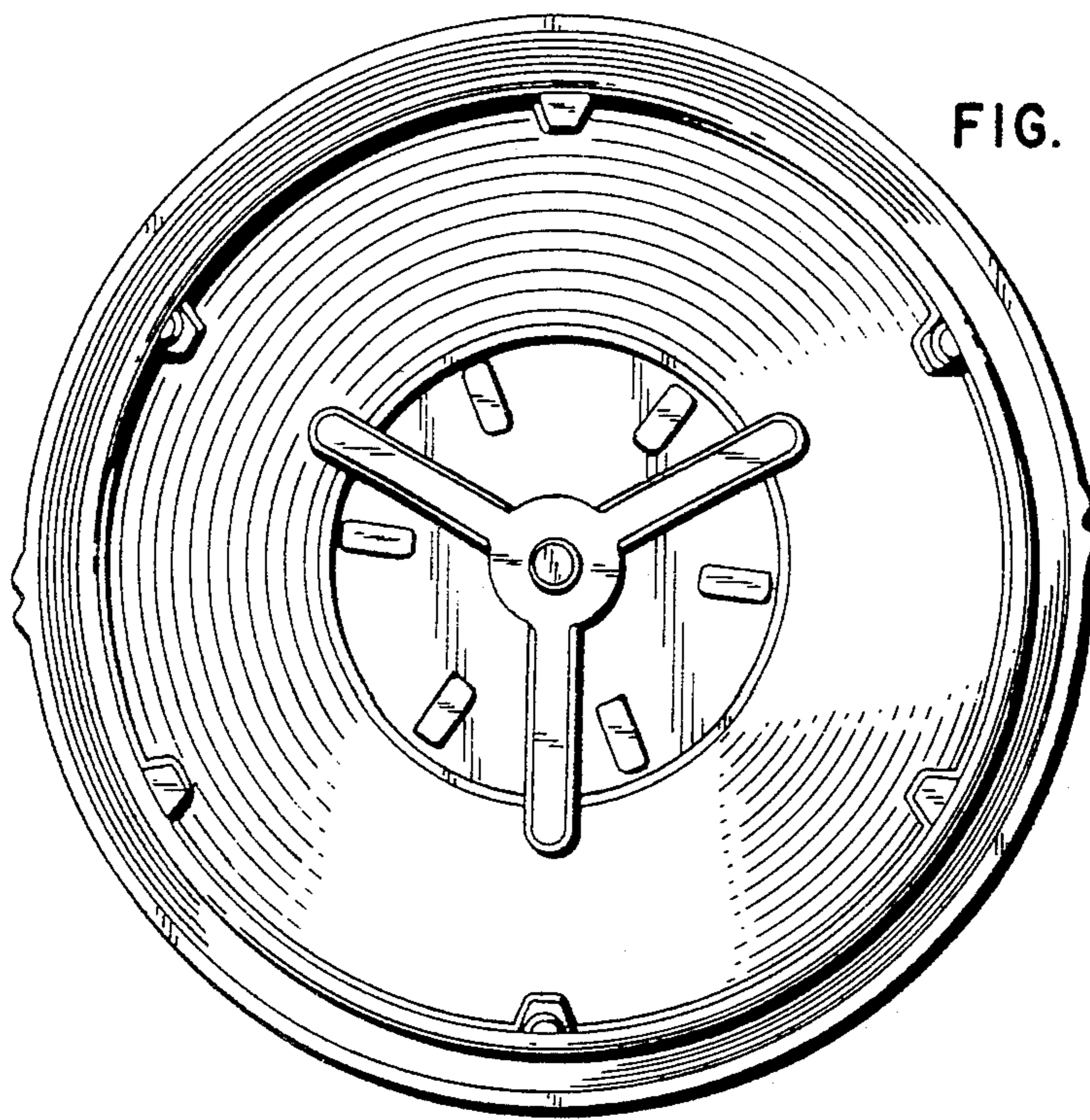


FIG. 5

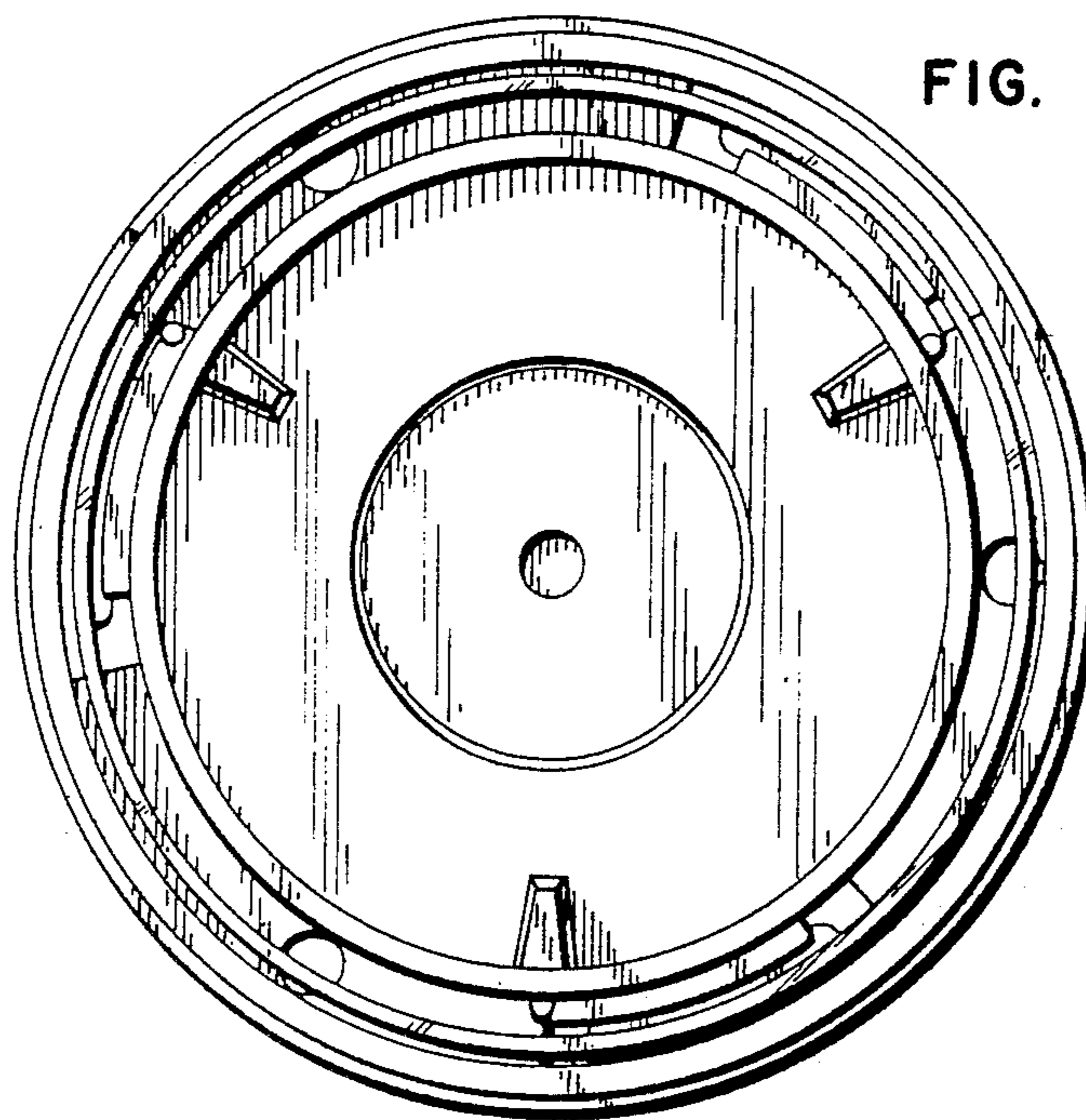


FIG. 6