

[54] FLUORESCENT LAMP

[75] Inventors: Toshiharu Fujita, Kanagawa; Yoshihiro Domon, Kamakura; Fuminobu Takizawa, Yokohama, all of Japan

[73] Assignee: Mitsubishi Denki Kabushiki Kaisha, Tokyo, Japan

[**] Term: 14 Years

[21] Appl. No.: 661,158

[22] Filed: Oct. 15, 1984

[30] Foreign Application Priority Data

Apr. 27, 1984 [JP] Japan 59-17362

Apr. 27, 1984 [JP] Japan 59-17363

[52] U.S. Cl. D26/3; D26/26

[58] Field of Search D26/1, 2, 3, 26; 313/313, 315, 317, 318, 493; 315/52, 53, 56, 57, 58, 62; 362/216

[56] References Cited

U.S. PATENT DOCUMENTS

D. 271,908 12/1983 Kojima et al. D26/3

4,363,083 12/1982 Tanaka et al. 362/216

4,383,200 5/1983 Van Zon et al. 315/58 X

FOREIGN PATENT DOCUMENTS

56-64658 5/1981 Japan D26/3

Primary Examiner—Susan J. Lucas

Attorney, Agent, or Firm—Oblon, Fisher, Spivak, McClelland & Maier

[57] CLAIM

The ornamental design for a fluorescent lamp, as shown and described.

DESCRIPTION

FIG. 1 is a front elevational view of a fluorescent lamp showing our new design;

FIG. 2 is a rear elevational view thereof;

FIG. 3 is a top plan view thereof;

FIG. 4 is a bottom plan view thereof;

FIG. 5 is a left side elevational view thereof;

FIG. 6 is a perspective view thereof;

FIG. 7 is a cross-sectional view thereof taken along line 7—7 of FIG. 1;

FIG. 8 is a cross-sectional view thereof as taken along line 8—8 of FIG. 5;

FIG. 9 is a front elevational view of a second embodiment of our design;

FIG. 10 is a rear elevational view thereof;

FIG. 11 is a top plan view thereof;

FIG. 12 is a bottom plan view thereof;

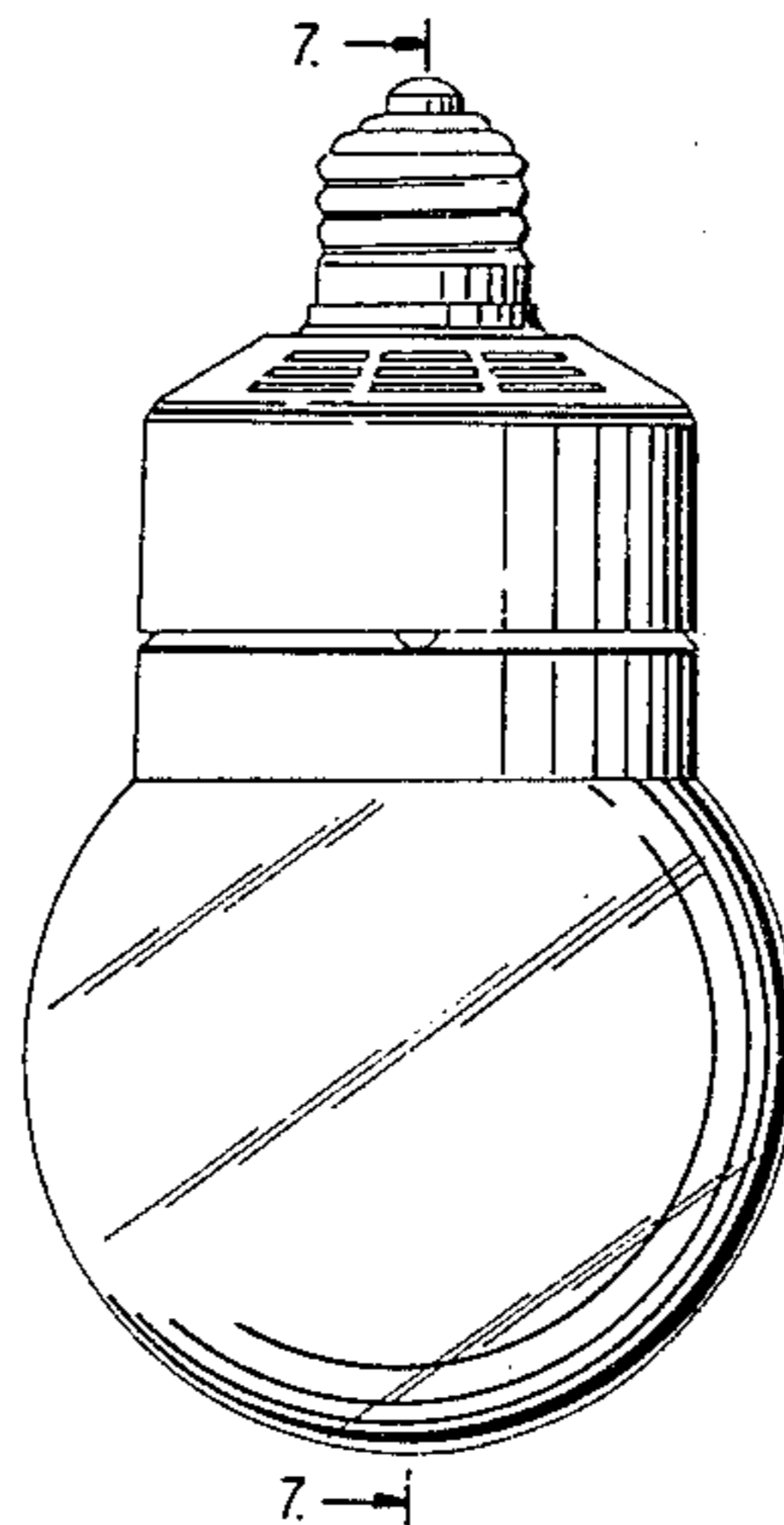
FIG. 13 is a left side elevational view thereof;

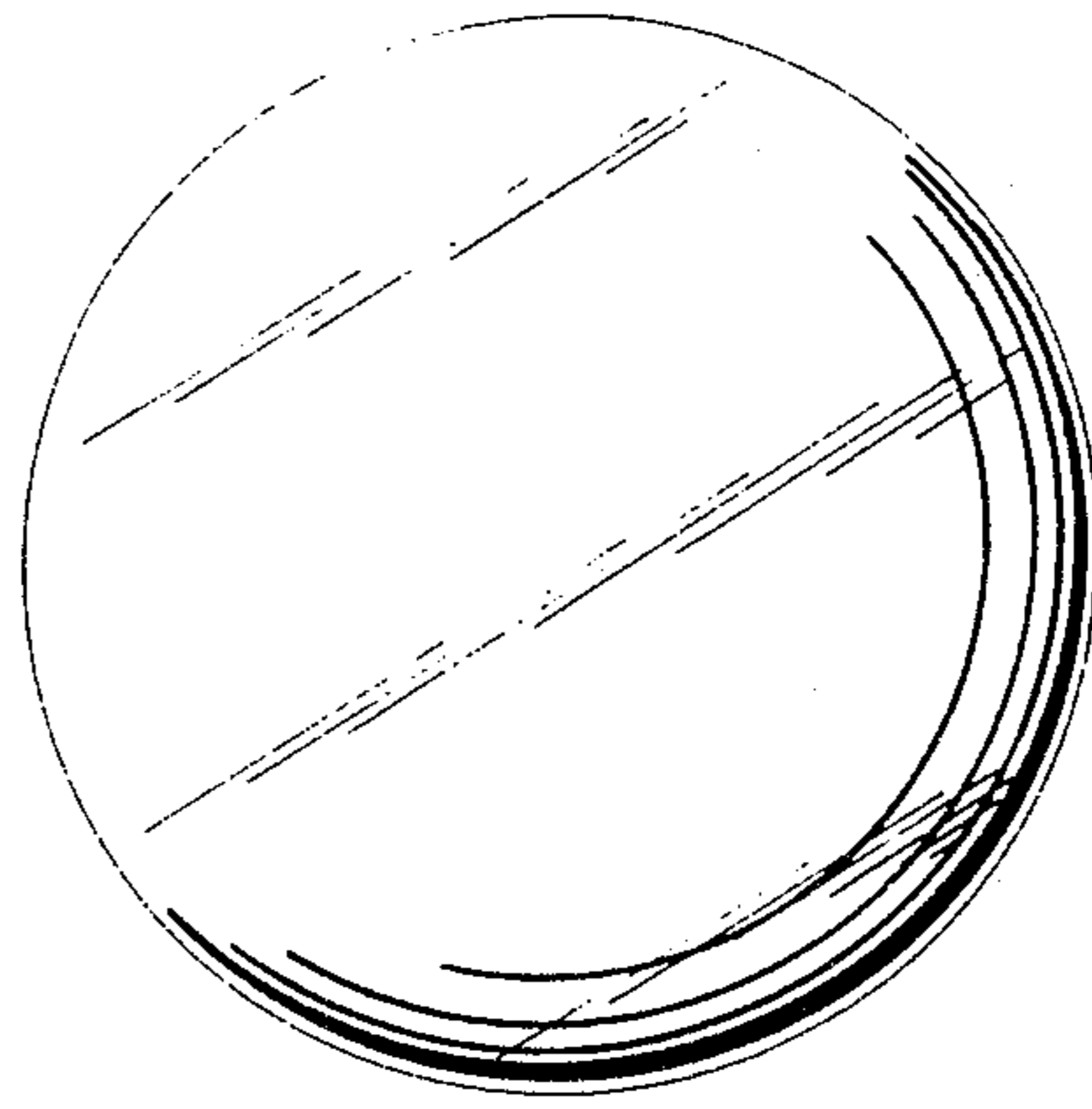
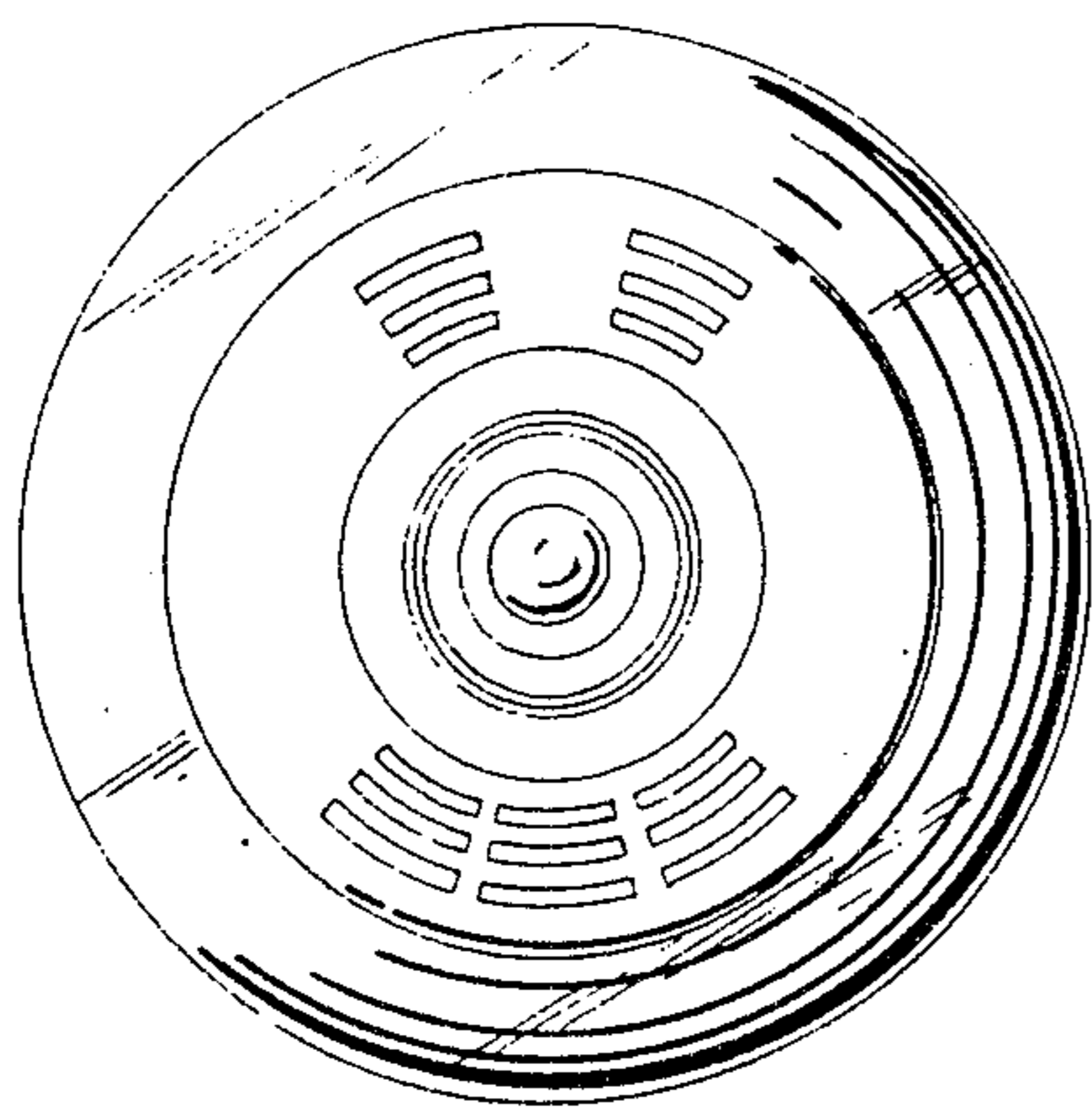
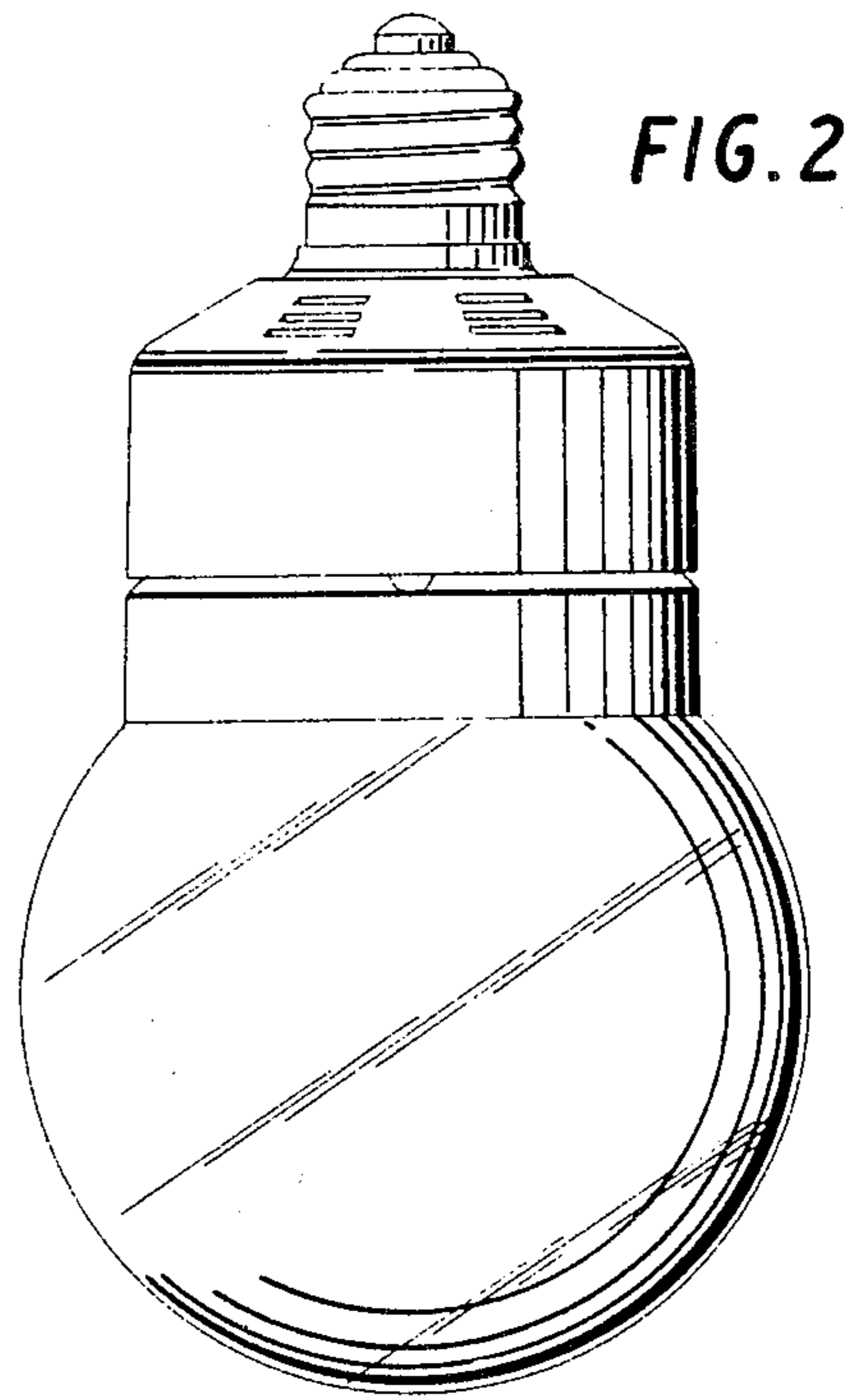
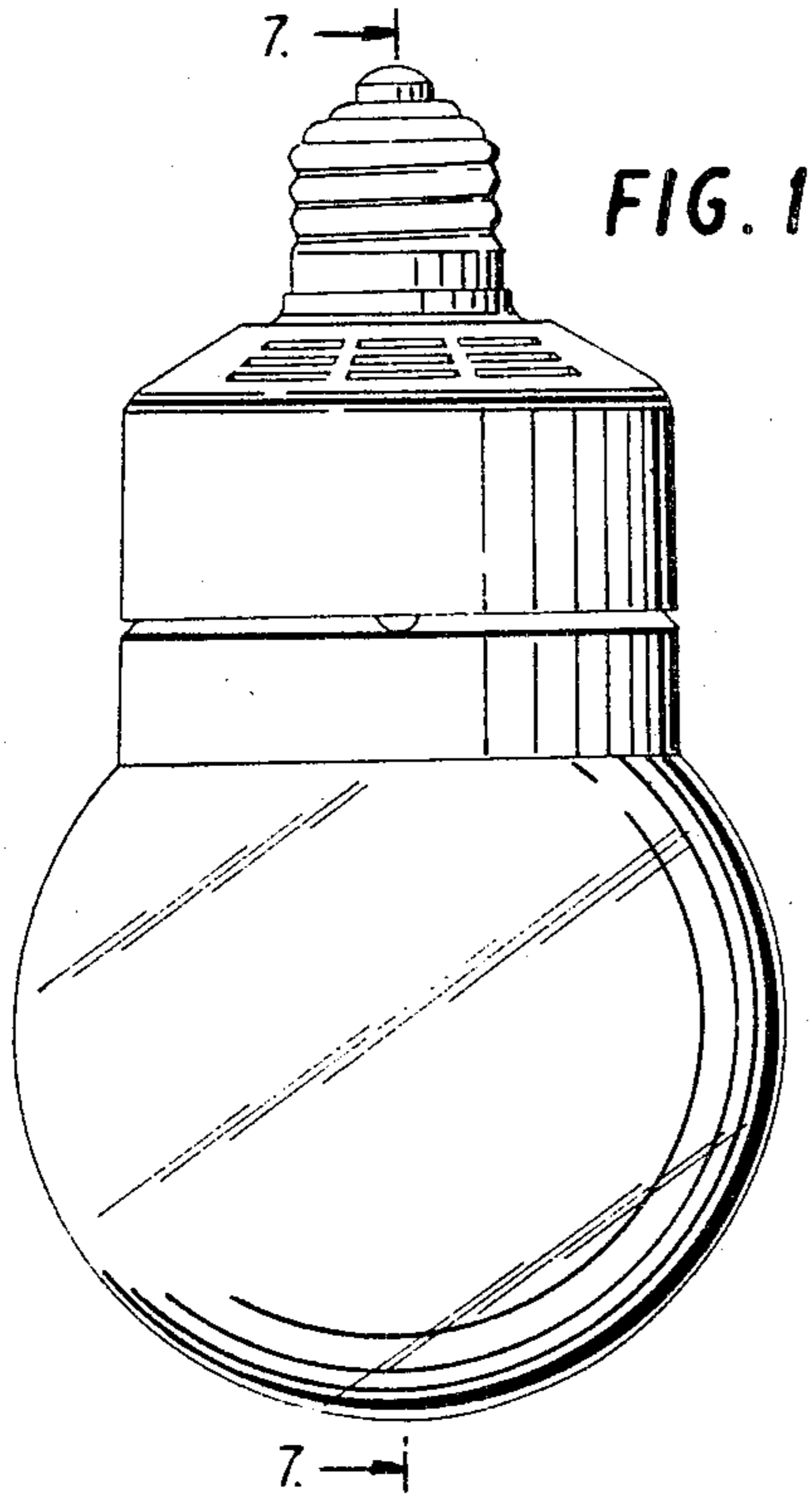
FIG. 14 is a perspective view thereof;

FIG. 15 is a cross-sectional view thereof as taken along line 15—15 of FIG. 9; and

FIG. 16 is a cross-sectional view thereof as taken along line 16—16 of FIG. 13.

The globe of the first embodiment is translucent. The globe of the second embodiment is transparent.





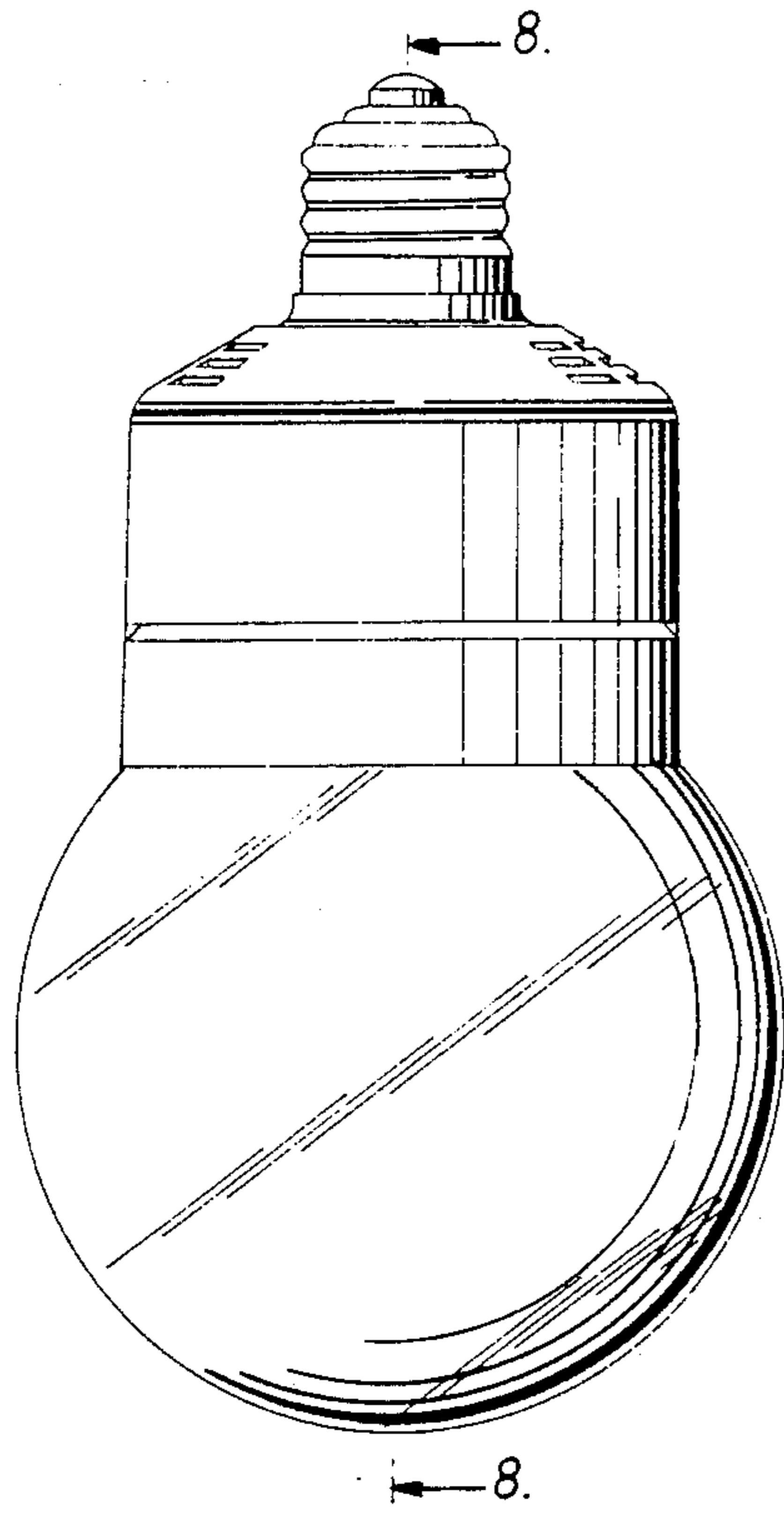


FIG. 5

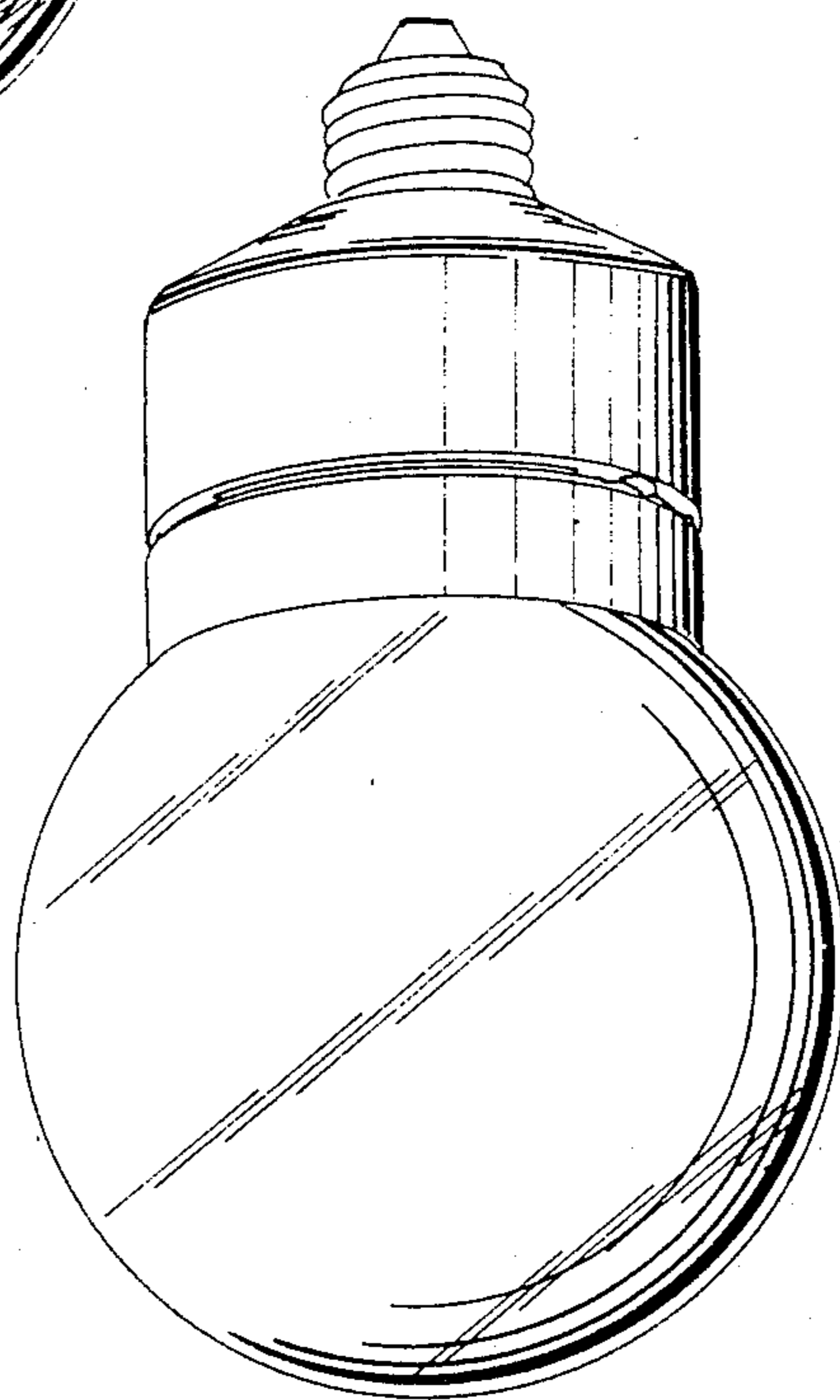


FIG. 6

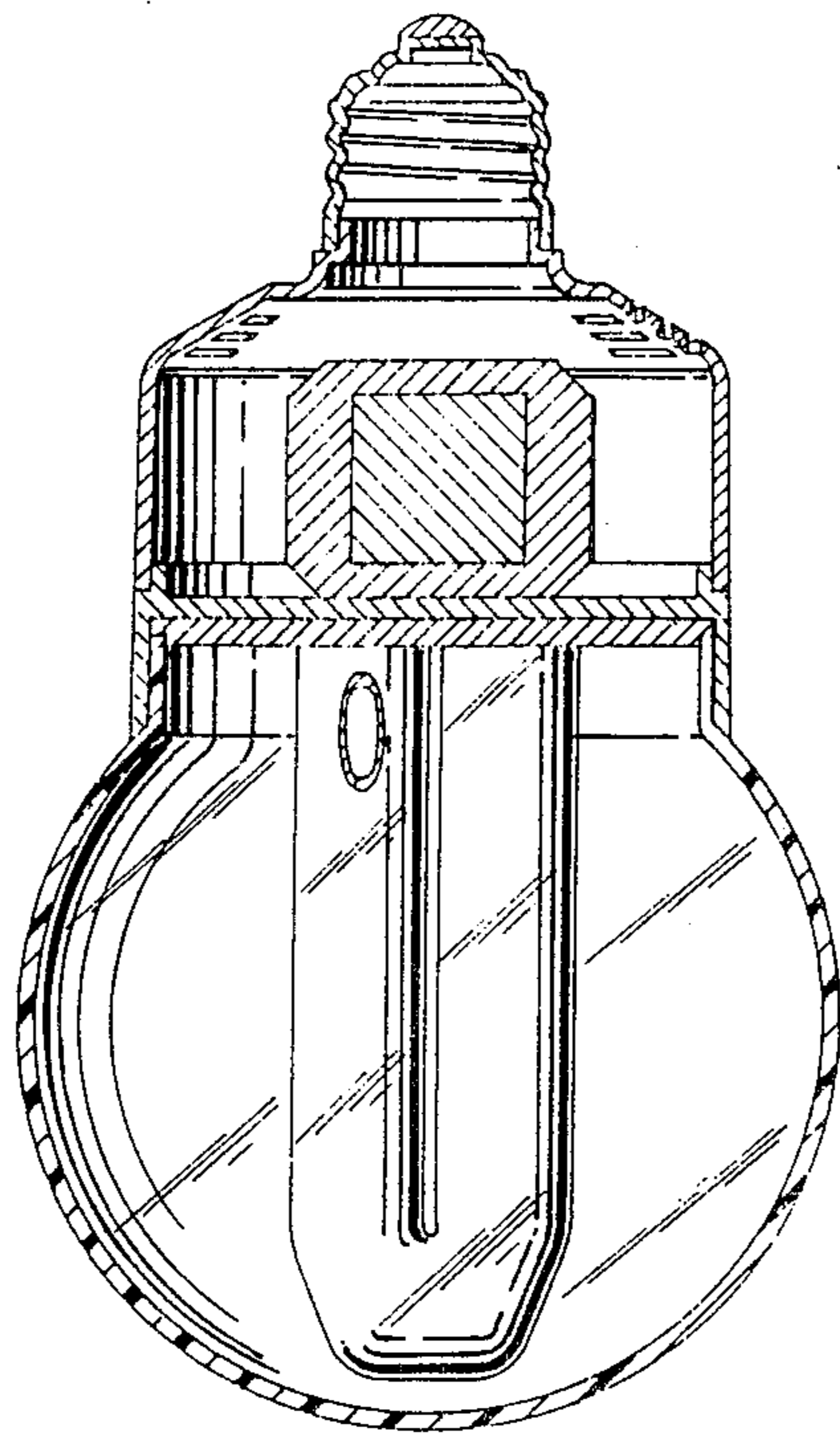


FIG. 7

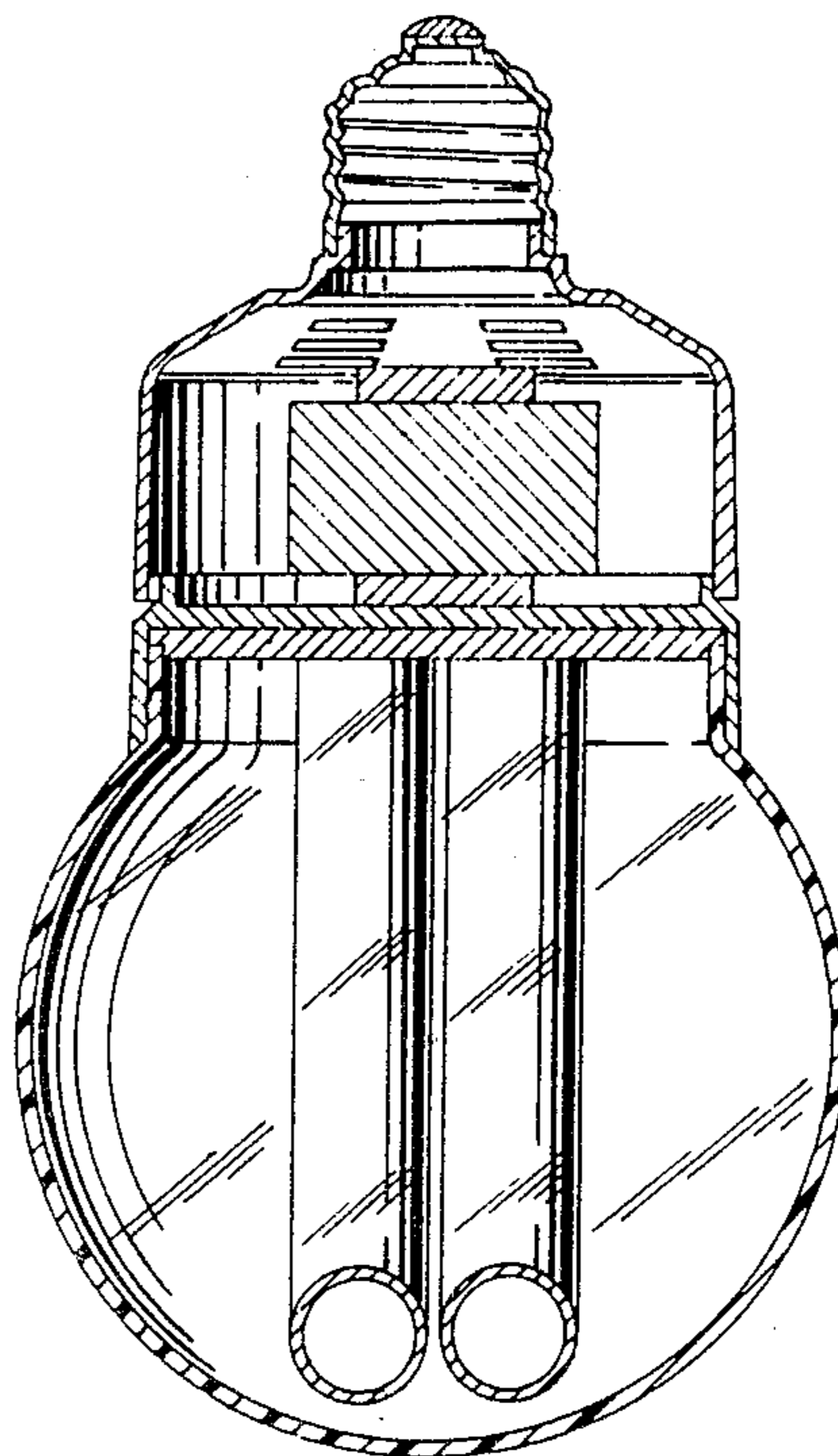
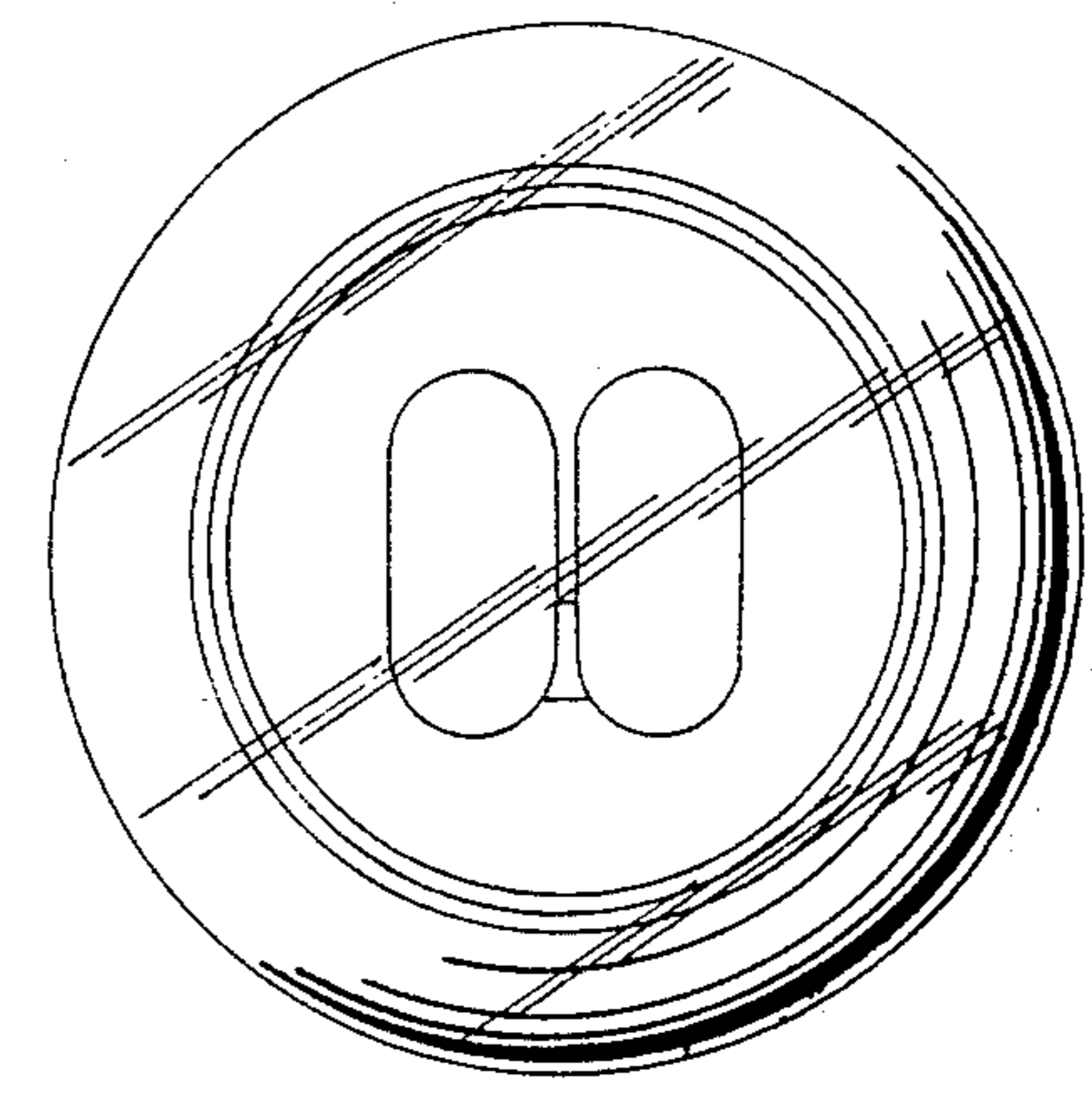
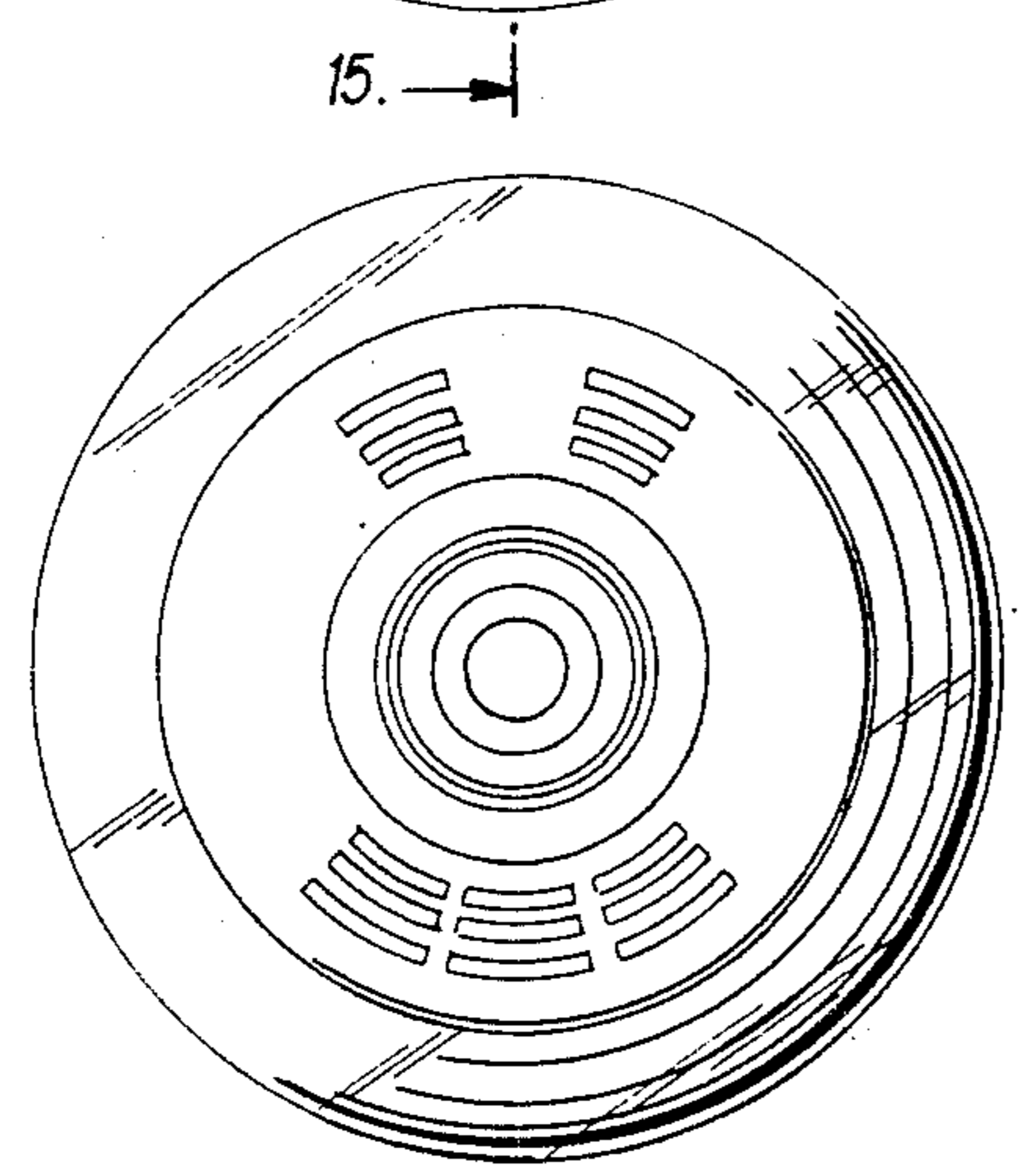
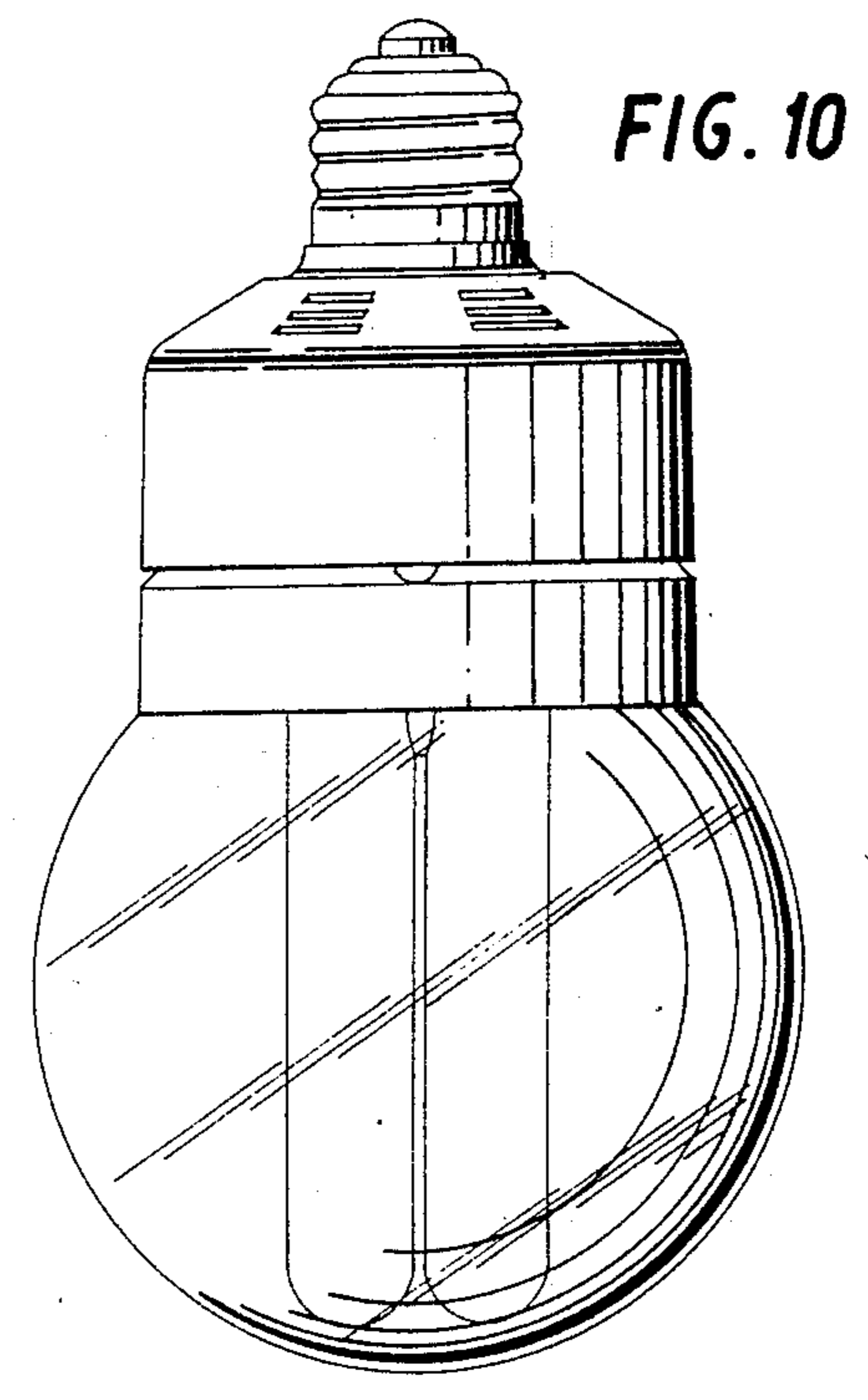
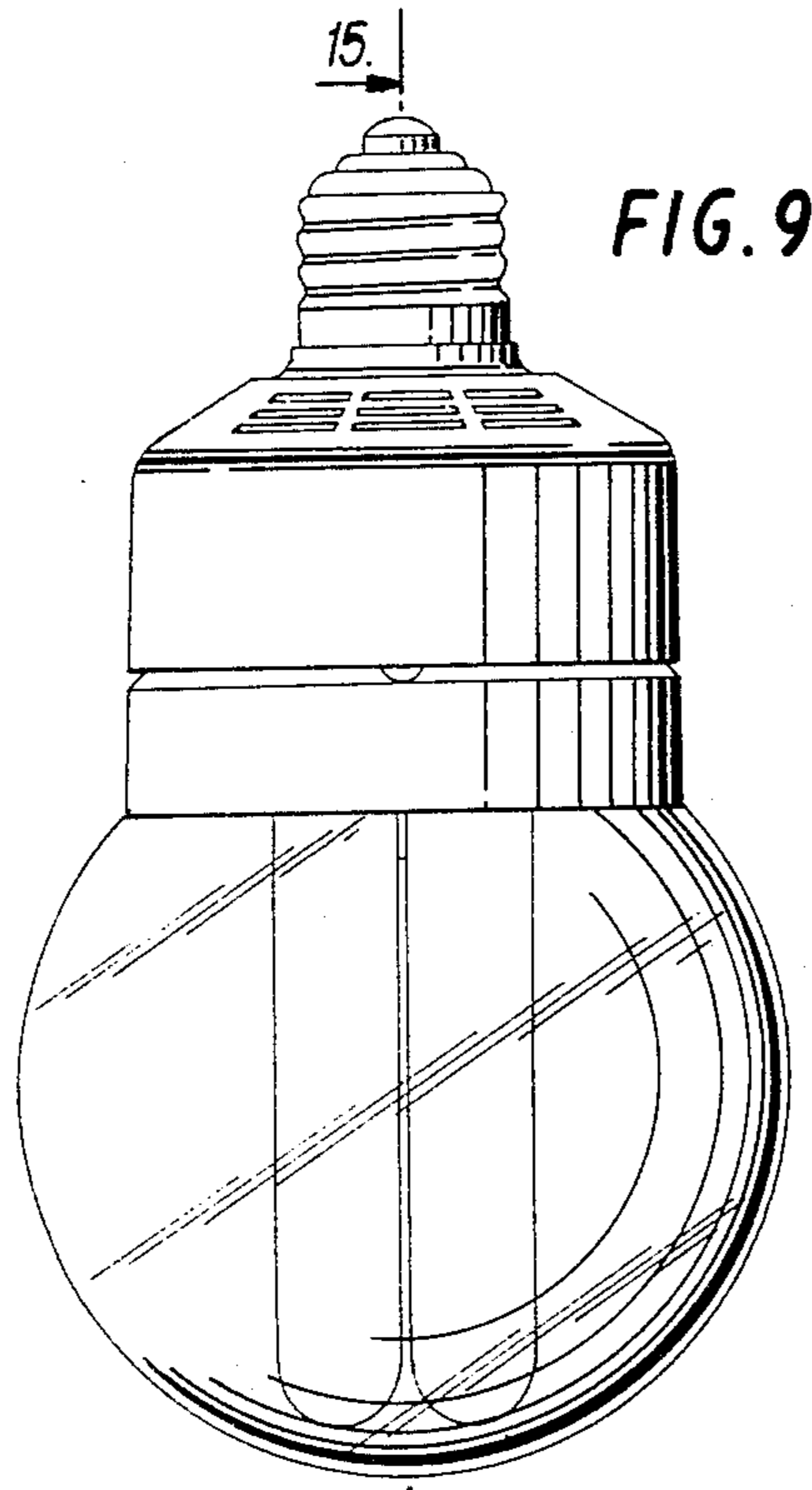


FIG. 8



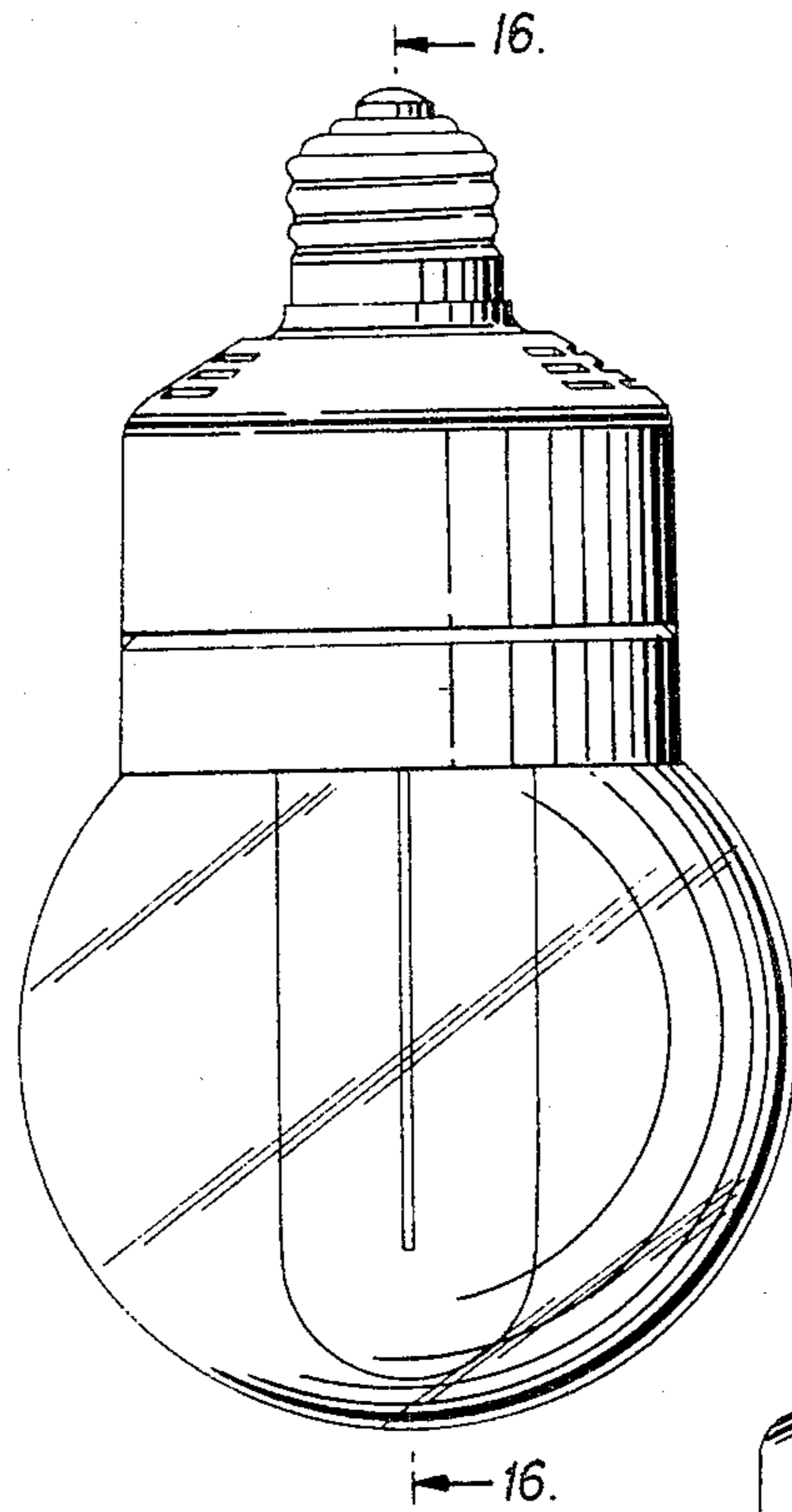


FIG. 13

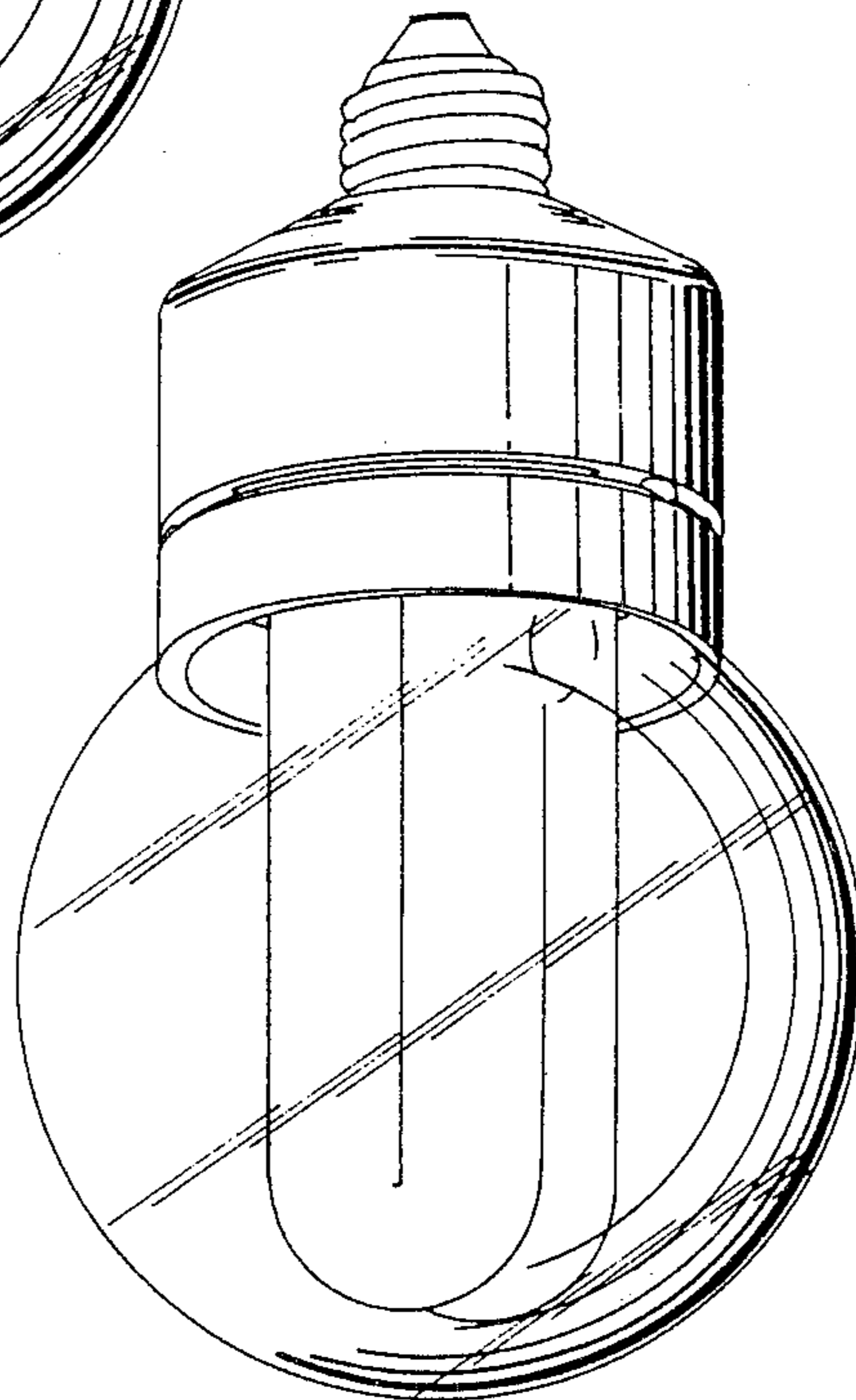


FIG. 14

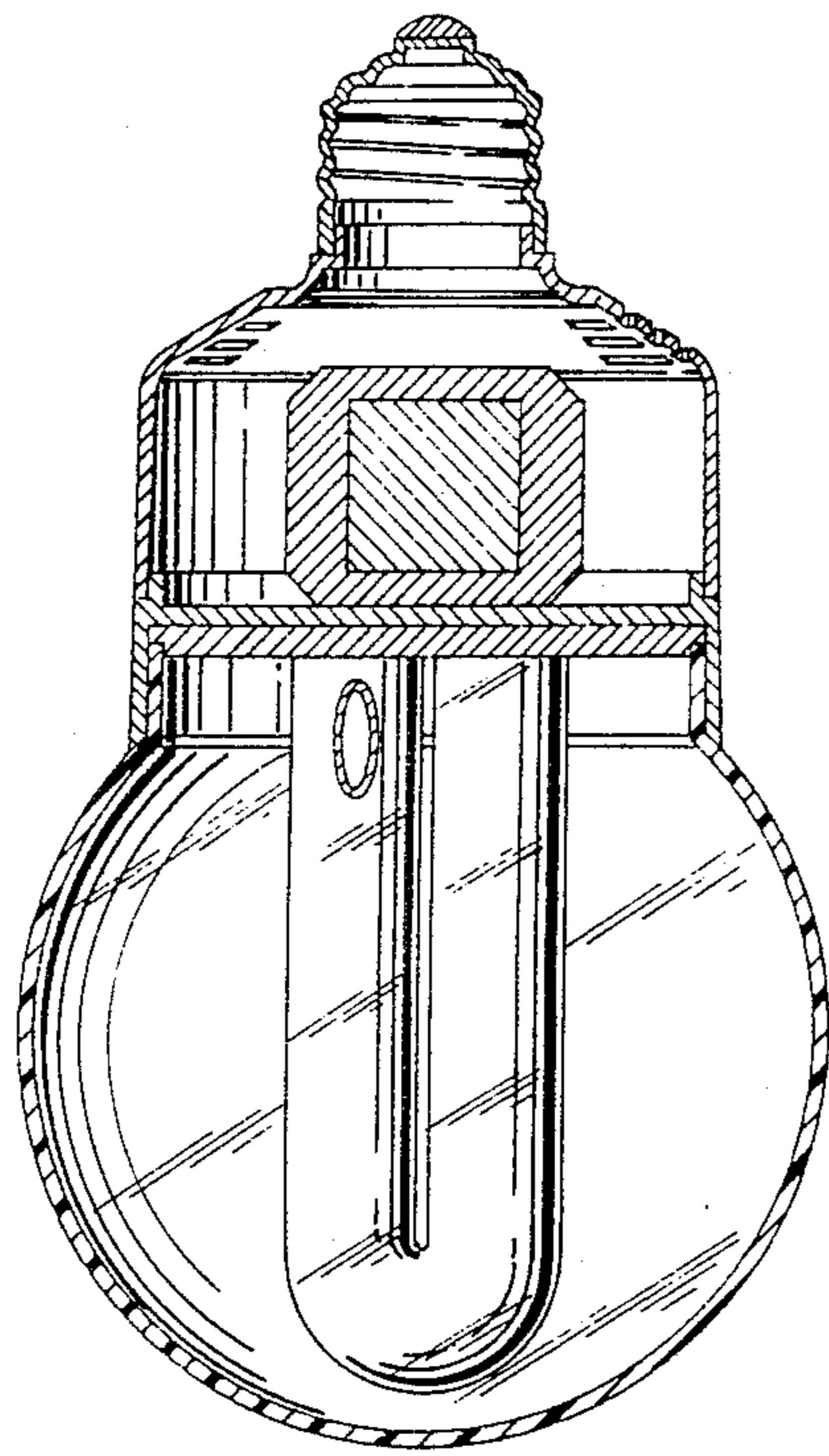


FIG. 15

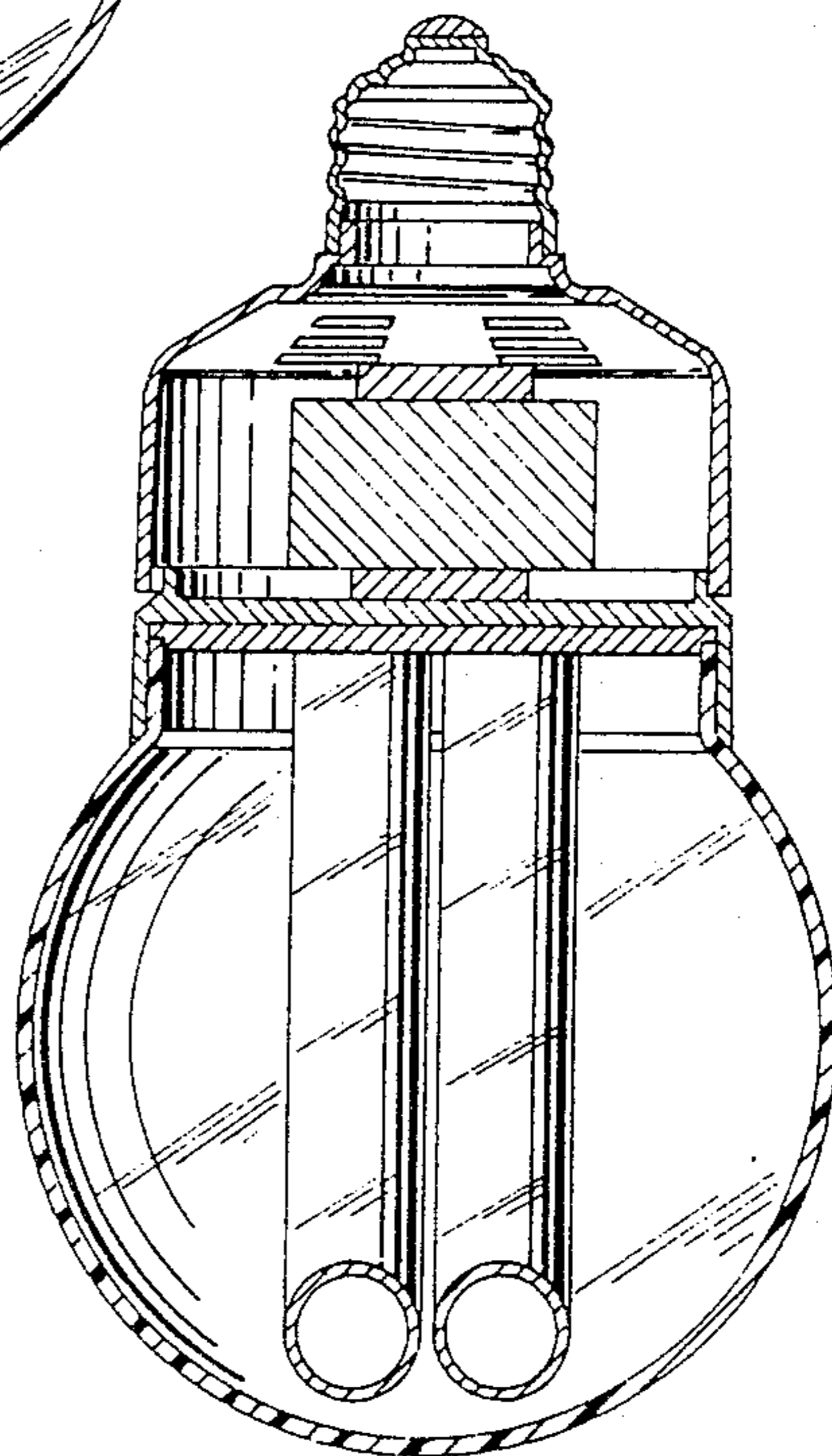


FIG. 16