

[54] MEDICINE DISPENSING CUP

[76] Inventors: Jan-Erik Johansson, Räfsta, Vallentuna, Sweden, 18600; Hakan K. Bergkvist, Beckombergavägen 72, Bromma, Sweden, 161 53

[**] Term: 14 Years

[21] Appl. No.: 517,301

[22] Filed: Jul. 26, 1983

[30] Foreign Application Priority Data

Jan. 26, 1983 [SE] Sweden 830209

[52] U.S. Cl. D24/34

[58] Field of Search D24/34, 21, 17, 63; D7/6, 11, 13; 215/347; 23/230, 259; D9/435, 443

[56] References Cited

U.S. PATENT DOCUMENTS

D. 222,375 10/1971 Bencik D7/6
3,391,847 7/1968 Christine et al. D9/443

OTHER PUBLICATIONS

Aloe Medical Supplies catalogue #210 (1966) Call No.

RD/76/.A45, Design Examiners' Library, p. 221, item EA-00100 (Bowls, Solution).

Primary Examiner—Wallace R. Burke
Assistant Examiner—Brian N. Vinson
Attorney, Agent, or Firm—Pollock, Vande Sande & Priddy

[57] CLAIM

The ornamental design for a medicine dispensing cup, as shown and described.

DESCRIPTION

FIG. 1 is a top perspective view of a medicine dispensing cup showing my new design; FIG. 2 is a bottom exploded perspective view thereof; FIG. 3 is a front elevational view of the cup portion thereof, with the rear and side elevations being identical in appearance; FIG. 4 is a top plan view thereof; and FIG. 5 is a bottom plan view thereof. The lid portion has been omitted in FIGS. 3-5 for clarity of illustration.

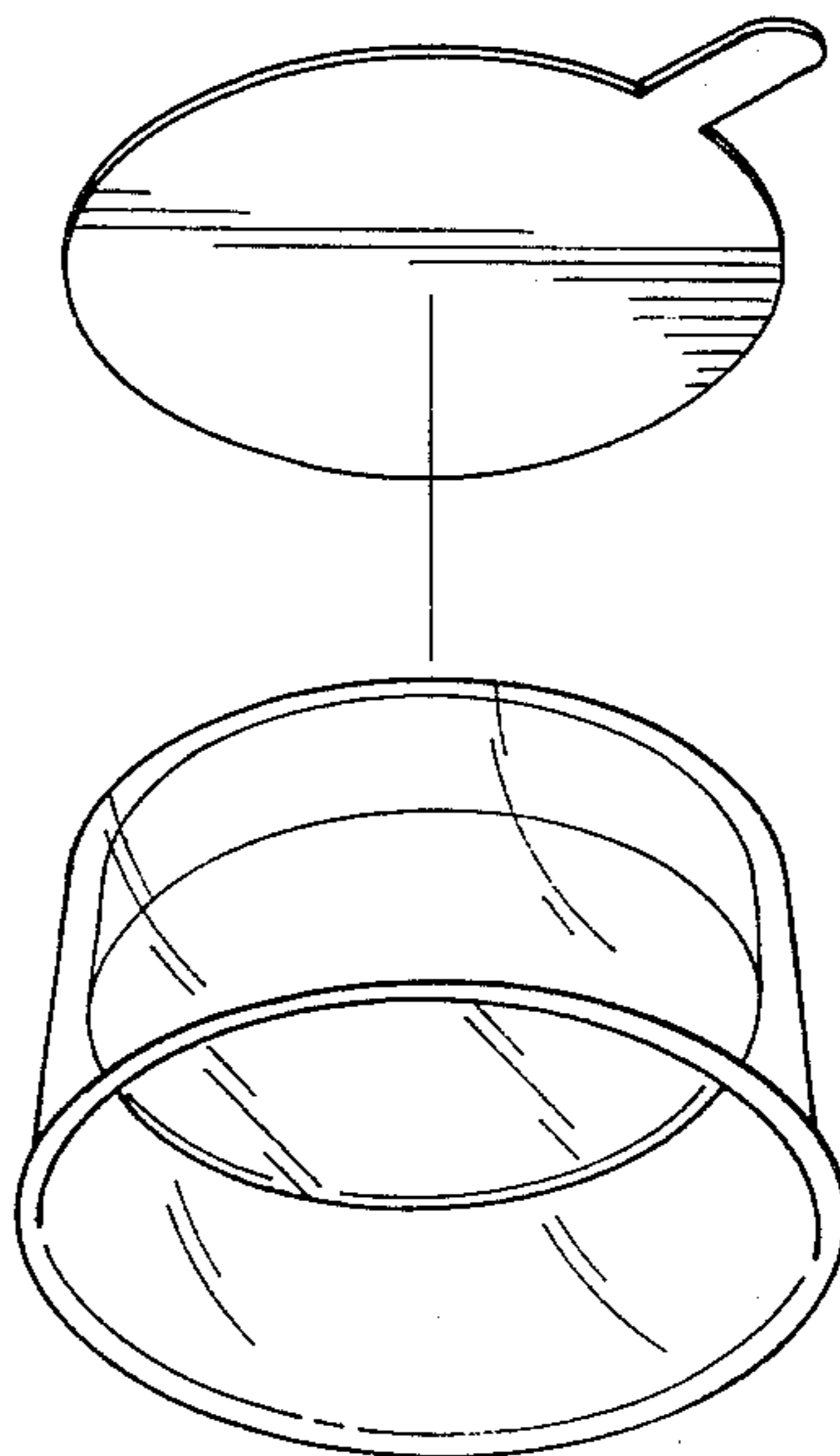


FIG 1

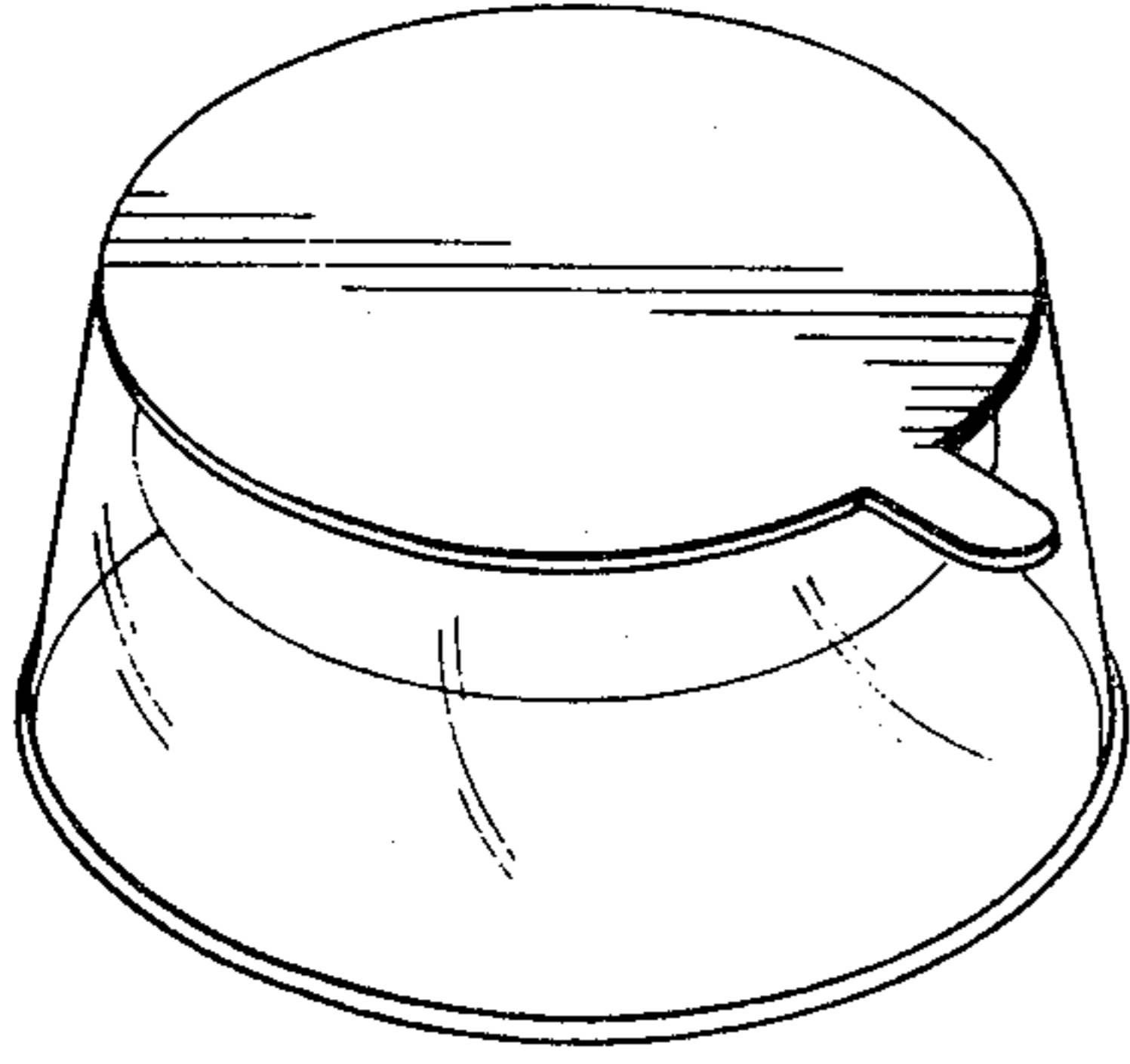


FIG 2

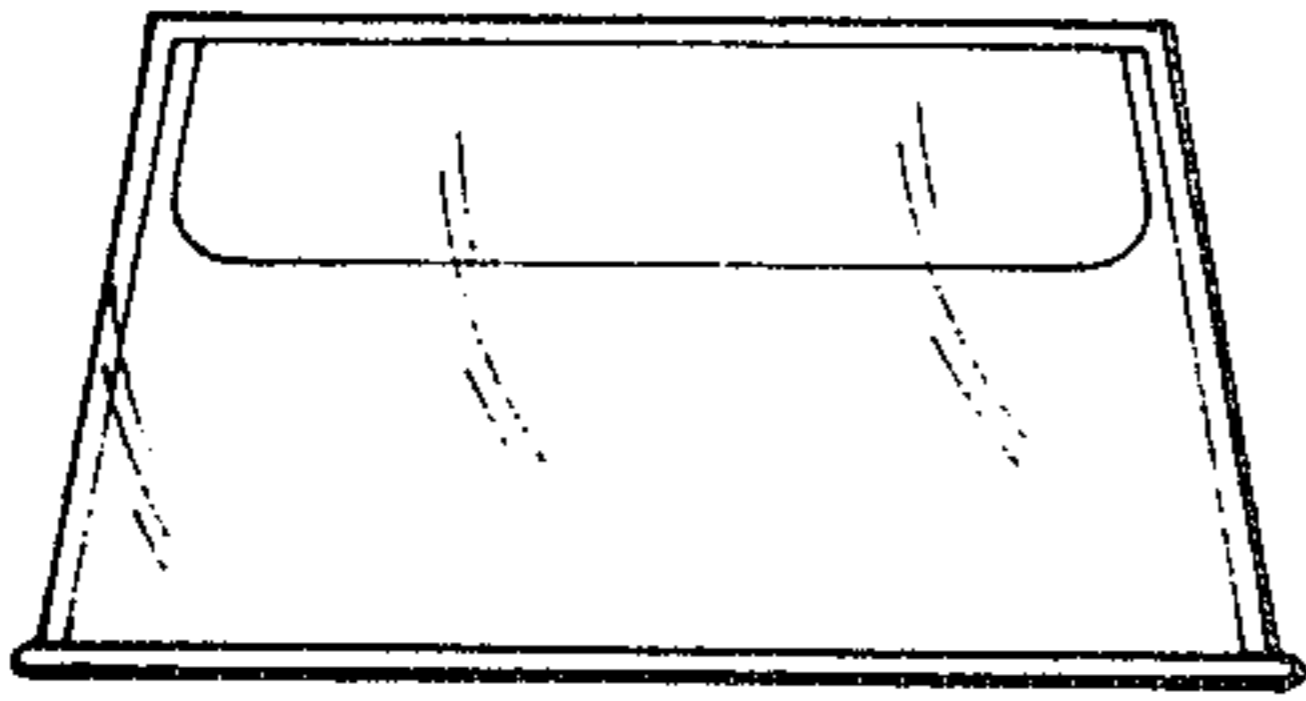
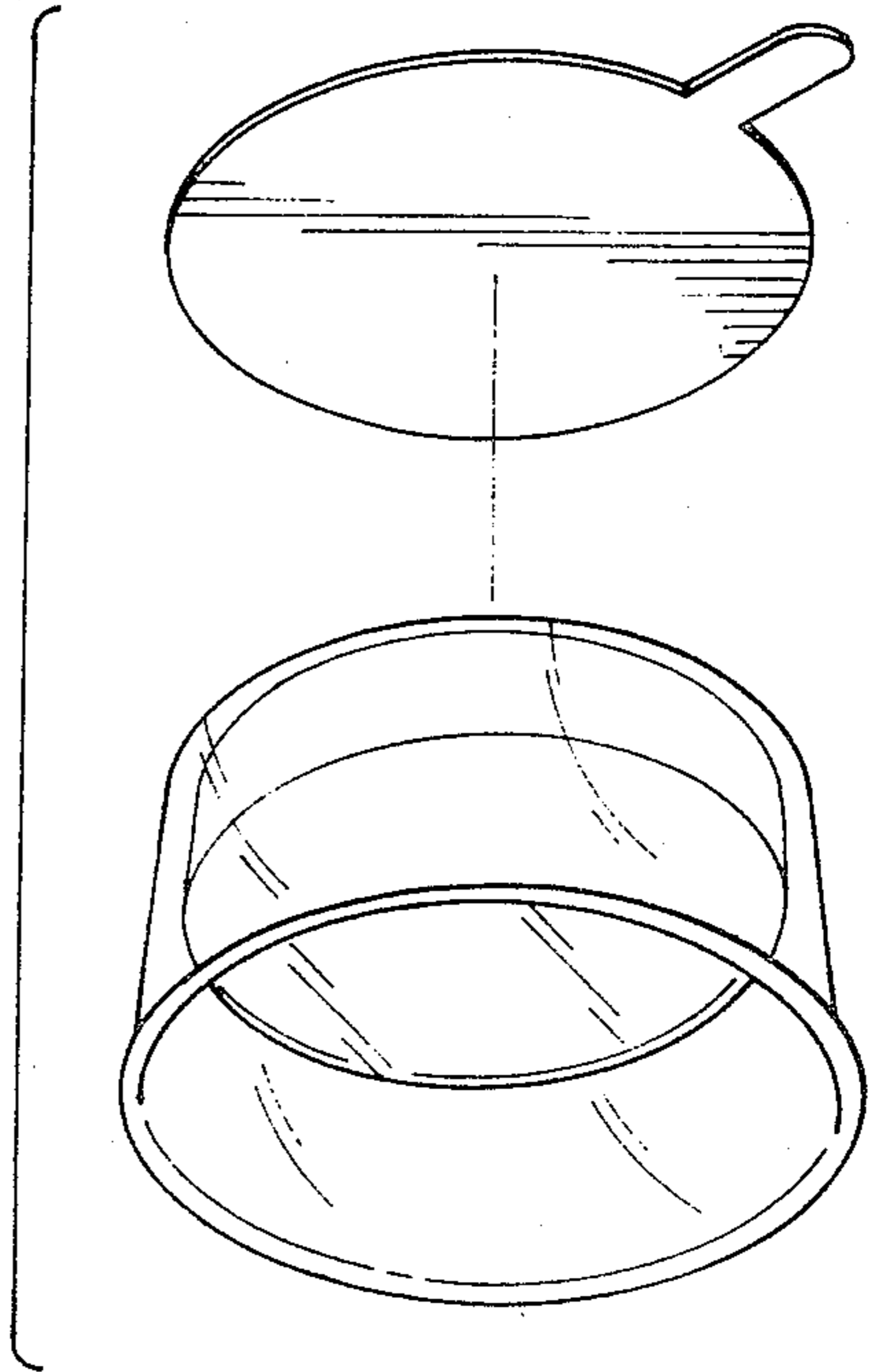


FIG 3

FIG 5

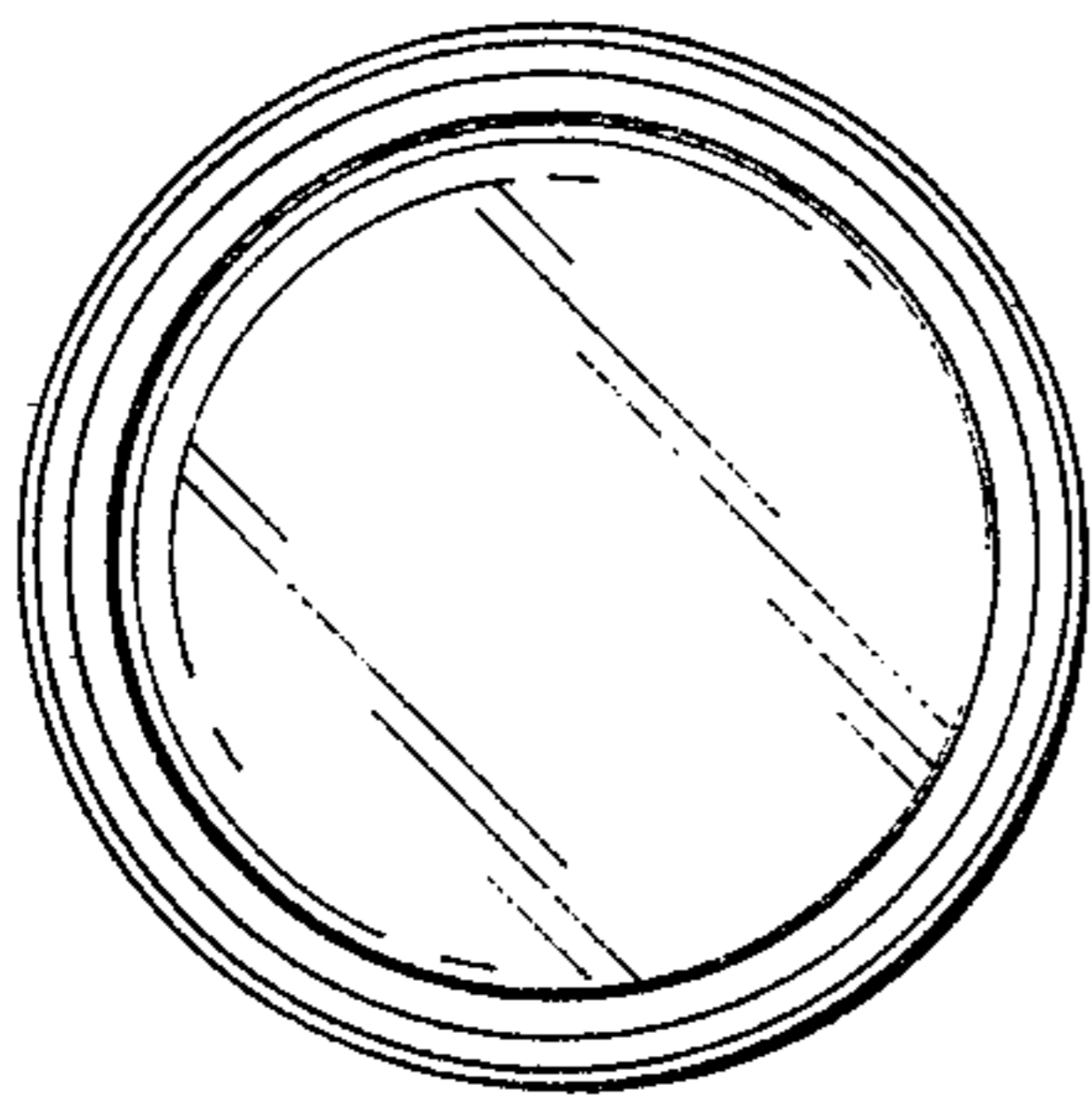
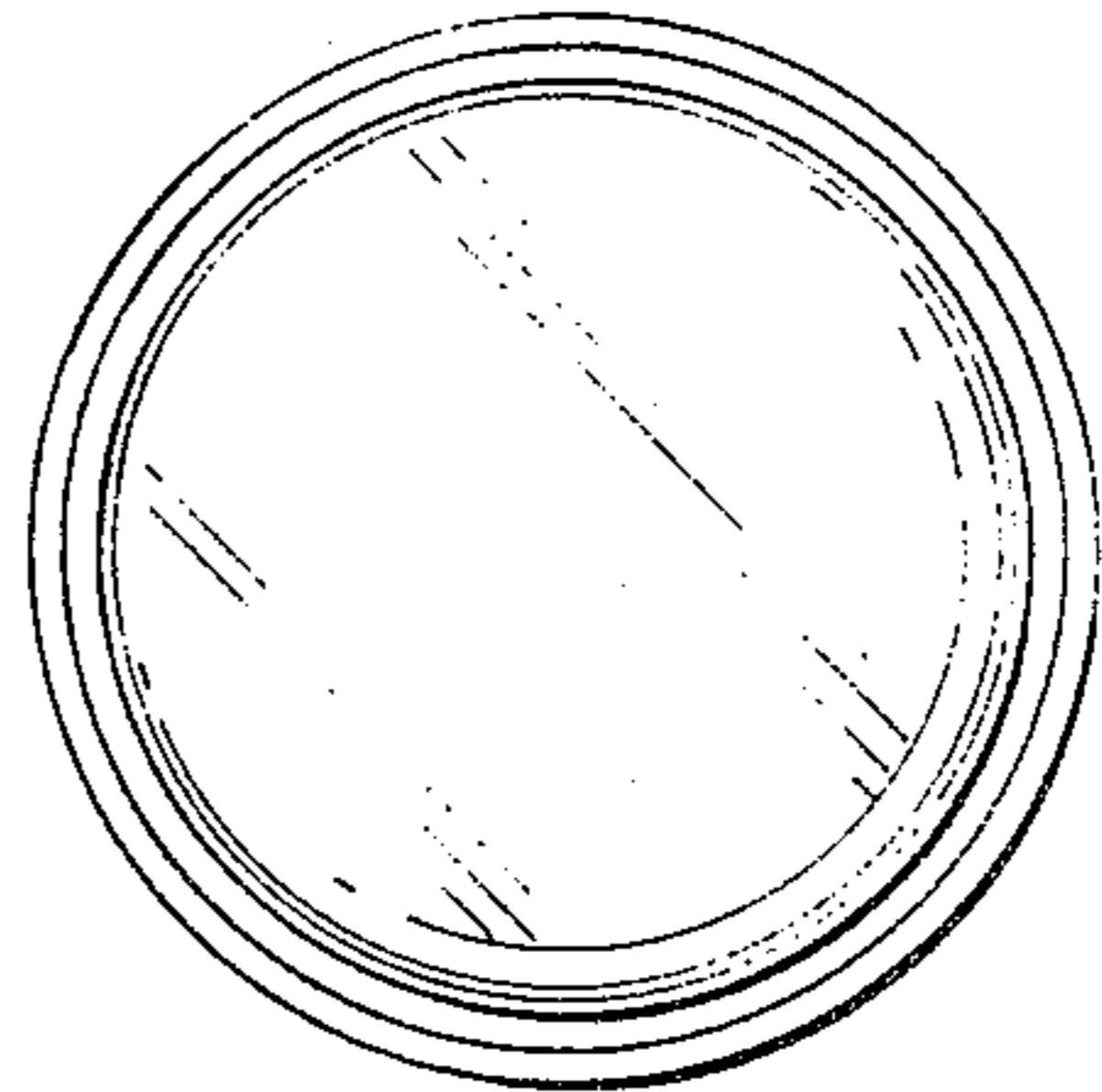


FIG 4