

[54] COMBINATION OBSTETRICAL CHAIR AND COVER

[76] Inventor: Sanford L. Simons, 9188 S. Turkey Creek Rd., Morrison, Colo. 80465

[**] Term: 14 Years

[21] Appl. No.: 491,745

[22] Filed: May 5, 1983

[52] U.S. Cl. D24/3

[58] Field of Search D24/34, 3; 312/209

[56] References Cited

U.S. PATENT DOCUMENTS

- 3,334,951 8/1967 Douglass, Jr. D24/3
- 3,348,893 10/1967 Katzfey et al. 312/209

OTHER PUBLICATIONS

Aloe Medical Furniture & Equipment catalogue #230 (1966) Call No. RD/76/.A45, Design Examiner's Library, p. 52—"The Vega".
 Aloe Medical Supplies catalogue #210 (1966) Call No.

RD/76/.A45, Design Examiner's Library, p. 45—"Operating and Examining Table".

Aloe Medical Supplies catalogue #210 (1966) Call No. RD/76/.A45, Design Examiner's Library, p. 221—"Bowls, Sponge".

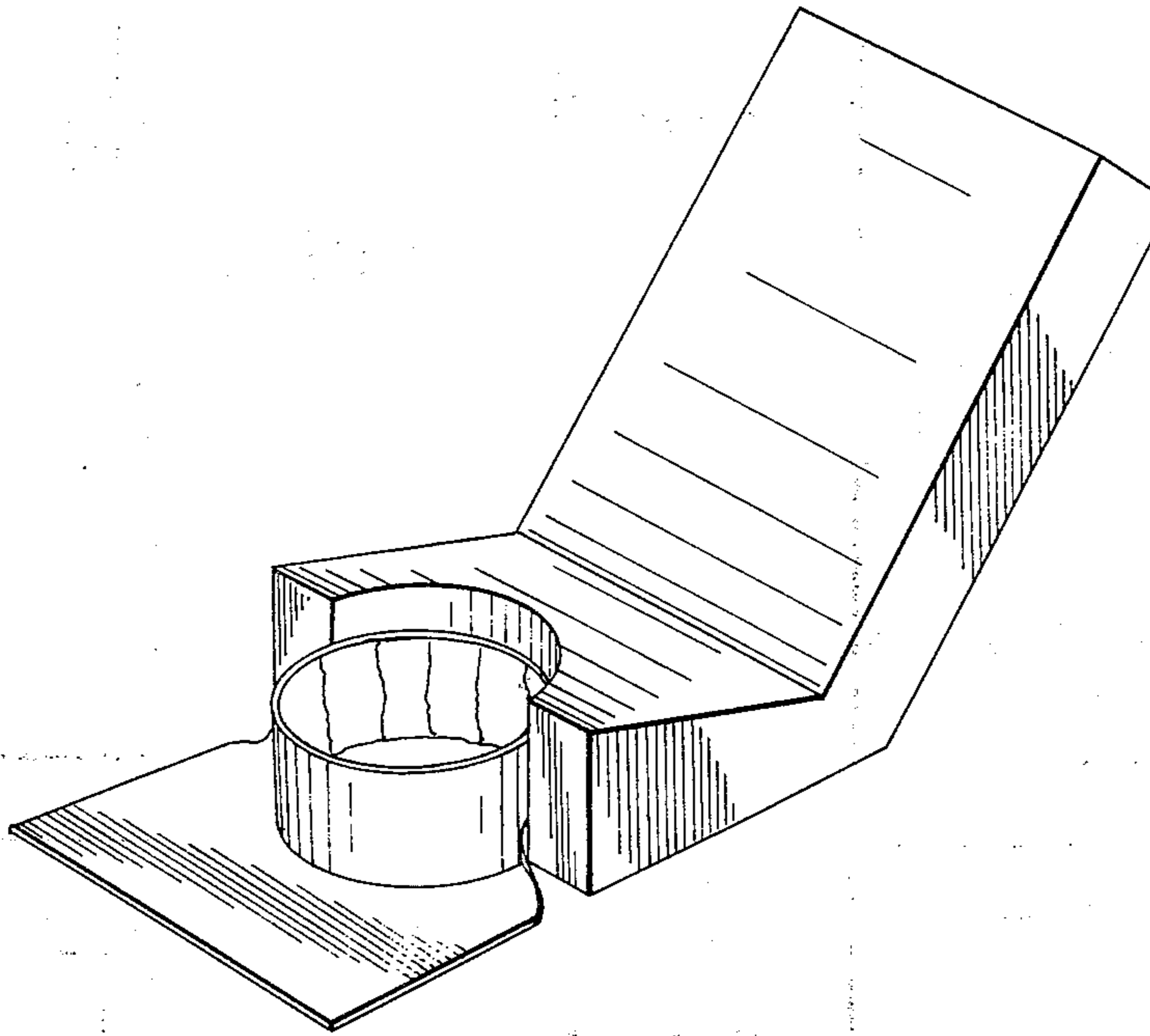
Primary Examiner—Wallace R. Burke
 Assistant Examiner—Brian N. Vinson
 Attorney, Agent, or Firm—Max L. Wymore

[57] CLAIM

The ornamental design for a combination obstetrical chair and cover, as shown and described.

DESCRIPTION

FIG. 1 is a perspective view of the combination obstetrical chair and cover showing my new design;
 FIG. 2 is a side view thereof with the opposite side being a mirror image;
 FIG. 3 is a top plan view thereof;
 FIG. 4 is a bottom plan view thereof;
 FIG. 5 is a front view in elevation thereof; and,
 FIG. 6 is a rear view in elevation thereof.



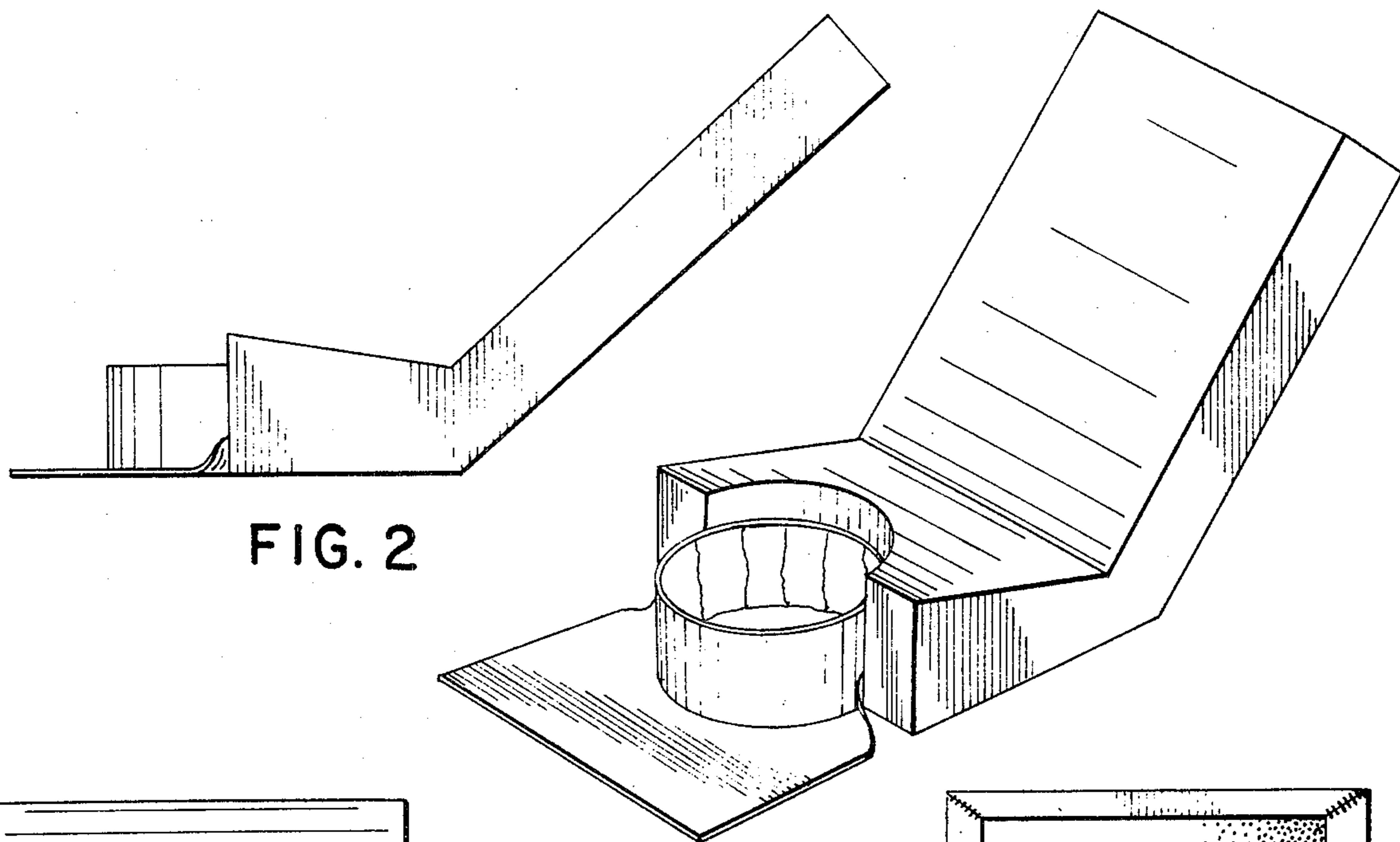


FIG. 2

FIG. 1

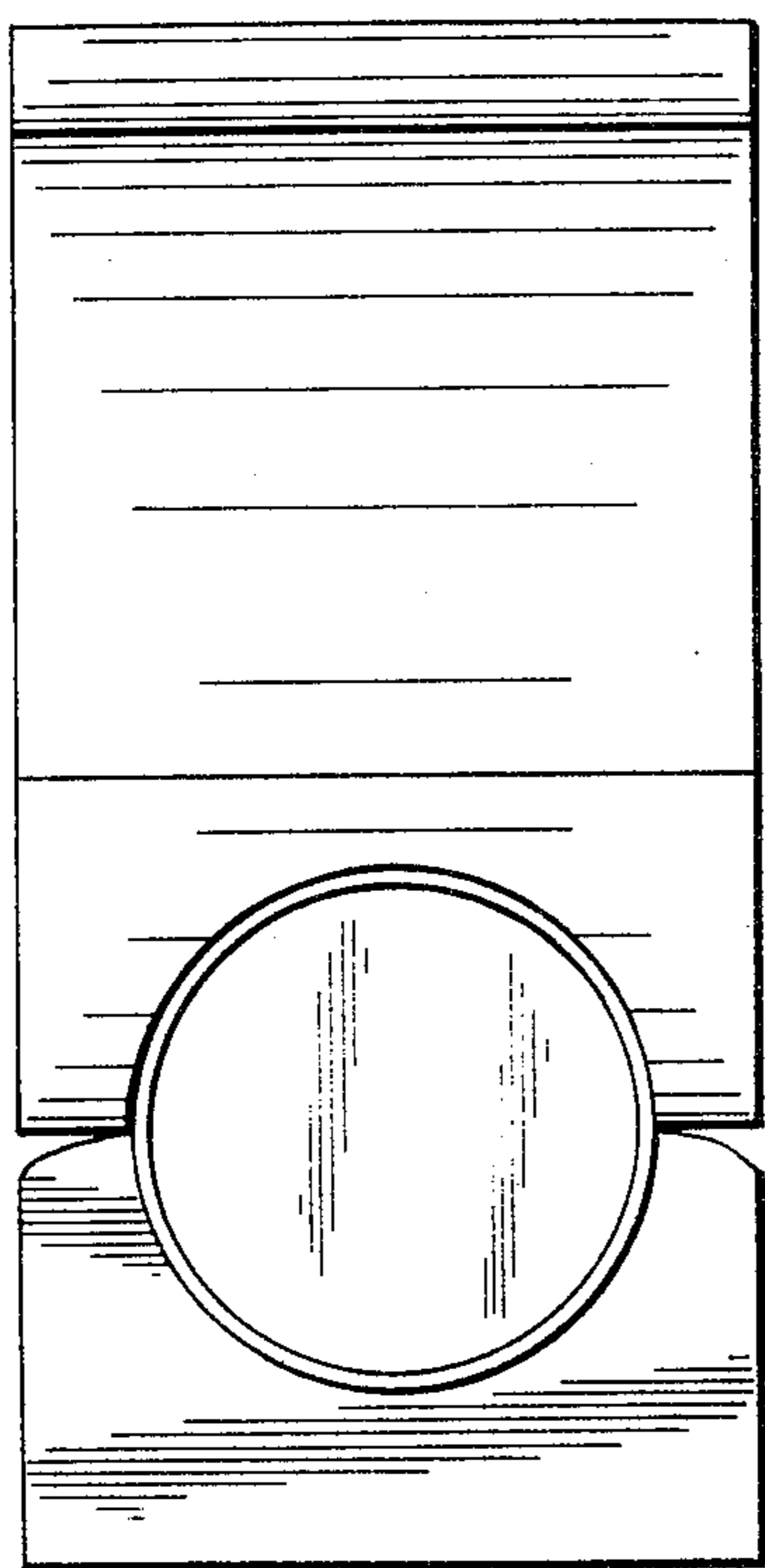


FIG. 3

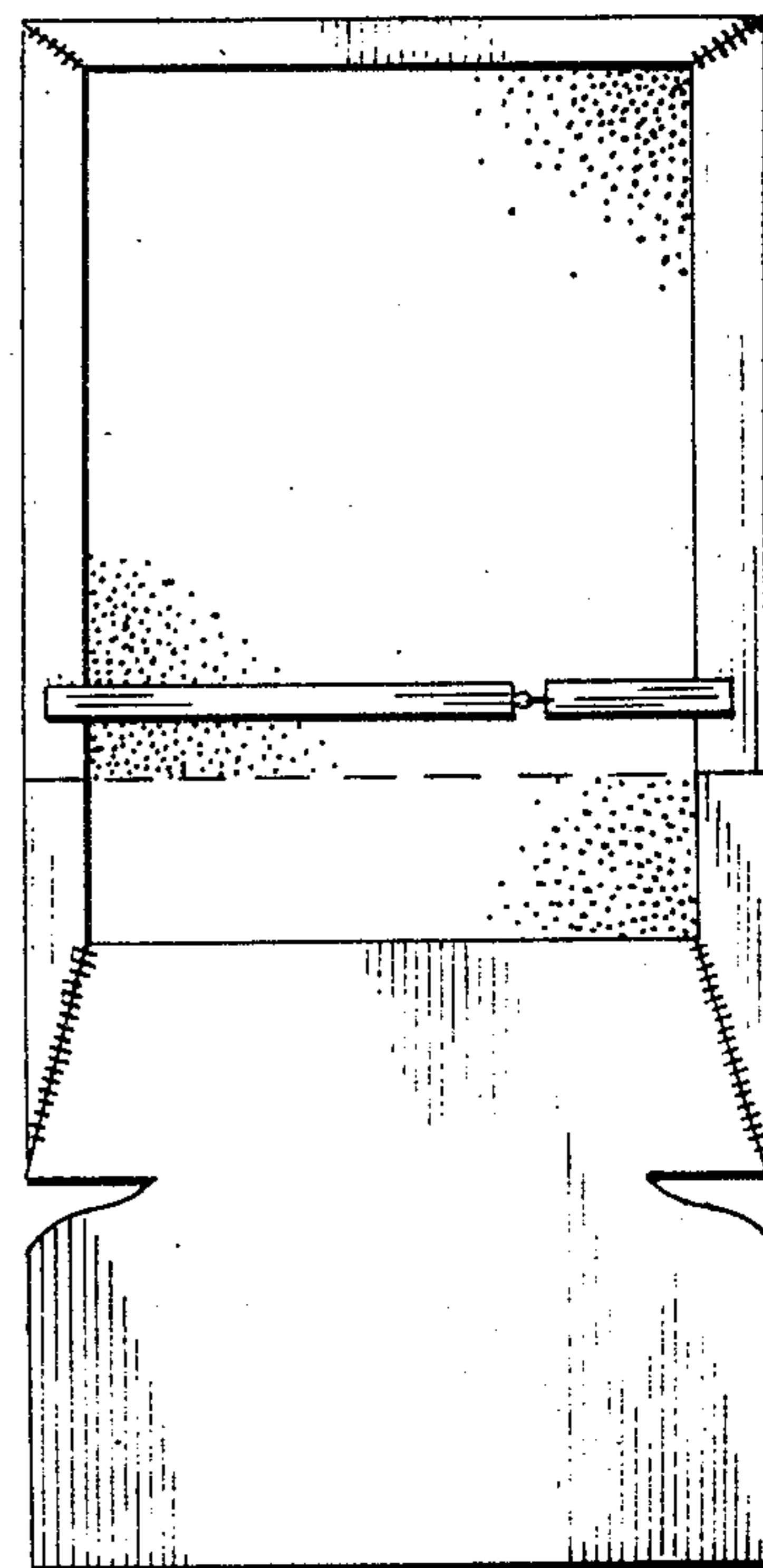


FIG. 4

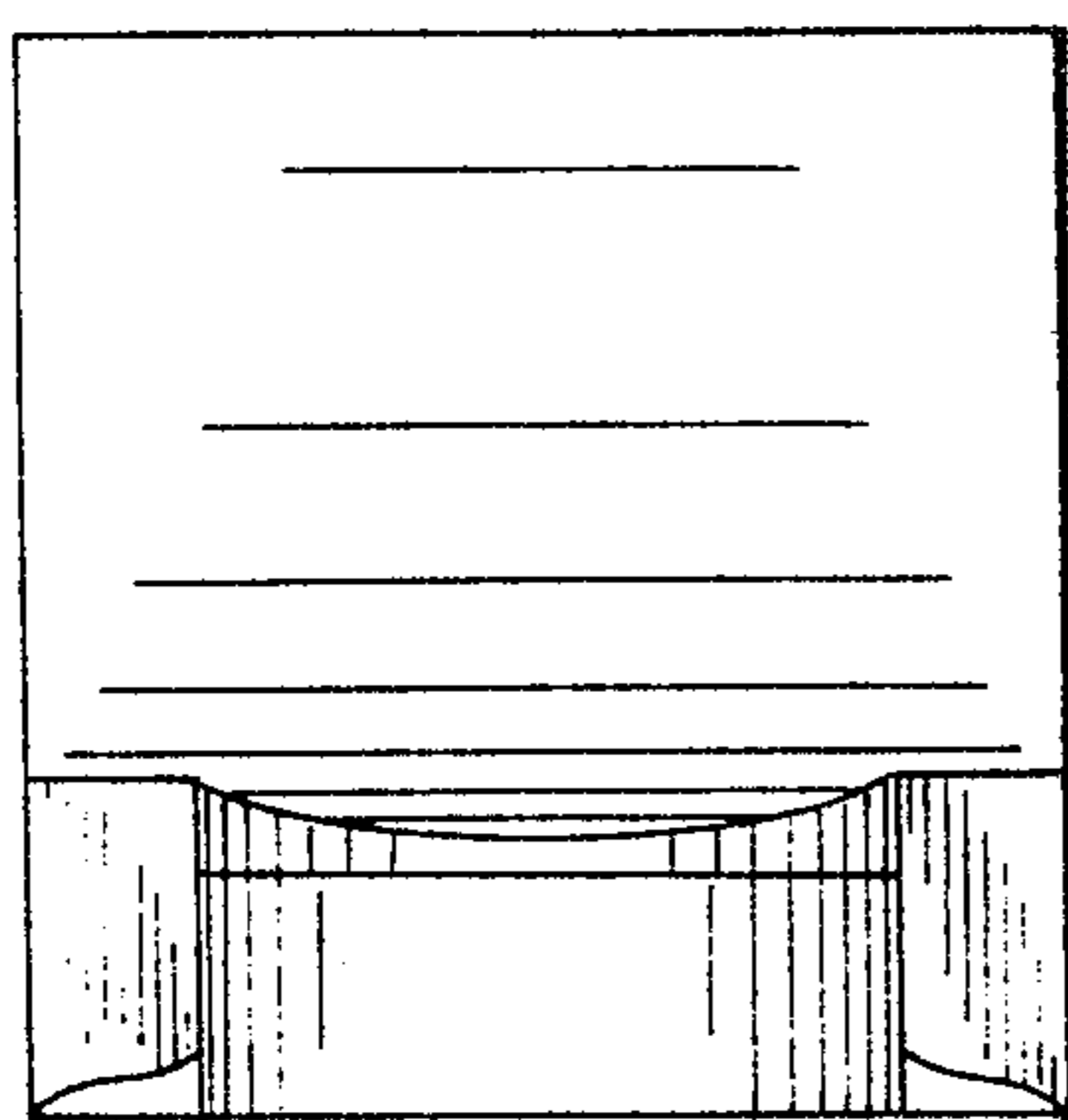


FIG. 5

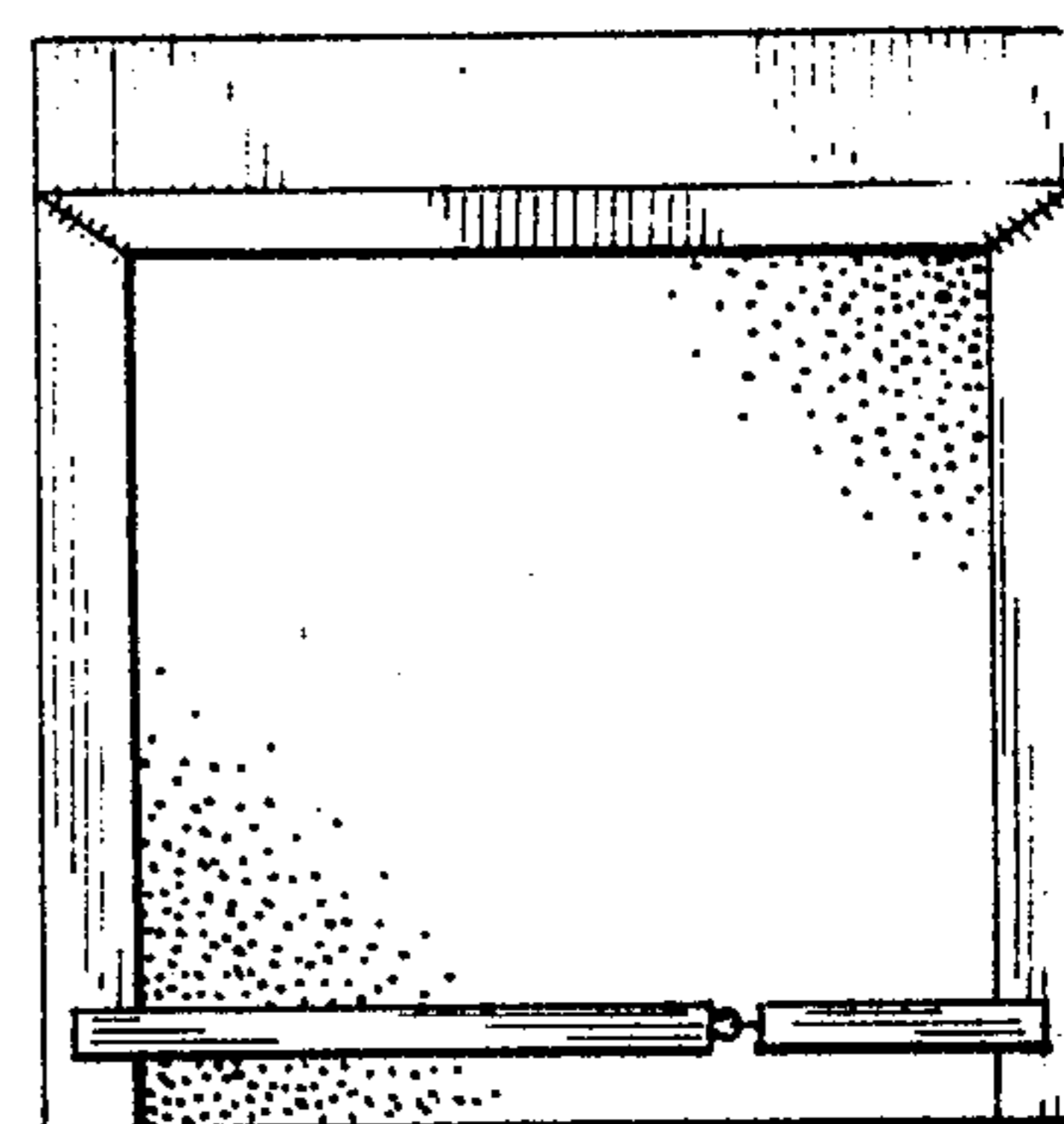


FIG. 6