

[54] HEEL ELEMENT FOR SKI BINDING

[75] Inventors: Herbert H. Schultes, Fürstenfeldbruck; Edwin Wahl, Munich, both of Fed. Rep. of Germany

[73] Assignee: Marker International Company, Salt Lake City, Utah

[\*\*] Term: 14 Years

[21] Appl. No.: 374,637

[22] Filed: May 3, 1982

[30] Foreign Application Priority Data

Nov. 3, 1981 [DE] Fed. Rep. of Germany ... MR 18676
[52] U.S. Cl. .... D21/230
[58] Field of Search ..... 280/619, 620, 621, 622, 280/623, 625, 635, 636; D21/230

[56] References Cited

U.S. PATENT DOCUMENTS

D. 209,762 1/1968 Vöster et al. .... D21/230
D. 268,776 4/1983 Beyl ..... D21/230
D. 274,449 6/1984 Segers et al. .... D21/230
4,261,595 4/1981 Smialowski et al. .... 280/623
4,365,822 12/1982 Nitschko et al. .... 280/625

OTHER PUBLICATIONS

Abitare, 1-1979, p. 71, Ski Binding.

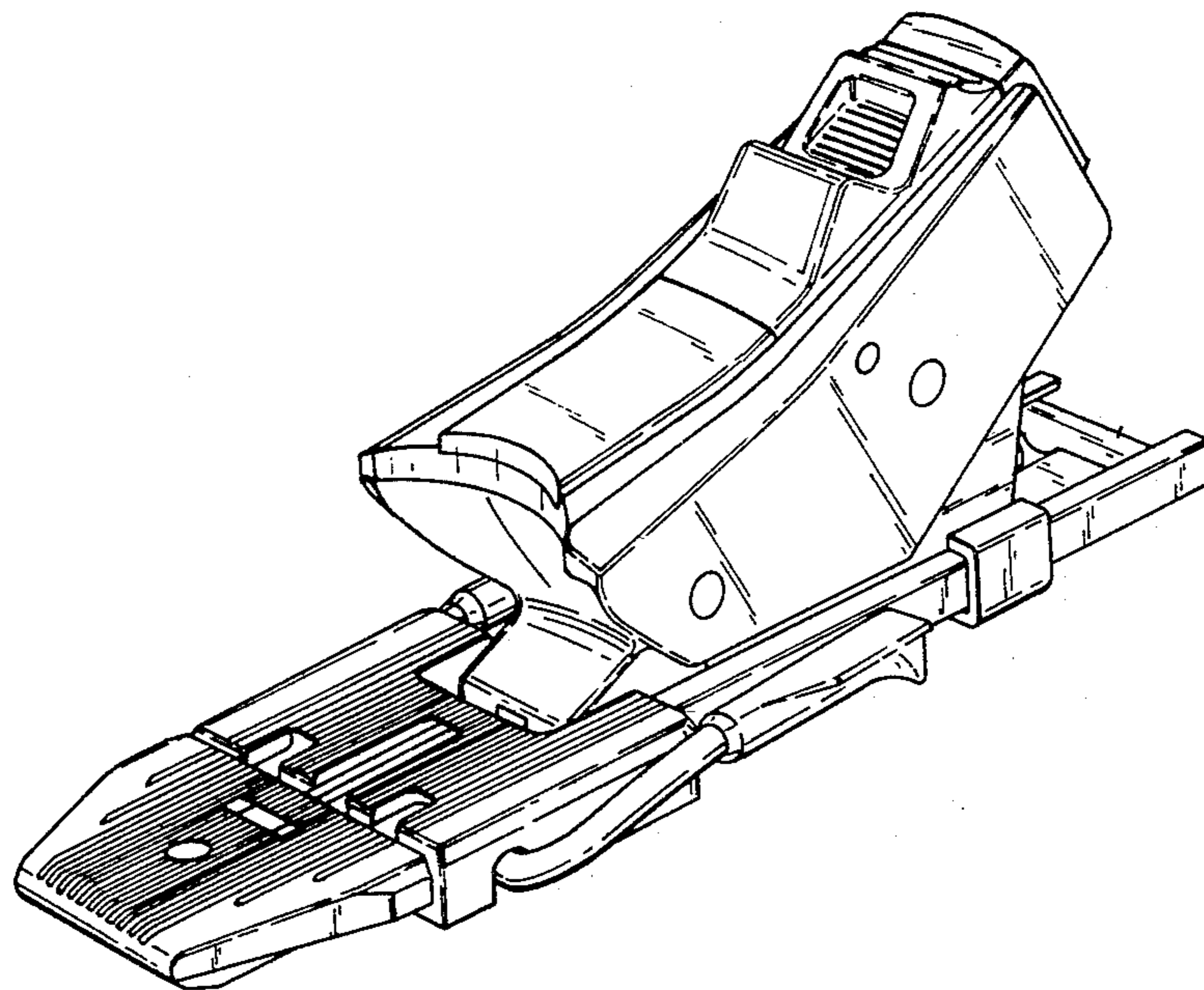
Primary Examiner—Charles A. Rademaker
Attorney, Agent, or Firm—D. Peter Hochberg

[57] CLAIM

The ornamental design for a heel element for ski binding, as shown.

DESCRIPTION

FIG. 1 is a front perspective view of a heel element for ski binding showing our new design;
FIG. 2 is a top plan view thereof;
FIG. 3 is a side elevational view thereof;
FIG. 4 is a front elevational view thereof; and,
FIG. 5 is a rear elevational view thereof.



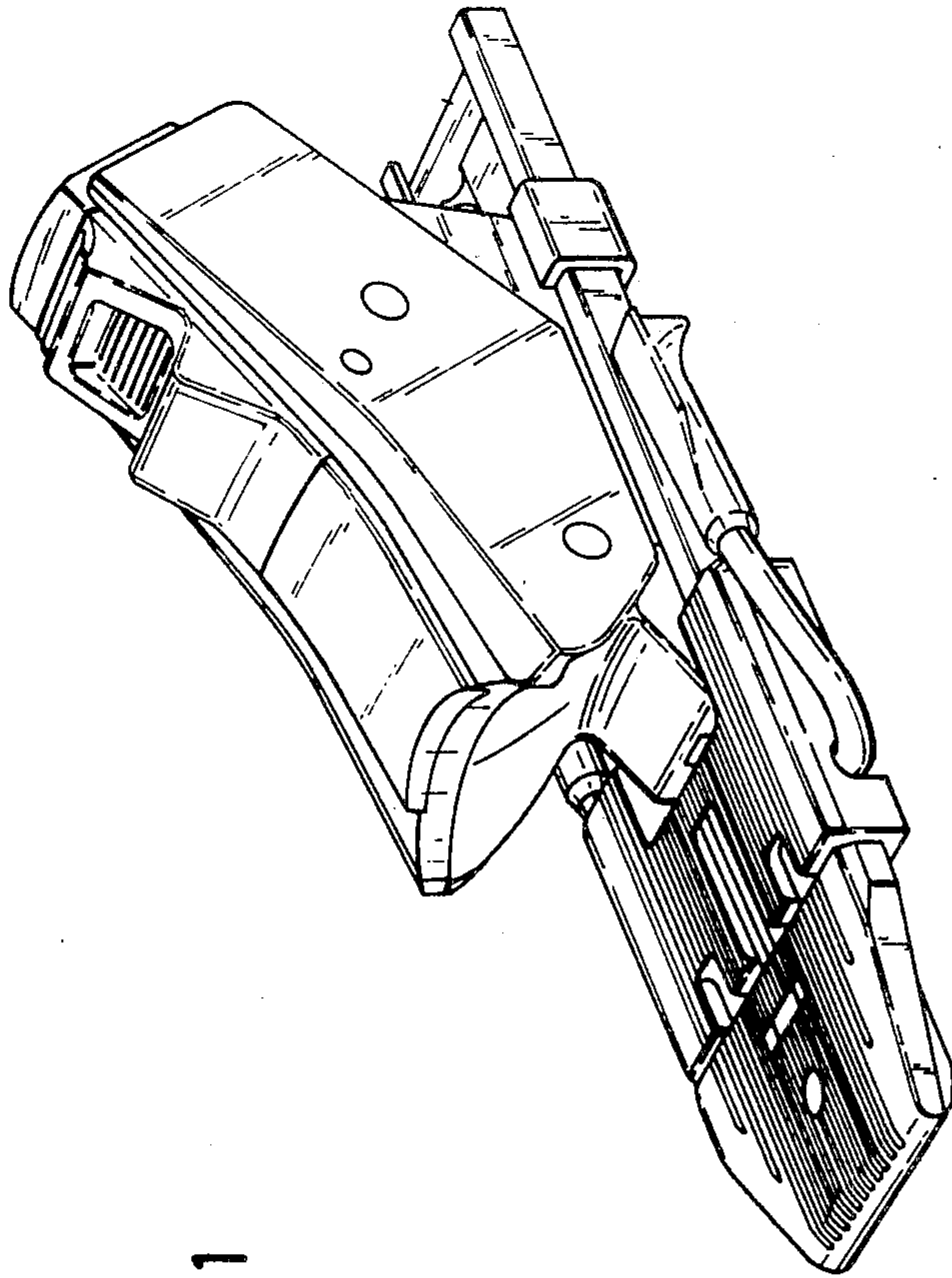


FIG. 1

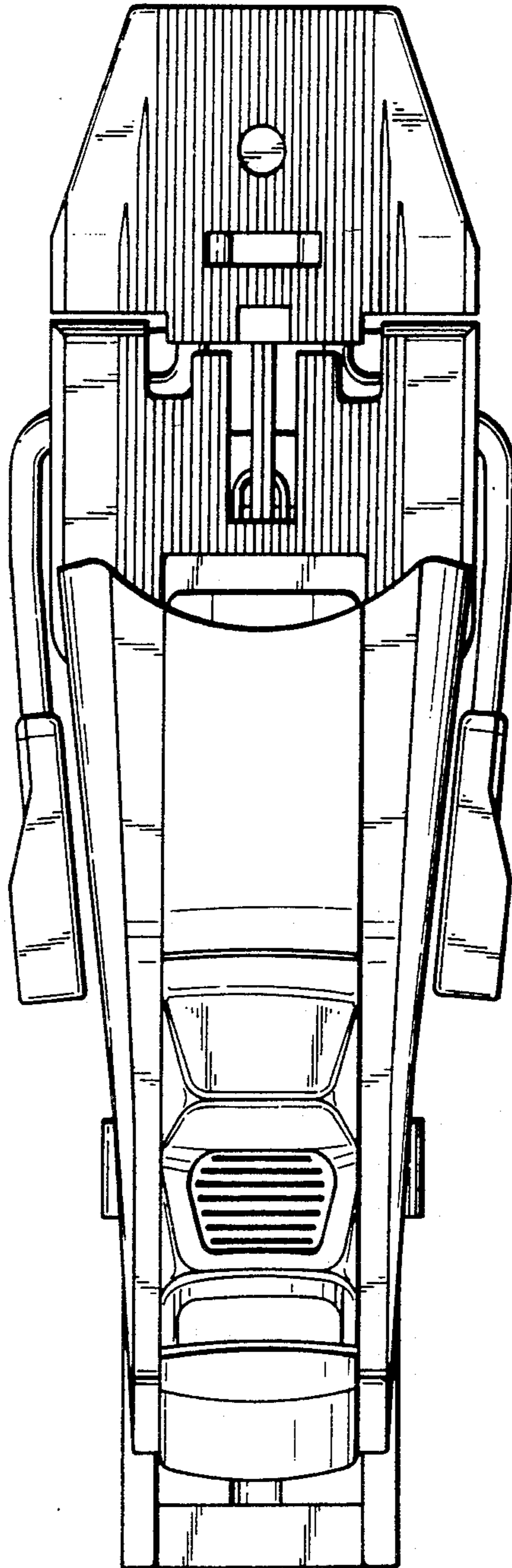


FIG. 2

FIG. 3

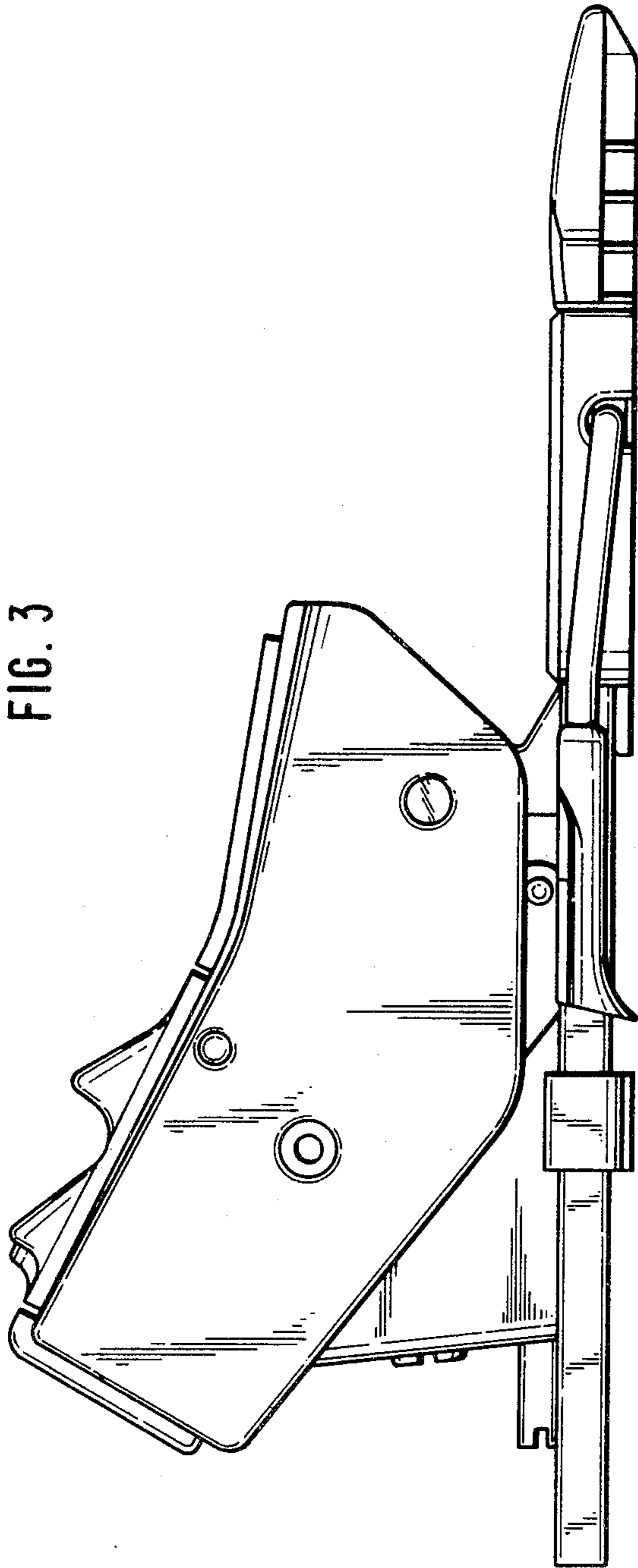


FIG. 4

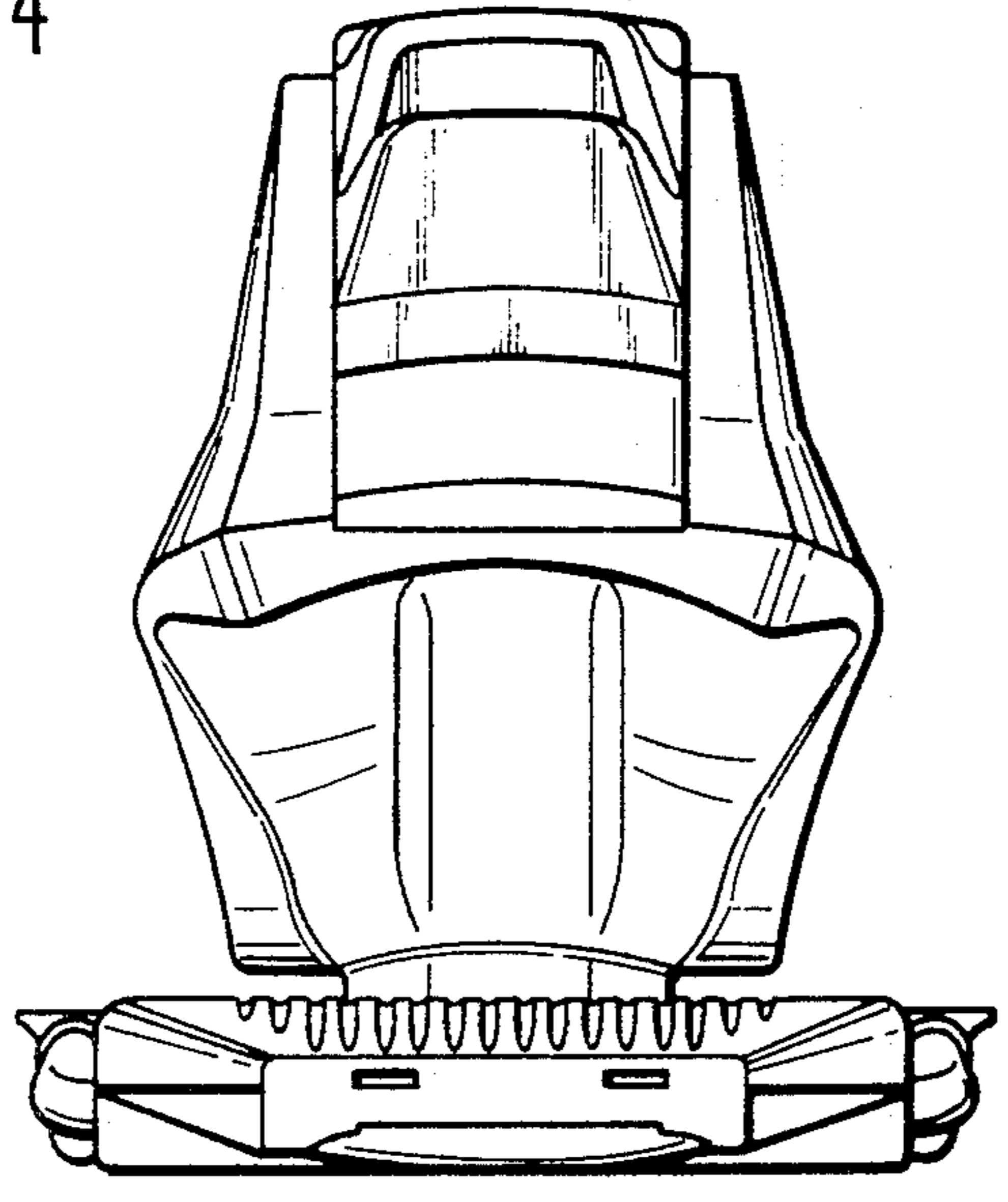


FIG. 5

