

[54] TOY EXERCISING MACHINE

[75] Inventor: Richard P. Nadeau, Frankfort, N.Y.

[73] Assignee: Zorcom Enterprise, Inc., Utica, N.Y.

[**] Term: 14 Years

[21] Appl. No.: 738,753

[22] Filed: May 29, 1985

[52] U.S. Cl. D21/195

[58] Field of Search D21/191, 195, 198;
272/72, 143, 134, 144, 143, 145

[56] References Cited

U.S. PATENT DOCUMENTS

- D. 268,277 3/1983 Smith D21/191
- D. 272,376 1/1984 Cunnington et al. D21/198
- D. 280,843 10/1985 Kelley et al. D21/191

FOREIGN PATENT DOCUMENTS

- 2133298 1/1983 United Kingdom 272/72

OTHER PUBLICATIONS

Washington Post, 8-1983, Amerec Ad, "Tunturi" Aerobic Rowing Machine.
Sporting Goods Dealer, 9-1981, p. 13, "Home Rower".

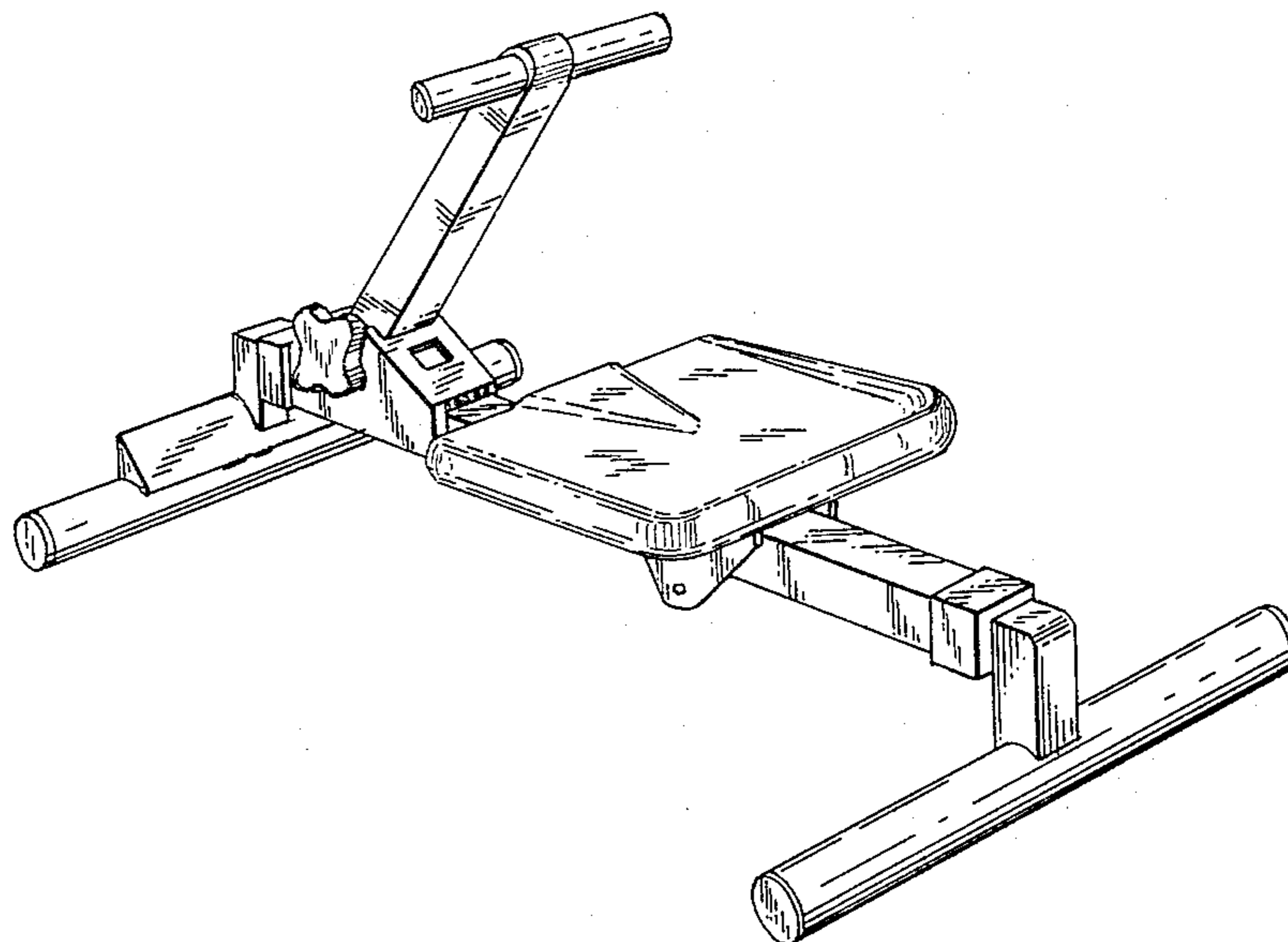
Primary Examiner—Charles A. Rademaker
Attorney, Agent, or Firm—Shlesinger Arkwright
Garvey & Fado

[57] CLAIM

The ornamental design for a toy exerciser, as shown and described.

DESCRIPTION

FIG. 1 is a perspective view of a toy exercising machine showing my new design;
FIG. 2 is a rear elevational view thereof;
FIG. 3 is a rear elevational view thereof;
FIG. 4 is a right side elevational view thereof, the side opposite being a mirror image; and,
FIG. 5 is a top plan view thereof.



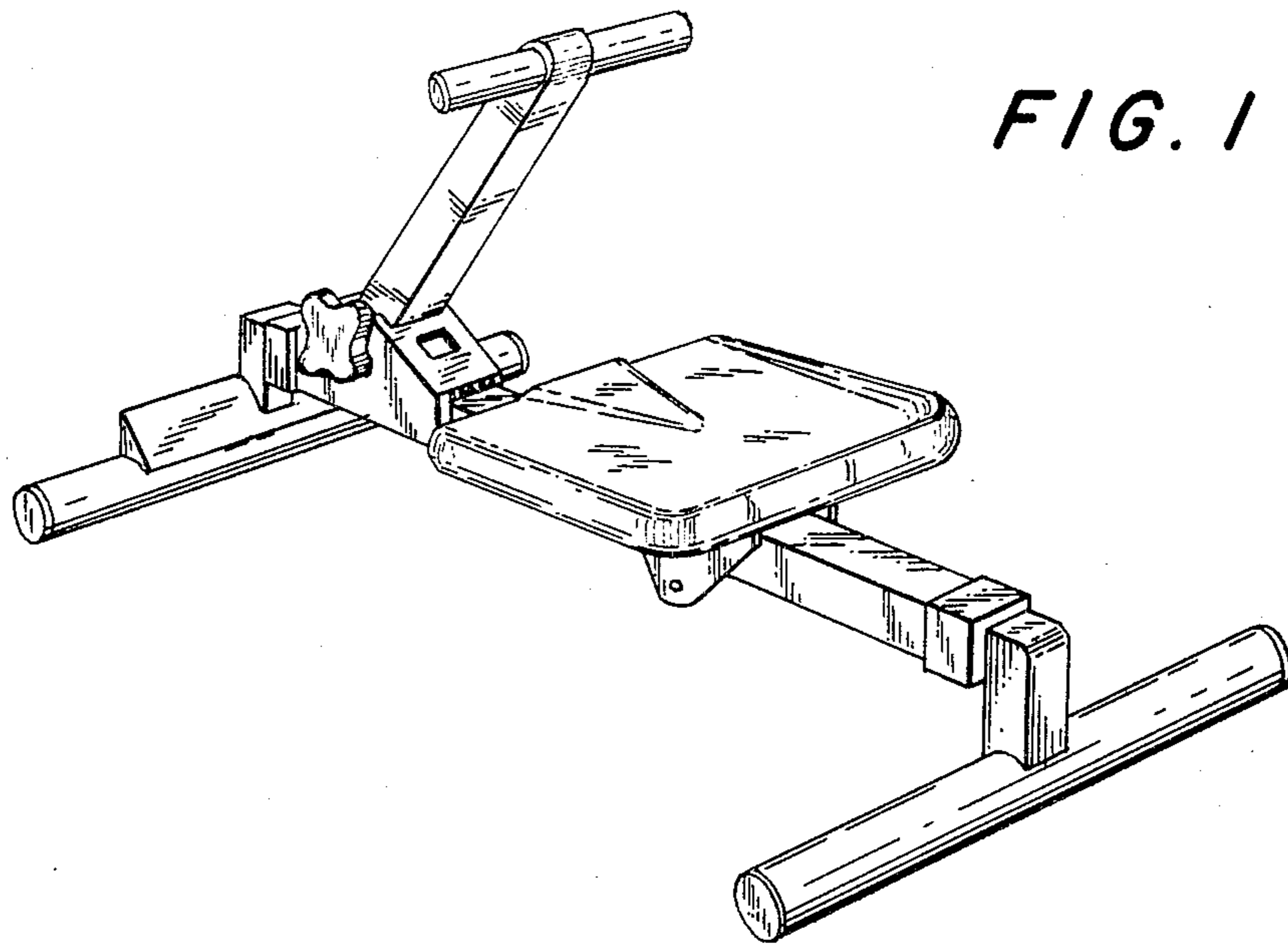


FIG. 1

FIG. 2

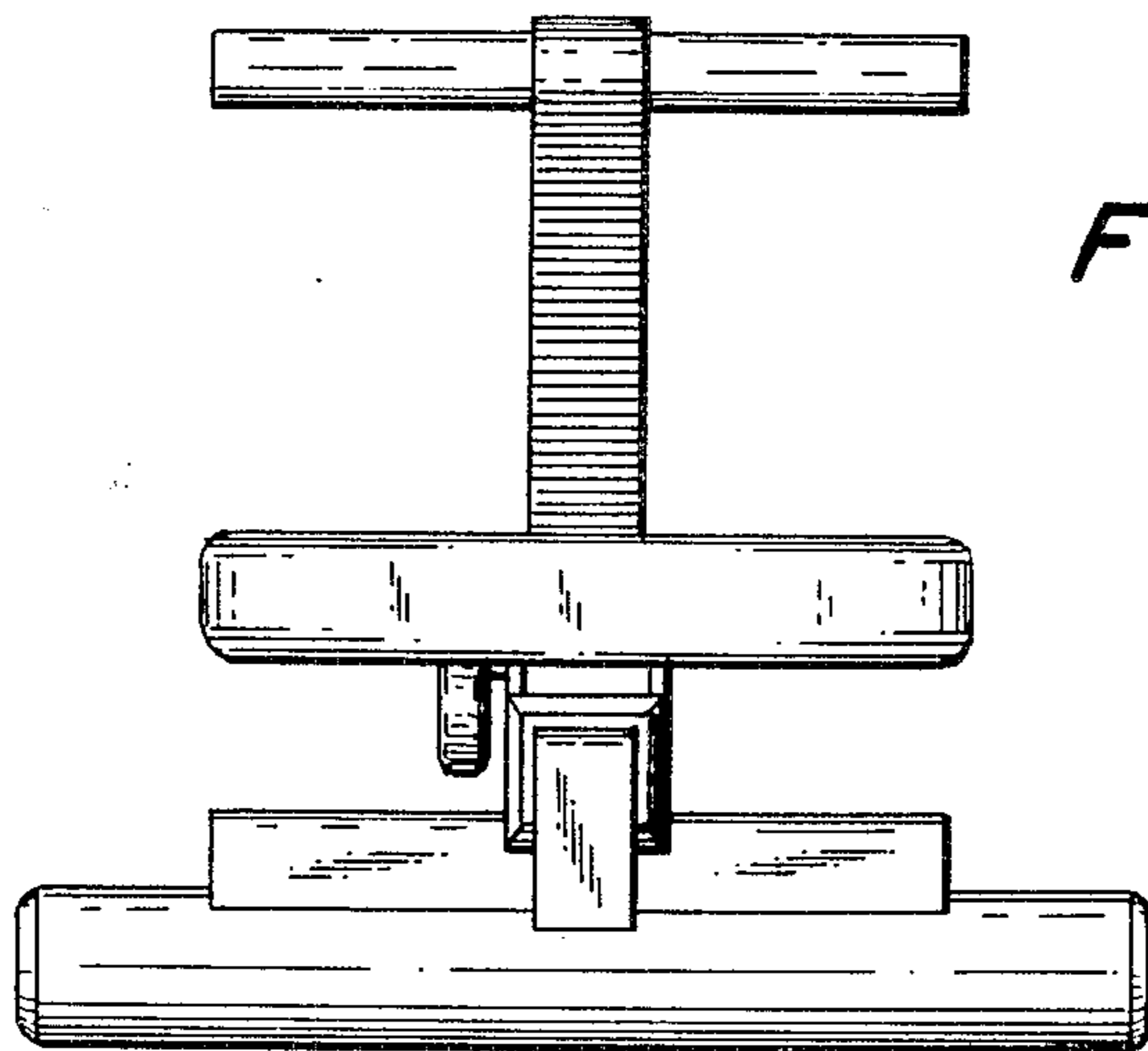
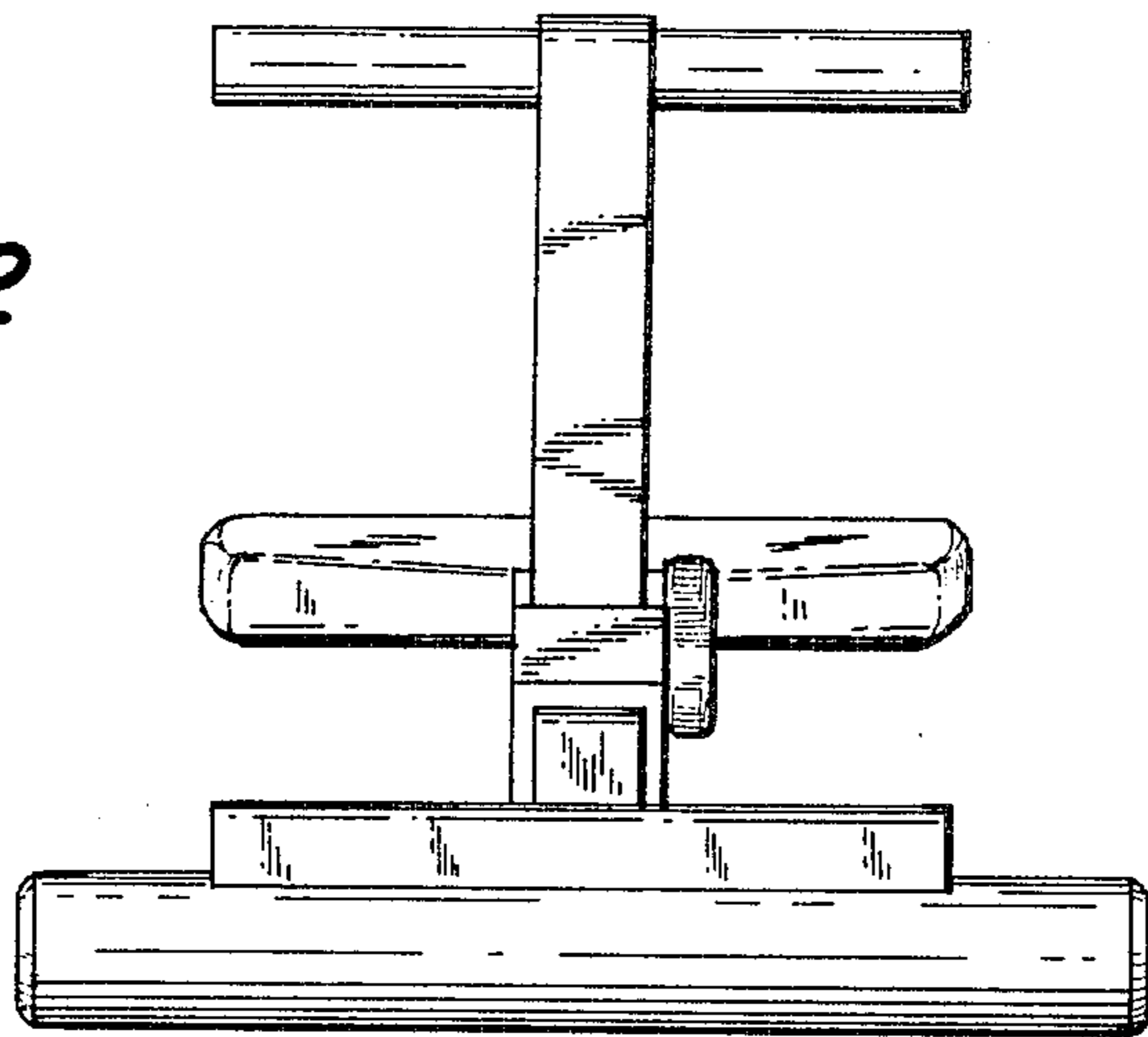


FIG. 3

FIG. 4

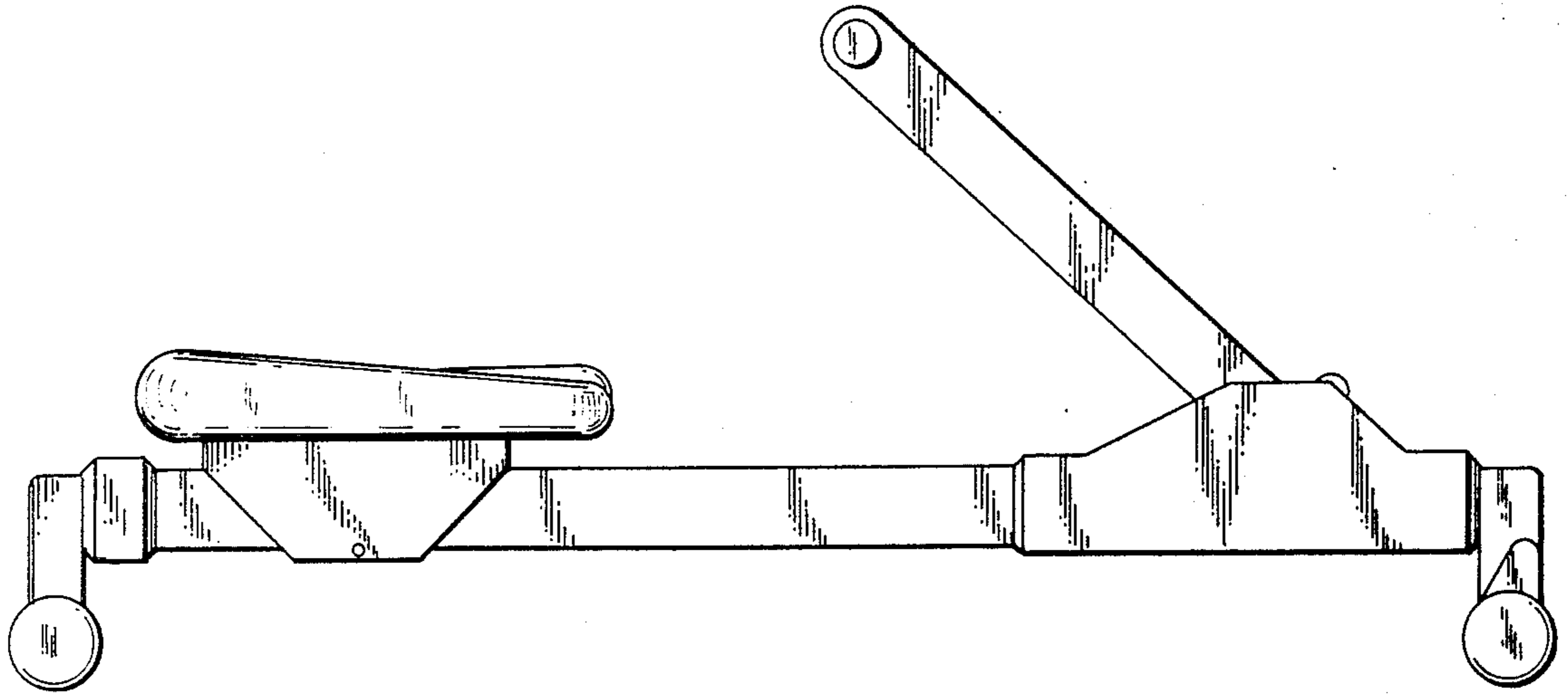


FIG. 5

