

[54] ROWING EXERCISE MACHINE OR SIMILAR ARTICLE

[75] Inventor: William Cheng, Taipei, Taiwan

[73] Assignee: Michael Hung, Taipei, Taiwan

[\*\*] Term: 14 Years

[21] Appl. No.: 654,117

[22] Filed: Sep. 25, 1984

[52] U.S. Cl. .... D21/195

[58] Field of Search ..... D21/191, 195, 198; 272/72, 143, 134, 144, 143, 145

[56] References Cited

U.S. PATENT DOCUMENTS

- D. 268,277 3/1983 Smith ..... D21/191
- D. 283,530 4/1986 Smith et al. .... D21/195
- 4,488,719 12/1984 Brown et al. .... 272/72

FOREIGN PATENT DOCUMENTS

- 3502758 11/1984 Fed. Rep. of Germany ..... 272/72

OTHER PUBLICATIONS

Amerec Flier, 2-1982, "Amerec 610" Rowing Machine. Auita Flier, RCUD 11-1982, "Auita 850" Aerobic Rower.

Abercrombie & Fitch catalog, 10-10-1981, p. 19, item C, "Tunturi Rower".

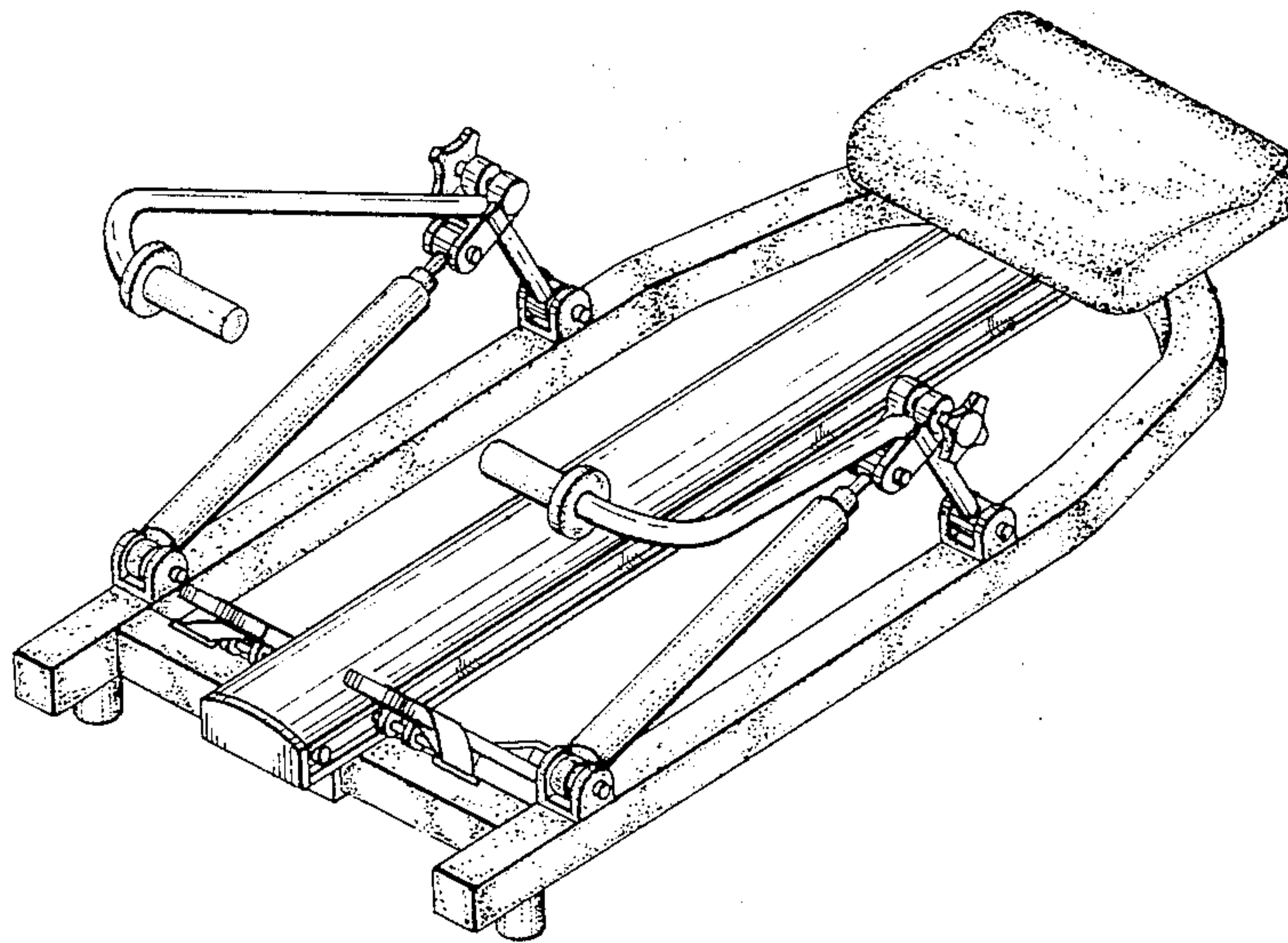
Primary Examiner—Charles A. Rademaker  
Attorney, Agent, or Firm—Oblon, Fisher, Spivak, McClelland, & Maier

[57] CLAIM

The ornamental design for a rowing exercise machine or similar article, as shown.

DESCRIPTION

FIG. 1 is a perspective view of a rowing exercise machine showing my new design;  
 FIG. 2 is a front elevational view thereof;  
 FIG. 3 is a rear elevational view thereof;  
 FIG. 4 is a right side elevational view thereof;  
 FIG. 5 is a left side elevational view thereof;  
 FIG. 6 is a top plan view thereof; and  
 FIG. 7 is a bottom plan view thereof.



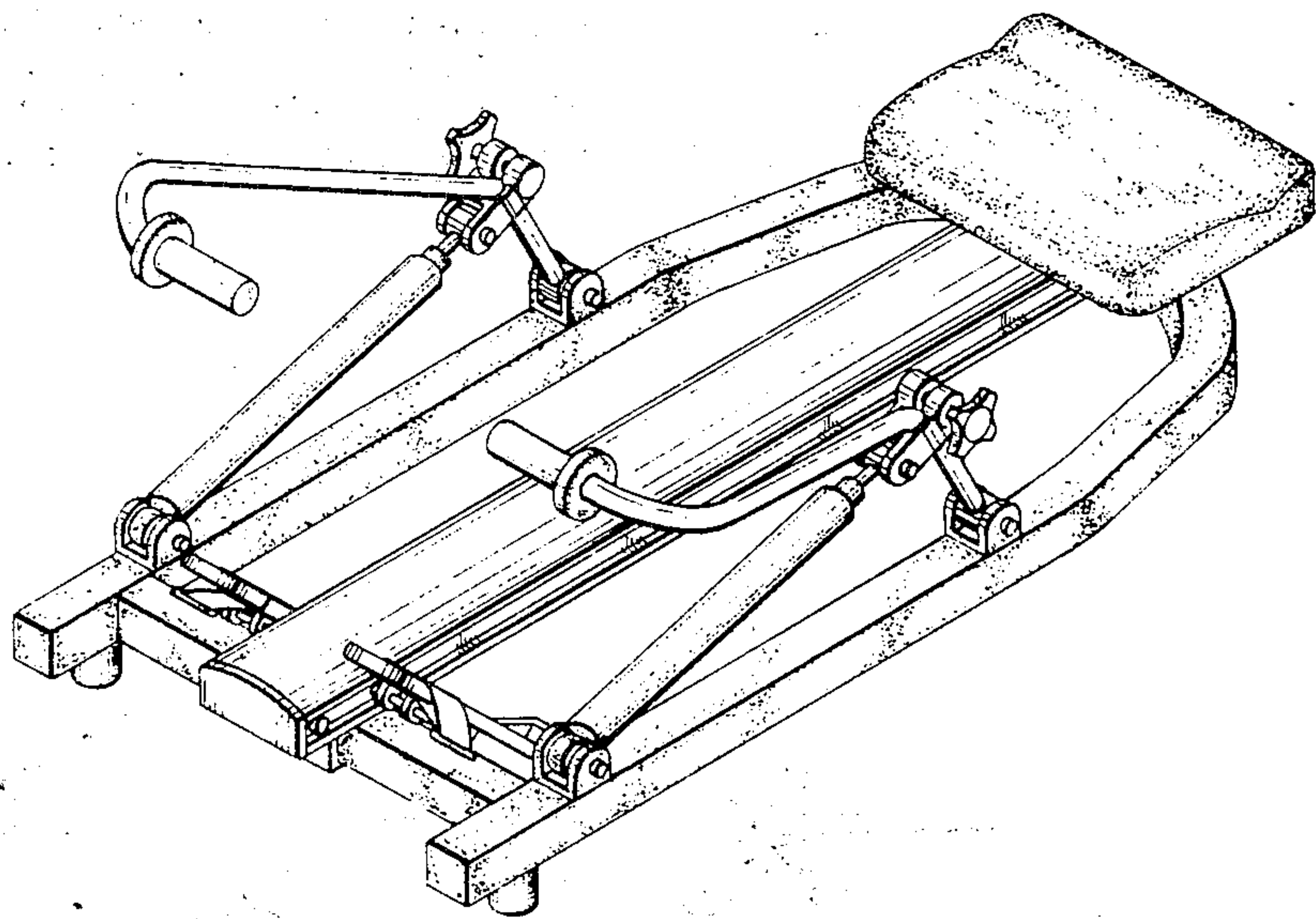


FIG. 1

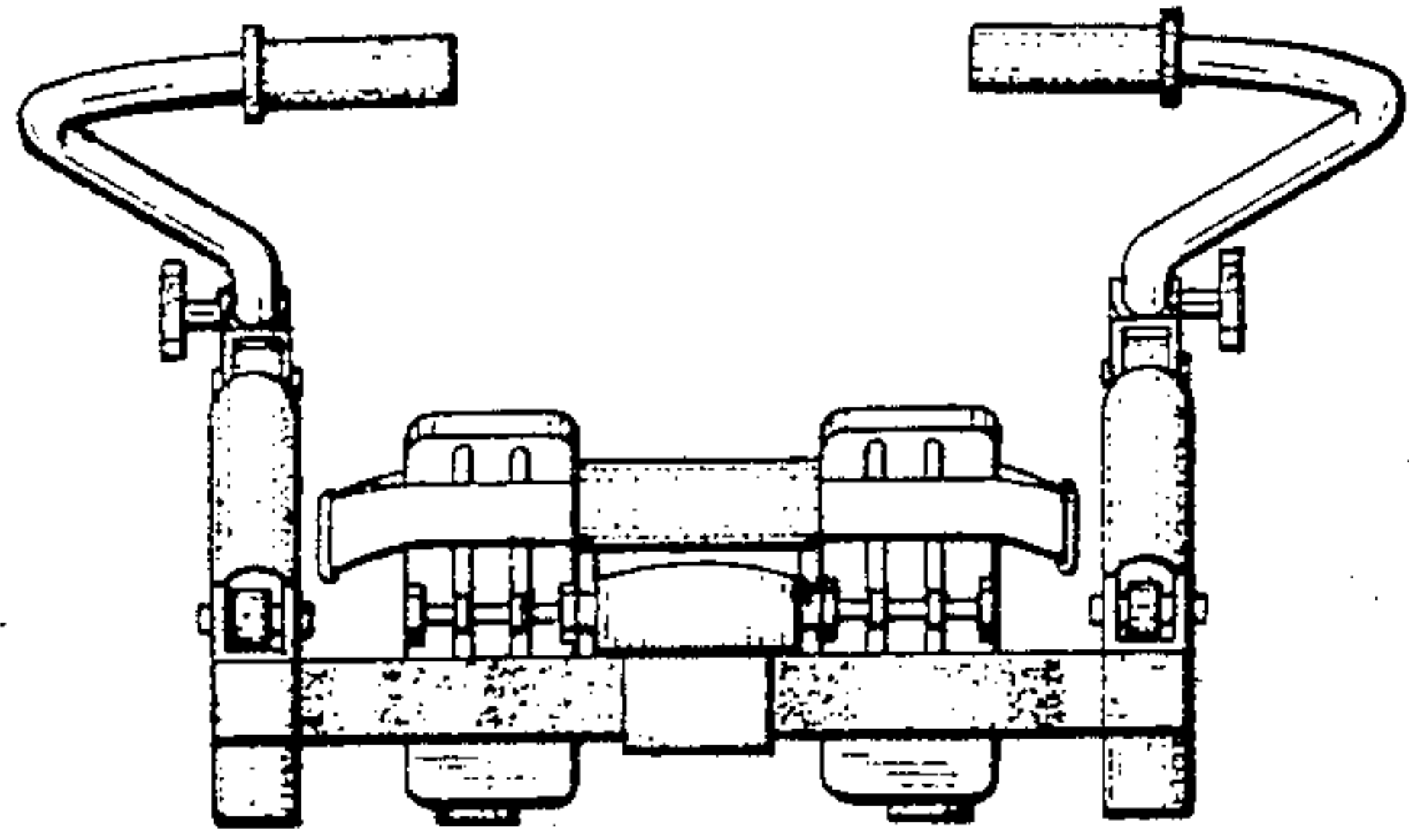


FIG. 2

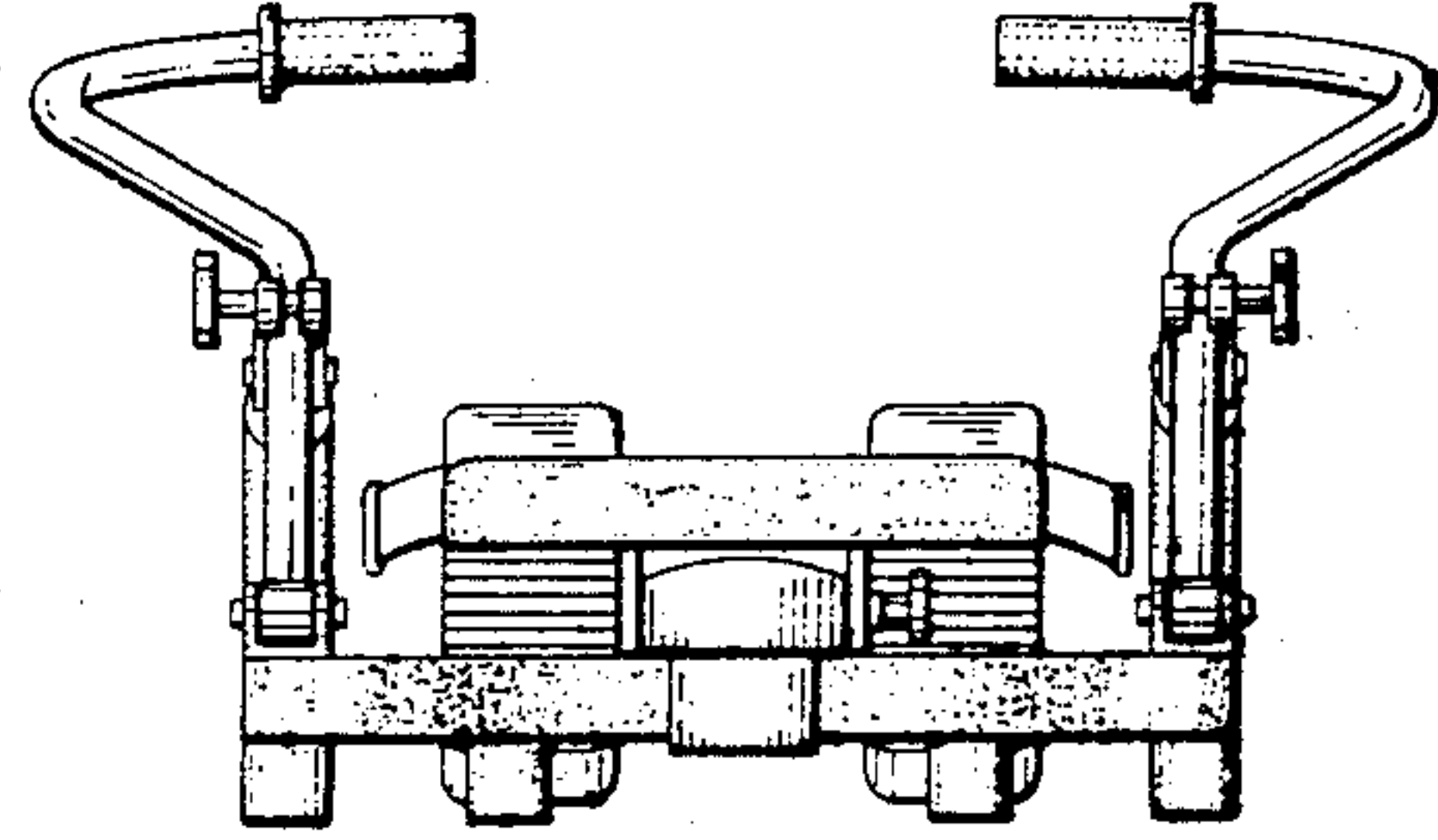


FIG. 3

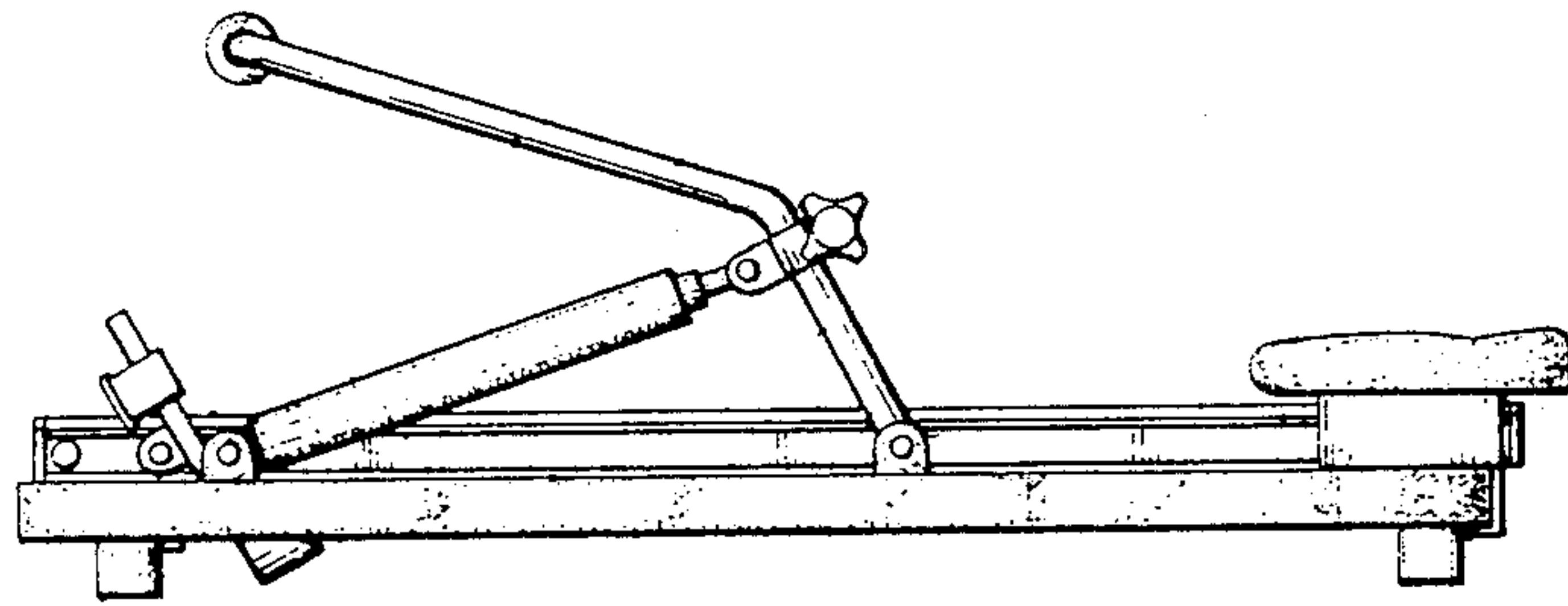


FIG. 4

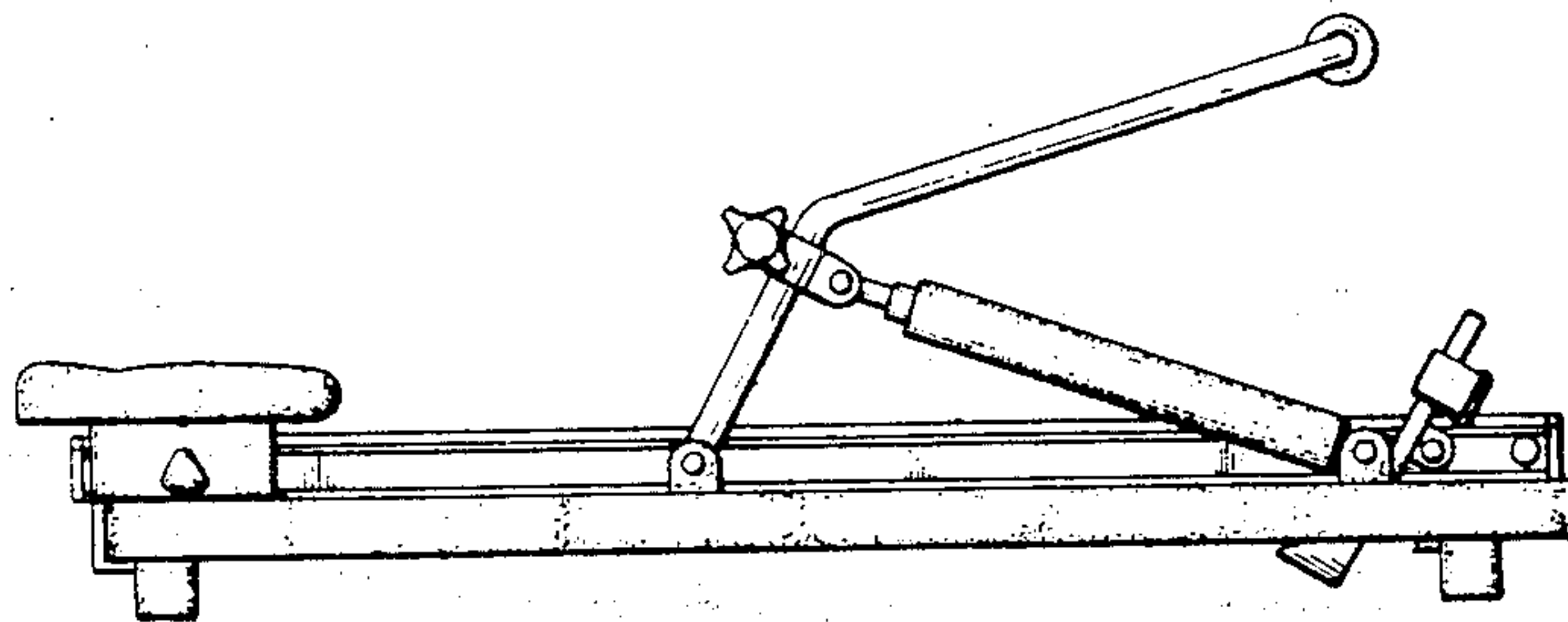


FIG. 5

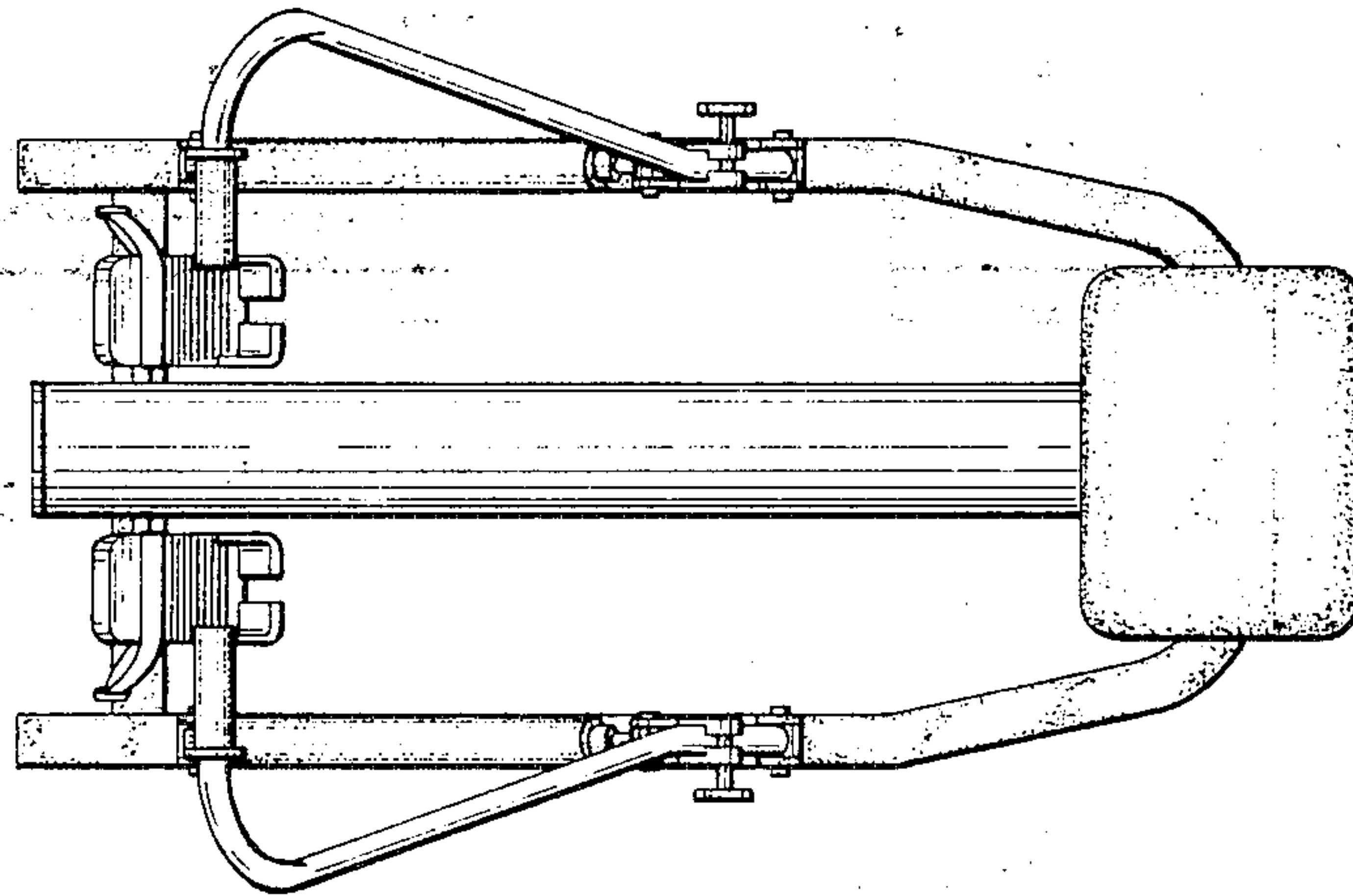


FIG. 6

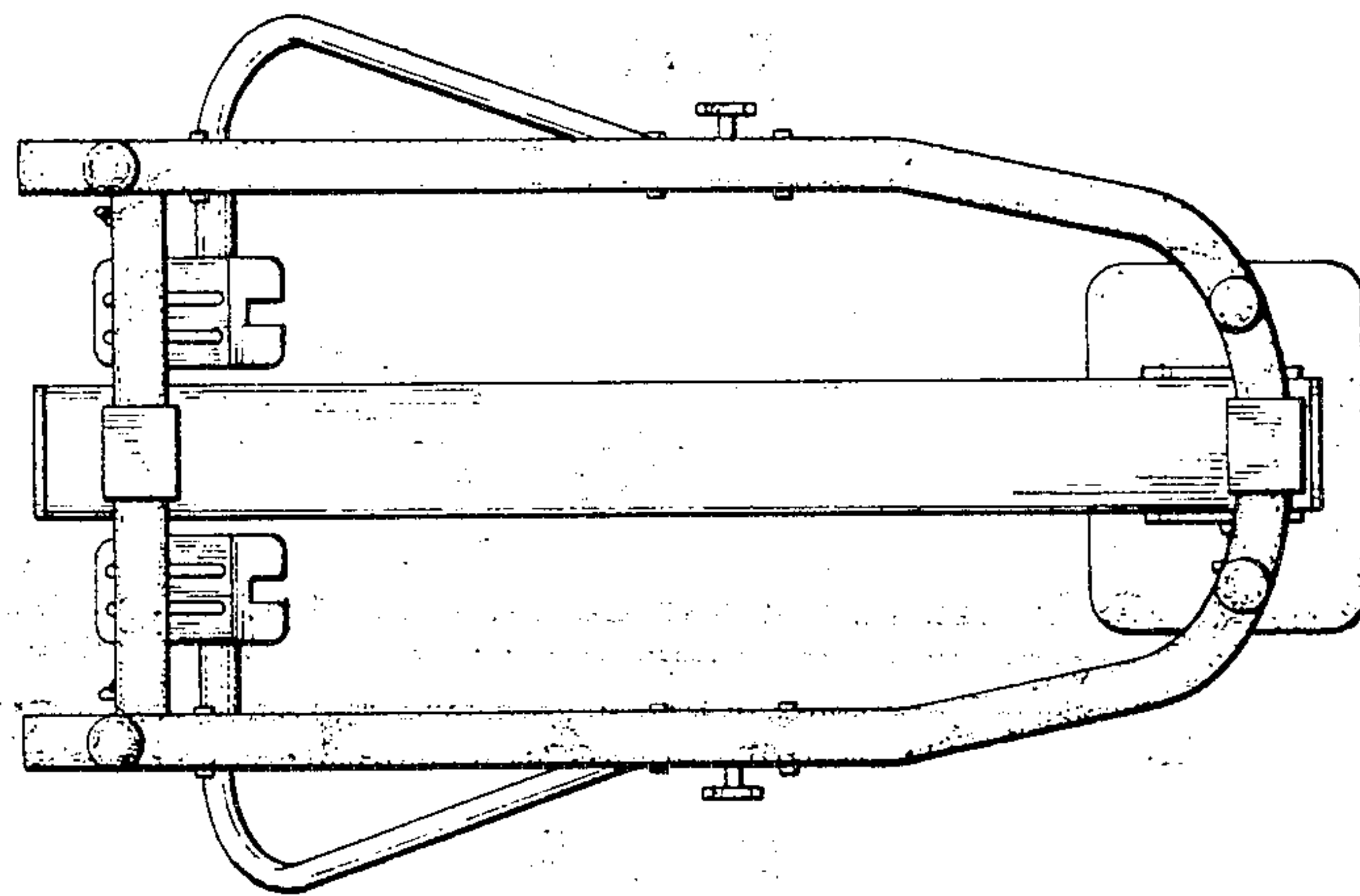


FIG. 7