

United States Patent [19]

Oliver et al.

[11] Patent Number: **Des. 287,387**

[45] Date of Patent: **** Dec. 23, 1986**

[54] **COLLAR FOR BARBELL OR SIMILAR ARTICLE**

[75] Inventors: **Morris A. Oliver; Reginald R. Bell,**
both of Auckland, New Zealand

[73] Assignee: **Don Oliver Barbell (1977) Limited,**
Auckland, New Zealand

[**] Term: **14 Years**

[21] Appl. No.: **816,810**

[22] Filed: **Jan. 7, 1986**

Related U.S. Application Data

[63] Continuation of Ser. No. 477,527, Mar. 21, 1983, abandoned.

[30] Foreign Application Priority Data

Sep. 27, 1982 [NZ] New Zealand 17955 27
[52] U.S. Cl. **D21/191**
[58] Field of Search D21/191-199;
272/109, 67, 68, 122, 123; D8/398, 395, 396,
397, 399

[56] References Cited

U.S. PATENT DOCUMENTS

2,244,351 6/1941 Venables D21/197

FOREIGN PATENT DOCUMENTS

81143 6/1980 Australia D21/191

OTHER PUBLICATIONS

Sporting Goods Dealer, 11-1977, p. 182, Barbell Look.
Lamp Journal, 10-1961, p. 50, Wing Nut.

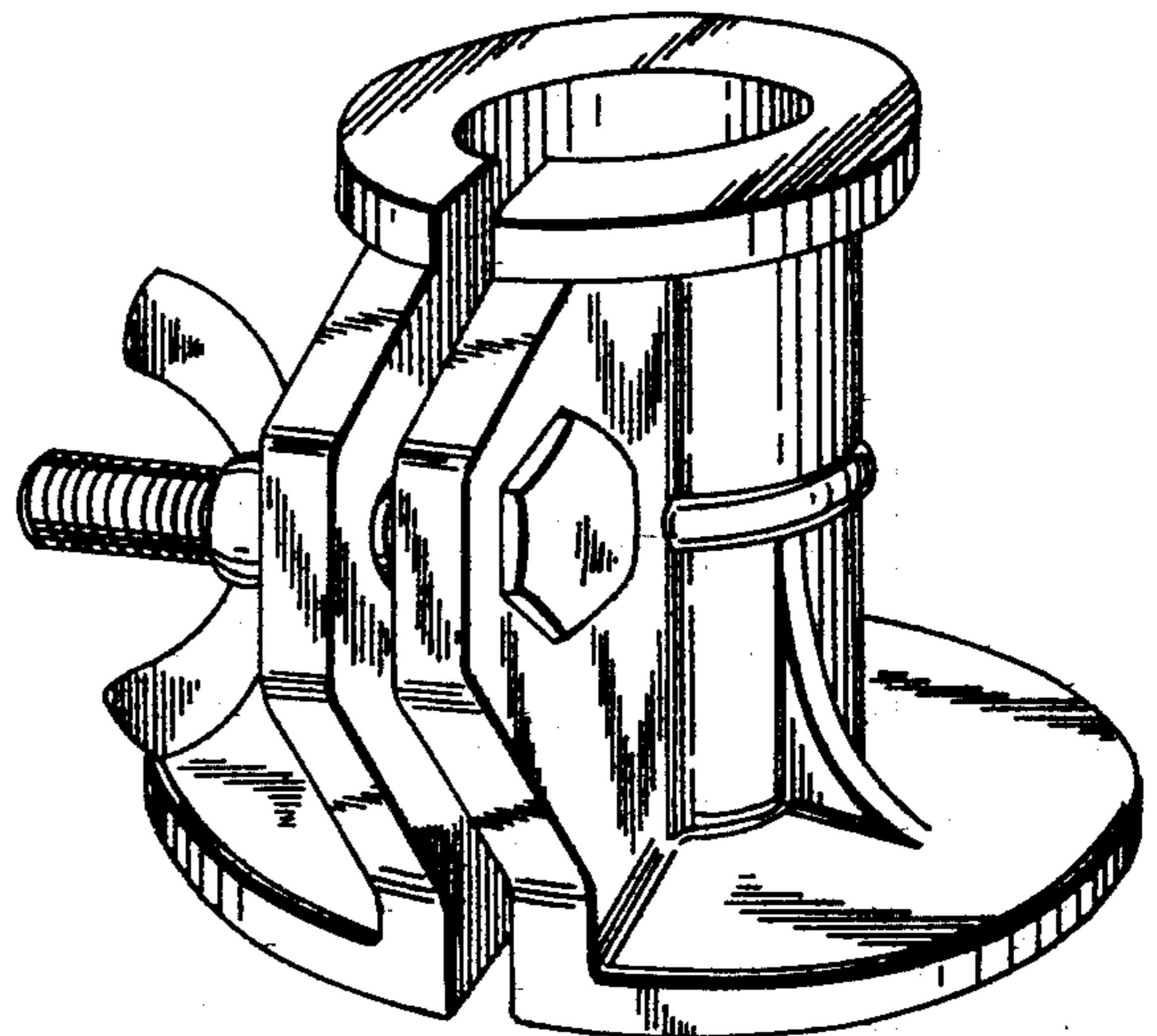
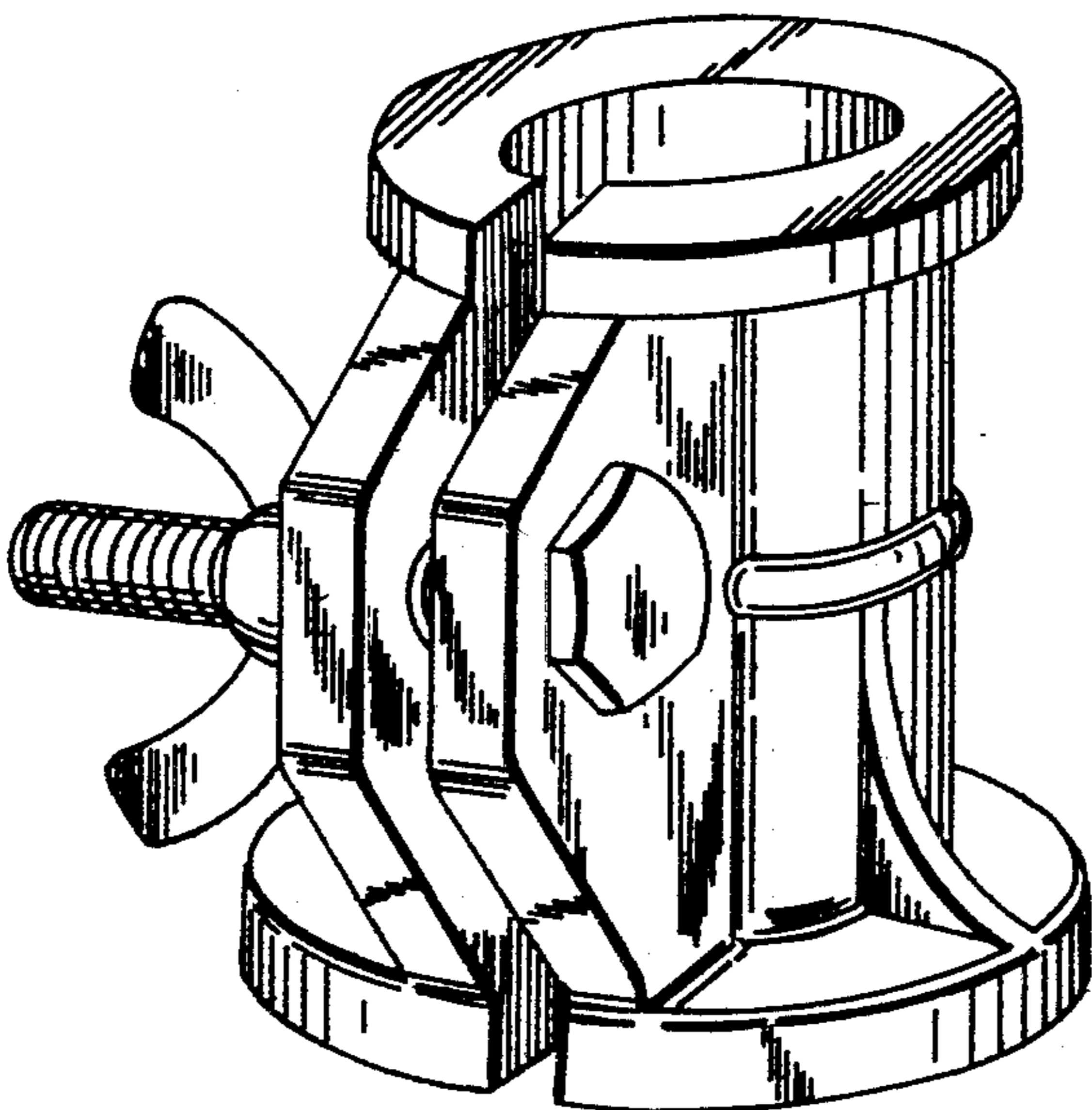
Primary Examiner—Charles A. Rademaker
Attorney, Agent, or Firm—Renner, Otto, Boisselle &
Lyon

[57] CLAIM

The ornamental design for a collar for barbell or similar article, as shown and described.

DESCRIPTION

FIG. 1 is a perspective view of a collar for barbell or similar article showing our new design;
FIG. 2 is a front elevational view thereof;
FIG. 3 is a top plan view thereof;
FIG. 4 is a perspective view of a modified form of the design shown in FIGS. 1-4;
FIG. 5 is a front elevational view thereof; and
FIG. 6 is a top plan view thereof.



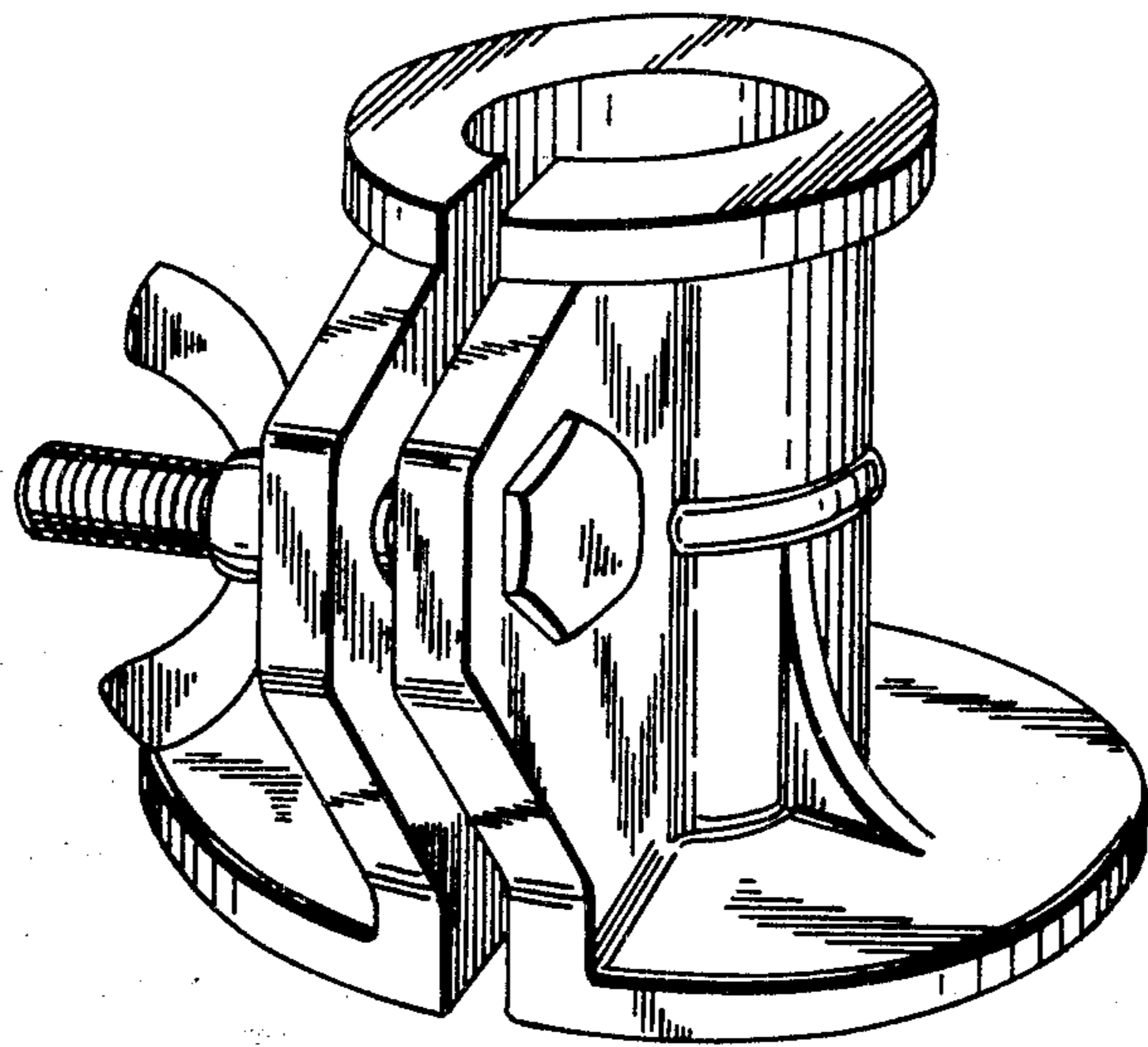


FIG. 1

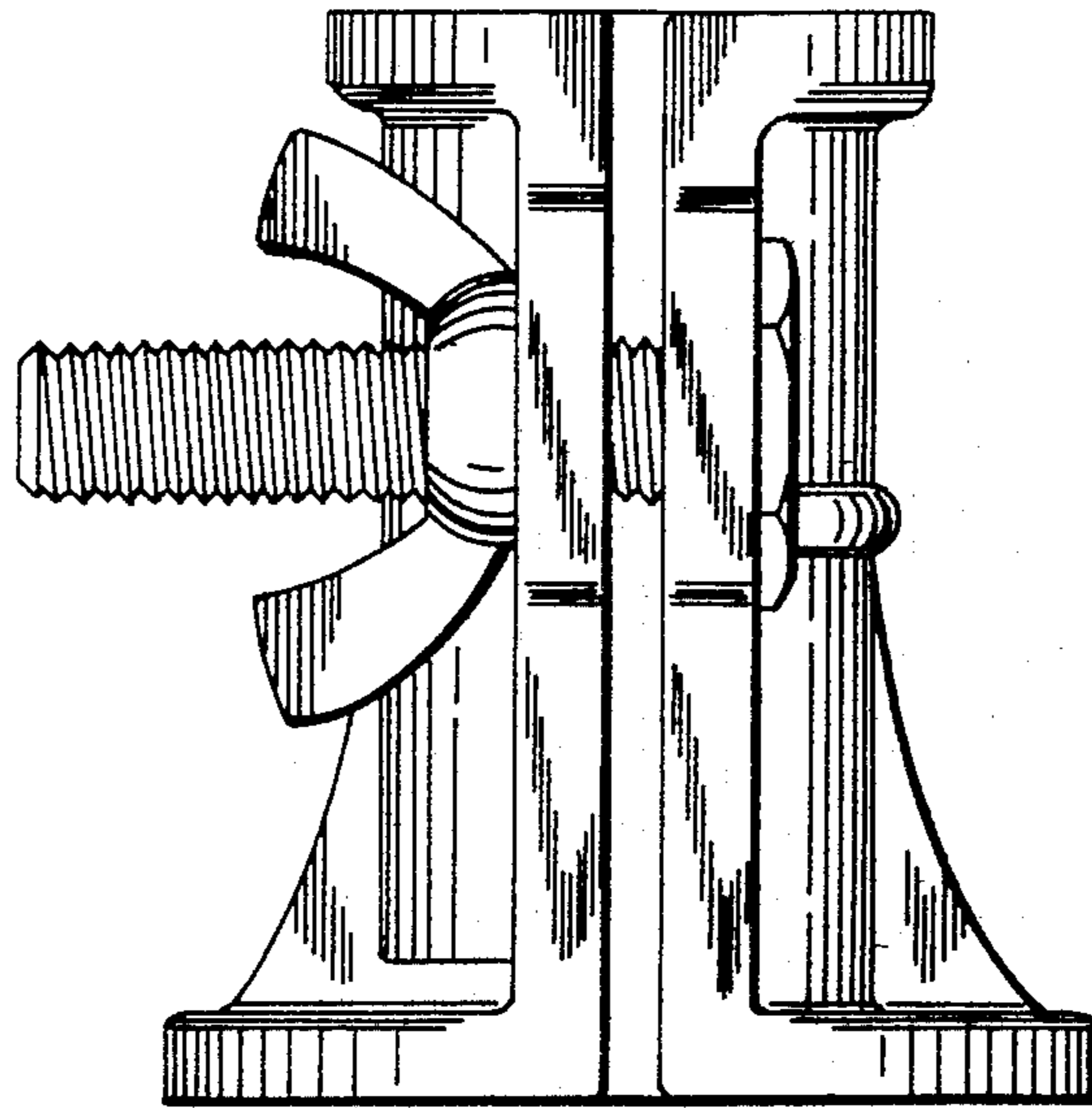


FIG. 2

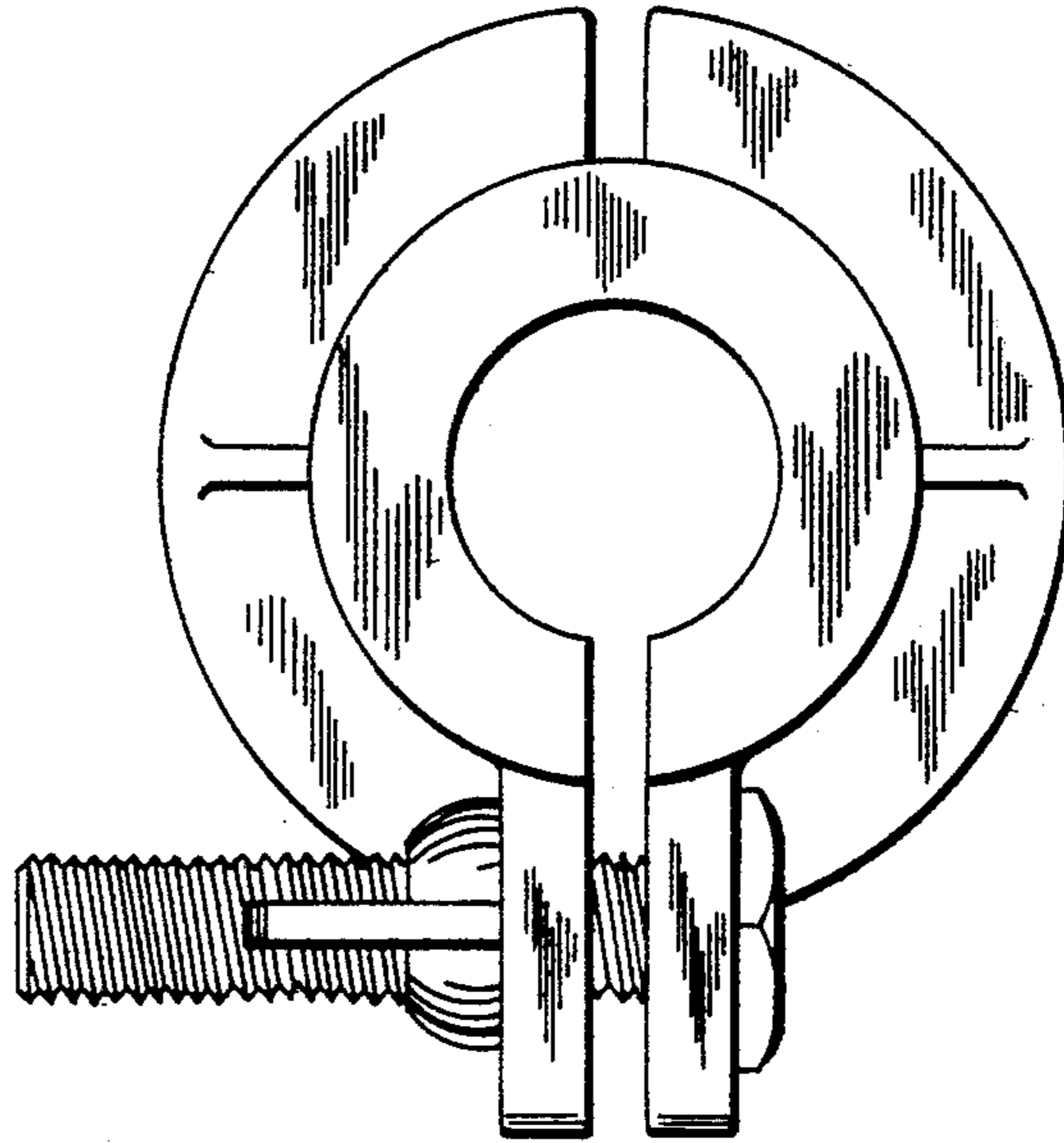


FIG. 3

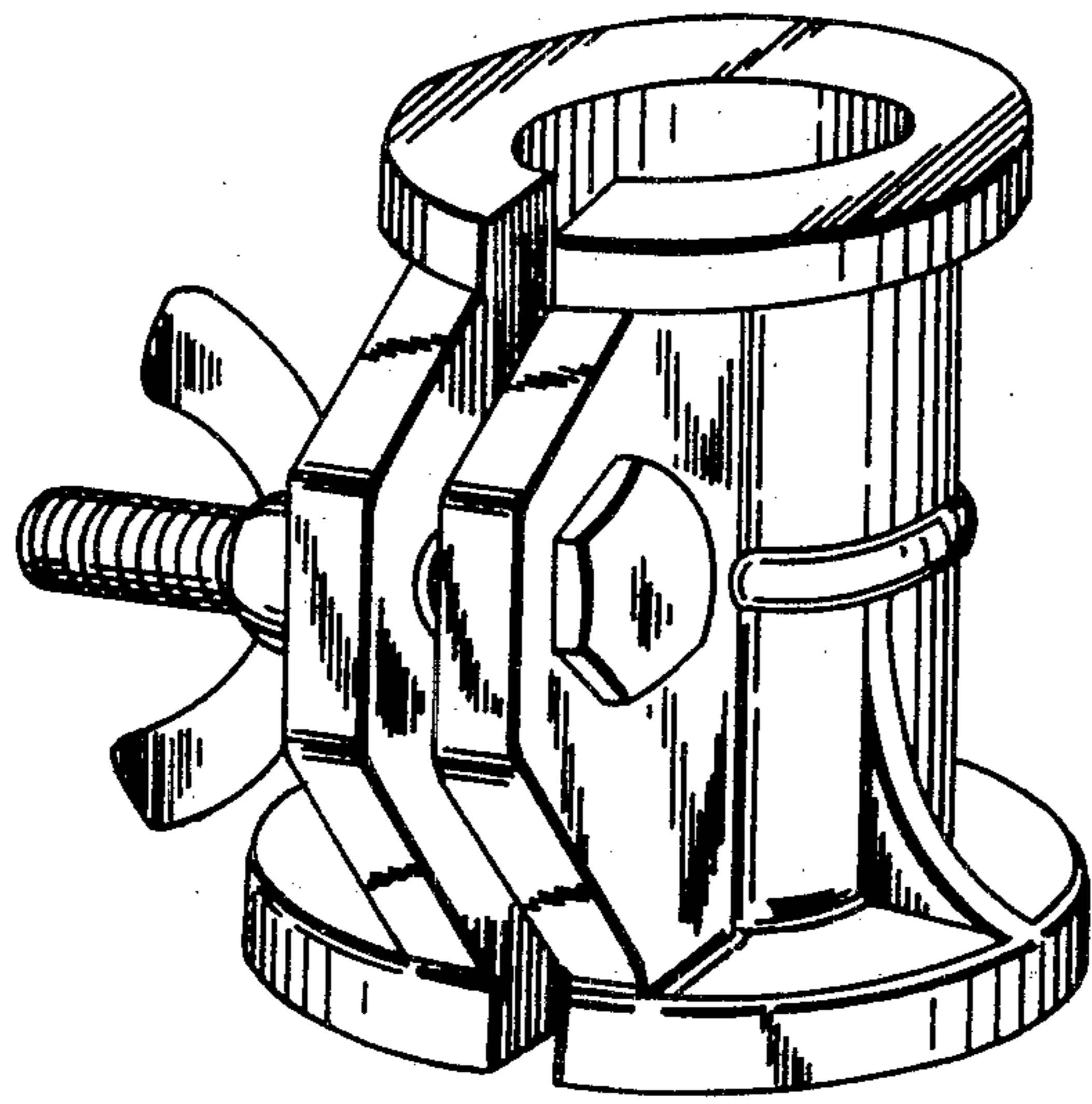


FIG. 4

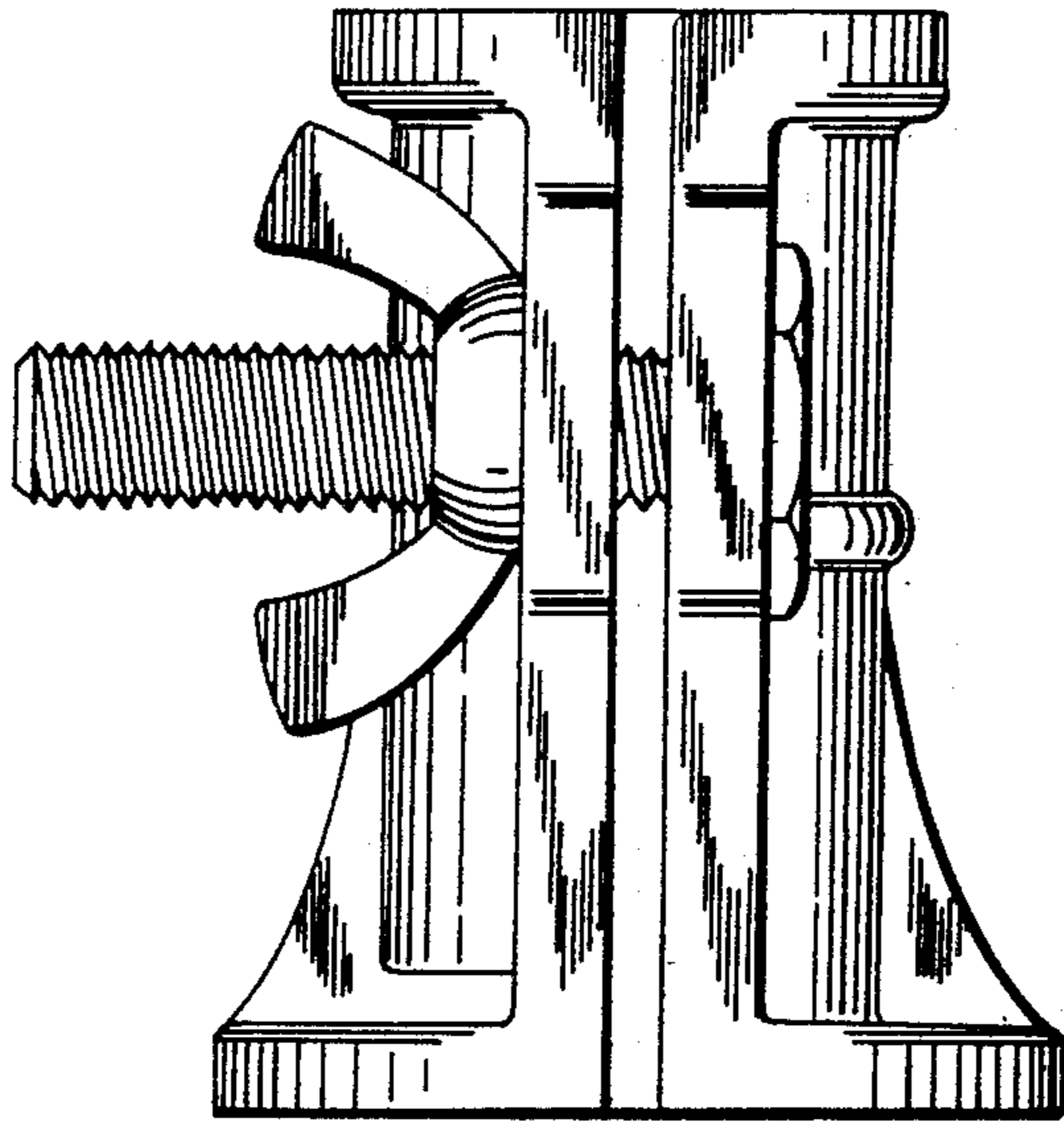


FIG. 5

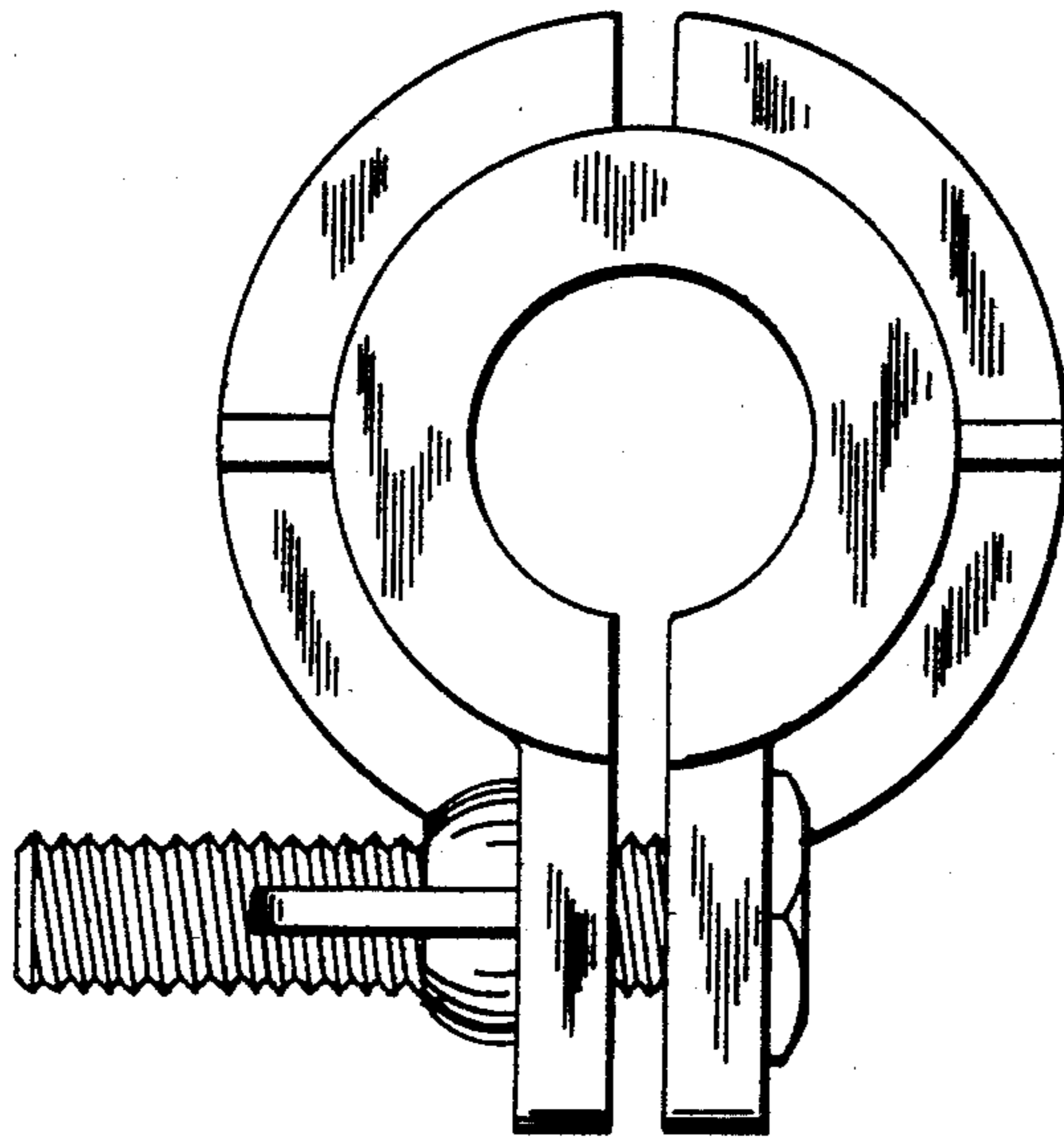


FIG. 6