

[54] STAR TEETHER TOY

[75] Inventors: Lawrence B. Grubb, Monkton, Md.; David M. Williams, New York, N.Y.

[73] Assignee: Johnson & Johnson Baby Products Company, New Brunswick, N.J.

[**] Term: 14 Years

[21] Appl. No.: 631,275

[22] Filed: Jul. 16, 1984

[52] U.S. Cl. D21/65

[58] Field of Search D24/45; D21/65, 59; 128/360, 359, 76 R; 446/227, 418, 419, 420

[56] References Cited

U.S. PATENT DOCUMENTS

- D. 58,157 6/1921 Monkhouse D21/65
- D. 60,947 5/1922 Patrich D24/45

OTHER PUBLICATIONS

Childcraft catalog, Holiday 1981, p. 8, item "G", Bath Balls.

Hong Kong Toy catalog, 1983, p. 59, "Star" Rattle.

Hong Kong Toy catalog, 1983, p. 59, Oval Rattle with Spinner.

Primary Examiner—Charles A. Rademaker

Attorney, Agent, or Firm—Lawrence D. Schuler

[57] CLAIM

The ornamental design for a star teether toy, substantially as shown and described.

DESCRIPTION

FIG. 1 is a front perspective view of a star teether toy showing our new design;

FIG. 2 is a right side elevational view thereof, the side opposite being identical;

FIG. 3 is a top plan view thereof;

FIG. 4 is a front elevational view thereof, the side opposite being identical; and,

FIG. 5 is a bottom plan view thereof.

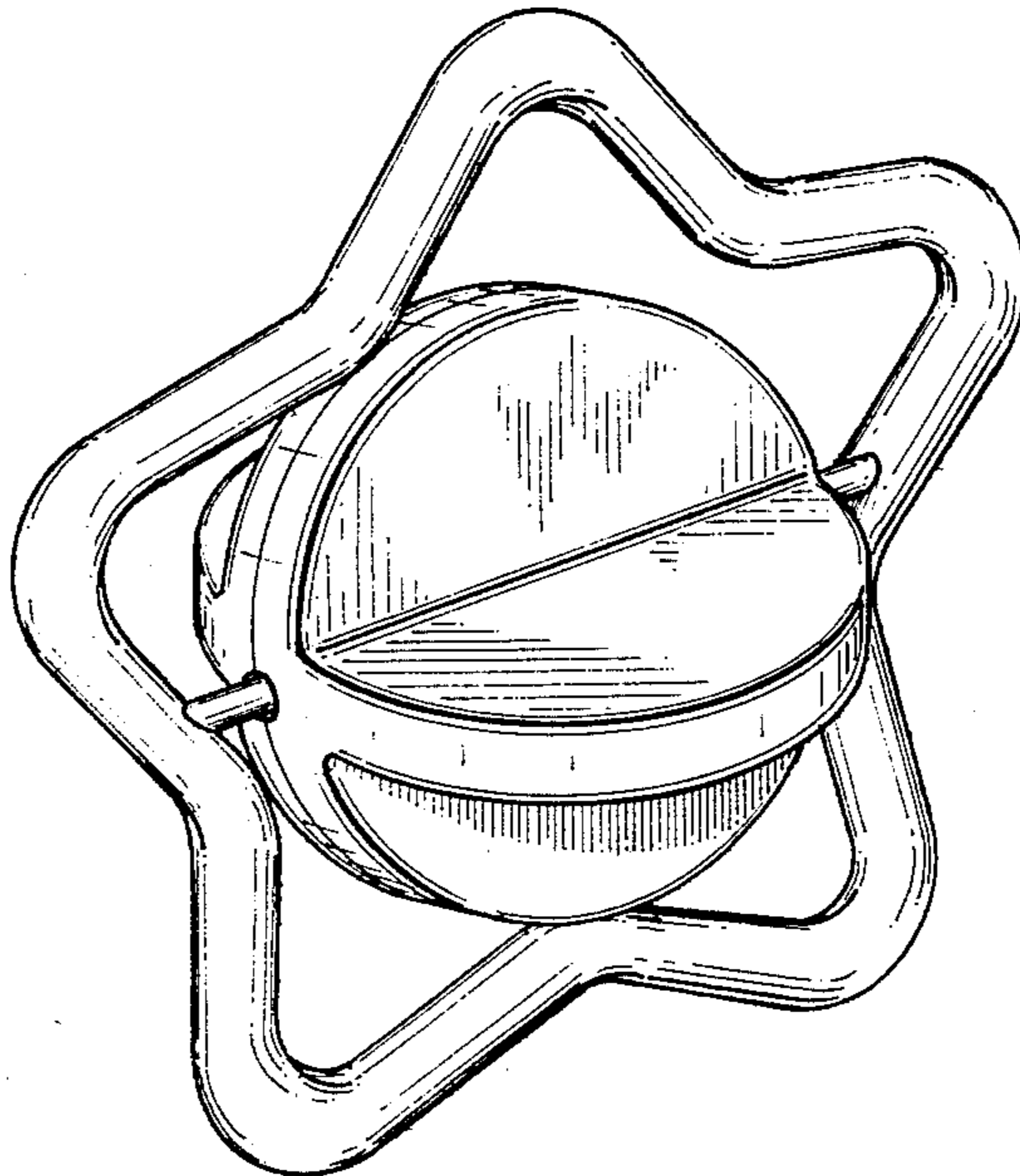


FIG-1

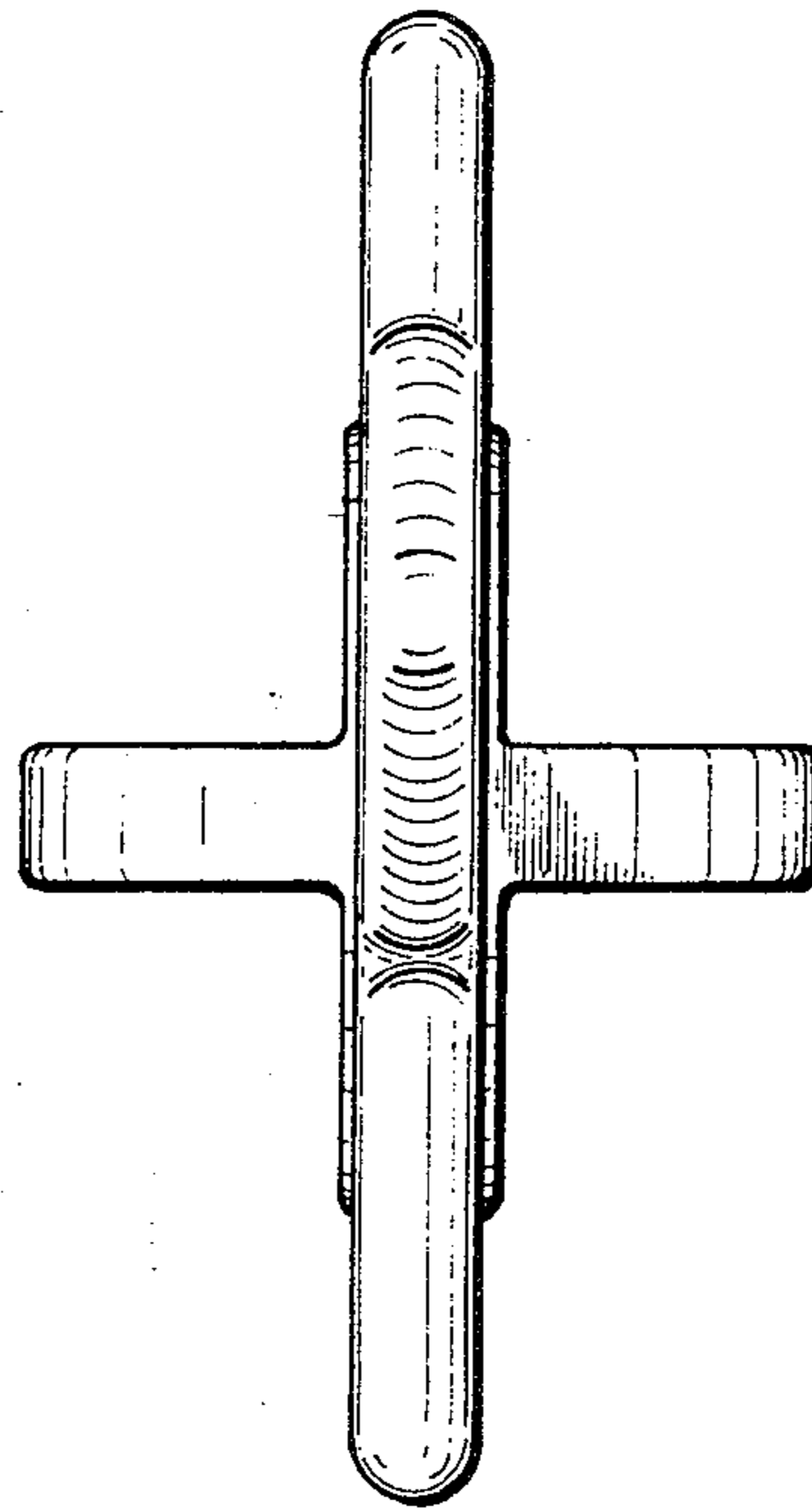
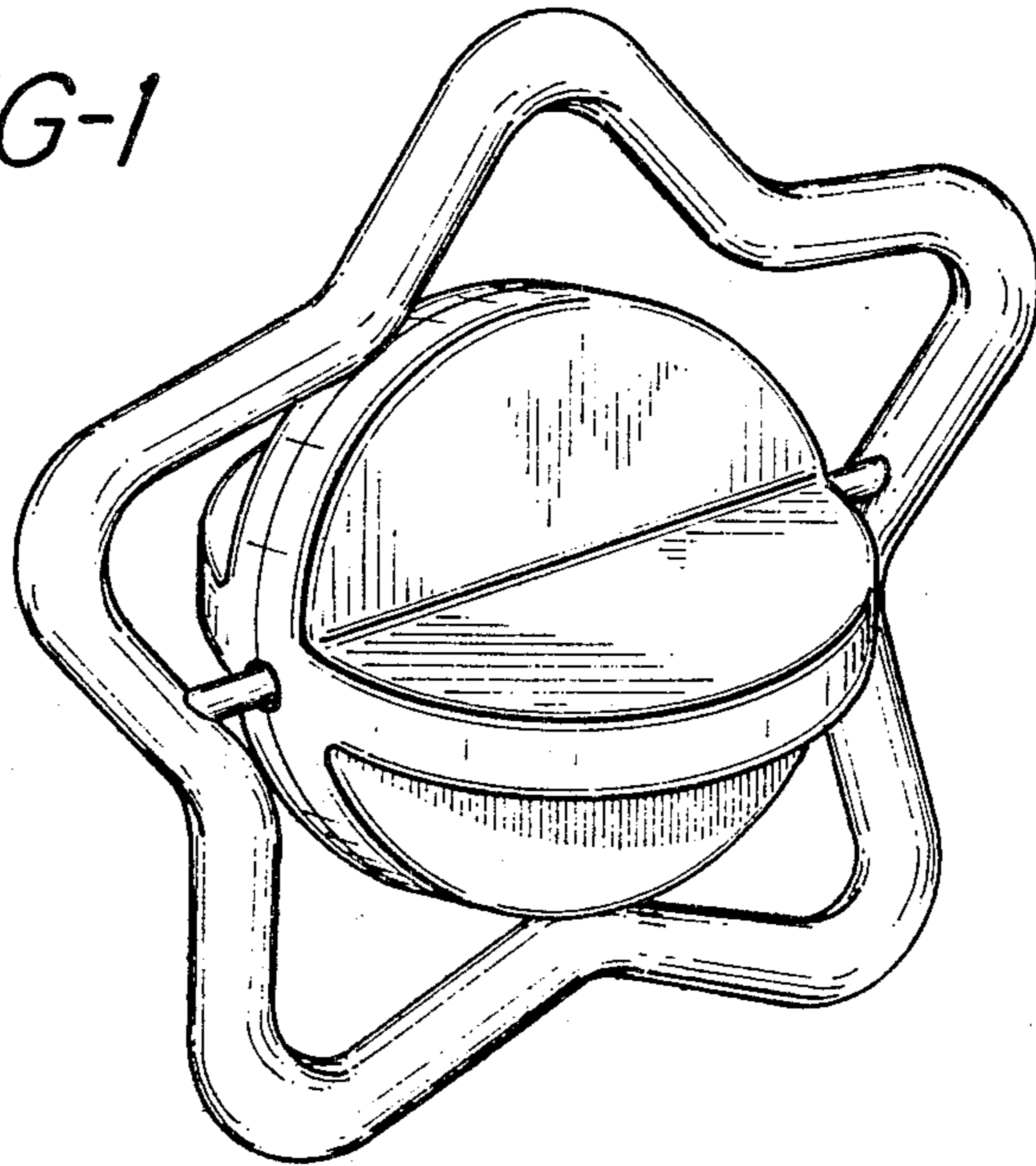


FIG-2

FIG-3

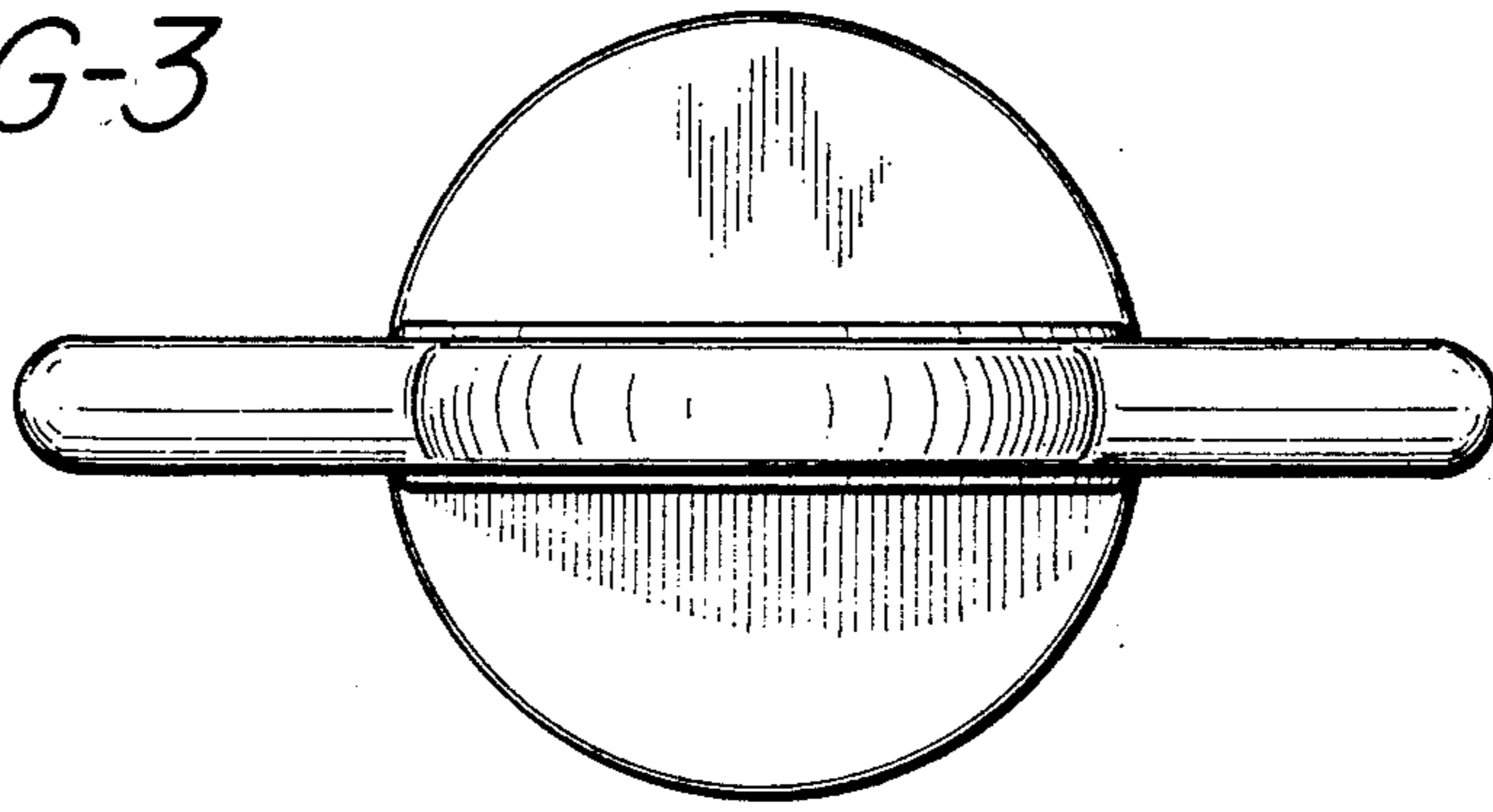


FIG-4

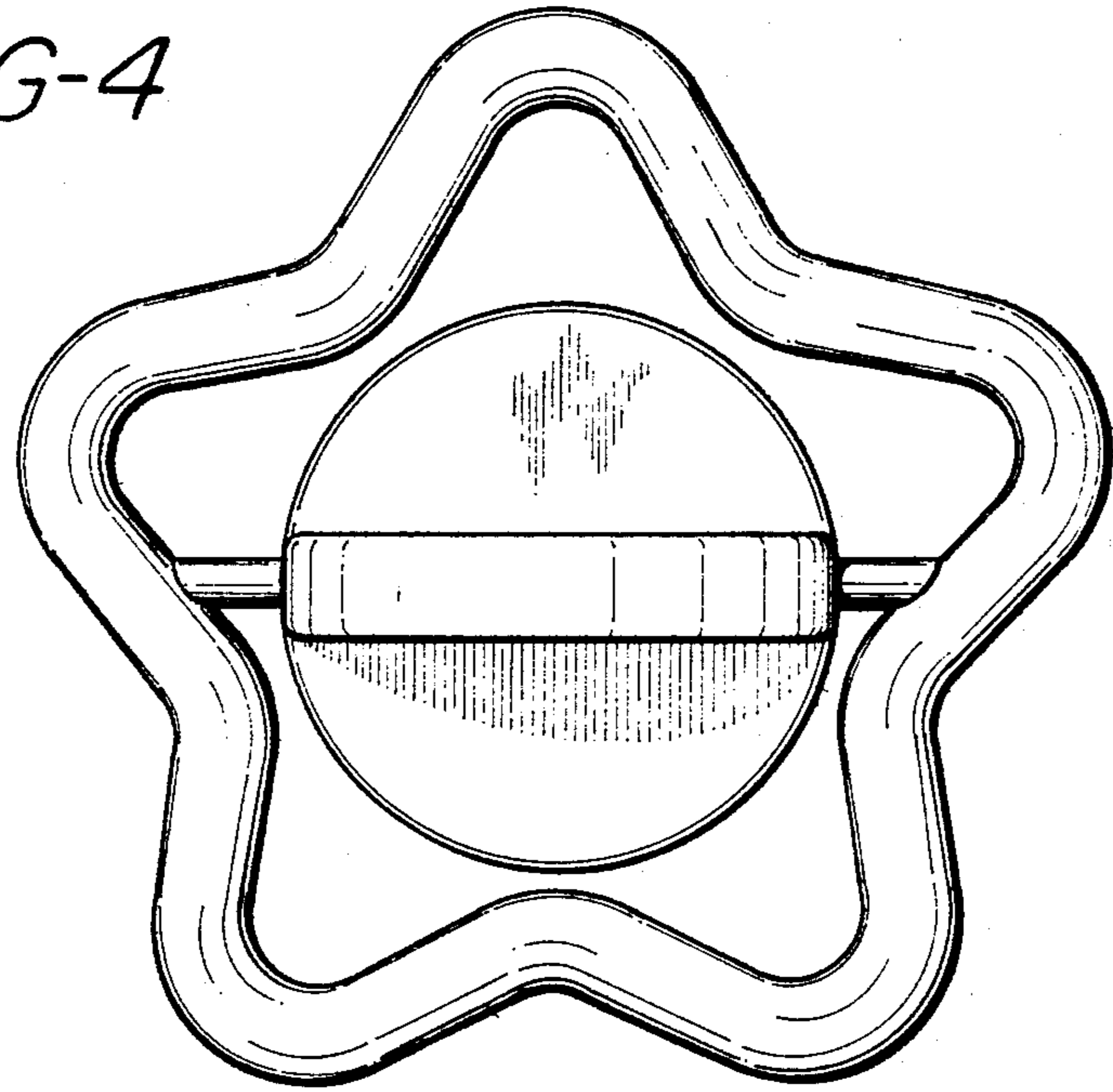


FIG-5

