

[54] CALCULATOR FOR A SHOPPING CART

[76] Inventors: Scott A. Stoll, 3311 S. 88 E. Ave., Tulsa, Okla. 74145; Mike Brennan, 9335 S. 65th East Pl., Tulsa, Okla. 74133

[**] Term: 14 Years

[21] Appl. No.: 579,383

[22] Filed: Feb. 13, 1984

[52] U.S. Cl. D18/7; D18/2

[58] Field of Search D18/2, 6-8, D18/11, 12; D14/100, 105, 107, 114, 115; 364/706-710; 200/5 A

[56] References Cited

U.S. PATENT DOCUMENTS

3,314,601 4/1967 Voo D18/7 X
4,458,320 7/1984 Sutton 364/709 X

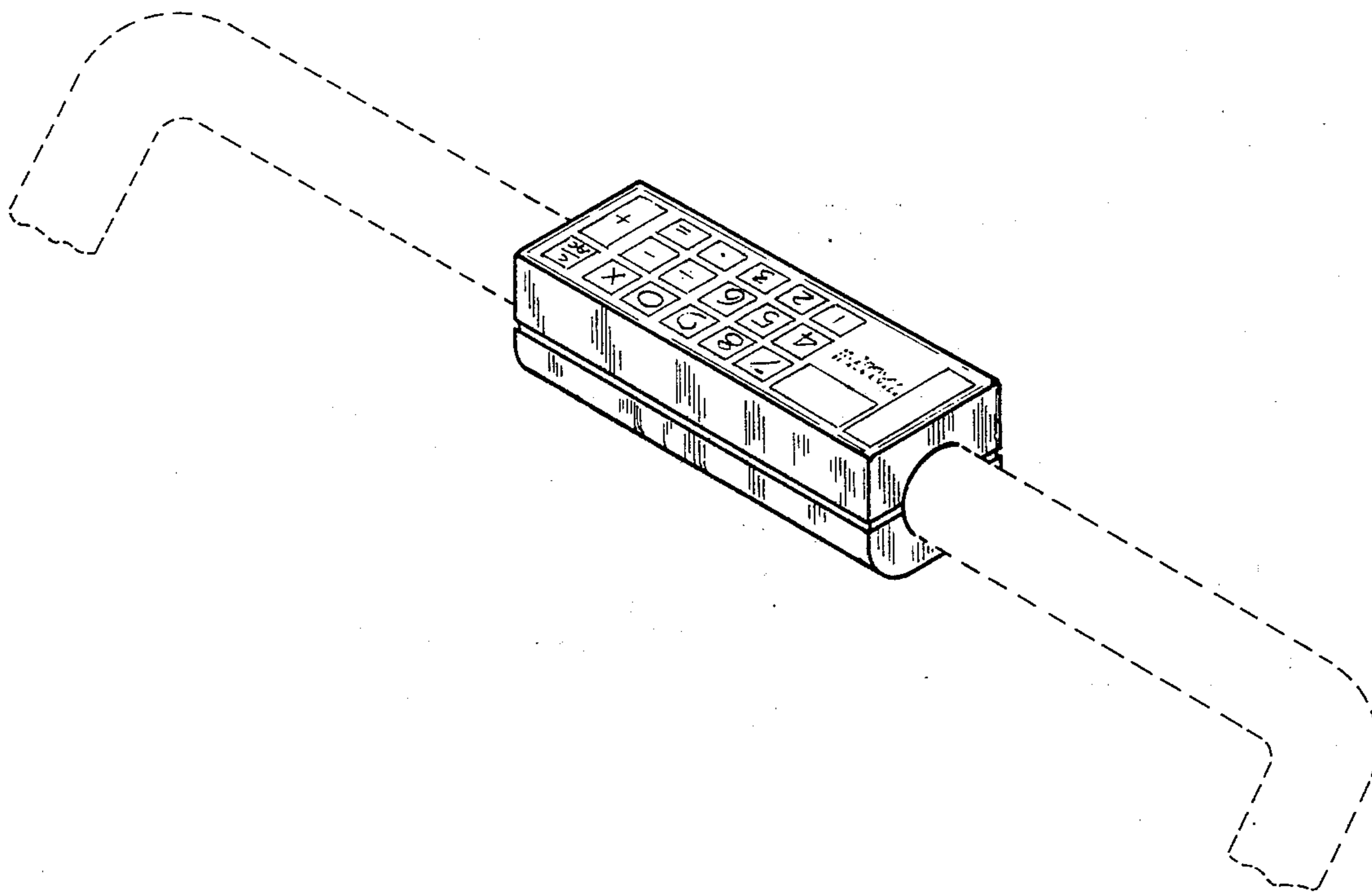
Primary Examiner—Louis S. Zarfes
Attorney, Agent, or Firm—Head, Johnson & Stevenson

[57] CLAIM

The ornamental design for a calculator for a shopping cart, substantially as shown and described.

DESCRIPTION

FIG. 1 is a top plan view of a calculator for a shopping cart showing our new design;
FIG. 2 is a bottom view;
FIG. 3 is a side elevational view of one side and mirror image side elevation view of the other side;
FIG. 4 is a front elevational view and back elevational view; and
FIG. 5 is a perspective view showing the calculator for a shopping cart handle.
The broken line showing of a shopping cart handle and a logo in FIG. 5 is for illustrative purposes only and forms no part of the claimed design.



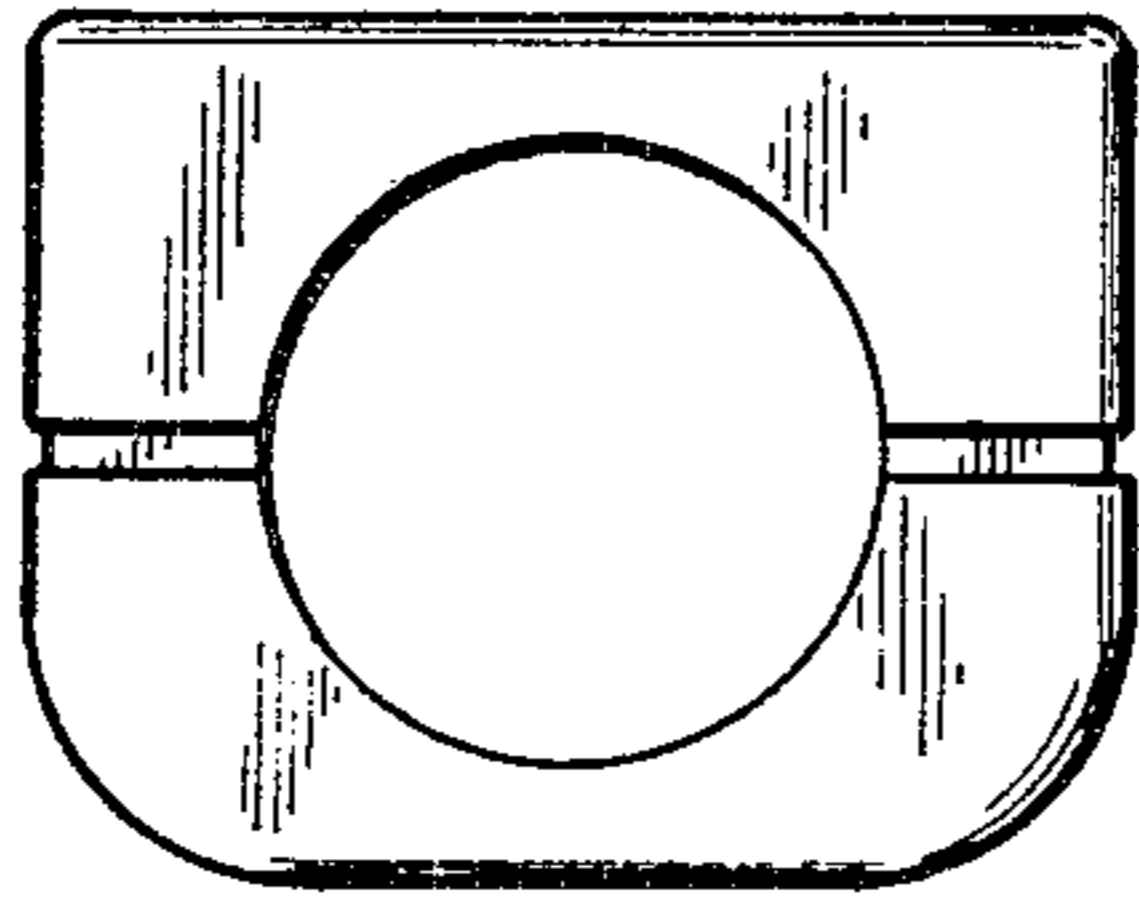


FIG. 3

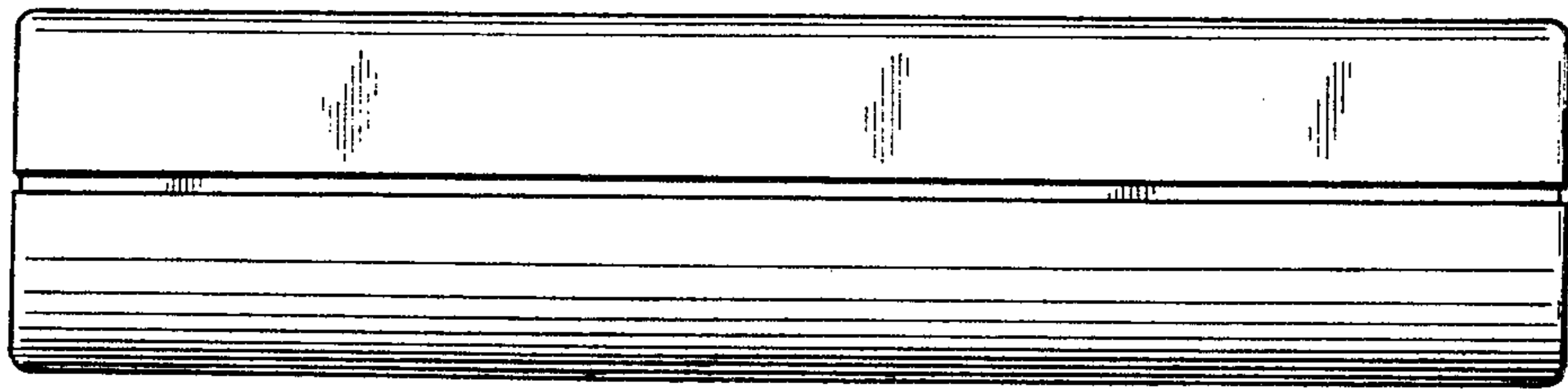


FIG. 4

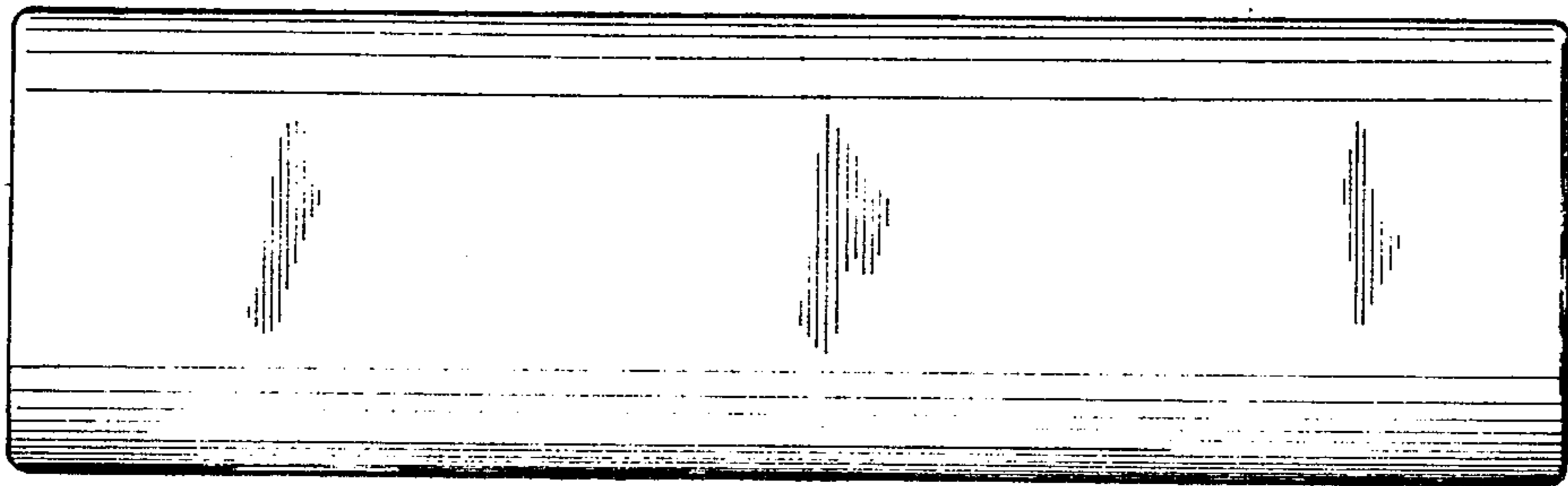


FIG. 2

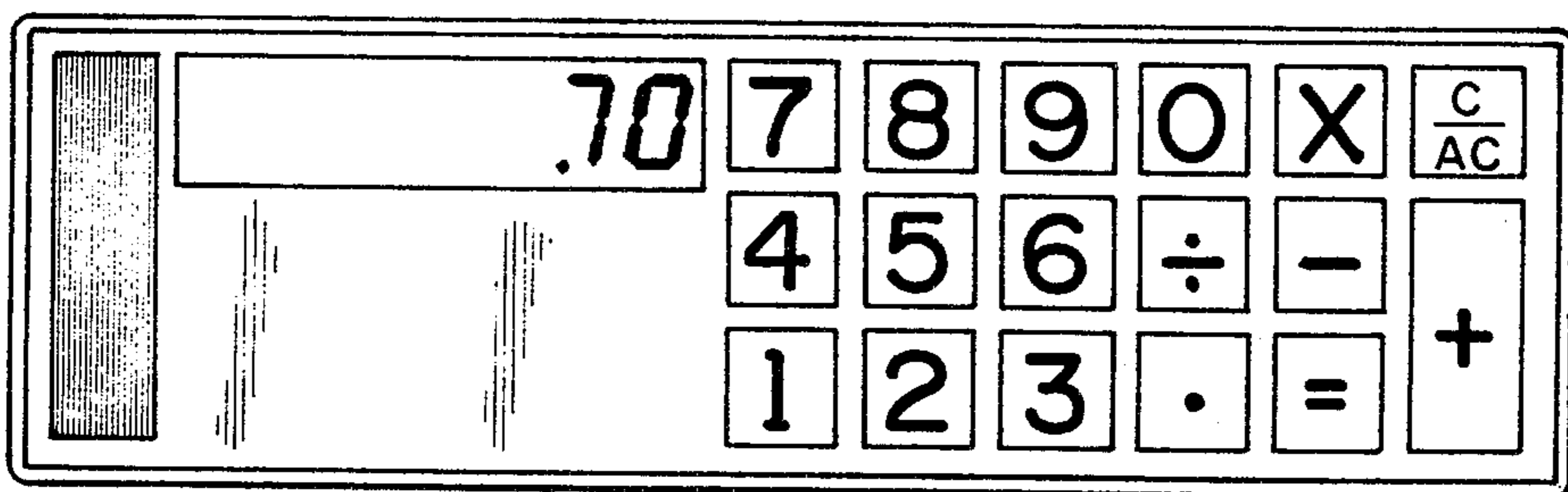


FIG. 1

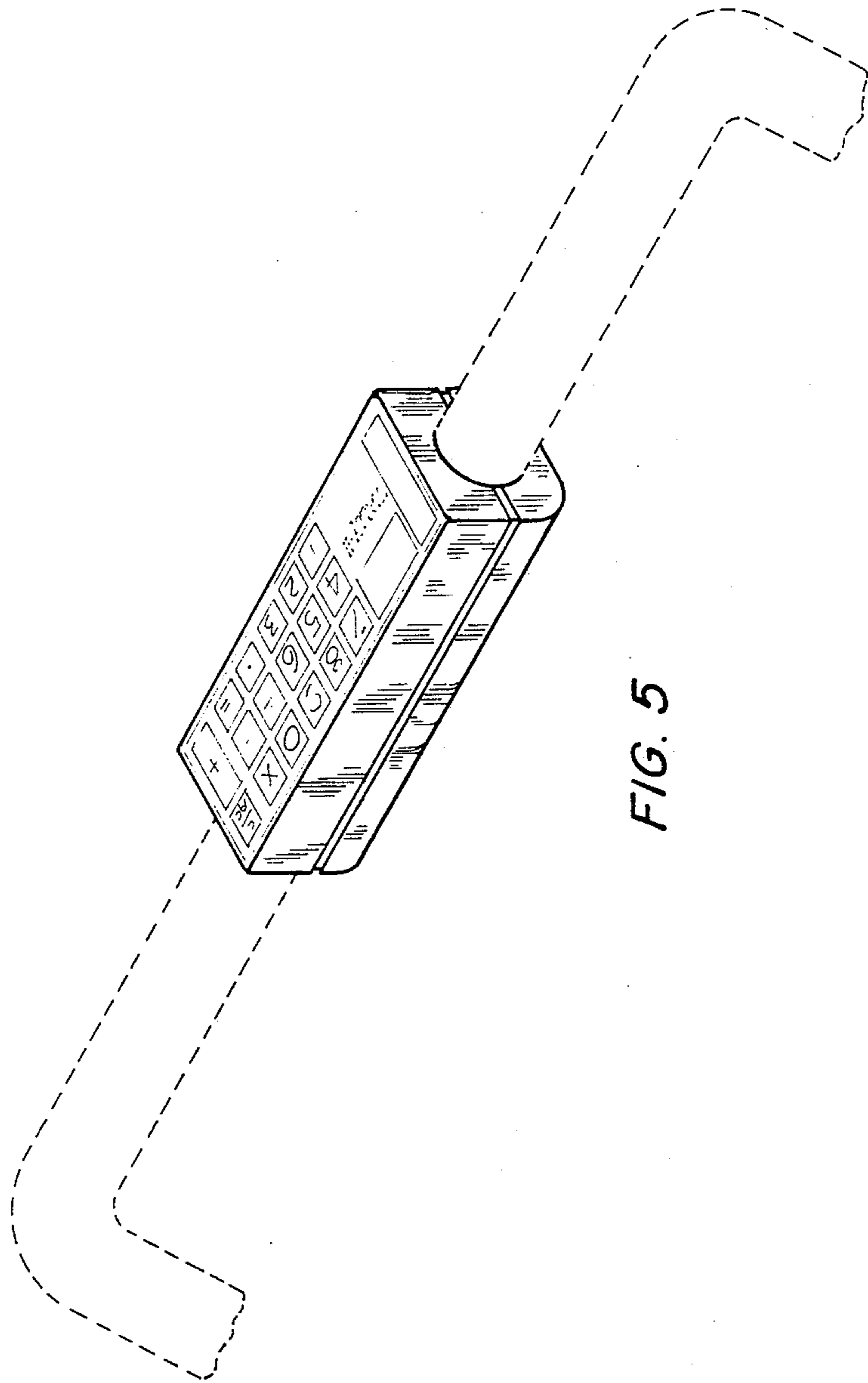


FIG. 5