

[54] BINOCULAR

[75] Inventors: Heinrich Janke, Braunfels; Alfred Hengst, Lahnau; Hans-Kurt Uellenberg, Edingen, all of Fed. Rep. of Germany

[73] Assignee: Ernst Leitz Wetzlar G.m.b.H., Wetzlar, Fed. Rep. of Germany

[**] Term: 14 Years

[21] Appl. No.: 607,893

[22] Filed: May 3, 1984

[30] Foreign Application Priority Data

Nov. 7, 1983 [DE] Fed. Rep. of Germany 5MR246
[52] U.S. Cl. D16/133
[58] Field of Search D16/130-136;
350/545, 552-556

[56] References Cited

U.S. PATENT DOCUMENTS

D. 238,304 12/1975 Hengst et al. D16/133
D. 240,332 6/1976 Altenheiner et al. D16/133
D. 255,364 6/1980 Lange D16/133
3,604,779 9/1971 Reinhold D16/133 X
4,080,043 3/1978 Altenheiner et al. 350/554

FOREIGN PATENT DOCUMENTS

2258825 6/1974 Fed. Rep. of Germany 350/552

OTHER PUBLICATIONS

"Consumer Reports", Mar. 1980, p. 196, Binoculars, In-Line Binocular, top center of page.
Eddie Bauer Summer '83 Catalog, p. 56, Brunton Roof Prism Binoculars/bottom right of page.

Primary Examiner—Susan J. Lucas
Assistant Examiner—C. E. Heflin
Attorney, Agent, or Firm—Wells & Wells

[57] CLAIM

The ornamental design for a binocular, as shown and described.

DESCRIPTION

FIG. 1 is a bottom perspective view of the binocular showing our new design, with both ocular cylinders shown retracted;
FIG. 2 is a front elevational view thereof;
FIG. 3 is a top plan view thereof, with both ocular cylinders shown extended;
FIG. 4 is a top plan view thereof, with the binocular shown in the closed position and both ocular cylinders retracted;
FIG. 5 is a rear view thereof;
FIG. 6 is a left side elevational view thereof.

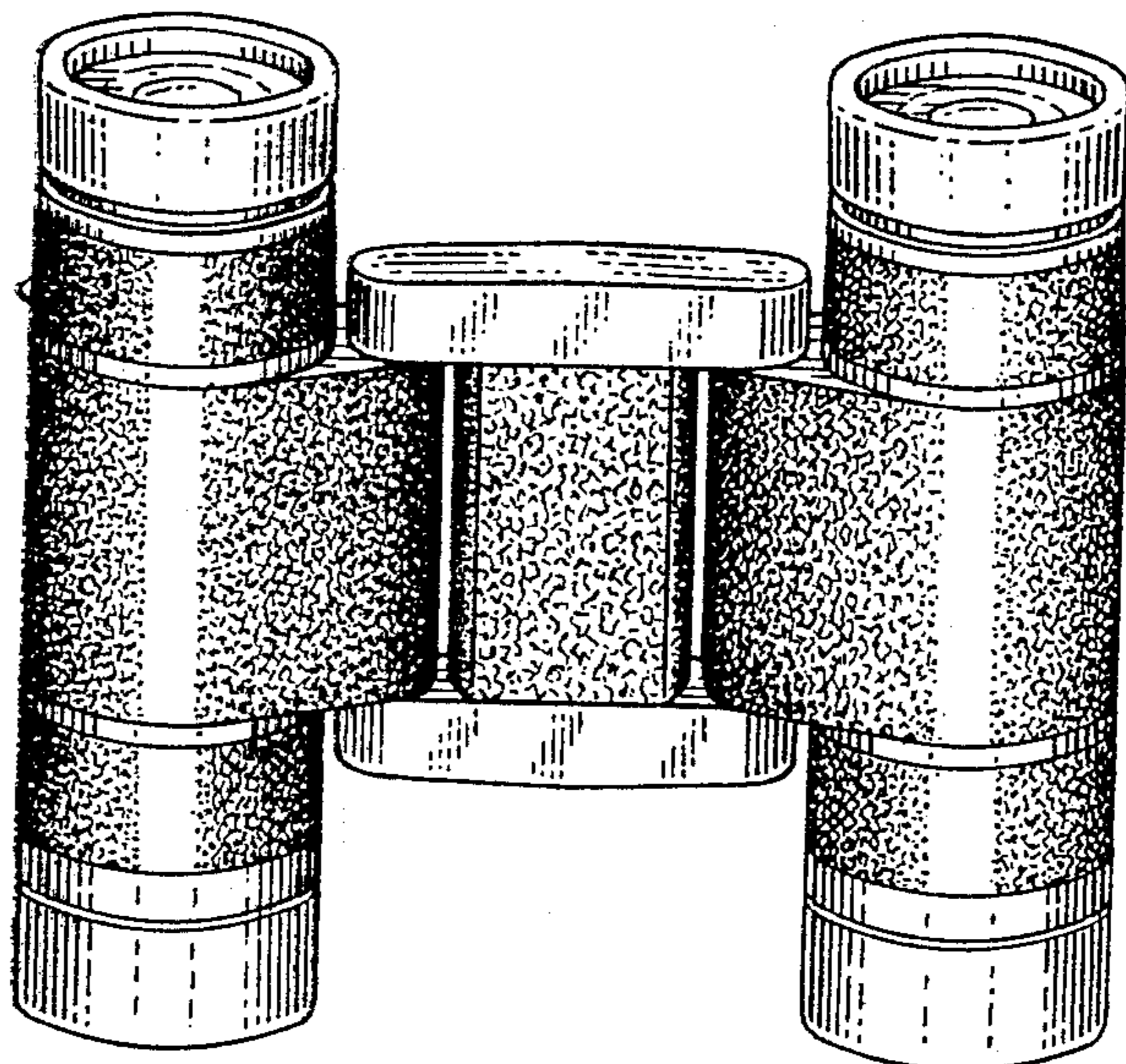


Fig. 1

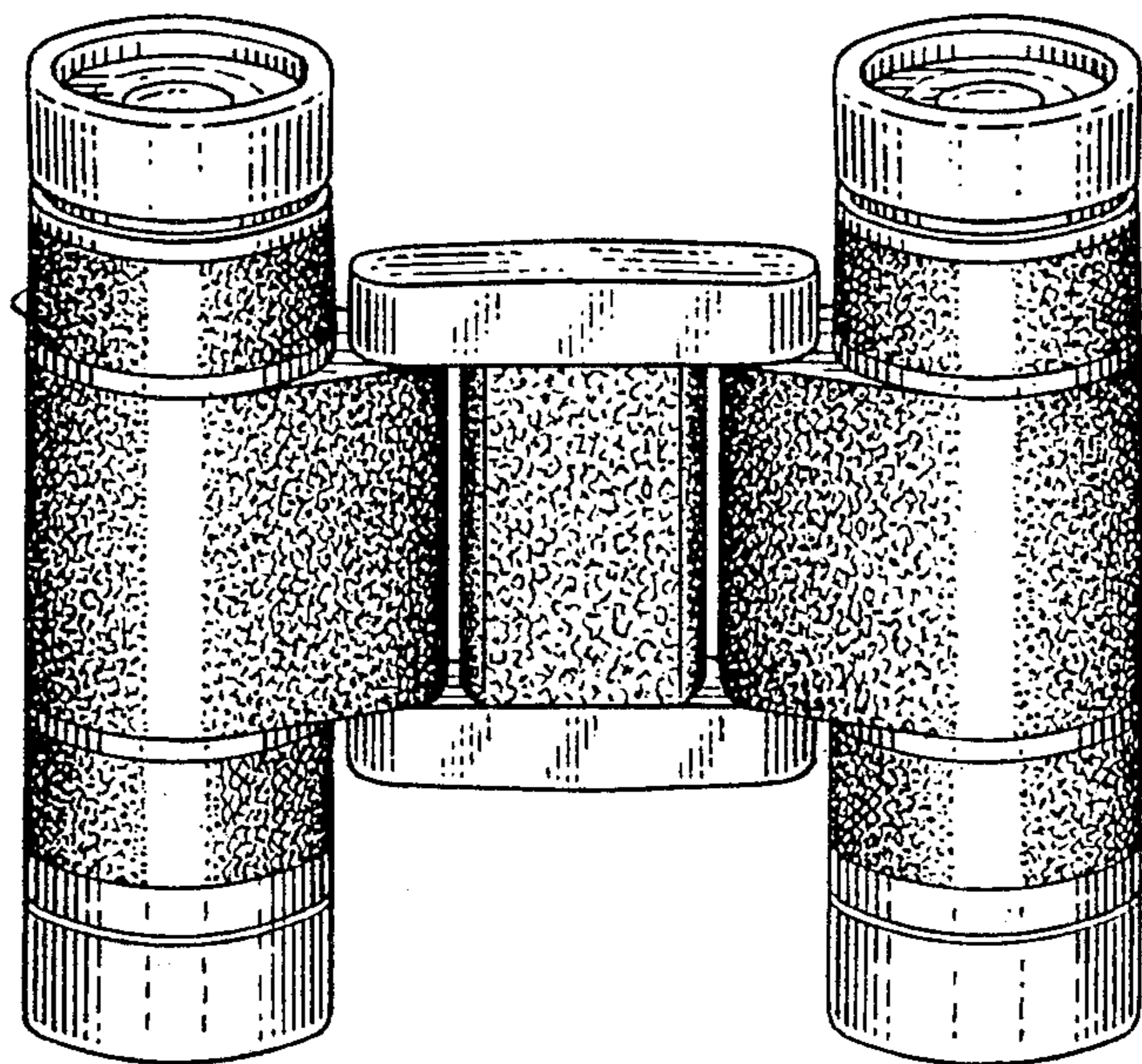


Fig. 2

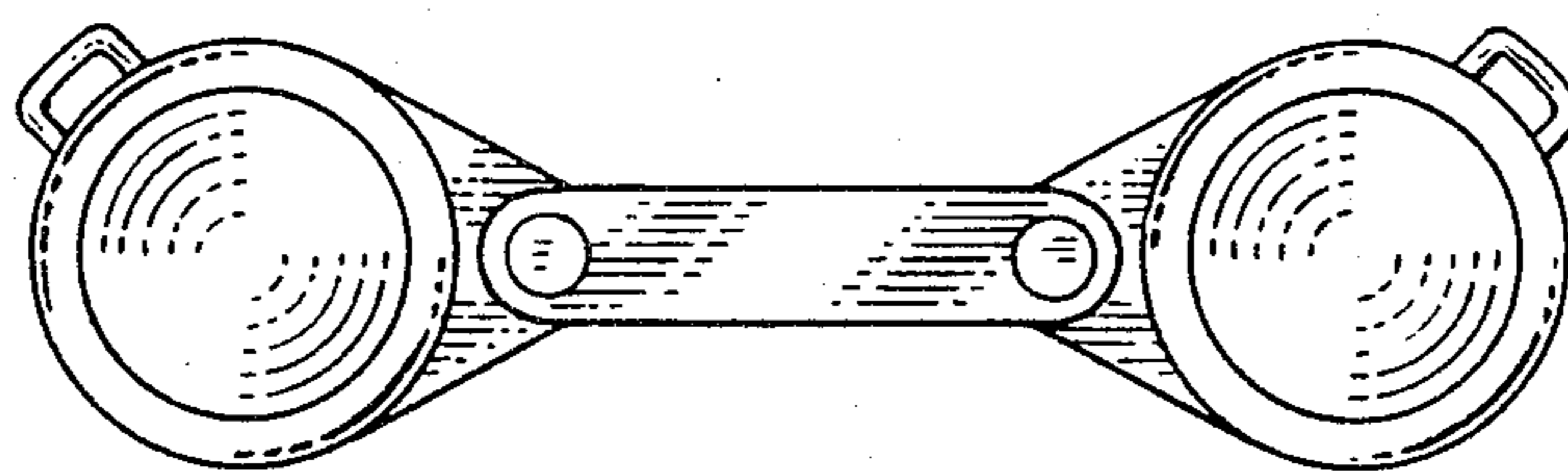


Fig. 3

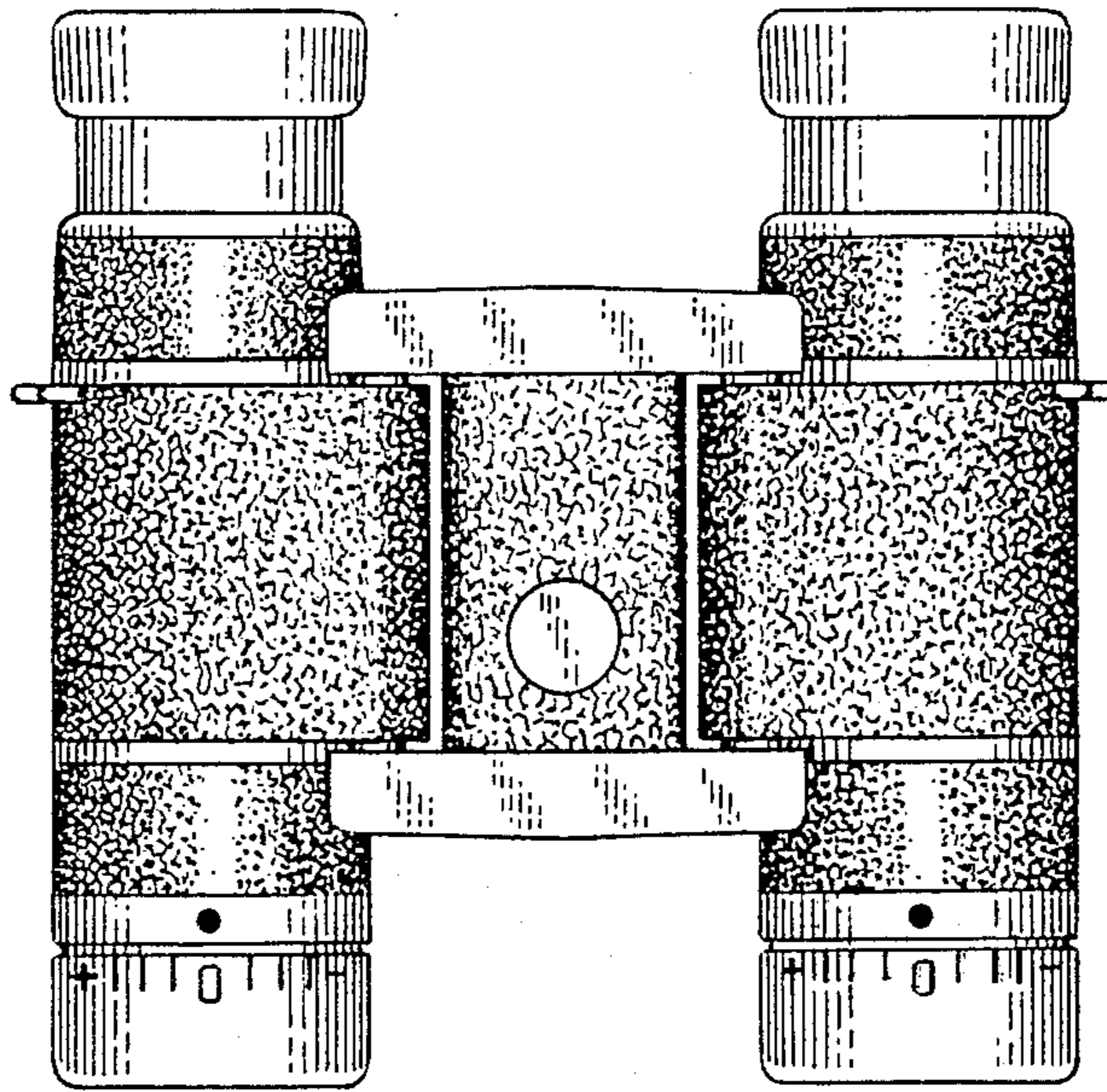


Fig. 4

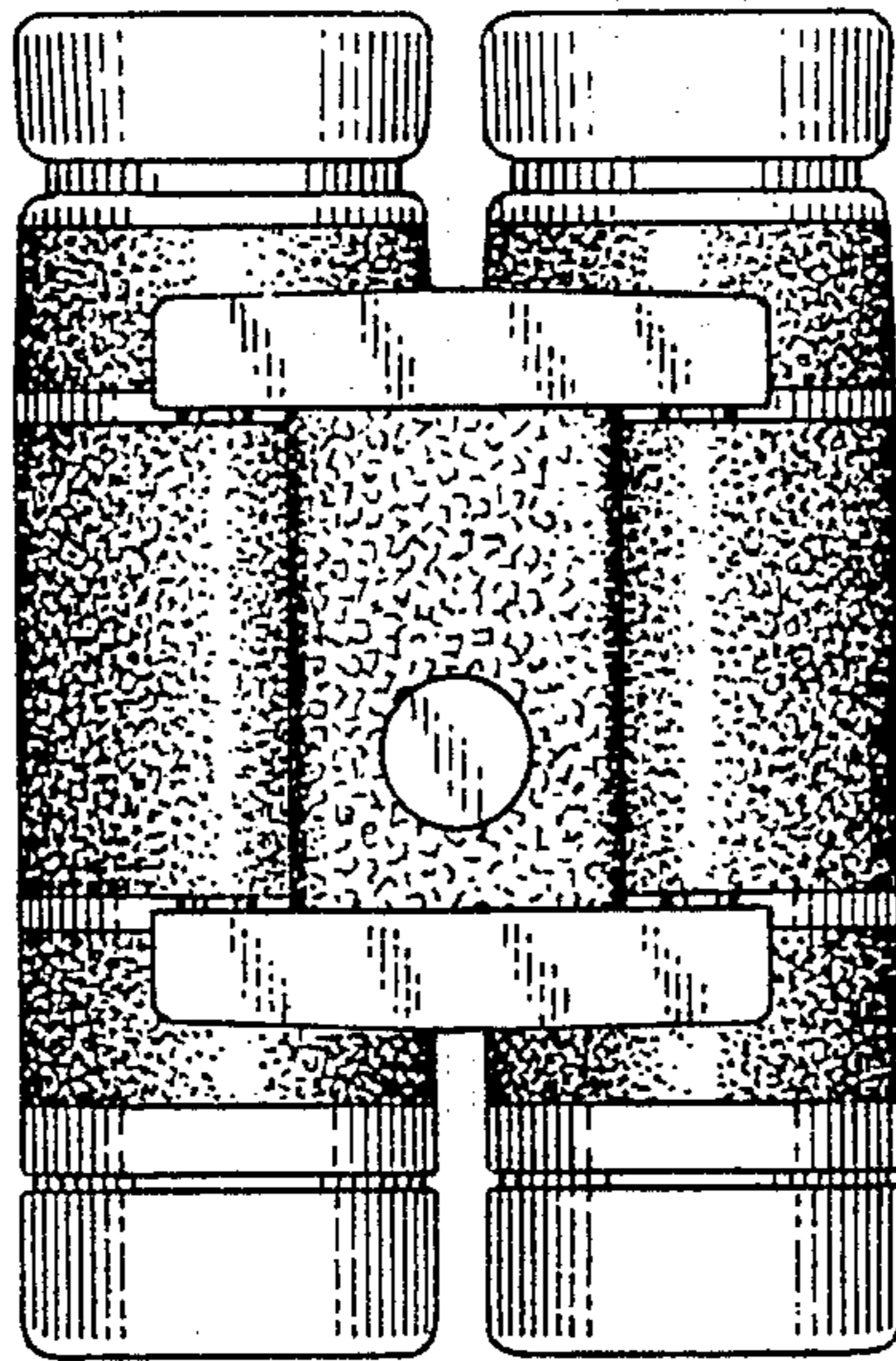


Fig. 5

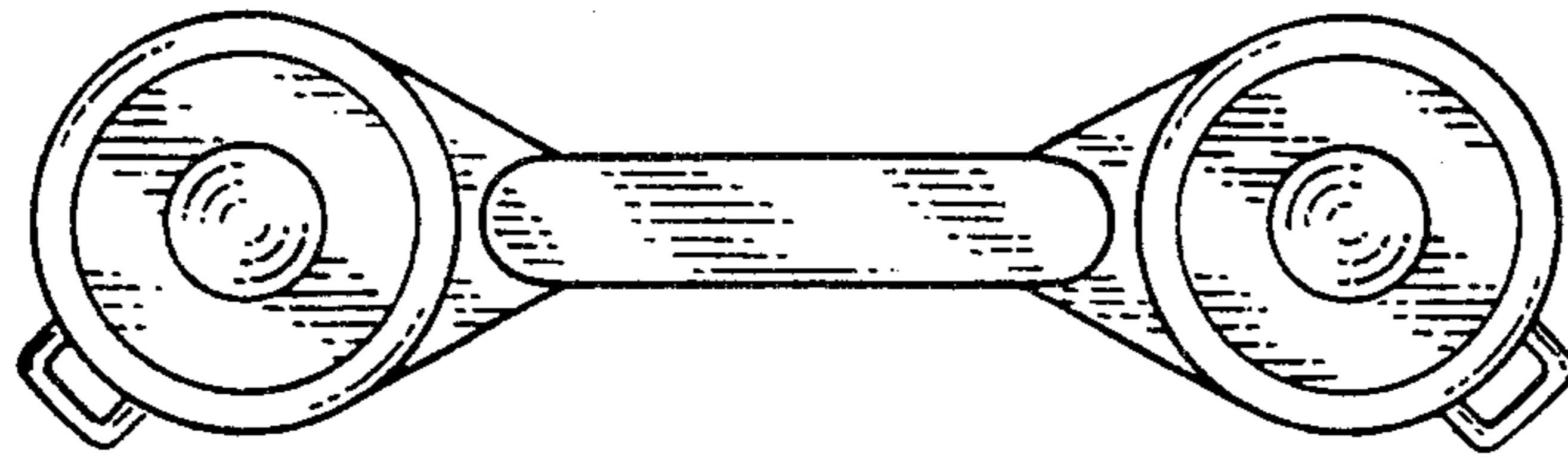


Fig. 6

