

[54] INDUSTRIAL ROBOT

[75] Inventors: Masato Shibayama, Sayama; Takeshi Abe, Tokyo; Daijiro Ida, Narashino; Masayuki Ohshiro, Narashino; Ichiro Takahashi, Narashino; Yasuhiro Hashimoto, Chiyoda; Humio Hujisawa, Mito; Takeshi Araya, Higashikurume, all of Japan

[73] Assignee: Hitachi, Ltd., Tokyo, Japan

[**] Term: 14 Years

[21] Appl. No.: 577,498

[22] Filed: Feb. 6, 1984

[30] Foreign Application Priority Data

Oct. 26, 1983 [JP] Japan 58-46263
Oct. 26, 1983 [JP] Japan 58-46264
Oct. 26, 1983 [JP] Japan 58-46265

[52] U.S. Cl. D15/199; D15/122

[58] Field of Search D15/122, 199; 414/729, 414/732, 738; 901/14, 15, 18, 30

[56] References Cited

U.S. PATENT DOCUMENTS

D. 271,770	12/1983	Kono et al.	D15/199
D. 279,571	7/1985	Arai et al.	D15/199
D. 279,572	7/1985	Yasuoka et al.	D15/199
D. 280,203	8/1985	Shibayama et al.	D15/122
4,273,066	6/1981	Thomson et al.	D15/199
4,505,049	3/1985	Kuno et al.	D15/199

Primary Examiner—B. J. Bullock

Attorney, Agent, or Firm—Antonelli, Terry & Wands

[57] CLAIM

The ornamental design for an industrial robot, as shown.

DESCRIPTION

FIG. 1 is a front, top and right side perspective view of an industrial robot showing our new design; FIG. 2 is an enlarged front elevational view thereof; FIG. 3 is an enlarged top plan view thereof; FIG. 4 is an enlarged rear elevational view thereof; FIG. 5 is an enlarged left side elevational view thereof; FIG. 6 is an enlarged right side elevational view thereof; FIG. 7 is an enlarged bottom plan view thereof; and FIG. 8 is an enlarged front elevational view of the industrial robot with the arm in another position.

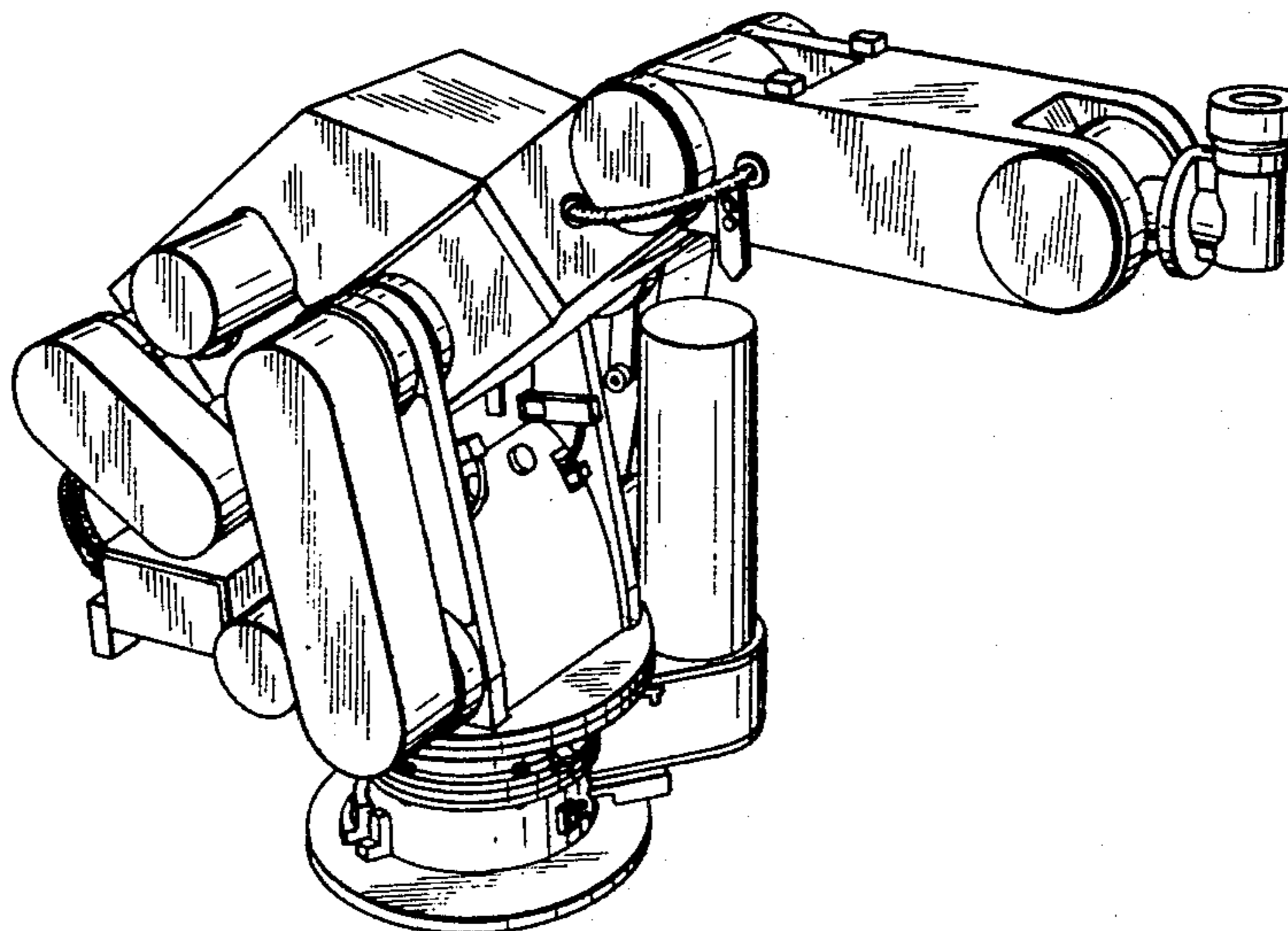


FIG. 1

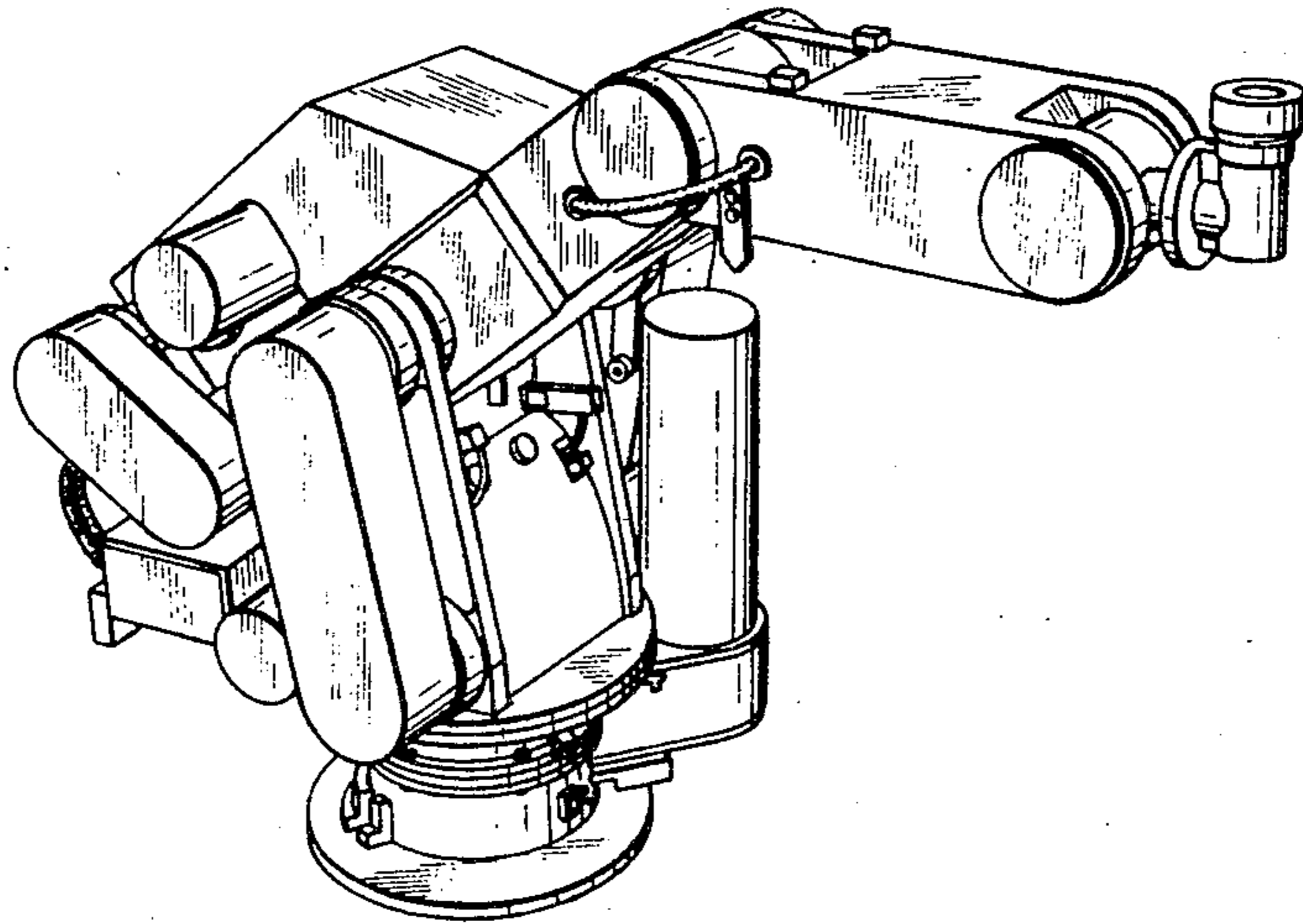


FIG. 2

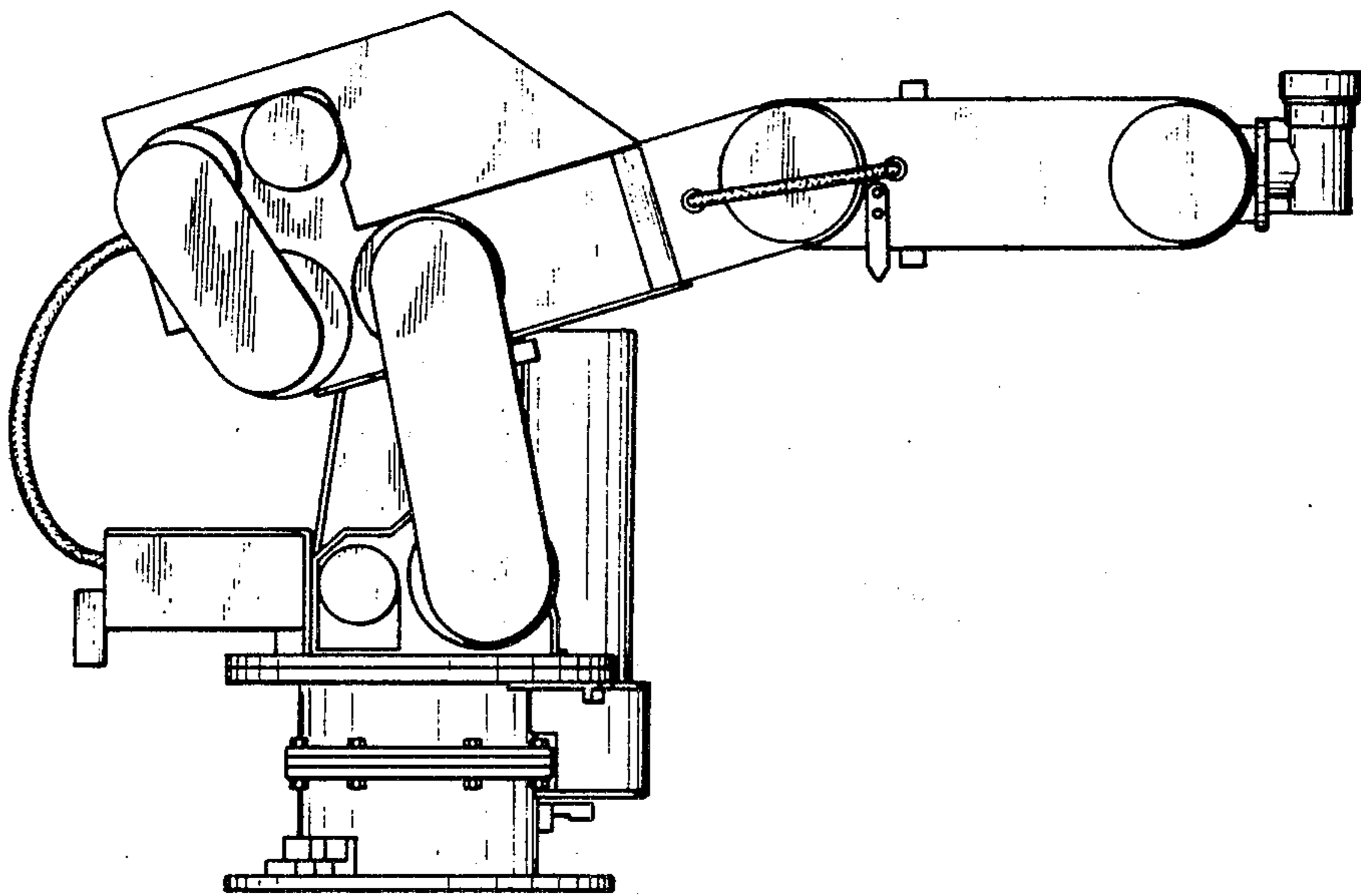


FIG. 3

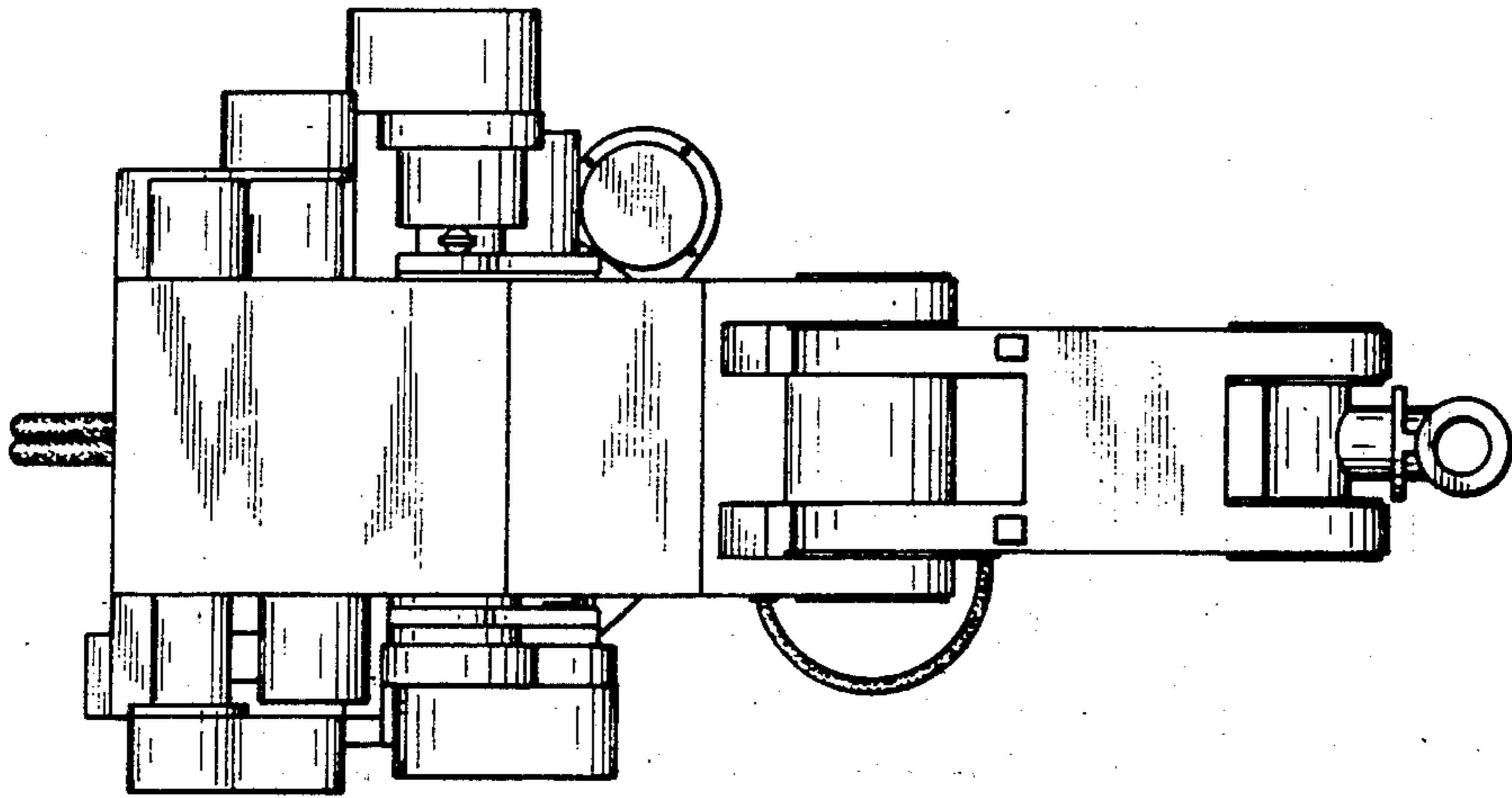


FIG. 4

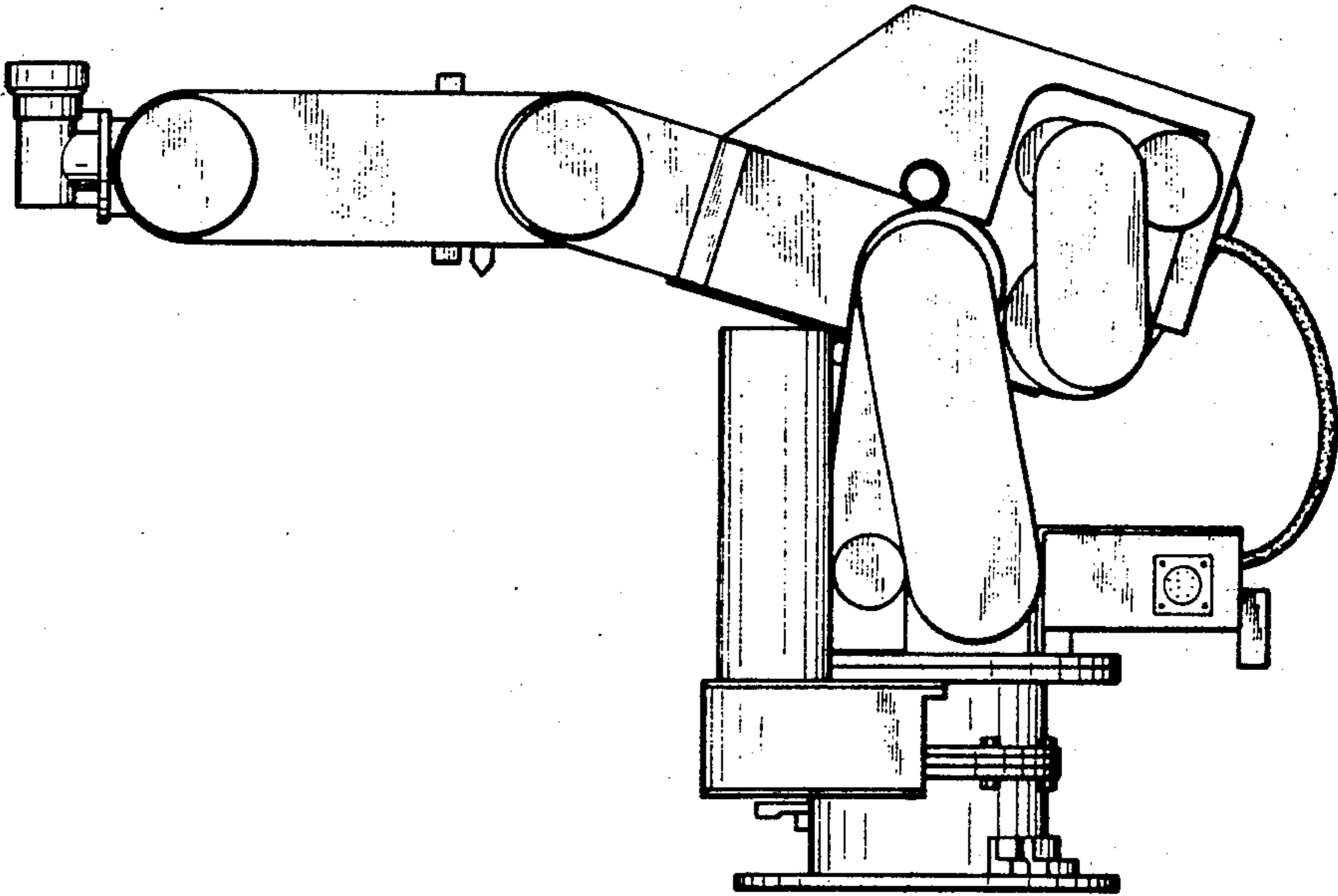


FIG. 5

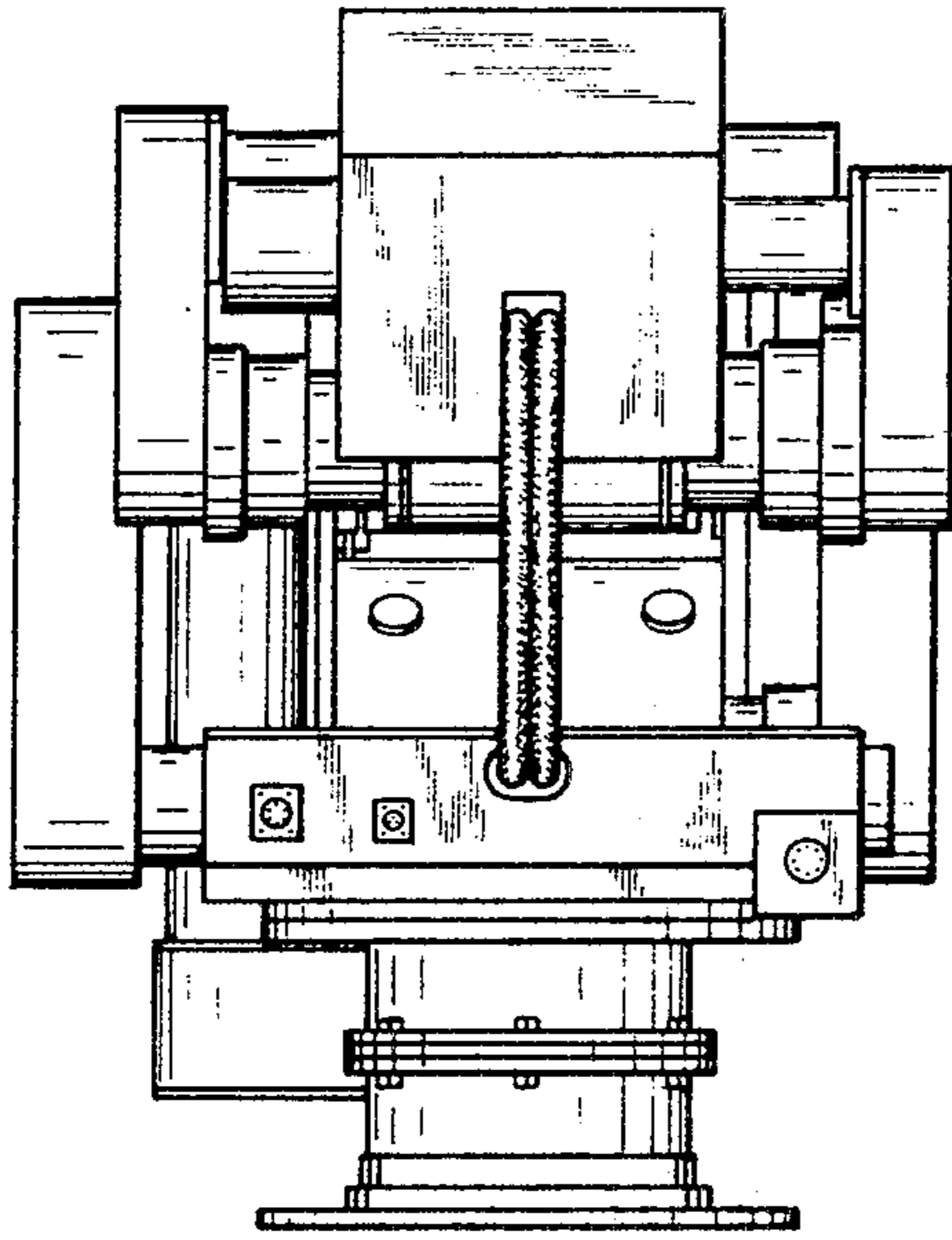


FIG. 6

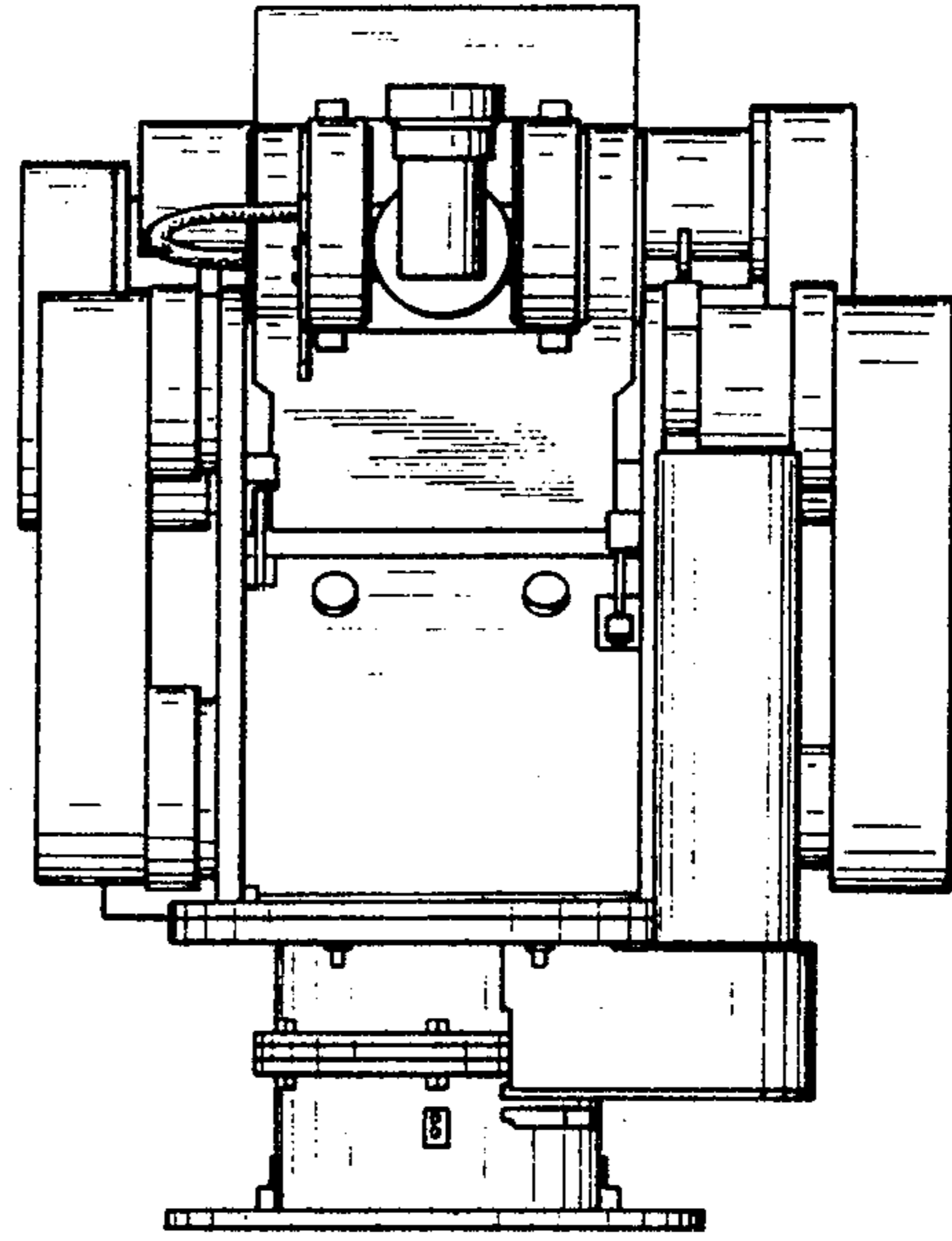


FIG. 7

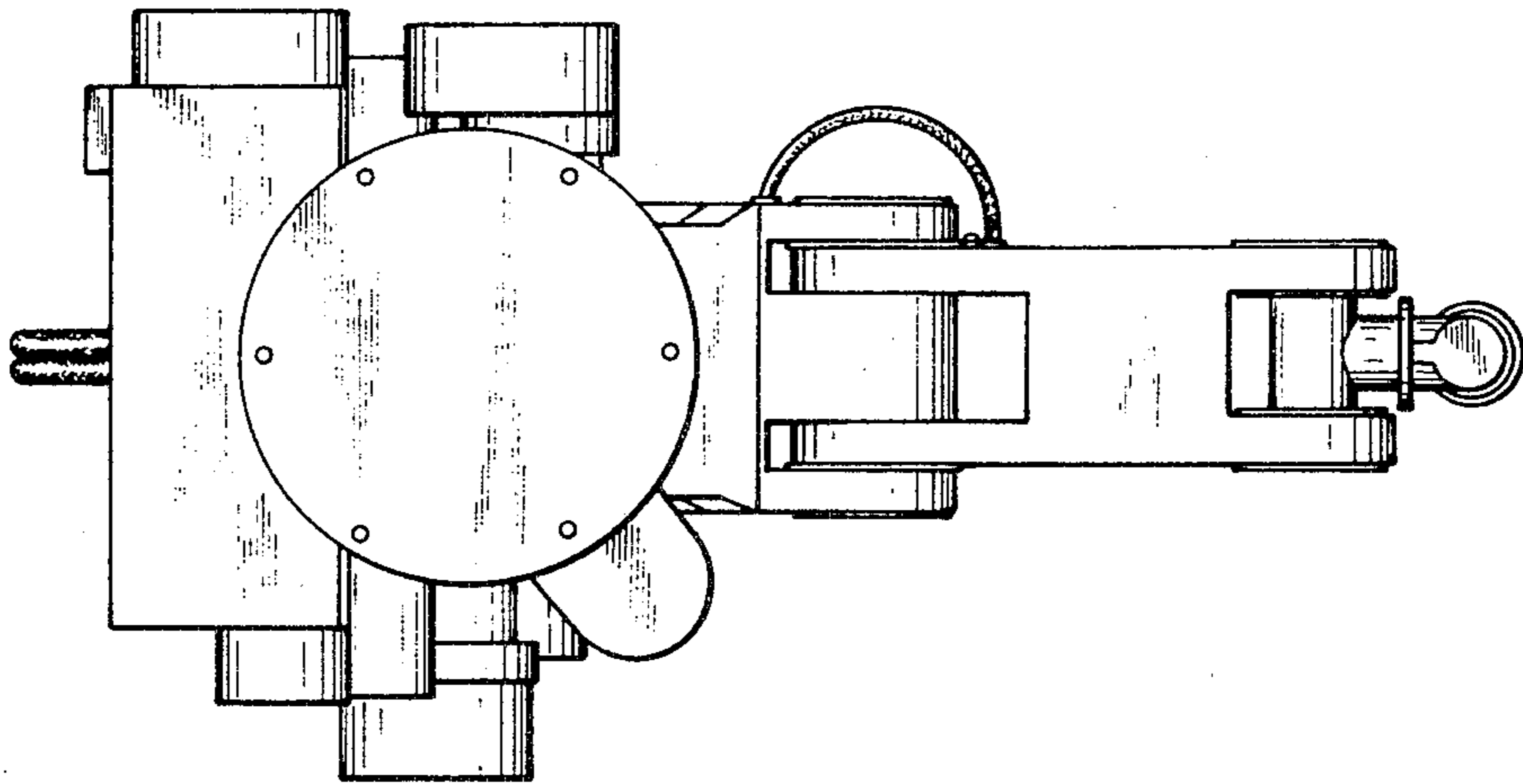


FIG. 8

