

[54] **MOTORIZED SHOVEL**

[75] **Inventor: Gerald Woods, Franklin, N.C.**

[73] **Assignee: Blue Ridge Industrial Support Company, Swannanoa, N.C.**

[**] **Term: 14 Years**

[21] **Appl. No.: 654,965**

[22] **Filed: Sep. 27, 1984**

[52] **U.S. Cl. D15/12; 294/49**

[58] **Field of Search D15/10, 11, 12; D8/10; 172/41; 294/49**

[56] **References Cited**

U.S. PATENT DOCUMENTS

D. 268,184	3/1983	Berner	D15/12
3,548,953	12/1970	Richardson	172/41
3,964,182	6/1976	Pomeret et al.	294/49
4,095,752	6/1978	Pomeret et al.	294/49

4,452,316 6/1984 Edwards 172/41

Primary Examiner—B. J. Bullock
Attorney, Agent, or Firm—David M. Carter

[57] **CLAIM**

The ornamental design for a motorized shovel, as shown and described.

DESCRIPTION

FIG. 1 is a prospective view of a motorized shovel showing my new design;

FIG. 2 is a front elevational view thereof;

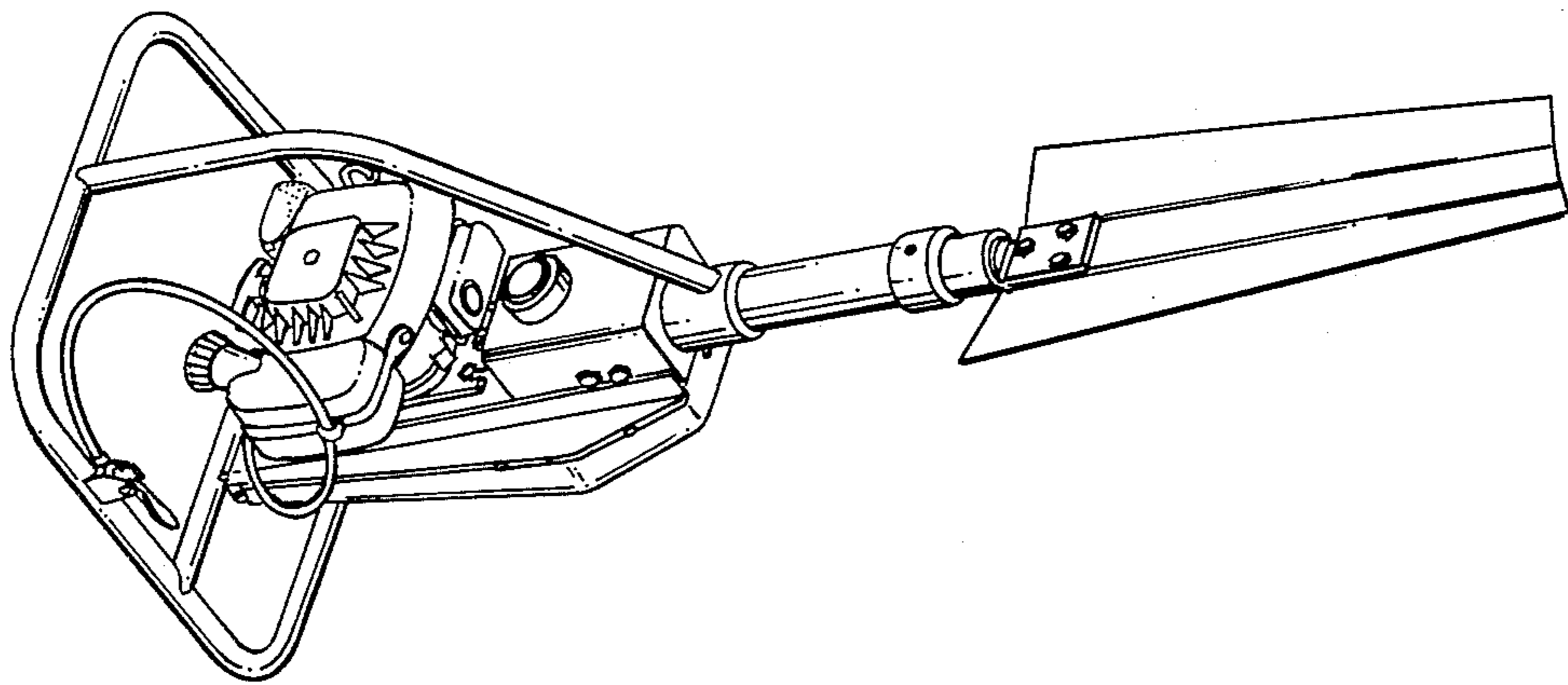
FIG. 3 is a side elevational view taken from the left of FIG. 1;

FIG. 4 is a side elevational view taken from the right of FIG. 1;

FIG. 5 is a top plan view thereof;

FIG. 6 is a bottom plan view thereof.

The rear of the motorized shovel follows the contours shown in FIGS. 3-6.



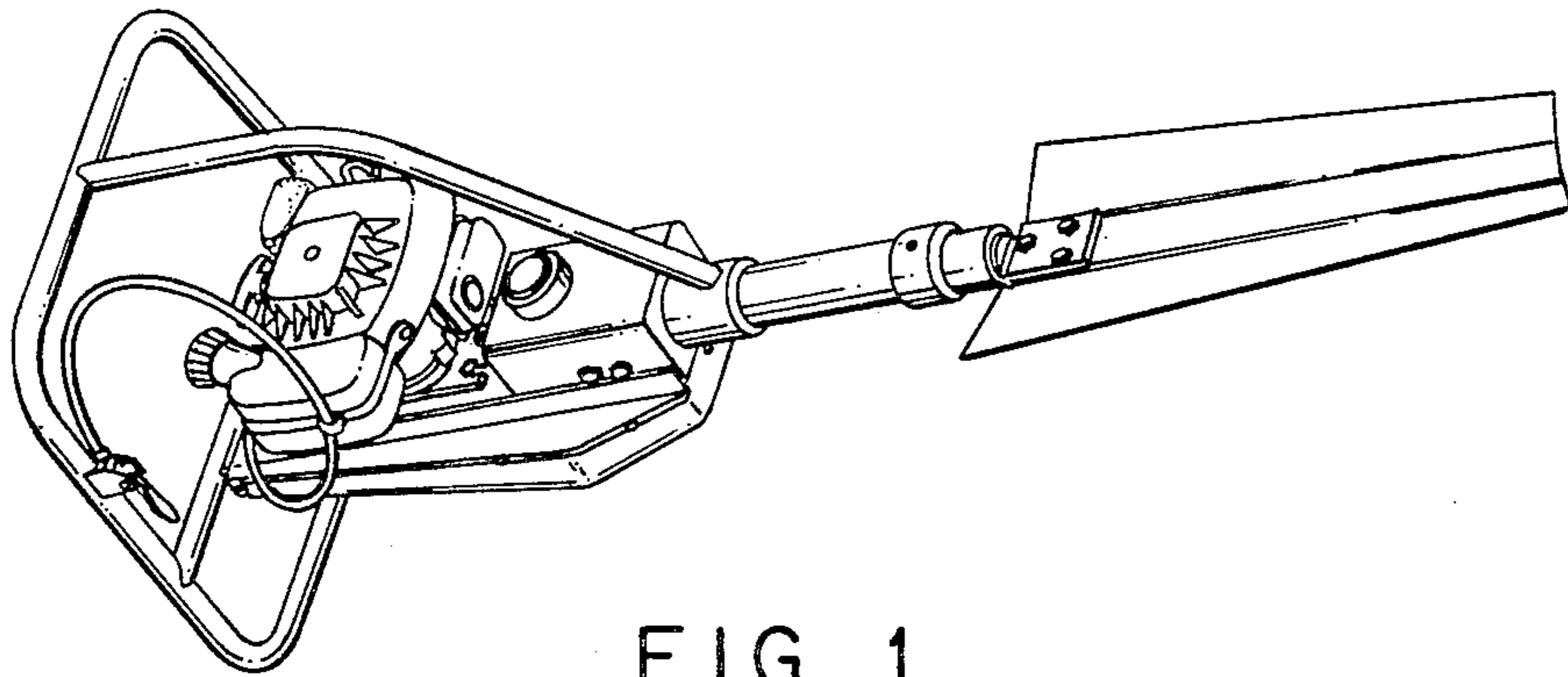


FIG. 1

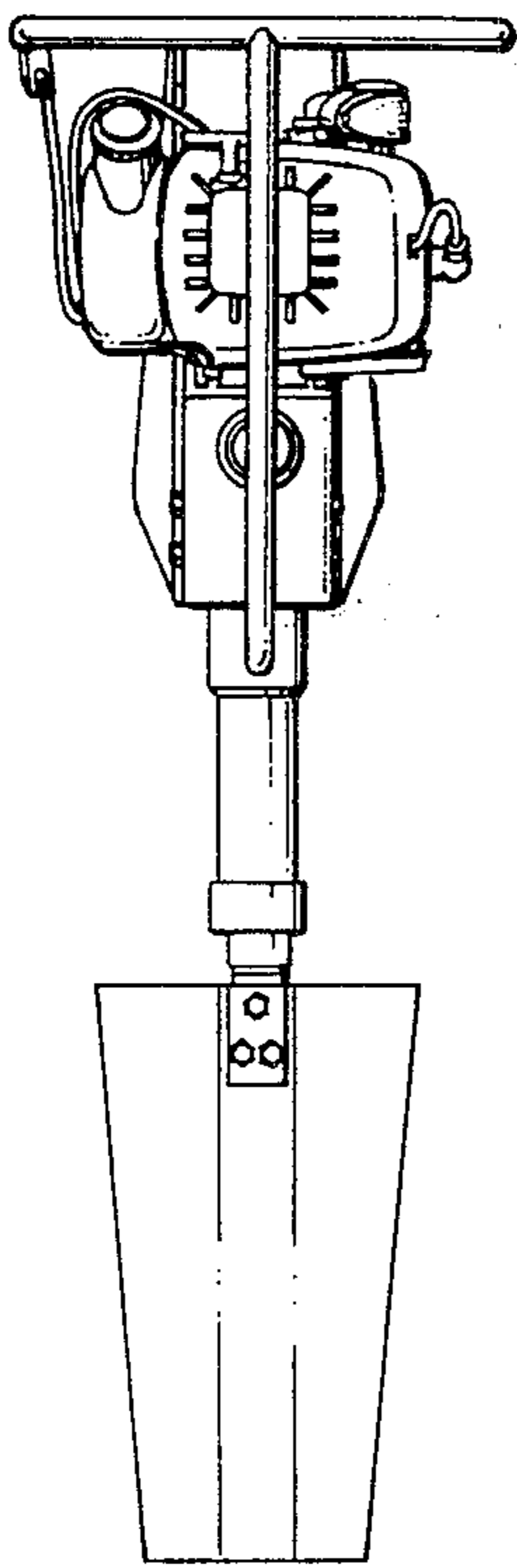


FIG. 2

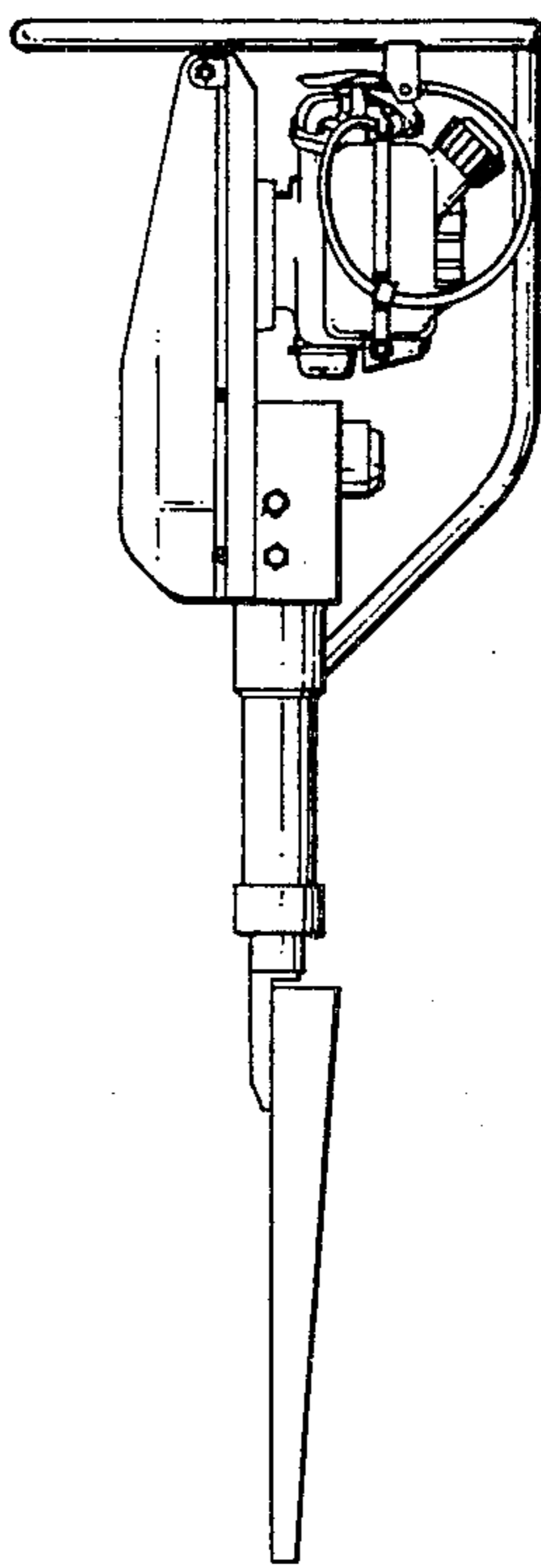


FIG. 3

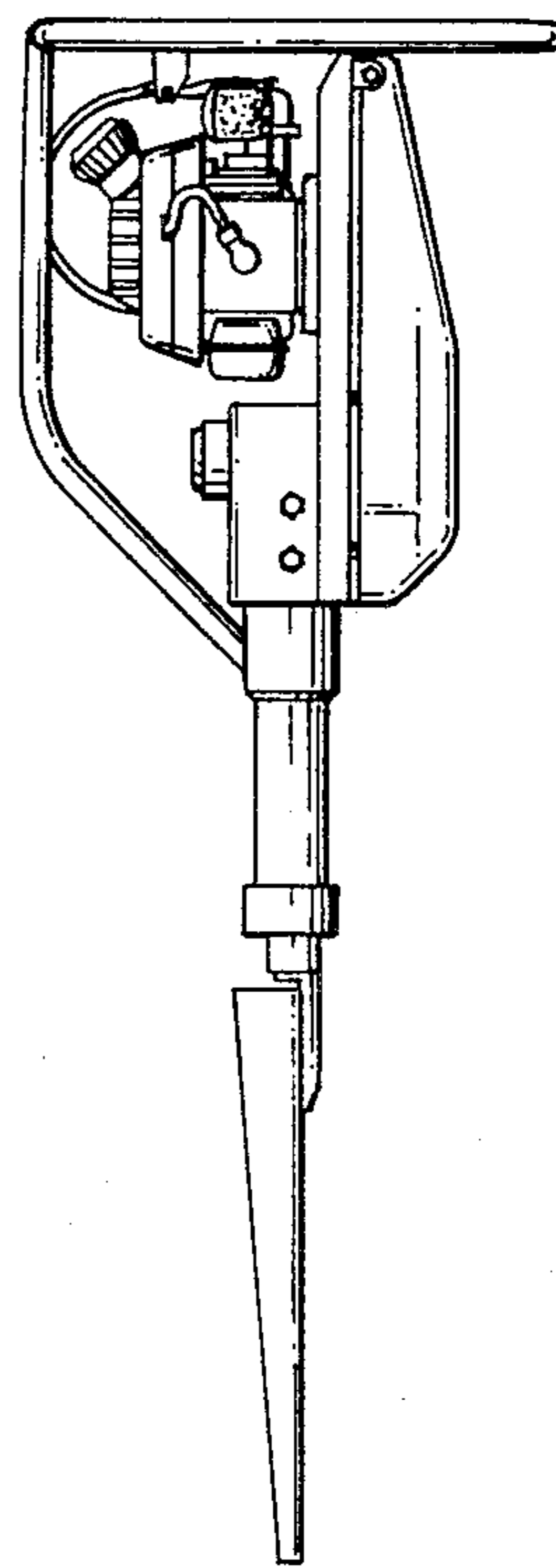


FIG. 4

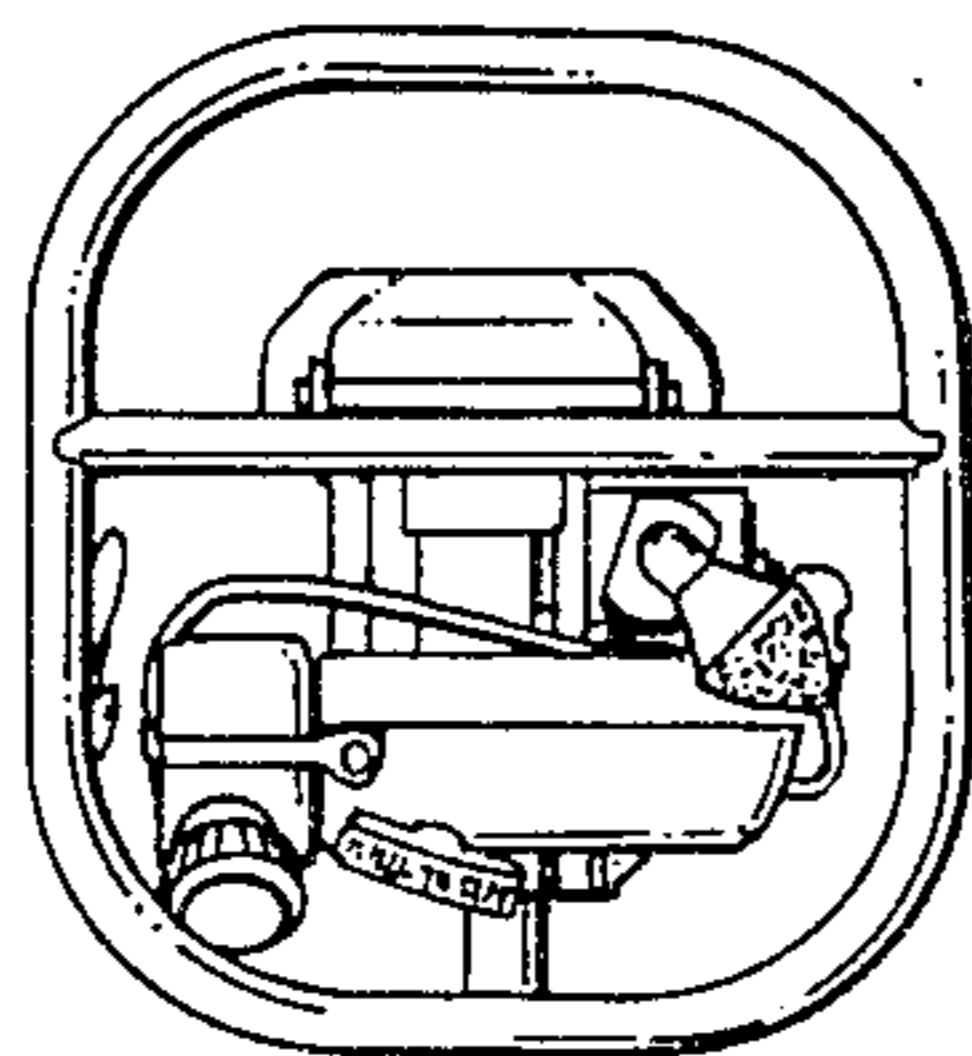


FIG. 5

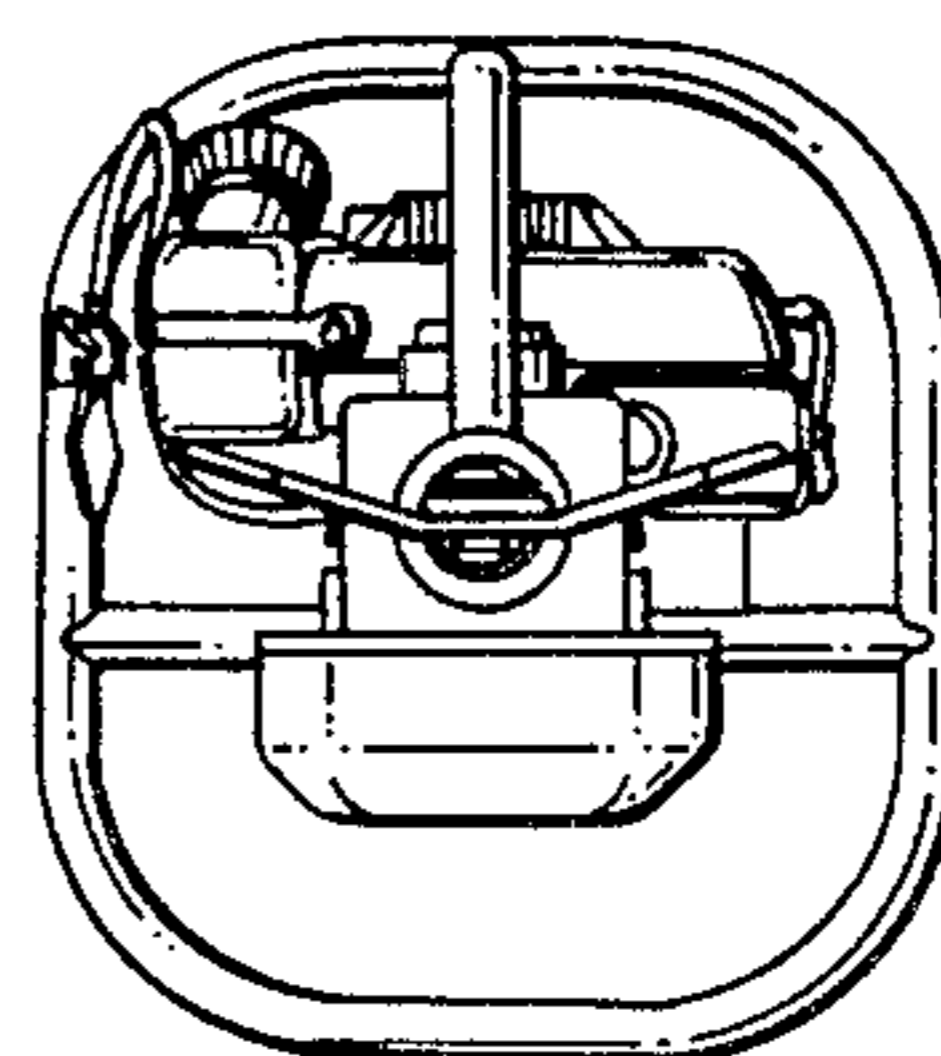


FIG. 6