

[54] DASHBOARD COVER

[75] Inventor: Paul D. Cornwell, Littleton, Colo.

[73] Assignee: Import Auto Products, Ltd., Denver, Colo.

[**] Term: 14 Years

[21] Appl. No.: 610,231

[22] Filed: May 14, 1984

[52] U.S. Cl. D12/192

[58] Field of Search D12/192; 180/90; 280/752; 296/70

[56] References Cited

U.S. PATENT DOCUMENTS

D. 182,011	1/1958	Wilfert	D12/192
D. 271,481	11/1983	Sugai	D12/192
3,876,228	4/1975	Hawkins et al.	296/70
3,896,448	7/1975	Killen et al.	180/90
4,456,640	6/1984	Nishihara	296/70

4,508,381 4/1985 Herring 180/90

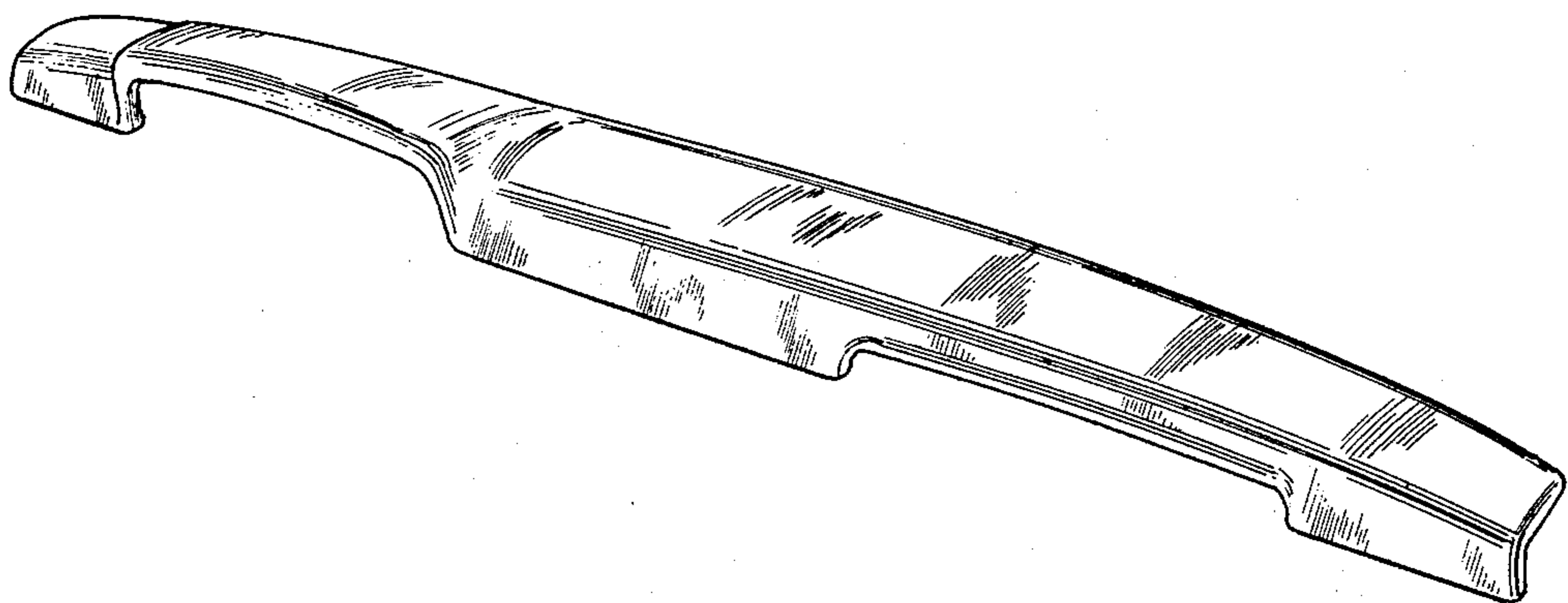
Primary Examiner—James M. Gandy
Attorney, Agent, or Firm—John E. Reilly

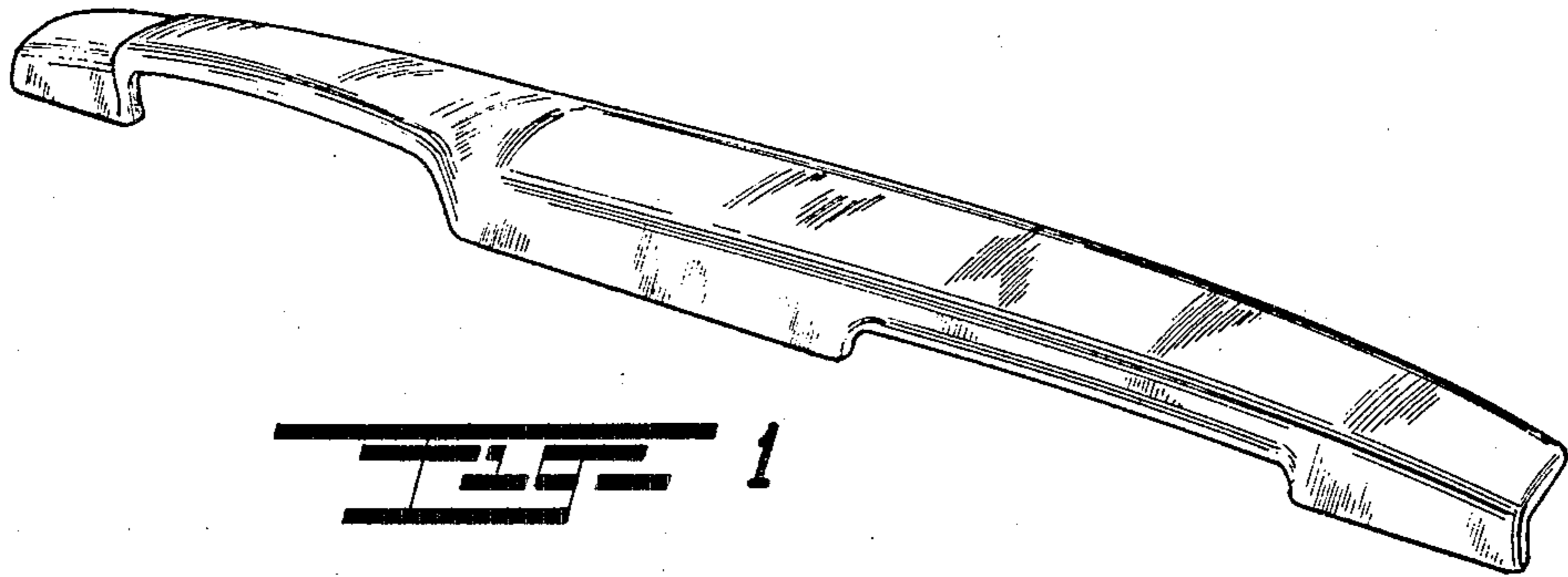
[57] CLAIM

The ornamental design for a dashboard cover, as shown.

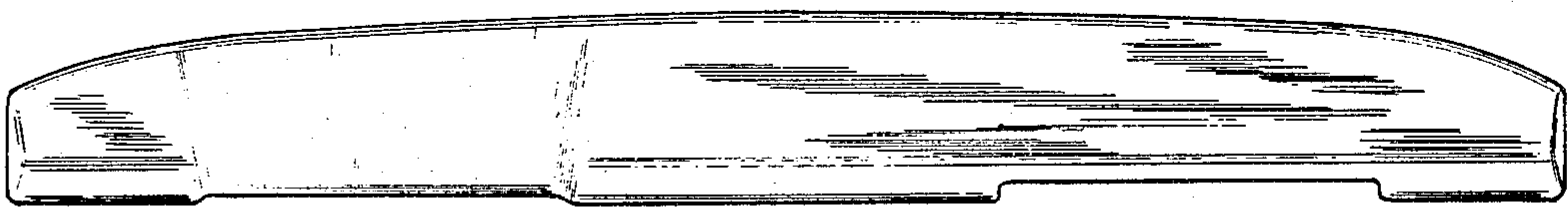
DESCRIPTION

FIG. 1 is a perspective view of a dashboard cover embodying my new design;
 FIG. 2 is a top plan view thereof;
 FIG. 3 is a front elevational view thereof;
 FIG. 4 is a rear elevational view thereof;
 FIG. 5 is a left side elevational view thereof.
 FIG. 6 is a cross-sectional view thereof taken about lines 6—6 of FIG. 3;
 FIG. 7 is a cross-sectional view thereof taken about lines 7—7 of FIG. 3; and
 FIG. 8 is a cross-sectional view thereof taken about lines 8—8 of FIG. 3.

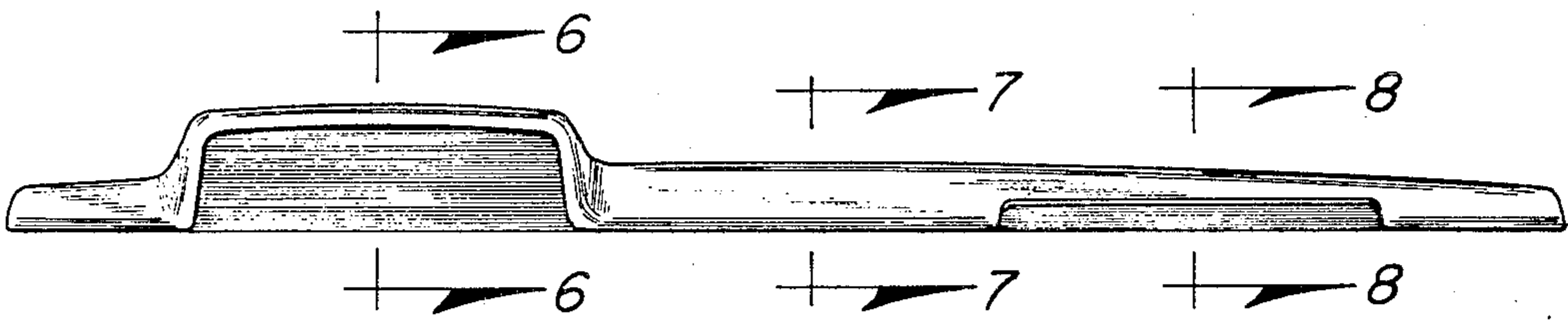




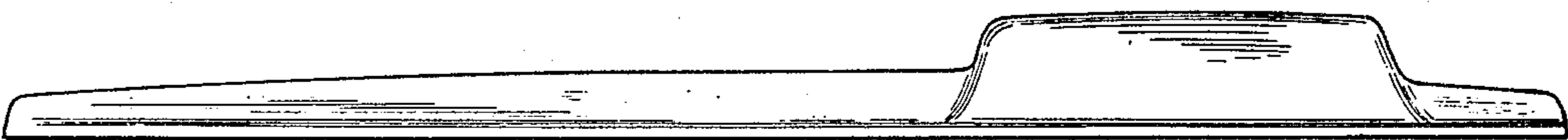
 1



 2



 3



 4

