

[54] **TIRE**

[75] **Inventor: Michael W. Cain, Simpsonville, S.C.**

[73] **Assignee: Michelin Recherche et Technique S.A., Basel, Switzerland**

[**] **Term: 14 Years**

[21] **Appl. No.: 672,095**

[22] **Filed: Nov. 15, 1984**

[52] **U.S. Cl. D12/147**

[58] **Field of Search D12/136, 138, 141-143, D12/145-151; 152/209 R, 209 D**

[56] **References Cited**

U.S. PATENT DOCUMENTS

D. 283,703 5/1986 Schoonhoven D12/147

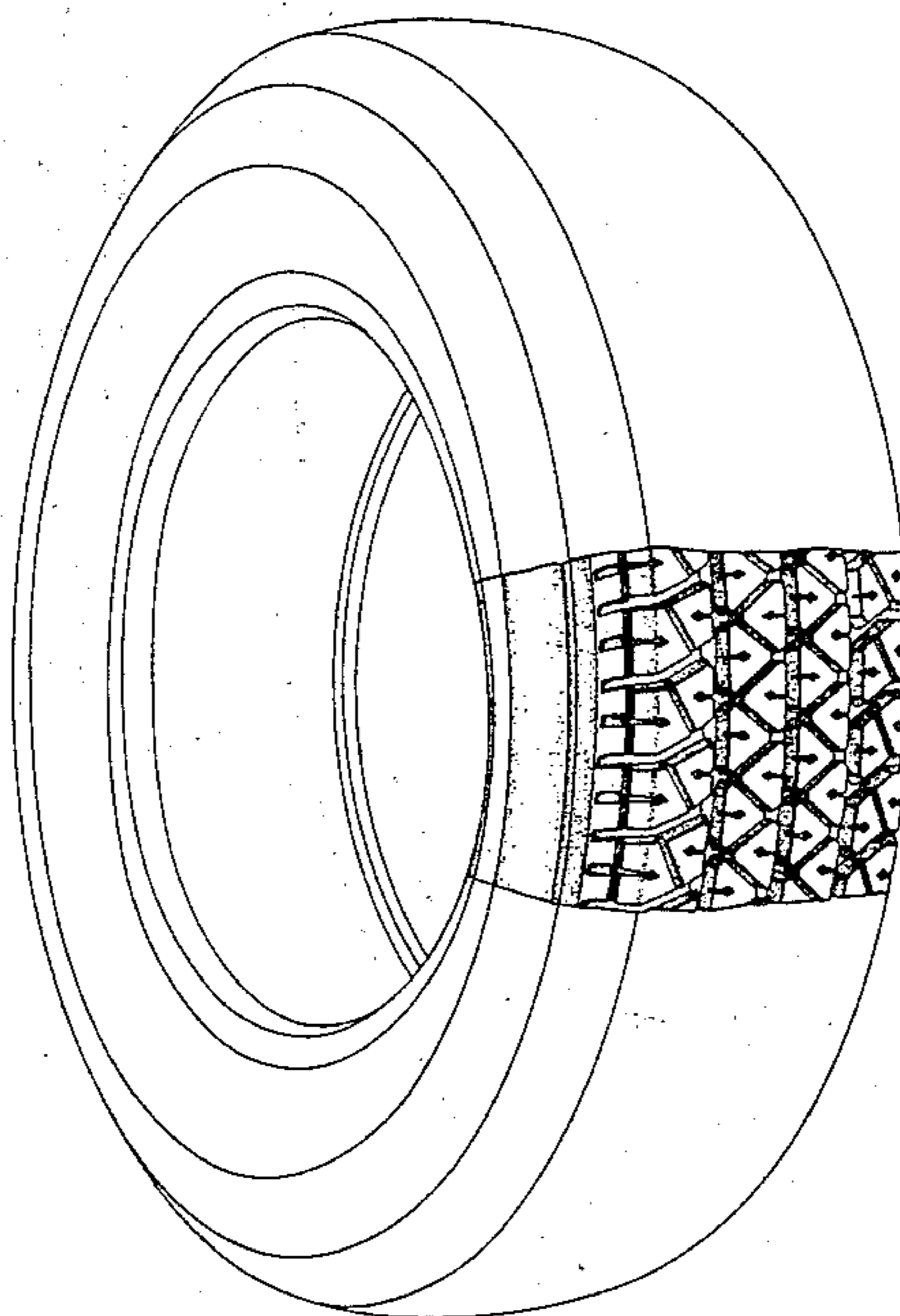
Primary Examiner—James M. Gandy
Attorney, Agent, or Firm—Brumbaugh, Graves, Donohue & Raymond

[57] **CLAIM**

The ornamental design for a tire, as shown and described.

DESCRIPTION

FIGS. 1 and 2 are perspective views of a tire showing two embodiments of my new design, it being understood that the tread pattern is repeated throughout the circumference of the tire, as shown schematically by solid lines, the opposite side being substantially the same as that shown.



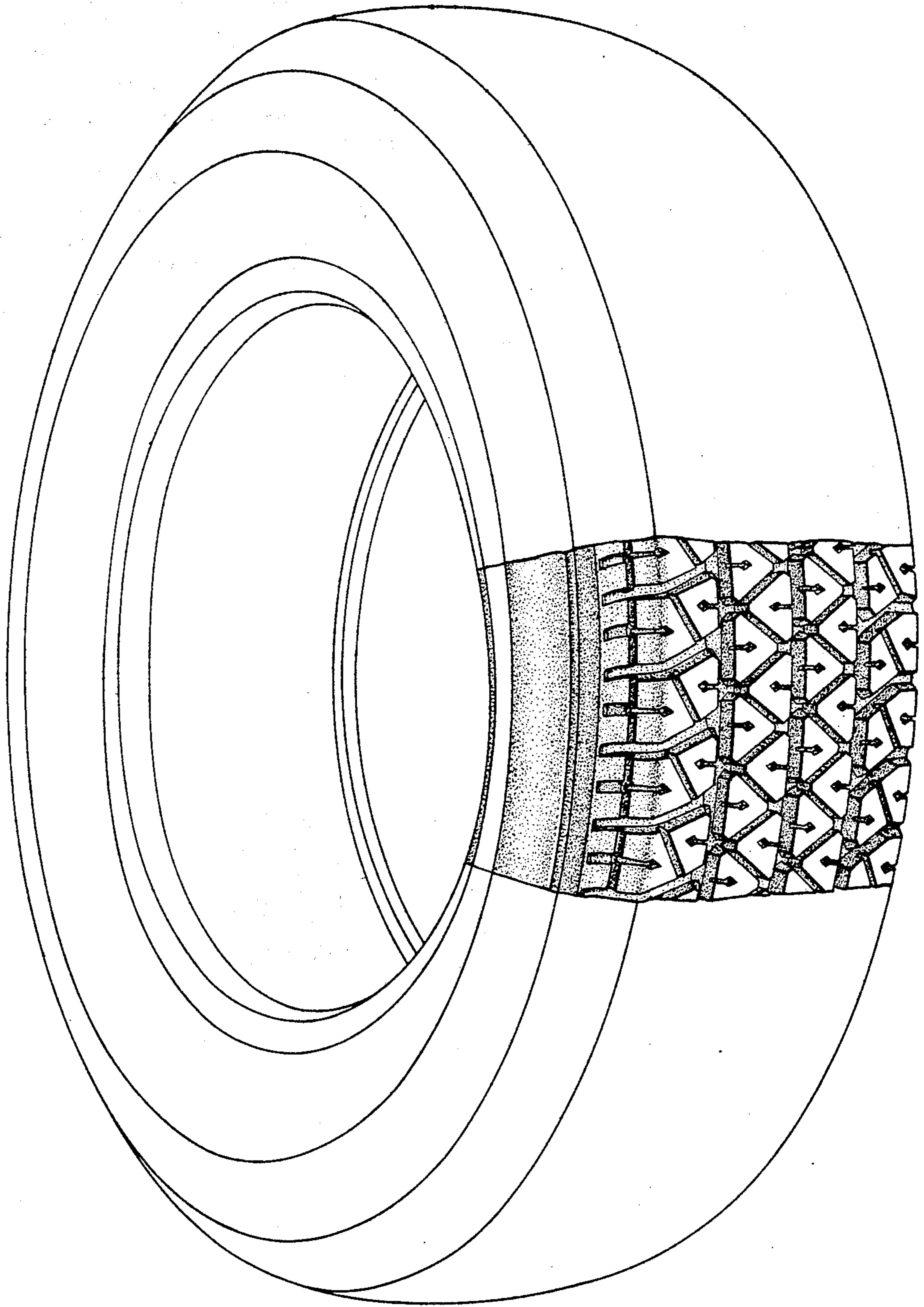


FIG. 1

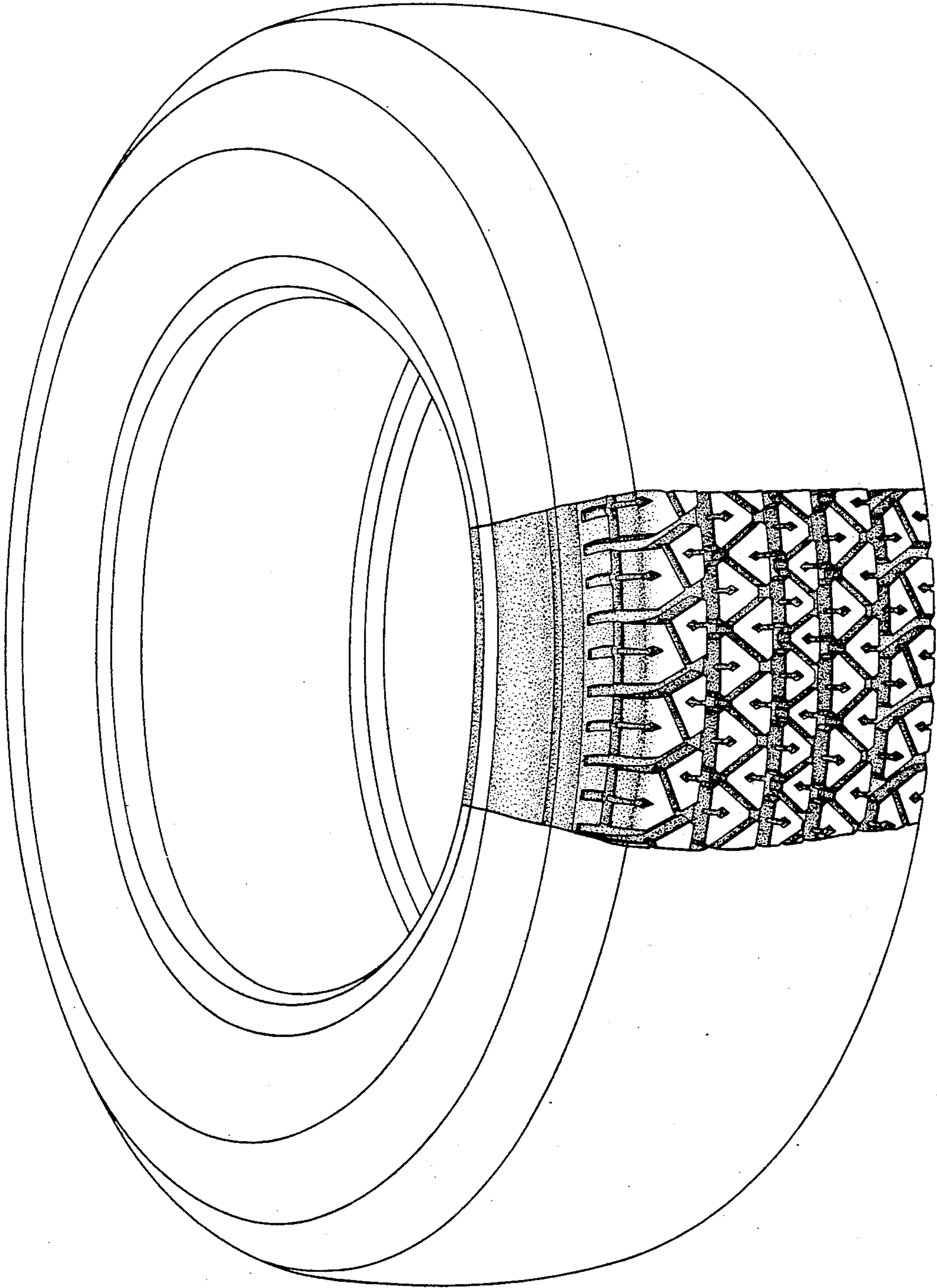


FIG. 2

UNITED STATES PATENT AND TRADEMARK OFFICE
CERTIFICATE OF CORRECTION

PATENT NO. : Des. 287,351
DATED : December 23, 1986
INVENTOR(S) : Michael W. Cain

It is certified that error appears in the above-identified patent and that said Letters Patent is hereby corrected as shown below:

On the title page

Item [56], under "References Cited" and "U.S. PATENT DOCUMENTS" insert

-- D.274,805 7/1984 Dalmas.....D12/146 --.

Also, under "References Cited" and after "U.S. PATENT DOCUMENTS" insert

-- OTHER PUBLICATIONS

Tread Design Guide, 1979, MICHELIN TRX, p. 60.

Tread Design Guide, 1984, B.F. GOODRICH Comp T,A (P), Comp T/A 60V(P), Comp T/A 70V(P), Radial T/A 60H(P) and Radial T/A 70H(P), p. 37. --.

Signed and Sealed this

Thirty-first Day of March, 1987

Attest:

DONALD J. QUIGG

Attesting Officer

Commissioner of Patents and Trademarks