

[54] MOOSE HEAD TROPHY

[76] Inventor: John Hinnen, 4810 N. Prospect Rd.,  
P.O. Box 5305, Peoria, Ill. 61601

[\*\*] Term: 14 Years

[21] Appl. No.: 593,121

[22] Filed: Mar. 26, 1984

[52] U.S. Cl. .... D11/134; D21/154

[58] Field of Search ..... D11/117, 131-136,  
D11/139-142, 157-161; D19/97; D21/154,  
184; 428/12-17

[56] References Cited

U.S. PATENT DOCUMENTS

- D. 119,636 3/1940 McPeak ..... D11/134
- D. 136,918 12/1943 Rebholz ..... D21/154

- D. 136,921 12/1943 Rebholz ..... D21/154
- D. 136,922 12/1943 Rebholz ..... D21/154
- D. 183,776 10/1958 Tichacek et al. .... D11/142 X
- D. 279,843 7/1985 Dolan ..... D21/154 X
- 4,464,440 8/1984 Dotzman ..... 428/16 X

FOREIGN PATENT DOCUMENTS

- 7410406 2/1976 France ..... 428/16

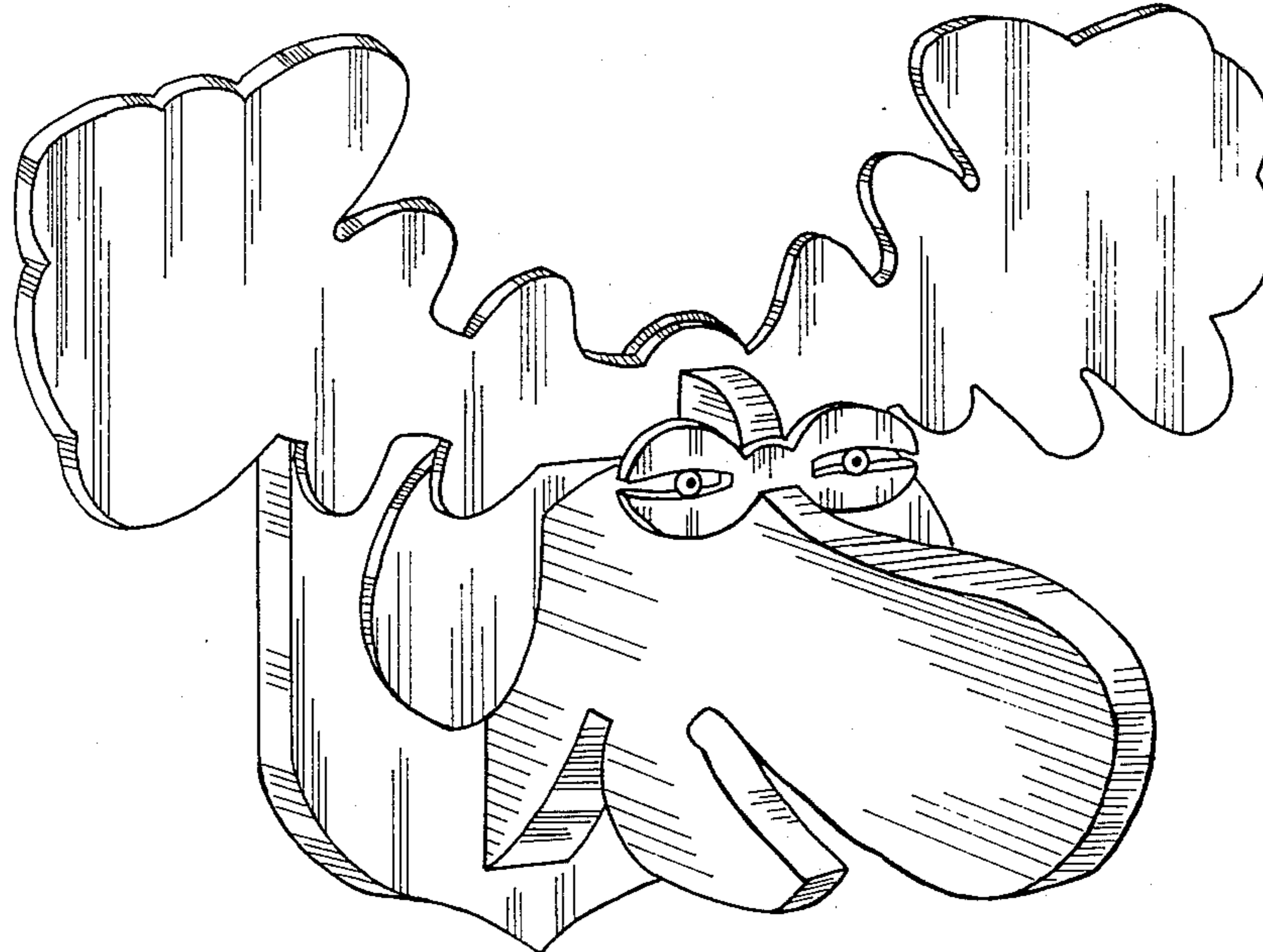
Primary Examiner—Louis S. Zarfes

[57] CLAIM

The ornamental design for a moose head trophy, as shown and described.

DESCRIPTION

FIG. 1 is a front perspective view of a moose head trophy showing my new design;  
FIG. 2 is a left side elevational view thereof; and  
FIG. 3 is a front elevational view thereof.



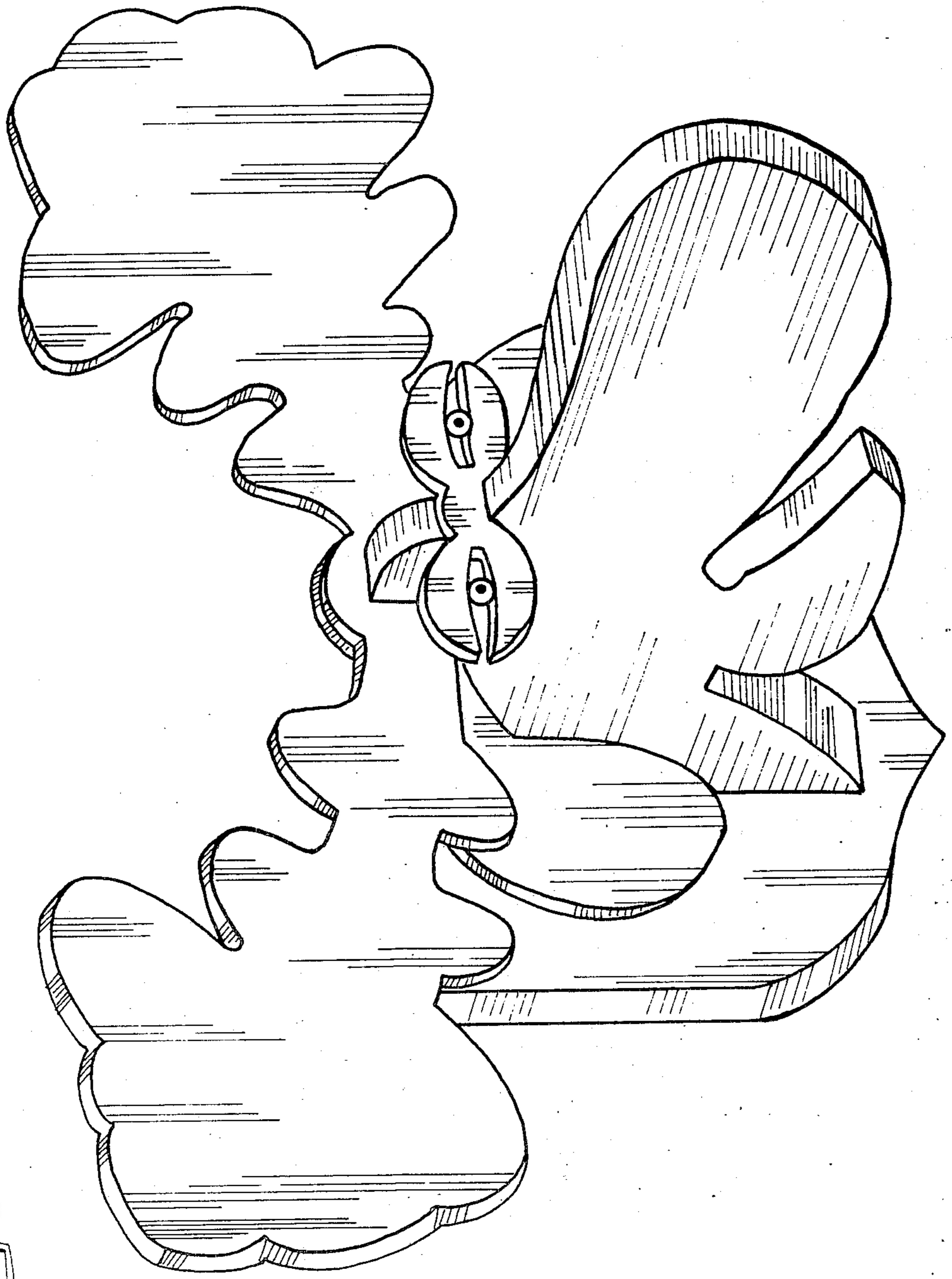
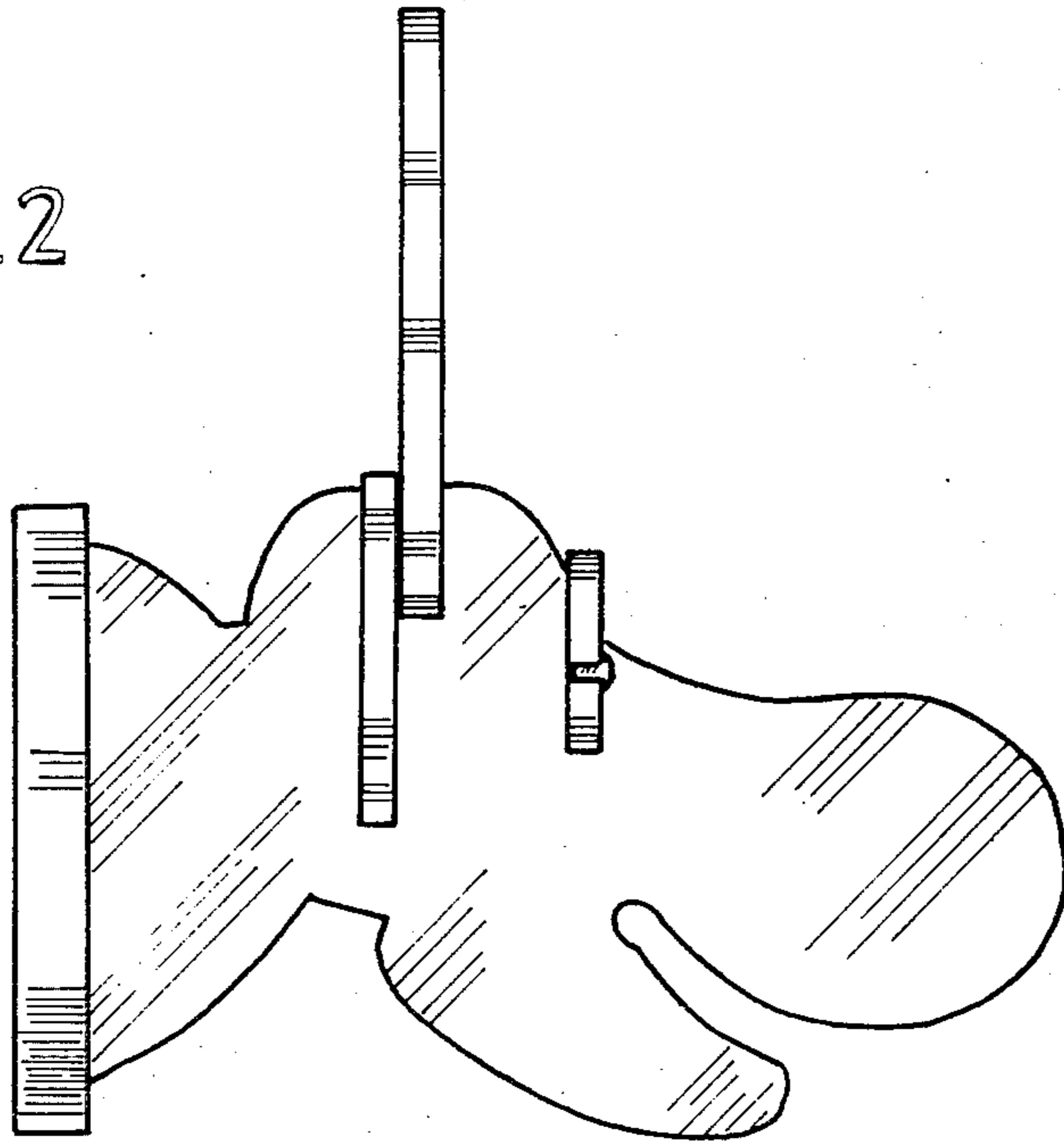


Fig. 1

*Fig. 2*



*Fig. 3*

